

INSTALLATION INSTRUCTIONS



R2231 TO SUIT MERCEDES E-CLASS W211 SERIES **PLEASE READ INSTRUCTIONS THROUGH BEFORE YOU BEGIN**

WARNING:

1. Do not, drill, cut, weld or otherwise modify the towbar.
2. If you are using electric welding on a motor vehicle, **always** check that the vehicle is not equipped with electronic engine or instrument management equipment. Failure to do so could **destroy** any onboard computers. If in doubt, check with the vehicle's manufacturer.

Max. Towing Weight: 1900Kg

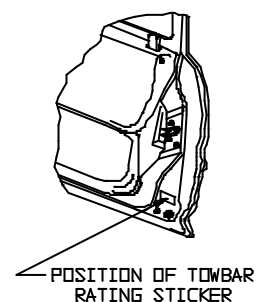
1. Ensure all hardware items have been included.
2. Remove the following from the luggage compartment.
 - a. Remove boot carpet
 - b. Remove spare tyre
 - c. Remove tyre changing kit (2 screws)
 - d. Remove rear plastic panel (6 plastic clips)
 - e. Remove side carpet panels by unscrewing 4 screws at the bottom (2 per side) and 4 trim buttons along the top (2 per side)
 - f. Remove battery sling and battery clamp (1 bolt) and push the battery to one side
 - g. Remove 4 rubber grommets (2 per side)
3. Remove rear bumper.
 - a. Remove 1 screw, 1 nut and 1 trim button from inside wheel arch.
 - b. Remove 2 screws from underneath the bumper
 - c. Remove bumper by unscrewing 2 nuts on rear panel and 4 screws on side panels (2 per side)
4. Remove rear impact beam.
 - a. Disconnect front and rear exhaust hangers.
 - b. Remove impact beam by unscrewing 8 nuts from inside rear boot panel and from under the car on either side of the chassis rails (4 per side).
5. Fit towbar.
 - a. Fasten the hitch assembly onto the rear panel of the vehicle, using the bolts, nuts, loose plates, flat washers and spring washers supplied.
 - b. Insert and fasten each side arm assembly to each sub frame rail respectively using the bolts, spring washers and flat washers supplied.
 - c. Fasten each side arm assembly to the hitch assembly using the bolts, nuts, flat washers and spring washers supplied.
 - d. Fit the rest of the hardware on as per Figure 1
6. Cut bumper relief as per Figures 3 and 4
7. Reassemble the car in the reverse of steps 3 and 2
8. Towbar rating sticker to be conspicuously located on inside rear end of the driver's door, see diagram below

NOTE: Hayman Reese recommends that you check your towball to ensure it complies with Australian Design Rules.

RECOMMENDED ASSEMBLY TORQUE LISTING

| <u>Diameter</u> | <u>Grade 8.8 Bolt</u> |
|------------------------|------------------------------|
| | Nm |
| M6 | 9.5 |
| M8 | 21.7 |
| M10 | 43.4 |
| M12 | 77.3 |
| M16 | 189.8 |

FOR TOWING PURPOSES ONLY
For towing capacity details please refer to vehicle owner's manual or to the manufacturer. Overloading can void your warranties.



INSTALLATION INSTRUCTIONS



R2231 TO SUIT MERCEDES E-CLASS W211 SERIES PLEASE READ INSTRUCTIONS THROUGH BEFORE YOU BEGIN

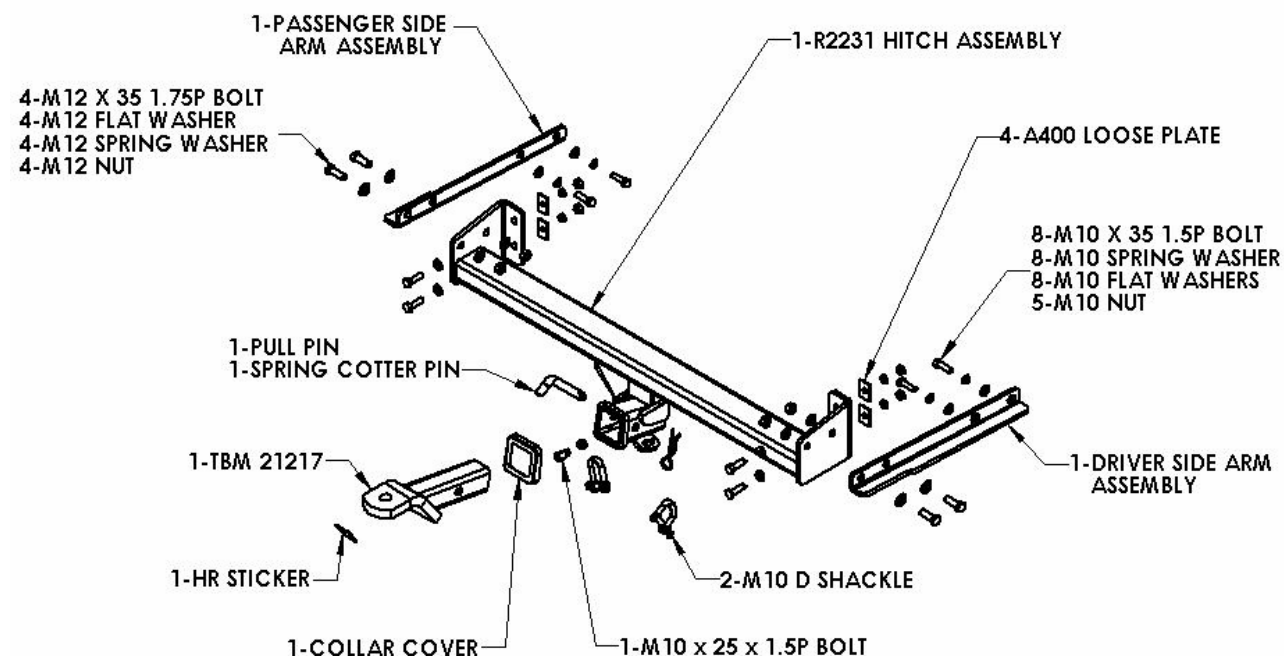


Figure-1 Final Towbar assembly

NOTE:
THESE M10 BOLTS AND WASHERS ARE FOR ASSEMBLY & LOGISTICS PURPOSES ONLY. THESE BOLTS AND WASHERS SHOULD THEN BE DISCARDED UPON INITIAL FITMENT.

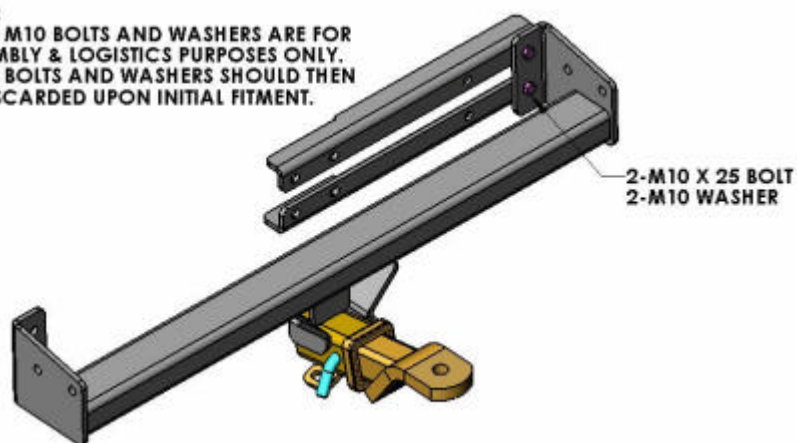


Figure-2 Packaged Towbar assembly

INSTALLATION INSTRUCTIONS

R2231 TO SUIT MERCEDES E-CLASS W211 SERIES
PLEASE READ INSTRUCTIONS THROUGH BEFORE YOU BEGIN

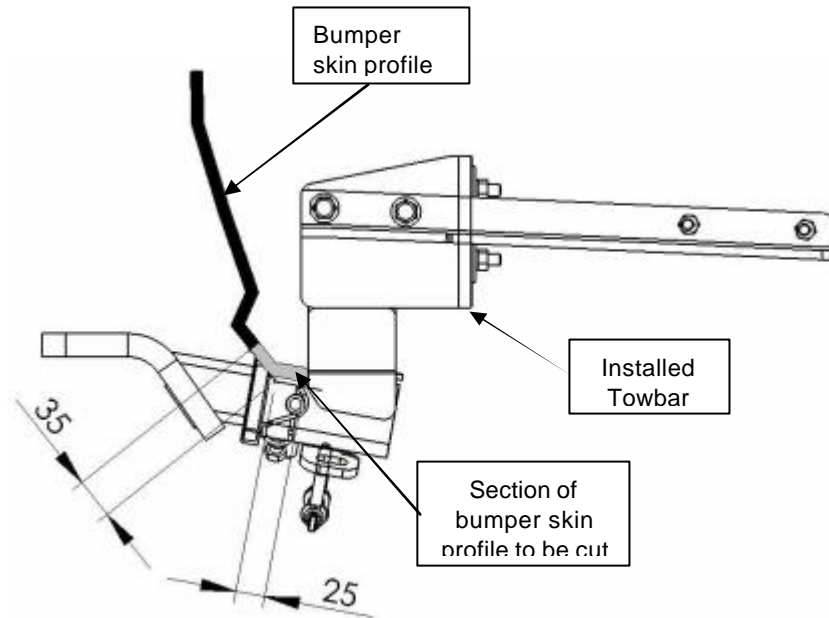


Figure-3 Profile view of bumper cut. Note all dimension are in mm

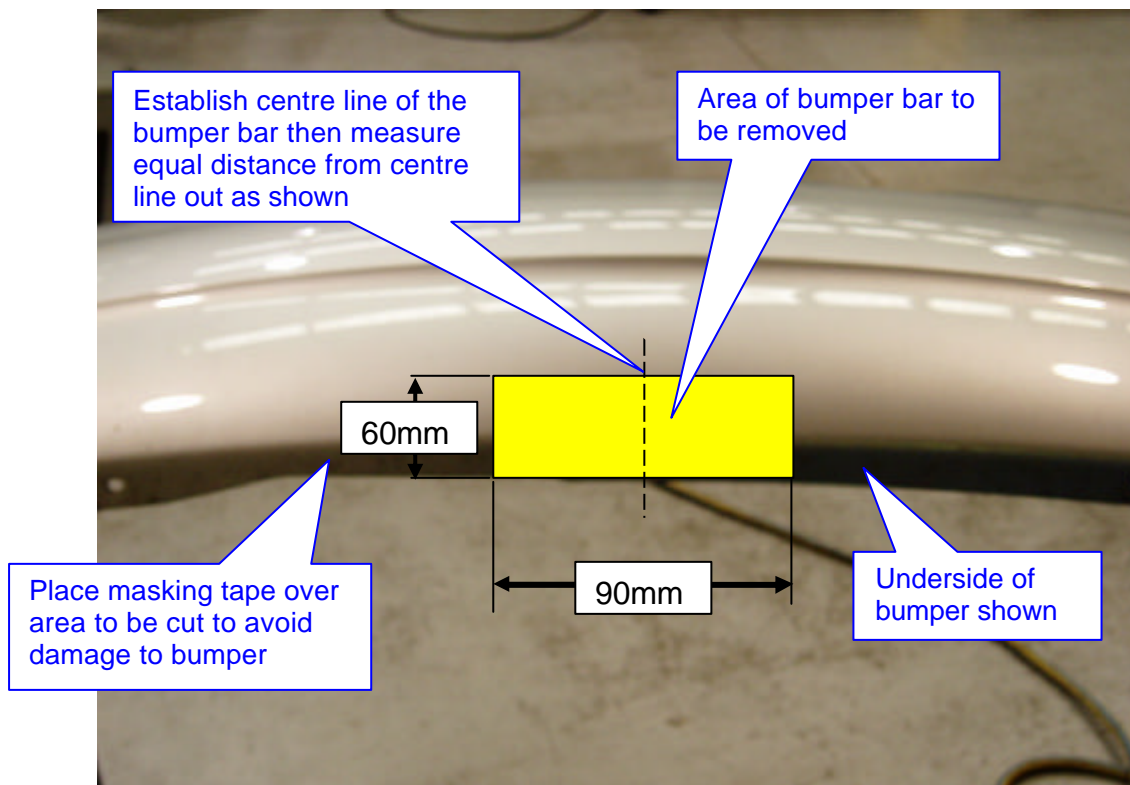


Figure-4 Front view of bumper cut