

HAYMAN REESE
PART No: **02776RW**
BMW F25 X3 2011

INSTALLATION INSTRUCTIONS

PLEASE ENSURE THAT ALL INSTRUCTIONS ARE UNDERSTOOD PRIOR TO FITMENT
PLACE THESE INSTRUCTIONS IN THE VEHICLE'S GLOVEBOX AFTER INSTALLATION IS COMPLETED



Installation Time: Approx **90** Mins

Towbar Installation Instructions

Towbar capacity

BMW F25 X3 2011 ON

Part Number **02776RW**

Max Towing Braked

2000 kg

Max Static Ball Load

200 kg

Hayman Reese (Cequent)
PO Box 4050, Dandenong South VIC 3164
Phone 1800 812 017 Email info@haymanreese.com.au

HAYMAN REESE

PART No: 02776RW

BMW F25 X3 2011

INSTALLATION INSTRUCTIONS

PLEASE ENSURE THAT ALL INSTRUCTIONS ARE UNDERSTOOD PRIOR TO FITMENT
PLACE THESE INSTRUCTIONS IN THE VEHICLES'S GLOVEBOX AFTER INSTALLATION IS COMPLETED

Warning:

1. Do not, drill, cut, weld or otherwise modify the towbar.
2. If you are using electric welding on a motor vehicle, **always** check that the vehicle is not equipped with electronic engine or instrument management equipment. Failure to do so could **destroy** any onboard computers. If in doubt, check with the vehicle's manufacturer.

General:

1. Ensure all hardware items have been included refer to assembly diagram.
2. It is recommended that the instructions are read through and completely understood before making any attempt to fit this product.
3. Be wary of any changes to vehicle designs or other accessories that may conflict with the installation of this product.
4. Before drilling ensure that the area is clear of fuel, electrical & other components.
5. All holes drilled into the body panels shall have all burrs & swarf removed then coated with a suitable rust preventative paint.
6. The high tensile fasteners supplied with this product were used to achieve the specified rating. If replacement is required ensure that fasteners of the same rating & quality are used. Contact an authorised **Hayman Reese** dealer if further information is required.
7. Ensure that all hardware is fastened to torque list below check fasteners on regular basis.
8. Towbar load rating sticker provided with this product shall be conspicuously located on inside rear end of the driver's door. **(See diagram below).**
9. Hayman Reese recommends that you check your tow ball to ensure that it complies with the Australian standards **AS 4177.2**.
10. **PLEASE NOTE:** It is advised to remove your lug or tbn when not actually towing so as to produce a clear view of the vehicles registration plate if obscured, and to also provide maximum available departure angle.
11. Pull Pin must be fit in down position.

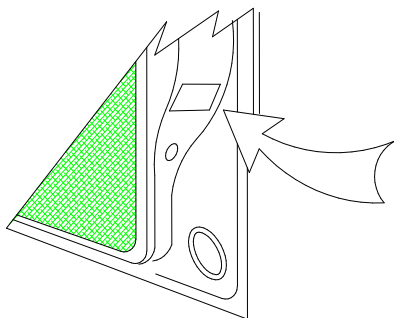
Tow bar Maintenance and Care.

Hayman Reese recommends that bolt torque's, as listed below, are routinely and regularly inspected and checked for correct tension. Replace any worn or defective parts.

We recommended to remove Tow Ball Mounts (TBM's, tongues or lugs) when not being used for any considerable length of time.

So as to avoid injury, when not towing it is suggested that the tongue, Pull Pin and R-clip are removed then stored in a safe, clean and dry place, away from excessive moisture.

Hitch Pull Pins and spring "R" clips are regularly checked for proper installation. Replace any worn or defective parts.



Place load rating sticker
inside driver's door here

RECOMMENDED ASSEMBLY TORQUE LISTING

Diameter Grade 8.8 Bolt

M6	9.5 Nm
M8	21.7 Nm
M10	43.4 Nm
M12	93 Nm
M14	146 Nm
M16	189.8 Nm

FOR TOWING PURPOSES ONLY

For towing capacity details please refer to vehicle owner's manual or to the manufacturer. Overloading can void your warranties.

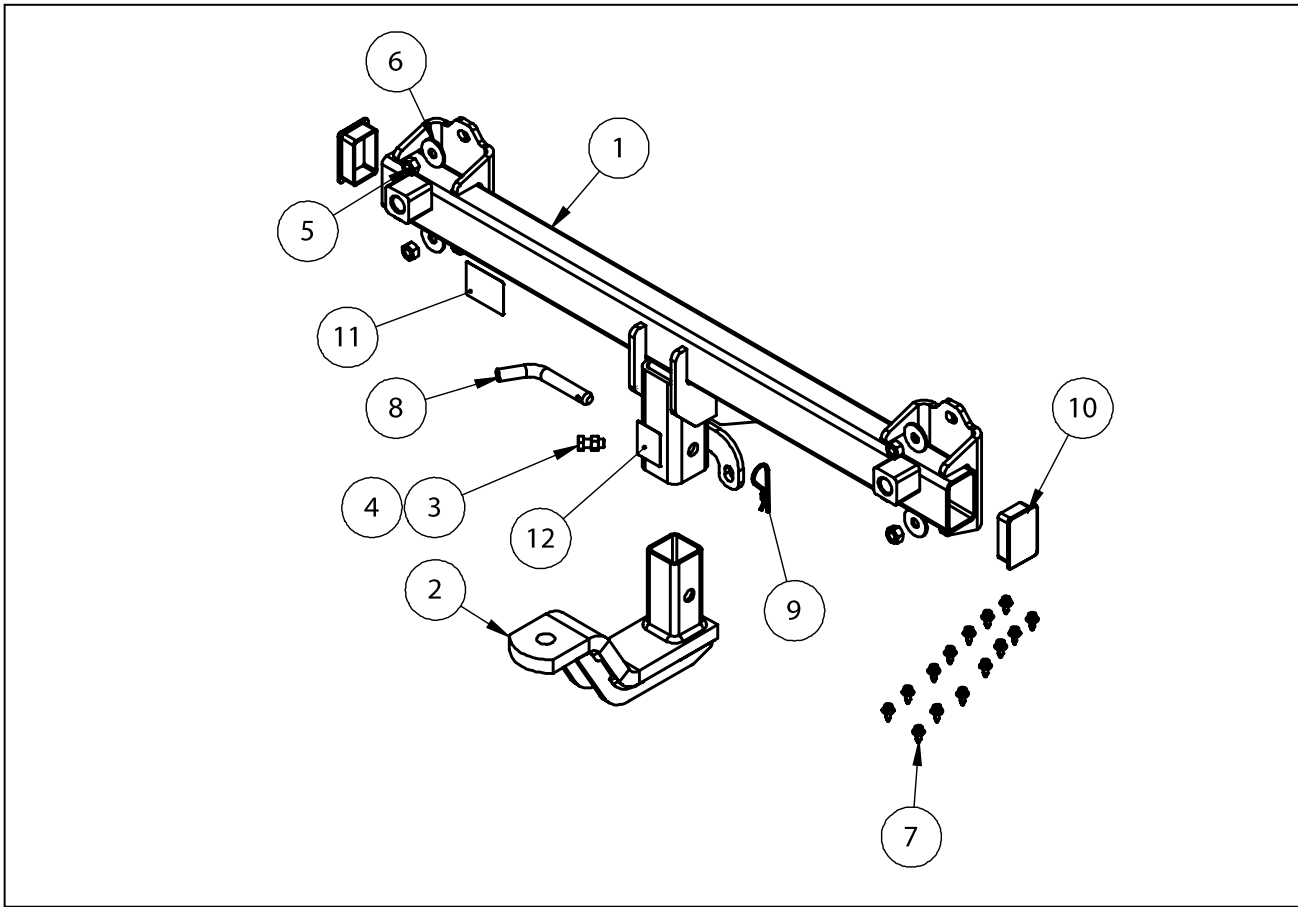
HAYMAN REESE

PART No: 02776RW

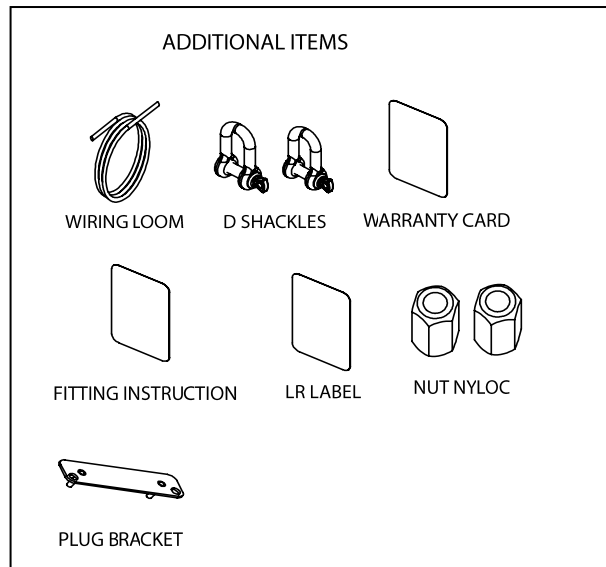
BMW F25 X3 2011

INSTALLATION INSTRUCTIONS

PLEASE ENSURE THAT ALL INSTRUCTIONS ARE UNDERSTOOD PRIOR TO FITMENT
PLACE THESE INSTRUCTIONS IN THE VEHICLES'S GLOVEBOX AFTER INSTALLATION IS COMPLETED



QTY	DESCRIPTION	ITEM NO
1	WELDED ASSEMBLY	1
1	TBM ASSY	2
1	BOLT M10-1.50 x25	3
1	HEX NUT M10x1.5	4
4	M12x1.75 HEX NUT	5
4	WASHER FT M12x37x3mm	6
14	SCRIVET CFZ-020-0034	7
1	PULL PIN	8
1	R CLIP	9
2	PLASTIC END CAP	10
1	ACRYLIC CP LABEL	11
1	HR STICKER	12



INSTALLATION INSTRUCTIONS

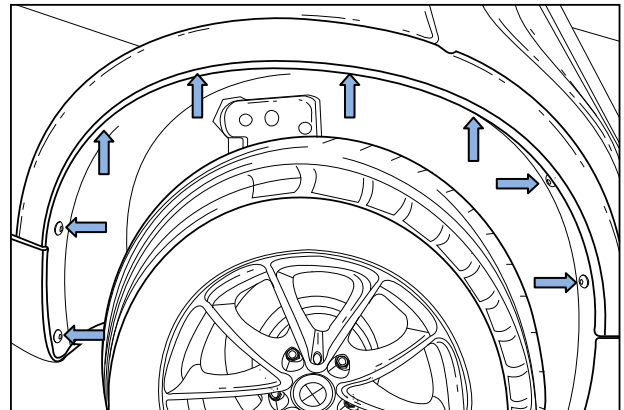
PLEASE ENSURE THAT ALL INSTRUCTIONS ARE UNDERSTOOD PRIOR TO FITMENT

PLACE THESE INSTRUCTIONS IN THE VEHICLES'S GLOVEBOX AFTER INSTALLATION IS COMPLETED

1. Remove 7x scrivets from Wheel Arc Cover.
Also 1x Screw from Wheel Arc and remove
Wheel Arc Cover for both LH & RH side.

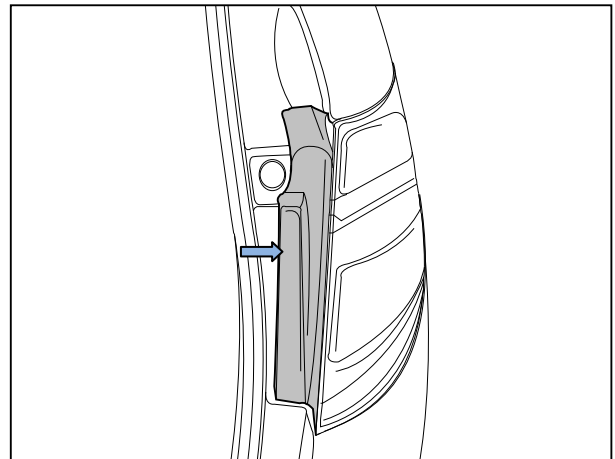
Note: Scrivets in cover maybe one time use only.
Therefore use new Scrivets provided when
reassembling cover to vehicle.

Remove 2x Screws located behind Wheel Arc
Cover for both LH & RH side.



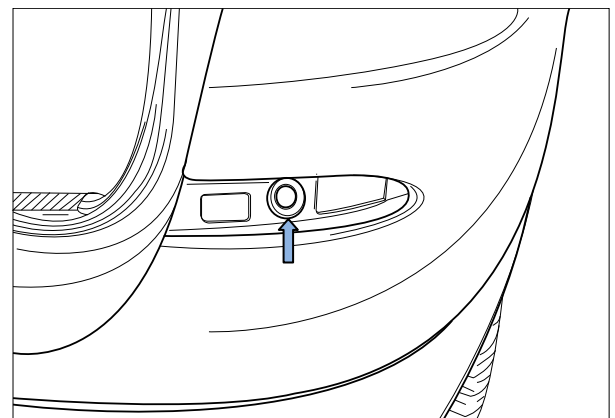
2. Open Boot and remove Plastic Side Cover
from Rear Lights to access 2x Nuts Securing
Light, remove nuts and firmly pull on lights to
remove for both the LH & RH side.

Remove Screw located under rear light for both
the RH & LH side.



3. Remove Rear Bumper reflectors and remove 1x
Screw located under reflectors.

Remove all Screw located on the underside of
Bumper Bar.



HAYMAN REESE

PART No: 02776RW

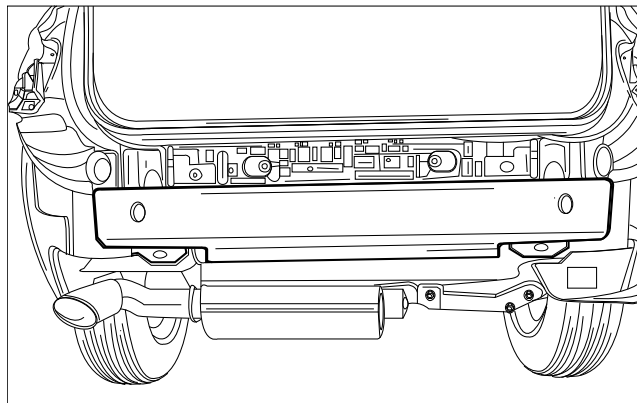
BMW F25 X3 2011

INSTALLATION INSTRUCTIONS

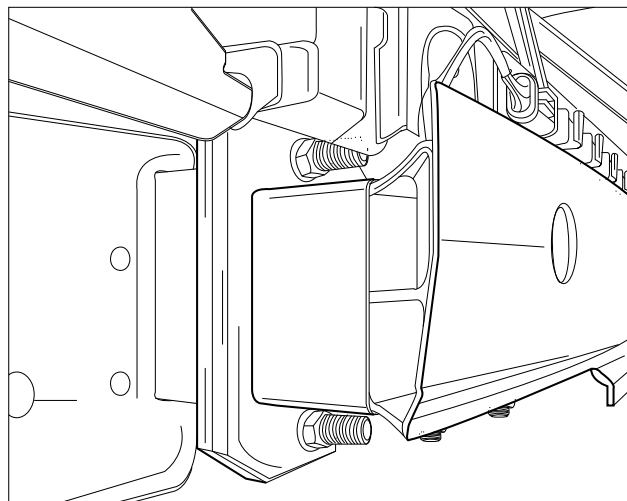
PLEASE ENSURE THAT ALL INSTRUCTIONS ARE UNDERSTOOD PRIOR TO FITMENT

PLACE THESE INSTRUCTIONS IN THE VEHICLES'S GLOVEBOX AFTER INSTALLATION IS COMPLETED

4. Loosen the Plastic Bumper Support around the Rear Impact Beam to gain access to the Rear Impact beam Mounting Points.

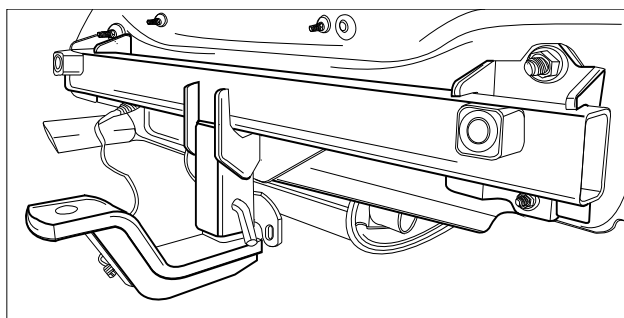


5. Remove 2 Nuts per side and discard the Rear Impact Beam from the vehicle.



6. Mount the Towbar to the vehicle using the same Mounting Points the Rear Impact Beam utilised.

Using M12x37x3mm Flat Washer and M12-1.5 Hex Nut loosely secure the Towbar to the vehicle.



HAYMAN REESE

PART No: 02776RW

BMW F25 X3 2011

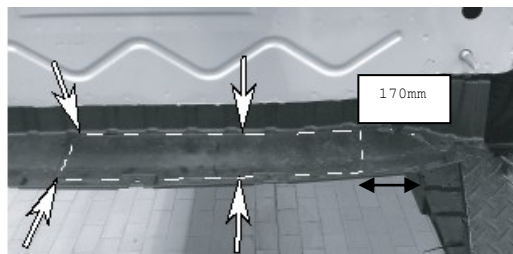
INSTALLATION INSTRUCTIONS

PLEASE ENSURE THAT ALL INSTRUCTIONS ARE UNDERSTOOD PRIOR TO FITMENT

PLACE THESE INSTRUCTIONS IN THE VEHICLES'S GLOVEBOX AFTER INSTALLATION IS COMPLETED

7. Ensure Towbar is square to vehicle and tighten Bolts to the specified torque setting on page2.

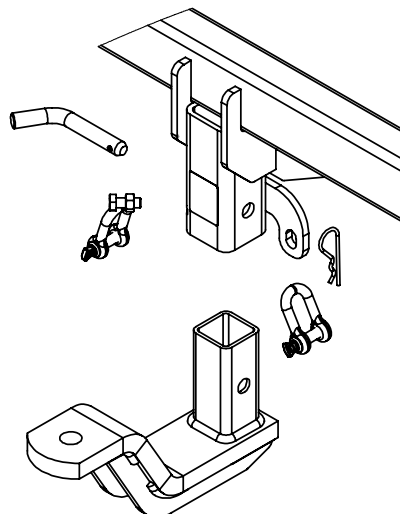
8. Cut rear underside Bumper / Skid Plate following the factory marked cut out line stopping 170mm before the end of the lines on the Driver's side as seen in the image on the right.



9. Install the vehicle's towbar wiring loom as per the fitting instruction.

10. Refit Rear Bumper to vehicle in reverse order of removal.

11. Attach TBM to Towbar with Pull Pin and Clip Use M10 Bolt and M10 Nut to prevent any rattling of the TBM.



HAYMAN REESE
PART No: 100700-WL
BMX X3

INSTALLATION INSTRUCTIONS

PLEASE ENSURE THAT INSTRUCTIONS ARE UNDERSTOOD PRIOR TO FITMENT

Wiring Loom Installation Instructions

BMX X3
Part No: 100700-WL

ECU Required: 04828
Tail Harness Length Required: 1200mm

Note: Factory RPA cannot be overridden, however it can be disable through a switch on the vehicle dash.

Wiring Loom Installation Time: Approx 30 Mins

Issue Date 19-07-11

Page 1

Part No: 100700-WL

Hayman Reese (Cequent)
PO Box 4050, Dandenong South VIC 3164
Phone 1800 812 017 Email info@haymanreese.com.au

www.haymanreese.com.au

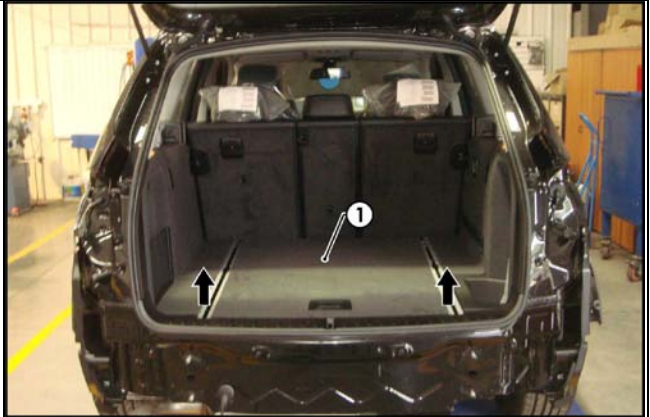


HAYMAN REESE
PART No: 100700-WL
BMX X3

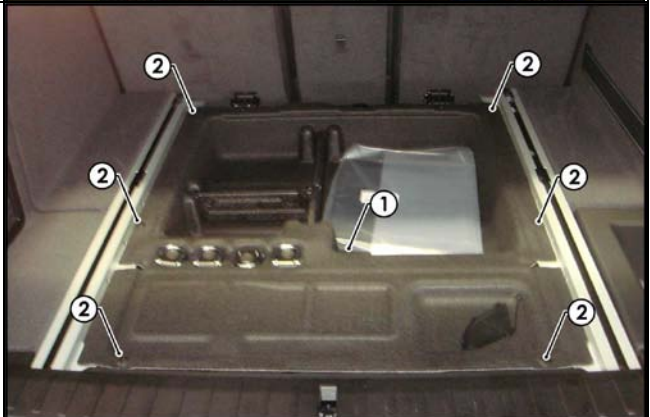
INSTALLATION INSTRUCTIONS

PLEASE ENSURE THAT INSTRUCTIONS ARE UNDERSTOOD PRIOR TO FITMENT

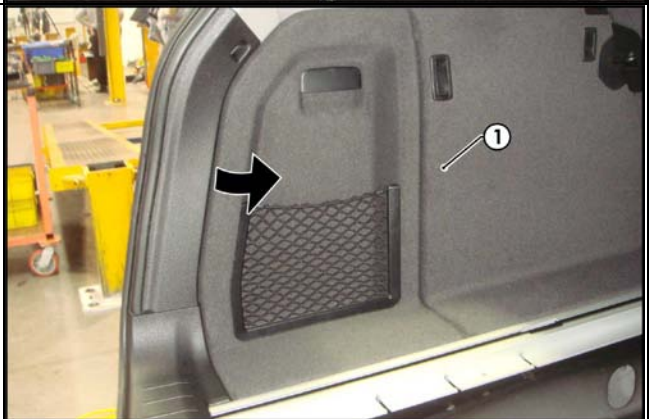
1. In the luggage compartment, remove the floor carpet cover (1).



2. Remove the centre tool tray (1) by first releasing the clips (2).



3. Remove the LHS luggage compartment trim (1).



Issue Date 19-07-11

Page 2

Part No: 100700-WL

Hayman Reese (Cequent)
PO Box 4050, Dandenong South VIC 3164
Phone 1800 812 017 Email info@haymanreese.com.au

www.haymanreese.com.au

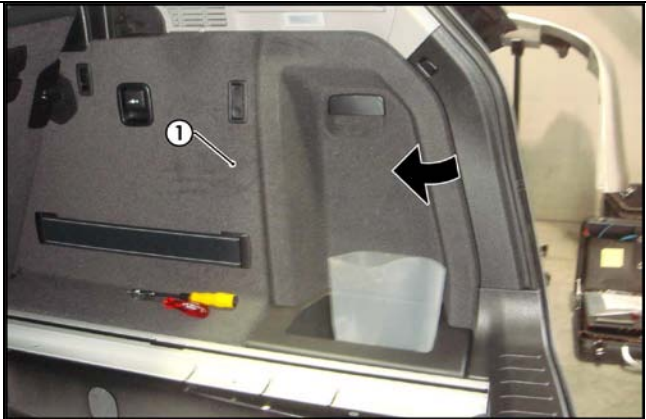


HAYMAN REESE
PART No: 100700-WL
BMX X3

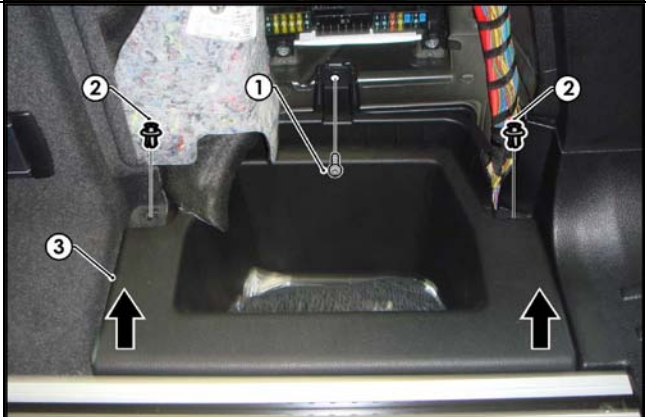
INSTALLATION INSTRUCTIONS

PLEASE ENSURE THAT INSTRUCTIONS ARE UNDERSTOOD PRIOR TO FITMENT

4. Remove the RHS luggage compartment trim (1).



5. On the RHS of the luggage compartment, release the T20 torx bit screw (1) and the two scrivenets (2).
6. Remove the RHS storage compartment (3).



7. Dislodge the RHS carpet cover (1) by first releasing the clip (2).



Issue Date 19-07-11

Page 3

Part No: 100700-WL

Hayman Reese (Cequent)
PO Box 4050, Dandenong South VIC 3164
Phone 1800 812 017 Email info@haymanreese.com.au

www.haymanreese.com.au

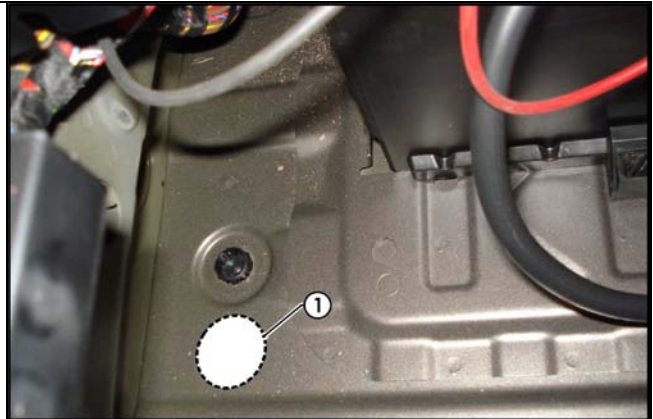


HAYMAN REESE
PART No: 100700-WL
BMX X3

INSTALLATION INSTRUCTIONS

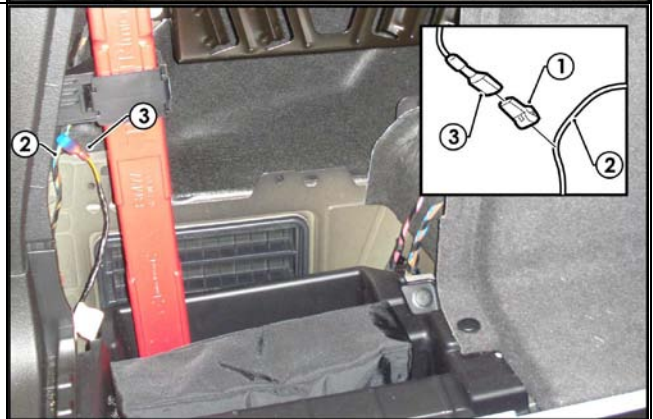
PLEASE ENSURE THAT INSTRUCTIONS ARE UNDERSTOOD PRIOR TO FITMENT

8. On the RHS rear quarter of the luggage compartment floor, drill a Ø31mm in the vehicle sheet metal (1).
9. File any rough or sharp edges and spray on rust inhibitor.

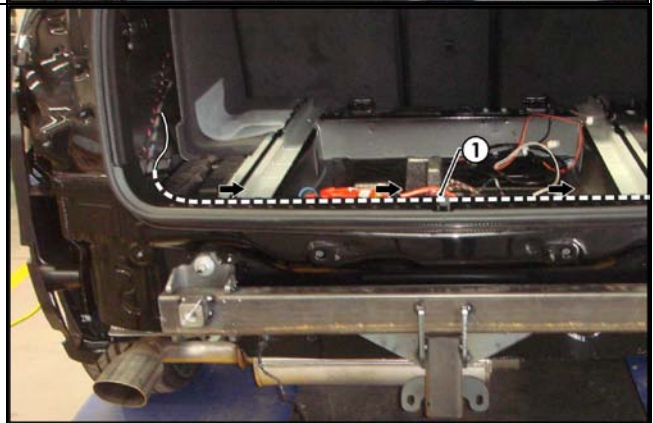


10. On the LHS of the luggage compartment, following the table below, connect the ezy tap (1) to the vehicle harness wire (2) and then connect the trailer patch terminal (3) to the corresponding wire (2).

Function	Trailer Patch	Vehicle Connector
L.IND	YELLOW / BLACK	BLUE / GREEN



11. Route the trailer patch (P/No: 100700-WL) (1) along the rear of the luggage compartment and towards the RHS tail light area.



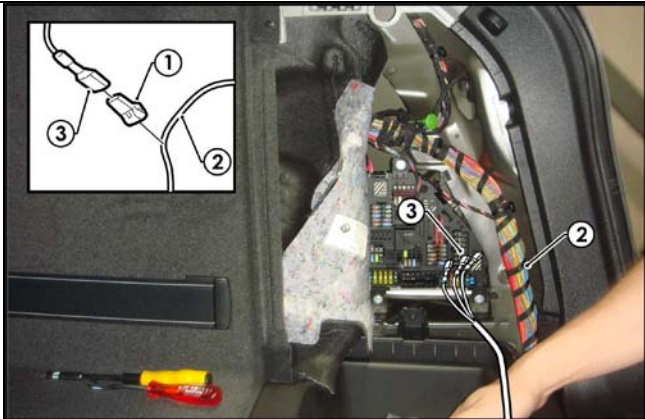
HAYMAN REESE
PART No: 100700-WL
BMX X3

INSTALLATION INSTRUCTIONS

PLEASE ENSURE THAT INSTRUCTIONS ARE UNDERSTOOD PRIOR TO FITMENT

12. Following the table below, connect the ezy taps (1) to the vehicle harness wires (2) and then connect the trailer patch terminals (3) to the corresponding wires (2).

Function	Trailer Patch	Vehicle Connector
R.IND	GREEN / BLACK	BLUE / BROWN
REVERSE	BLACK / WHITE	BLUE / BLACK
TAIL / BRAKES	BROWN / BLACK	YELLOW

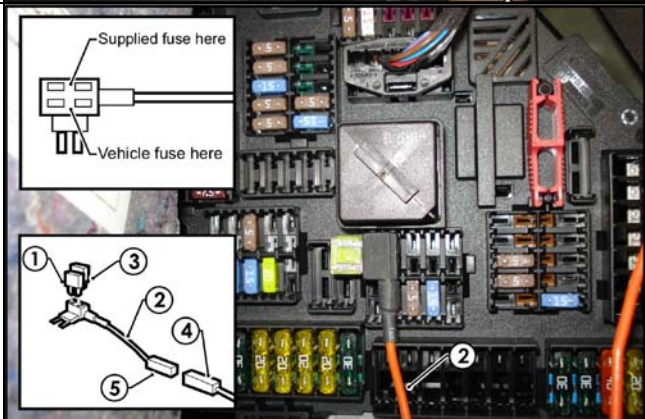


13. Remove the vehicle 20A 'Trailer' fuse (1) and insert it into the lower slot of the add-a-fuse harness (2).

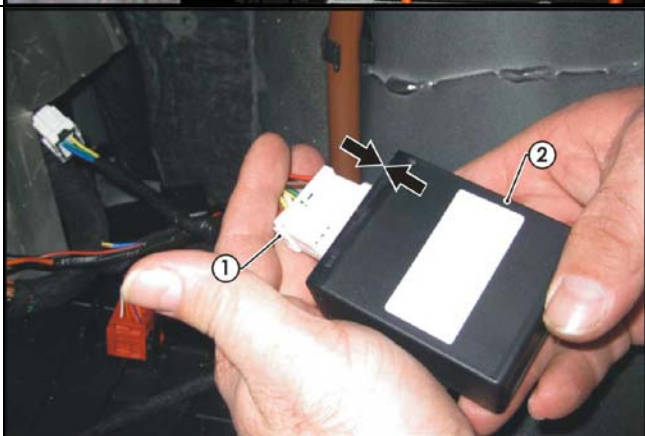
14. Insert the supplied 20A fuse (3) into the upper fuse slot on the add-a-fuse harness (2).

15. Connect the trailer patch 'ORANGE' power wire 1-way connector (4) to the add-a-fuse 1-way mating connector (5).

16. Connect the add-a-fuse to the vehicle fuse panel into the now unoccupied fuse location, in the orientation shown.



17. Connect the trailer patch 12-way connector (1) to the ECU (No: 04828) (2).



Issue Date 19-07-11

Page 5

Part No: 100700-WL

Hayman Reese (Cequent)
 PO Box 4050, Dandenong South VIC 3164
 Phone 1800 812 017 Email info@haymanreese.com.au

www.haymanreese.com.au

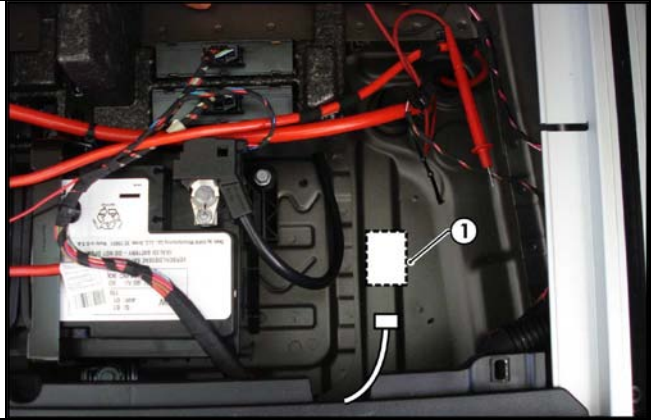


HAYMAN REESE
PART No: 100700-WL
BMX X3

INSTALLATION INSTRUCTIONS

PLEASE ENSURE THAT INSTRUCTIONS ARE UNDERSTOOD PRIOR TO FITMENT

18. Adhere the ECU to the vehicle sheet metal (1) next to rear battery.



19. Secure the trailer patch ground ring terminal (1) to the vehicle sheet metal, using a self tapping tech screw, on the RHS rear of the luggage compartment.



20. Mount the trailer socket (1) to the towbar mounting bracket using M4 fasteners (not supplied).
21. Route the tail patch (2) up through the previously drilled out grommet hole and towards the trailer patch.
22. Ensure the tail harness grommet is seated correctly and secured in place using a cable tie (not supplied).



Issue Date 19-07-11

Page 6

Part No: 100700-WL

Hayman Reese (Cequent)
PO Box 4050, Dandenong South VIC 3164
Phone 1800 812 017 Email info@haymanreese.com.au

www.haymanreese.com.au

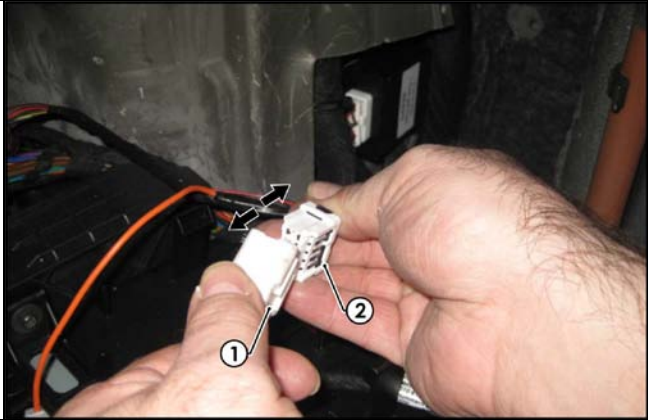


HAYMAN REESE
PART No: 100700-WL
BMX X3

INSTALLATION INSTRUCTIONS

PLEASE ENSURE THAT INSTRUCTIONS ARE UNDERSTOOD PRIOR TO FITMENT

23. Connect the trailer patch 8-way connector (1) to the tail harness (tail length 1200mm) mating connector (2).



24. Test the Trailer patch function using a Light Board or multimeter.
25. Secure all Harnesses using cables ties (not supplied).
26. Re-fit all removed parts and secure all fasteners, ensuring there are no squeaks or rattles.
27. Place the instructions in the glove box after fitment.

Issue Date 19-07-11

Page 7

Part No: 100700-WL

Hayman Reese (Cequent)
PO Box 4050, Dandenong South VIC 3164
Phone 1800 812 017 Email info@haymanreese.com.au

www.haymanreese.com.au

