

HAYMAN REESE
PART No: 02951SMW
MITSUBISHI LANCER SHADOW MOUNT 10/2011 ON

INSTALLATION INSTRUCTIONS

PLEASE ENSURE THAT ALL INSTRUCTIONS ARE UNDERSTOOD PRIOR TO FITMENT
PLACE THESE INSTRUCTIONS IN THE VEHICLE'S GLOVEBOX AFTER INSTALLATION IS COMPLETE



Installation Time: Approx 30 Mins

Towbar Installation Instructions

Towbar capacity

MITSUBISHI LANCER SHADOW MOUNT 10/2011 ON

Part Number 02951SMW

Max Towing Braked 1000 kg
Max Static Ball Load 100 kg

Hayman Reese (Cequent)
PO Box 4050, Dandenong South VIC 3164
Phone 1800 812 017 Email info@haymanreese.com.au

HAYMAN REESE

PART No: 02951SMW

mitsubishi lancer shadow mount 10/2007 on

INSTALLATION INSTRUCTIONS

PLEASE ENSURE THAT ALL INSTRUCTIONS ARE UNDERSTOOD PRIOR TO FITMENT
PLACE THESE INSTRUCTIONS IN THE VEHICLES'S GLOVEBOX AFTER INSTALLATION IS COMPLETE

Warning:

1. Do not, drill, cut, weld or otherwise modify the towbar.
2. If you are using electric welding on a motor vehicle, **always** check that the vehicle is not equipped with electronic engine or instrument management equipment. Failure to do so could **destroy** any onboard computers. If in doubt, check with the vehicle's manufacturer.

General:

1. Ensure all hardware items have been included refer to assembly diagram.
2. It is recommended that the instructions are read through and completely understood before making any attempt to fit this product.
3. Be wary of any changes to vehicle designs or other accessories that may conflict with the installation of this product.
4. Before drilling ensure that the area is clear of fuel, electrical & other components.
5. All holes drilled into the body panels shall have all burrs & swarf removed then coated with a suitable rust preventative paint.
6. The high tensile fasteners supplied with this product were used to achieve the specified rating. If replacement is required ensure that fasteners of the same rating & quality are used. Contact an authorised **Hayman Reese** dealer if further information is required.
7. Ensure that all hardware is fastened to torque list below check fasteners on regular basis.
8. Towbar load rating sticker provided with this product shall be conspicuously located on inside rear end of the driver's door. **(See diagram below)**.
9. Hayman Reese recommends that you check your tow ball to ensure that it complies with the Australian standards **AS 4177.2**.
10. **PLEASE NOTE:** It is advised to remove your lug or tbm when not actually towing so as to produce a clear view of the vehicles registration plate if obscured, and to also provide maximum available departure angle.
11. Pull Pin must be fit in down position.

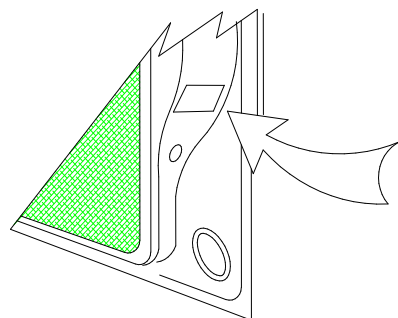
Tow bar Maintenance and Care.

Hayman Reese recommends that bolt torque's, as listed below, are routinely and regularly inspected and checked for correct tension. Replace any worn or defective parts.

We recommended to remove Tow Ball Mounts (TBM's, tongues or lugs) when not being used for any considerable length of time.

So as to avoid injury, when not towing it is suggested that the tongue, Pull Pin and R-clip are removed then stored in a safe, clean and dry place, away from excessive moisture.

Hitch Pull Pins and spring "R" clips are regularly checked for proper installation. Replace any worn or defective parts.



Place load rating sticker
inside driver's door here

RECOMMENDED ASSEMBLY TORQUE LISTING

Diameter Grade 8.8 Bolt

M6	9.5 Nm
M8	21.7 Nm
M10	43.4 Nm
M12	77.3 Nm
M14	146 Nm
M16	189.8 Nm

FOR TOWING PURPOSES ONLY

For towing capacity details please refer to vehicle owner's manual or to the manufacturer. Overloading can void your warranties.

HAYMAN REESE

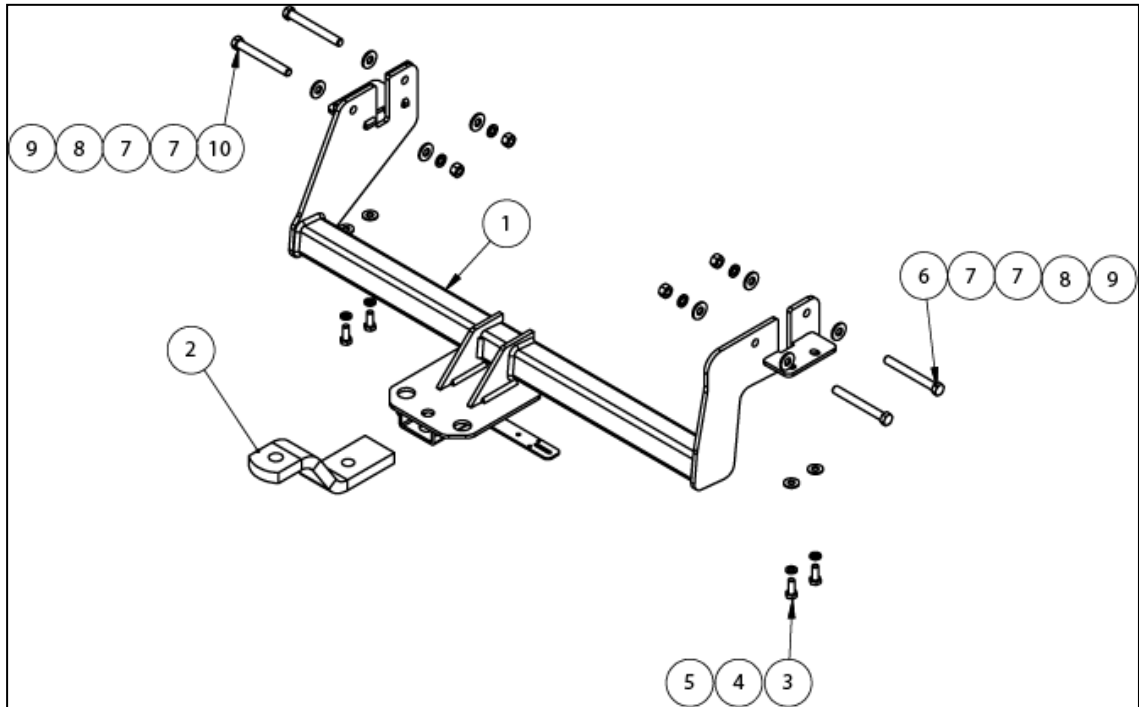
PART No: 02951SMW

MITSUBISHI LANCER SHADOW MOUNT 10/2007 ON

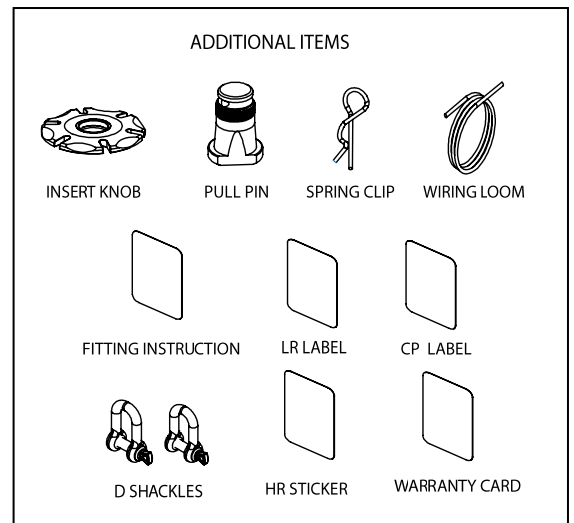
INSTALLATION INSTRUCTIONS

PLEASE ENSURE THAT ALL INSTRUCTIONS ARE UNDERSTOOD PRIOR TO FITMENT

PLACE THESE INSTRUCTIONS IN THE VEHICLE'S GLOVEBOX AFTER INSTALLATION IS COMPLETE



QTY	DESCRIPTION	ITEM NO
1	WELDED ASSEMBLY	1
1	LUG ASSEMBLY	2
4	BOLT M10x1.25 x25	3
4	M10x3.5x2.2 SPRING WASHER	4
4	WASHER FLAT M10x23x2	5
2	M12x110 BOLT	6
8	WASHER M12x28.8x3mm	7
4	WSHR SPRING FT SEC M12x4.0x2.5mm	8
4	M12x1.75 HEX NUT PC8	9
2	BOLT M12-1.75x130	10



HAYMAN REESE

PART No: 02951SMW

MITSUBISHI LANCER SHADOW MOUNT 10/2007 ON

INSTALLATION INSTRUCTIONS

PLEASE ENSURE THAT ALL INSTRUCTIONS ARE UNDERSTOOD PRIOR TO FITMENT

PLACE THESE INSTRUCTIONS IN THE VEHICLE'S GLOVEBOX AFTER INSTALLATION IS COMPLETE

1. Remove 2 M6 Bolts from each side of the Boot Cavity.



2. Remove 2 Scrivets from the Wheel Arch, one from each side.
Remove 4 M6 Bolts from Wheel Arch, two from each side.



3. Remove 2 M6 Bolts from inside the Wheel Arch, repeat at the other side of vehicle.



HAYMAN REESE

PART No: 02951SMW

MITSUBISHI LANCER SHADOW MOUNT 10/2007 ON

INSTALLATION INSTRUCTIONS

PLEASE ENSURE THAT ALL INSTRUCTIONS ARE UNDERSTOOD PRIOR TO FITMENT

PLACE THESE INSTRUCTIONS IN THE VEHICLES'S GLOVEBOX AFTER INSTALLATION IS COMPLETE

4. Remove 2 Plastic Trim Plugs from inside and outside of the Mud Guard (If applicable); same to the other side of vehicle.



5. Remove 4 Rubber Plug, two from each side after the removal of Mud Guard.



6. Remove 2 Plastic Trim Buttons from the bottom of the Bumper.

Note: Disconnect any Wiring (reverse Sensor) from the Bumper. Flex Bumper out at the sides then Pull rearward to remove ,Some force may be required .Store the Bumper in a safe location

CAUTION –TWO PERSON LIFT REQUIRED



HAYMAN REESE

PART No: 02951SMW

MITSUBISHI LANCER SHADOW MOUNT 10/2007 ON

INSTALLATION INSTRUCTIONS

PLEASE ENSURE THAT ALL INSTRUCTIONS ARE UNDERSTOOD PRIOR TO FITMENT

PLACE THESE INSTRUCTIONS IN THE VEHICLES'S GLOVEBOX AFTER INSTALLATION IS COMPLETE

7. Lower the Rear Muffler via 3 Rubber Hangers to gain better access.



8. Offer Towbar to vehicle sub frame so that holes in side tabs align with M10 Captive Nuts in underside of vehicle Chassis.
Fit Loosely the M10x25 Bolts supplied through slots in the Towbar into Captive Nuts located on the underside of the Chassis Rails.



9. Align horizontal Holes in side Plates with the Captive Bushes on the horizontal face of the Vehicle chassis rails as shown in the Picture.

Use the Packer on the Passenger side as shown in the assembly drawing in page 3.



HAYMAN REESE

PART No: 02951SMW

MITSUBISHI LANCER SHADOW MOUNT 10/2007 ON

INSTALLATION INSTRUCTIONS

PLEASE ENSURE THAT ALL INSTRUCTIONS ARE UNDERSTOOD PRIOR TO FITMENT

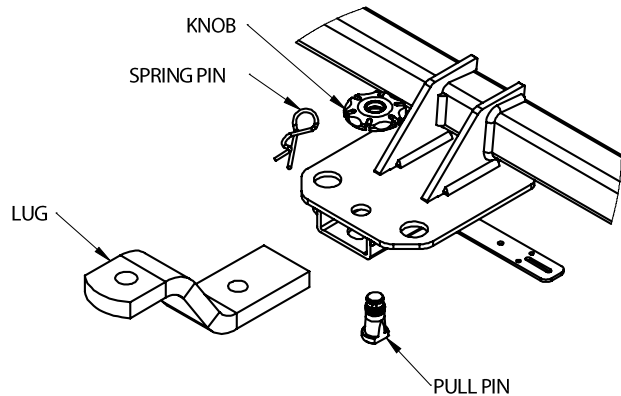
PLACE THESE INSTRUCTIONS IN THE VEHICLE'S GLOVEBOX AFTER INSTALLATION IS COMPLETE

10. Feed M12x110 Bolts with Flat and Spring Washers as shown in the Picture through outer face of Chassis Rails in four Places ensuring that a Flat Washer is placed on the inner face of the Head of the Bolt.



11. Tighten all fasteners to Torque specifications in Page 2.
12. Ensure to lift the Exhaust System into place.
13. Refit the Bumper in the reverse order of removal.

14. Slide Lug into sleeve of Towbar, secure with Pull Pin, Knob and Spring Pin.



HAYMAN REESE
PART No: 100835-WL
MITSUBISHI LANCER MY12

INSTALLATION INSTRUCTIONS

PLEASE ENSURE THAT INSTRUCTIONS ARE UNDERSTOOD PRIOR TO FITMENT

Wiring Loom Installation Instructions

MITSUBISHI LANCER MY12

Part No: 100835-WL
ECU Required: 04826

Tail Harness Length Required: 1200mm

Wiring Loom Installation Time: Approx. 30 minutes

Issue Date 07-08-12

Page 1

Part No: 100835-WL

Hayman Reese (Cequent)
PO Box 4050, Dandenong South VIC 3164
Phone 1800 812 017 Email info@haymanreese.com.au

www.haymanreese.com.au



HAYMAN REESE
PART No: 100835-WL
MITSUBISHI LANCER MY12

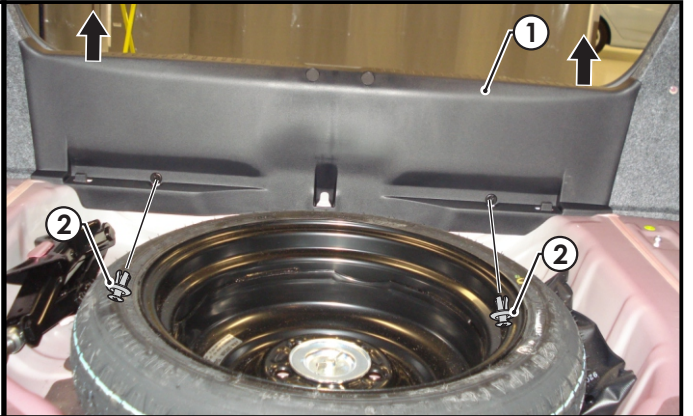
INSTALLATION INSTRUCTIONS

PLEASE ENSURE THAT INSTRUCTIONS ARE UNDERSTOOD PRIOR TO FITMENT

1. Inside the luggage compartment, remove the floor carpet cover (1).



2. Remove the rear luggage compartment trim (1) by first removing the two clips (2) and then pulling in an upwards direction.



3. Remove the LHS luggage compartment trim (1).

Repeat for the RHS.



Issue Date 07-08-12

Page 2

Part No: 100835-WL

Hayman Reese (Cequent)
PO Box 4050, Dandenong South VIC 3164
Phone 1800 812 017 Email info@haymanreese.com.au

HAYMAN REESE
PART No: 100835-WL
MITSUBISHI LANCER MY12

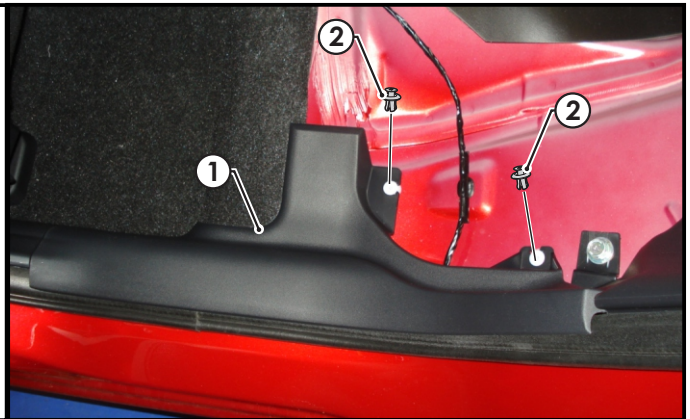
INSTALLATION INSTRUCTIONS

PLEASE ENSURE THAT INSTRUCTIONS ARE UNDERSTOOD PRIOR TO FITMENT

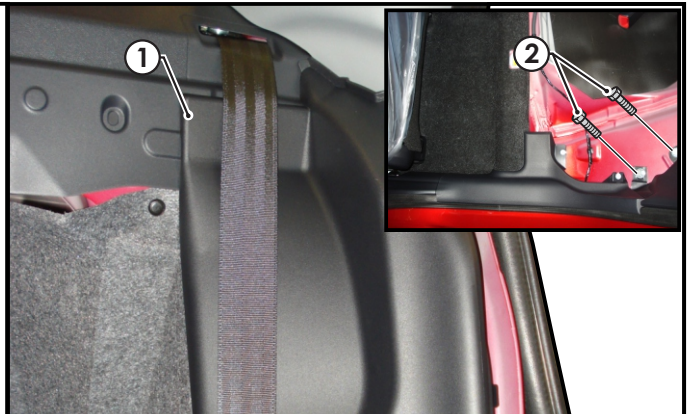
4. Inside the vehicle cabin, remove the LHS rear passenger seat base (1) by removing the fasteners and fold down the seat backrest (2).



5. Remove the RHS rear passenger door trim (1) by releasing the two clips (2).



6. Dislodge the lower 'C' pillar trim (1) by removing the fasteners (2).



Issue Date 07-08-12

Page 3

Part No: 100835-WL

Hayman Reese (Cequent)
PO Box 4050, Dandenong South VIC 3164
Phone 1800 812 017 Email info@haymanreese.com.au

www.haymanreese.com.au

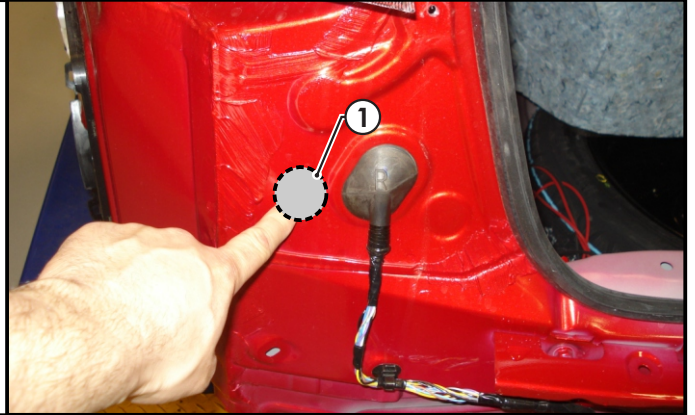


HAYMAN REESE
PART No: 100835-WL
MITSUBISHI LANCER MY12

INSTALLATION INSTRUCTIONS

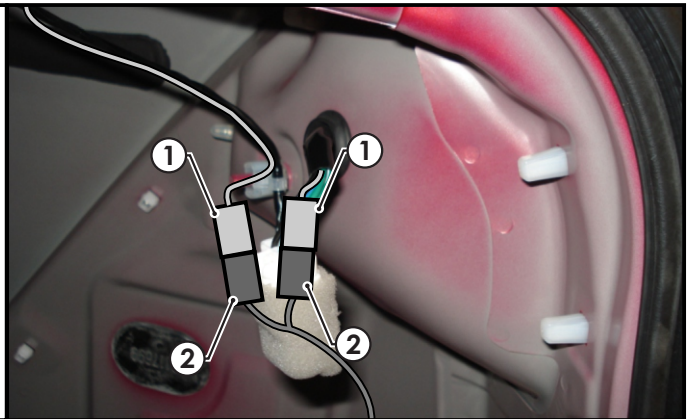
PLEASE ENSURE THAT INSTRUCTIONS ARE UNDERSTOOD PRIOR TO FITMENT

7. On the LHS rear quarter panel, drill a $\varnothing 30\text{mm}$ hole (1) on the vehicle sheet metal.
8. File any rough or sharp edges and spray with rust inhibitor.



9. On the RHS of the luggage compartment, disconnect the tail light connectors (1) and connect the trailer harness (P/No: 100835-WL) connector (2) in between.

Repeat for the LHS.



10. Route the trailer harness (1) towards the LHS of the vehicle tail light.



Issue Date 07-08-12

Page 4

Part No: 100835-WL

Hayman Reese (Cequent)
PO Box 4050, Dandenong South VIC 3164
Phone 1800 812 017 Email info@haymanreese.com.au

www.haymanreese.com.au



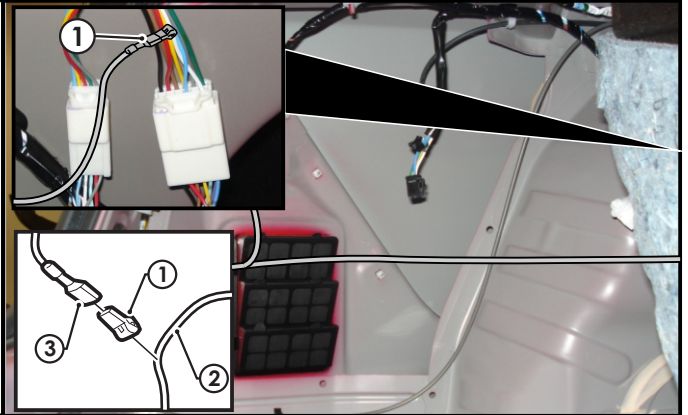
HAYMAN REESE
PART No: 100835-WL
MITSUBISHI LANCER MY12

INSTALLATION INSTRUCTIONS

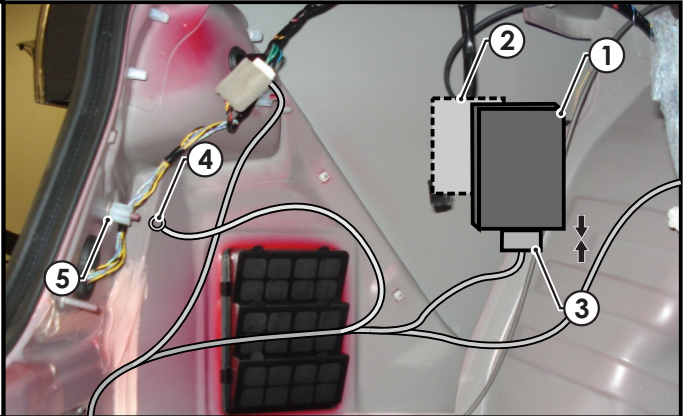
PLEASE ENSURE THAT INSTRUCTIONS ARE UNDERSTOOD PRIOR TO FITMENT

11. On the LHS of the luggage compartment, following the table below, connect the ezy-tap (1) to the vehicle 'WHITE' reverse wire (2), then connect the trailer patch terminal (3) to the ezy-tap (1).

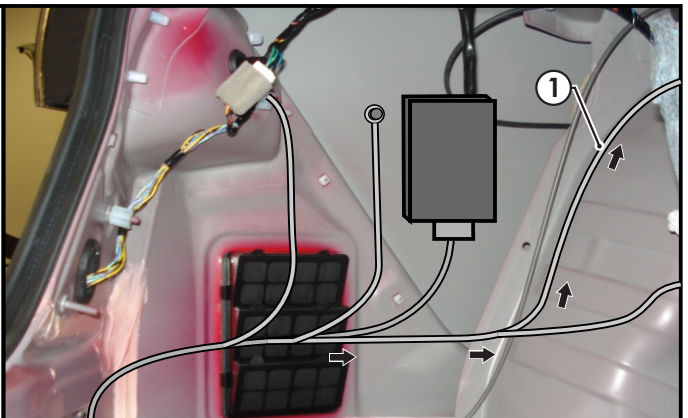
Function	Trailer Patch	Vehicle Connector
REVERSE	BLACK/WHITE	WHITE



12. Apply double sided tape to the ECU (04826) (1) and adhere it to the vehicle sheet metal (2) on the LHS of the luggage compartment.
13. Connect the trailer patch 12-way connector (3) to the ECU(04826) (1).
14. On the LHS of the rear quarter panel, secure the trailer patch ring terminal (4) to the vehicle grounding point (5).



15. Following the existing vehicle harness, route the 'ORANGE' power wire (1) along the LHS of the vehicle.



Issue Date 07-08-12

Page 5

Part No: 100835-WL

Hayman Reese (Cequent)
 PO Box 4050, Dandenong South VIC 3164
 Phone 1800 812 017 Email info@haymanreese.com.au



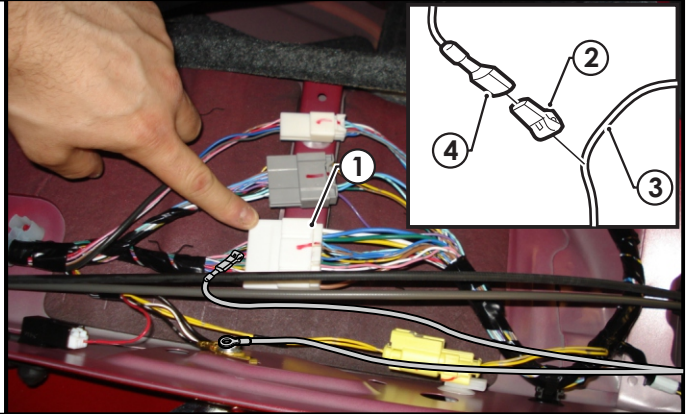
HAYMAN REESE
PART No: 100835-WL
MITSUBISHI LANCER MY12

INSTALLATION INSTRUCTIONS

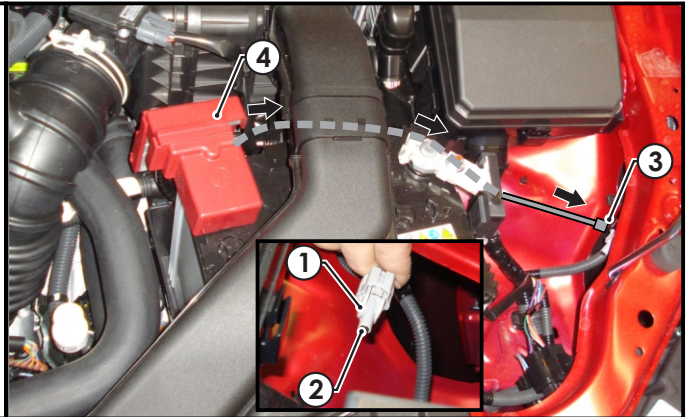
PLEASE ENSURE THAT INSTRUCTIONS ARE UNDERSTOOD PRIOR TO FITMENT

16. On the LHS of the rear passenger side, locate the vehicle connector (1) as shown.
17. Following the table below, connect the ezy-tap (2) to the vehicle 'GREY' wire (3), then connect the trailer patch terminal (4) to the ezy-tap (2).

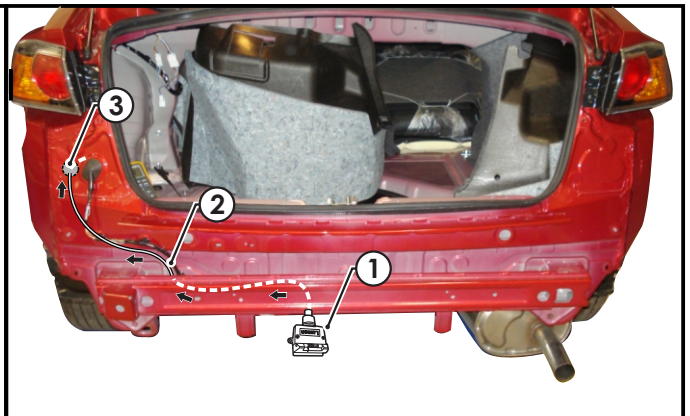
Function	Trailer Patch	Vehicle Connector
POWER	ORANGE	GREY



18. In the engine bay locate the 1-way grey connector (1) and remove the blanking plug (2).
19. Connect the Power Harness (P/No: 100835-WL) female connector (3) to the vehicle male connector and route the harness along the vehicle harness and connect it to the positive battery terminal (4).



20. Mount the trailer socket (1) to the tow bar mounting bracket using M4 fasteners (not supplied).
21. Route the tail harness (tail length 1200mm)(2) across the tow bar towards the LHS of the vehicle and up through the previously drilled out hole (3).
22. Ensure the tail harness grommet is seated correctly and secure in place using a cable tie (not supplied).



Issue Date 07-08-12

Page 6

Part No: 100835-WL

Hayman Reese (Cequent)
 PO Box 4050, Dandenong South VIC 3164
 Phone 1800 812 017 Email info@haymanreese.com.au

www.haymanreese.com.au

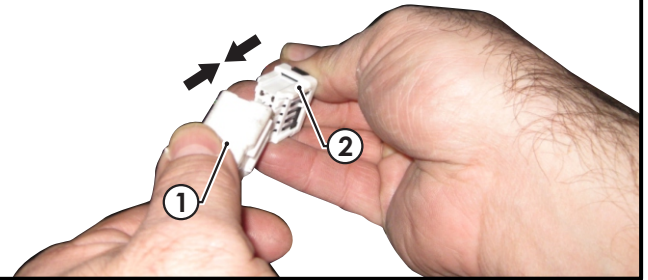


HAYMAN REESE
PART No: 100835-WL
MITSUBISHI LANCER MY12

INSTALLATION INSTRUCTIONS

PLEASE ENSURE THAT INSTRUCTIONS ARE UNDERSTOOD PRIOR TO FITMENT

- 23.** Connect the tail harness (tail length 1200mm) 8-way connector (1) to the trailer patch mating 8-way connector (2).



- 24.** Test the trailer patch function using a light board or multi meter.
- 25.** Secure all harnesses using cable ties (not supplied).
- 26.** Re-fit all removed parts and secure all fasteners, ensuring there are no squeaks or rattles.
- 27.** Place the fitting instructions in the glove box after fitment.

Issue Date 07-08-12

Page 7

Part No: 100835-WL

Hayman Reese (Cequent)
PO Box 4050, Dandenong South VIC 3164
Phone 1800 812 017 Email info@haymanreese.com.au

www.haymanreese.com.au

