

HAYMAN REESE
PART No: 02968W
VOLKSWAGEN JETTA 07/2011 ON

INSTALLATION INSTRUCTIONS

PLEASE ENSURE THAT ALL INSTRUCTIONS ARE UNDERSTOOD PRIOR TO FITMENT
PLACE THESE INSTRUCTIONS IN THE VEHICLE'S GLOVEBOX AFTER INSTALLATION IS COMPLETED



Installation Time: Approx **50** Mins

Towbar Installation Instructions

Towbar capacity

VOLKSWAGEN JETTA 07/2011 ON

Part Number 02968W

Max Towing Braked 1400 kg

Max Towing Unbraked 750 kg

Max Static Ball Load 75 kg

Hayman Reese (Cequent)
PO Box 4050, Dandenong South VIC 3164
Phone 1800 812 017 Email info@haymanreese.com.au

HAYMAN REESE

PART No: 02968W

VOLKSWAGEN JETTA 07/2011 ON

INSTALLATION INSTRUCTIONS

PLEASE ENSURE THAT ALL INSTRUCTIONS ARE UNDERSTOOD PRIOR TO FITMENT

PLACE THESE INSTRUCTIONS IN THE VEHICLES'S GLOVEBOX AFTER INSTALLATION IS COMPLETED

Warning:

1. Do not, drill, cut, weld or otherwise modify the towbar.
2. If you are using electric welding on a motor vehicle, **always** check that the vehicle is not equipped with electronic engine or instrument management equipment. Failure to do so could **destroy** any onboard computers. If in doubt, check with the vehicle's manufacturer.

General:

1. Ensure all hardware items have been included refer to assembly diagram.
2. It is recommended that the instructions are read through and completely understood before making any attempt to fit this product.
3. Be wary of any changes to vehicle designs or other accessories that may conflict with the installation of this product.
4. Before drilling ensure that the area is clear of fuel, electrical & other components.
5. All holes drilled into the body panels shall have all burrs & swarf removed then coated with a suitable rust preventative paint.
6. The high tensile fasteners supplied with this product were used to achieve the specified rating. If replacement is required ensure that fasteners of the same rating & quality are used. Contact an authorised **Hayman Reese** dealer if further information is required.
7. Ensure that all hardware is fastened to torque list below check fasteners on regular basis.
8. Towbar load rating sticker provided with this product shall be conspicuously located on inside rear end of the driver's door. **(See diagram below).**
9. Hayman Reese recommends that you check your tow ball to ensure that it complies with the Australian standards **AS 4177.2**.
10. **PLEASE NOTE:** It is advised to remove your lug or tbn when not actually towing so as to produce a clear view of the vehicles registration plate if obscured, and to also provide maximum available departure angle.
11. Pull Pin must be fit in down position.

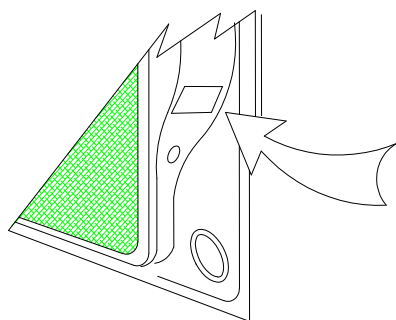
Tow bar Maintenance and Care.

Hayman Reese recommends that bolt torque's, as listed below, are routinely and regularly inspected and checked for correct tension. Replace any worn or defective parts.

We recommended to remove Tow Ball Mounts (TBM's, tongues or lugs) when not being used for any considerable length of time.

So as to avoid injury, when not towing it is suggested that the tongue, Pull Pin and R-clip are removed then stored in a safe, clean and dry place, away from excessive moisture.

Hitch Pull Pins and spring "R" clips are regularly checked for proper installation. Replace any worn or defective parts.



Place load rating sticker
inside driver's door here

RECOMMENDED ASSEMBLY TORQUE LISTING

Diameter Grade 8.8 Bolt

M6	9.5 Nm
M8	21.7 Nm
M10	43.4 Nm
M12	77.3 Nm
M14	146 Nm
M16	189.8 Nm

FOR TOWING PURPOSES ONLY

For towing capacity details please refer to vehicle owner's manual or to the manufacturer. Overloading can void your warranties.

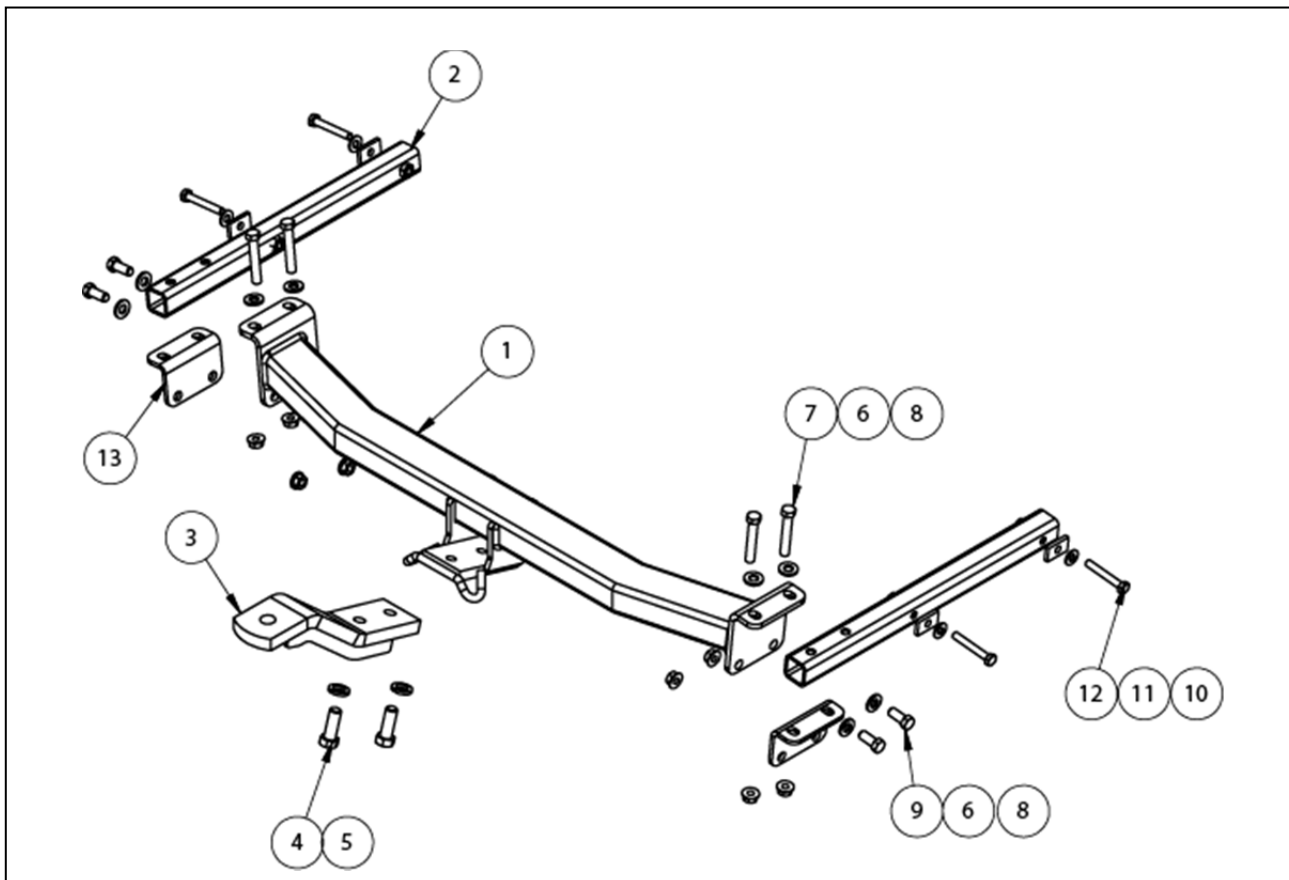
HAYMAN REESE

PART No: 02968W

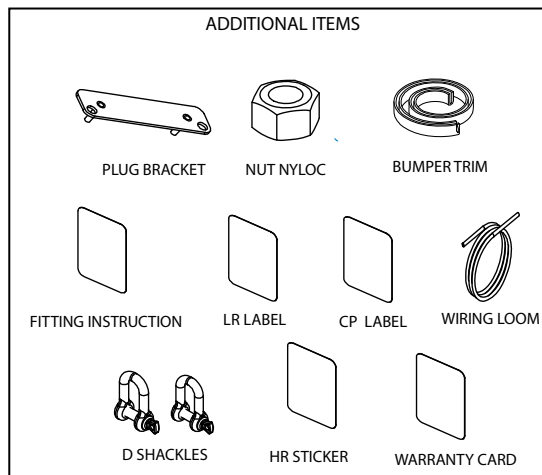
VOLKSWAGEN JETTA 07/2011 ON

INSTALLATION INSTRUCTIONS

PLEASE ENSURE THAT ALL INSTRUCTIONS ARE UNDERSTOOD PRIOR TO FITMENT
 PLACE THESE INSTRUCTIONS IN THE VEHICLES'S GLOVEBOX AFTER INSTALLATION IS COMPLETED



QTY	DESCRIPTION	ITEM NO
1	WELDED ASSEMBLY	1
2	WELDED TUBEMATIC ARM	2
1	LUG ASSEMBLY	3
2	M16x45 2.0P BOLT	4
2	M16x5x3.5 SPRING WASHER	5
8	WASHER FLAT 1/2"x11/8" x1/8"	6
4	M12x75 1.75P BOLT	7
8	M12x1.75P WHIZZ NUT	8
4	M12x30 BOLT 1.75P	9
4	LOOSE PLATE 40x25x6	10
4	WASHER FLAT M10x23x2 Z/P	11
4	BOLT M10x70x1.5	12
2	LOOSE SIDE MOUNT	13



HAYMAN REESE

PART No: 02968W

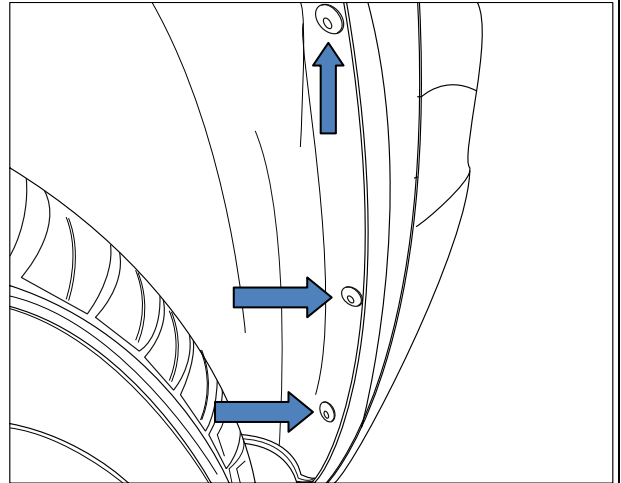
VOLKSWAGEN JETTA 07/2011 ON

INSTALLATION INSTRUCTIONS

PLEASE ENSURE THAT ALL INSTRUCTIONS ARE UNDERSTOOD PRIOR TO FITMENT

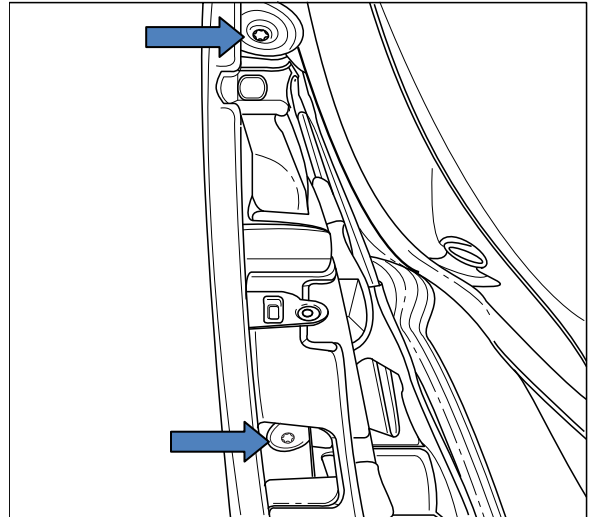
PLACE THESE INSTRUCTIONS IN THE VEHICLES' GLOVEBOX AFTER INSTALLATION IS COMPLETED

1. Remove 3 Screws from inside of Wheel Well for both the LH and RH side.



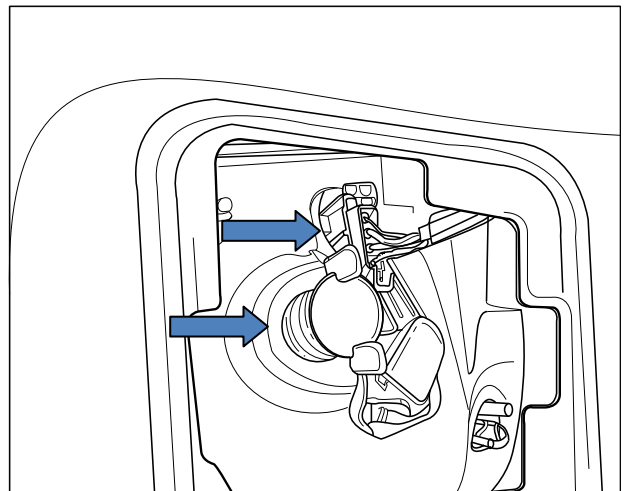
2. Remove 2 Screws from Bumper Bar which located behind the Wheel Well lining for both the LH &RH side.

Remove all Screws and Nuts from Bumper Bar located on the underside of vehicle.



3. Disconnect Rear Light Plug and remove light by fastening screws located in the Rear Light Cavity in the boot. Then firmly pull on Rear Light to remove.

Firmly pull on Bumper to release from Clips.



HAYMAN REESE

PART No: 02968W

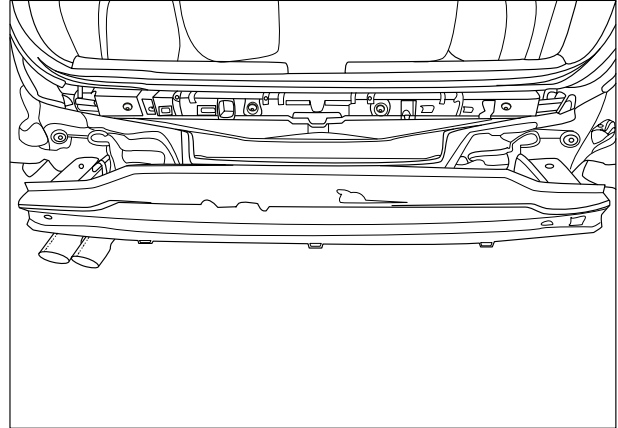
VOLKSWAGEN JETTA 07/2011 ON

INSTALLATION INSTRUCTIONS

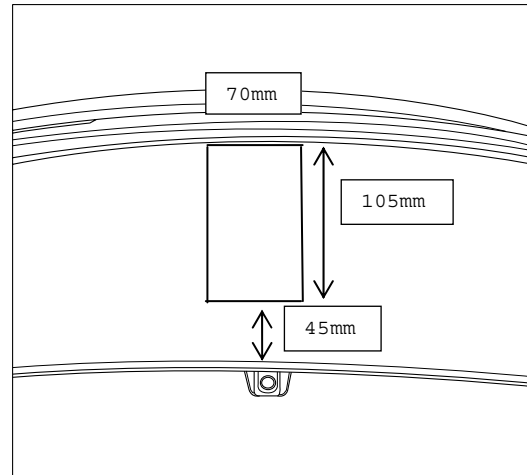
PLEASE ENSURE THAT ALL INSTRUCTIONS ARE UNDERSTOOD PRIOR TO FITMENT

PLACE THESE INSTRUCTIONS IN THE VEHICLES'S GLOVEBOX AFTER INSTALLATION IS COMPLETED

4. Remove Impact Beam from vehicle and discard all.



5. Created a Bumper Cut 70mm wide and 105mm high starting 45mm from bottom edge of Bumper and in centre of the Bumper Bar.



6. Install Towbar to vehicle and tighten all fasteners to torque specified on page2.
7. Reinstall Bumper and all other parts in reverse order to disassembly.

HAYMAN REESE
PART No: 100867-WL
VOLKSWAGEN JETTA MY12

INSTALLATION INSTRUCTIONS

PLEASE ENSURE THAT INSTRUCTIONS ARE UNDERSTOOD PRIOR TO FITMENT

Wiring Loom Installation Instructions

VOLKSWAGEN JETTA MY12

Part No: 100867-WL
ECU Required: 04826

Tail Harness Length Required: 1800mm

Wiring Loom Installation Time: Approx. 30 minutes

Issue Date 15-11-12

Page 1

Part No: 100867-WL

Hayman Reese (Cequent)
PO Box 4050, Dandenong South VIC 3164
Phone 1800 812 017 Email info@haymanreese.com.au

www.haymanreese.com.au



HAYMAN REESE
PART No: 100867-WL
VOLKSWAGEN JETTA MY12

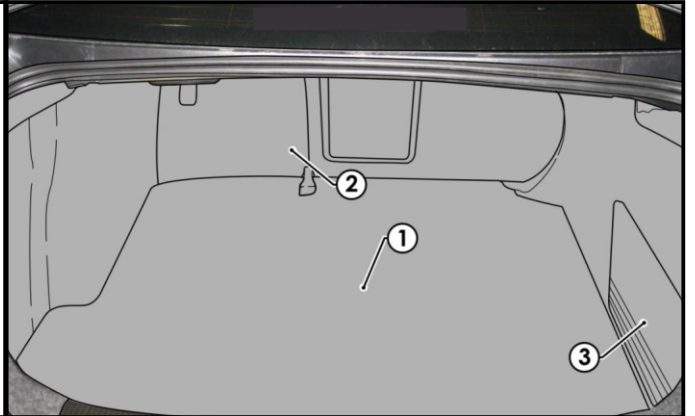
INSTALLATION INSTRUCTIONS

PLEASE ENSURE THAT INSTRUCTIONS ARE UNDERSTOOD PRIOR TO FITMENT

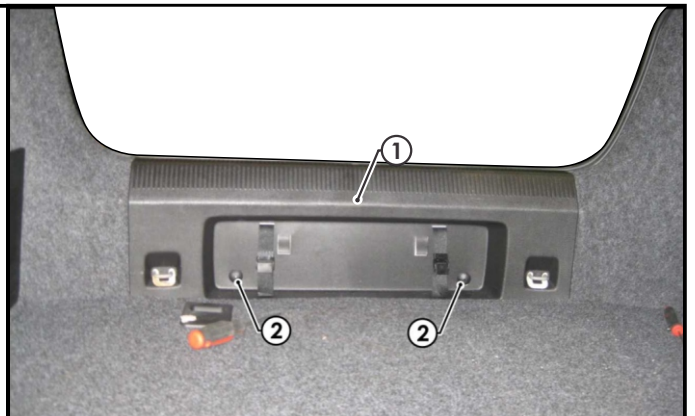
1. From outside the vehicle, remove the LHS & RHS tail lights (1).



2. In the luggage compartment, remove the floor cover carpet (1).
3. Fold the rear seats forward (2).
4. Remove the RHS cargo net (3).



5. Remove the rear trim (1) by first removing the two clips (2).



Issue Date 15-11-12

Page 2

Part No: 100867-WL

Hayman Reese (Cequent)
PO Box 4050, Dandenong South VIC 3164
Phone 1800 812 017 Email info@haymanreese.com.au

HAYMAN REESE
PART No: 100867-WL
VOLKSWAGEN JETTA MY12

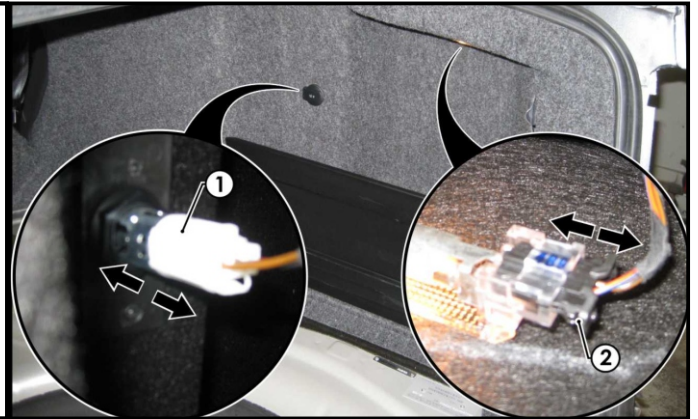
INSTALLATION INSTRUCTIONS

PLEASE ENSURE THAT INSTRUCTIONS ARE UNDERSTOOD PRIOR TO FITMENT

6. Remove the LHS side trim (1) by first removing any fasteners or clips.



7. Dislodge the RHS side trim by first removing any fasteners or clips.
8. If present, disconnect the 12v accessory connector (1).
9. Disconnect the RHS luggage compartment light connector (2).



10. Inside the vehicle cabin, remove the RHS dashboard trim (1).
11. Remove the RHS kick panel (2) and the RHS front scuff plate (3).



Issue Date 15-11-12

Page 3

Part No: 100867-WL

Hayman Reese (Cequent)
PO Box 4050, Dandenong South VIC 3164
Phone 1800 812 017 Email info@haymanreese.com.au

HAYMAN REESE
PART No: 100867-WL
VOLKSWAGEN JETTA MY12

INSTALLATION INSTRUCTIONS

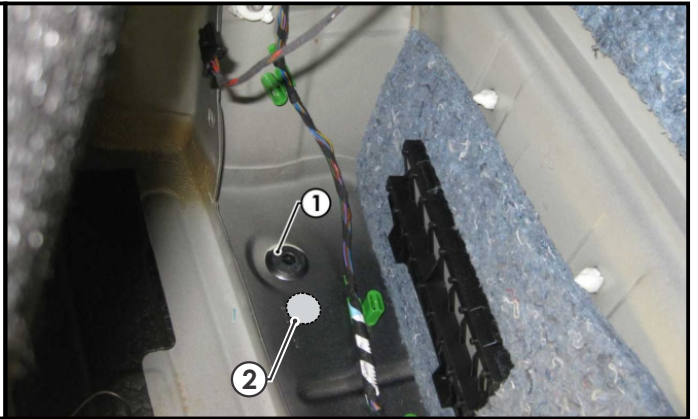
PLEASE ENSURE THAT INSTRUCTIONS ARE UNDERSTOOD PRIOR TO FITMENT

12. Remove the RHS rear scuff plate (1).



13. On the RHS of the luggage compartment, remove the blanking grommet (1) and drill the hole out to Ø30mm.

Note: If grommet (1) is occupied, drill a Ø30mm hole (2) next to the existing vehicle grommet (1) as shown.



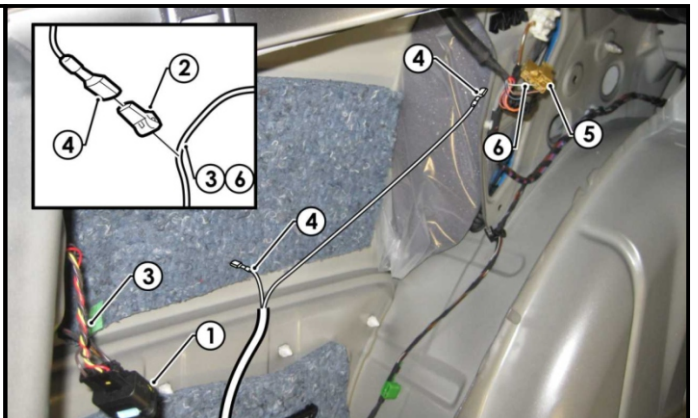
14. Locate the LHS tail light connector (1).

15. Following the table below, connect the ezy tap (2) to the vehicle 'BLACK/WHITE' left indicator wire (3), then connect the trailer harness (P/No: 100867-WL) terminal (4) to the ezy taps (2).

16. Locate the yellow 5-way connector (5).

17. Following the table below, connect the ezy tap (2) to the vehicle 'GREY/WHITE' reverse wire, (6) then connect the trailer harness terminal (4) to the ezy tap (2).

Function	Trailer Patch	Vehicle Connector
L.IND	YELLOW/BLACK	BLACK / WHITE
REVERSE	BLACK/WHITE	BLUE / BLACK

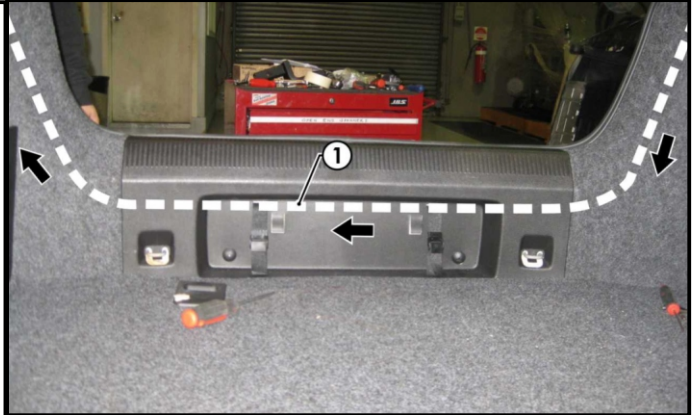


HAYMAN REESE
PART No: 100867-WL
VOLKSWAGEN JETTA MY12

INSTALLATION INSTRUCTIONS

PLEASE ENSURE THAT INSTRUCTIONS ARE UNDERSTOOD PRIOR TO FITMENT

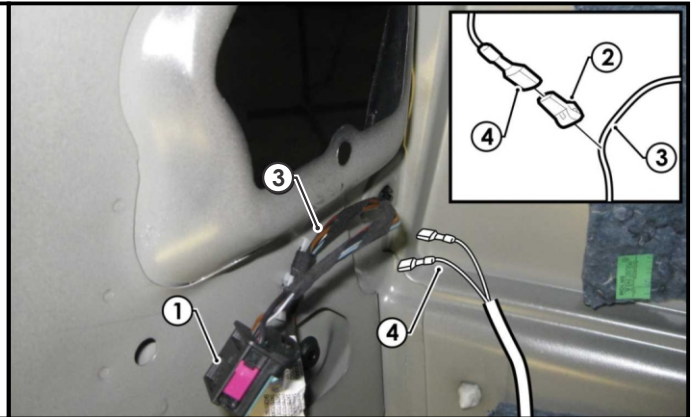
18. Route the trailer harness (1) from the LHS, along the rear of the luggage compartment and towards the RHS.



19. Locate the RHS tail light connector (1).

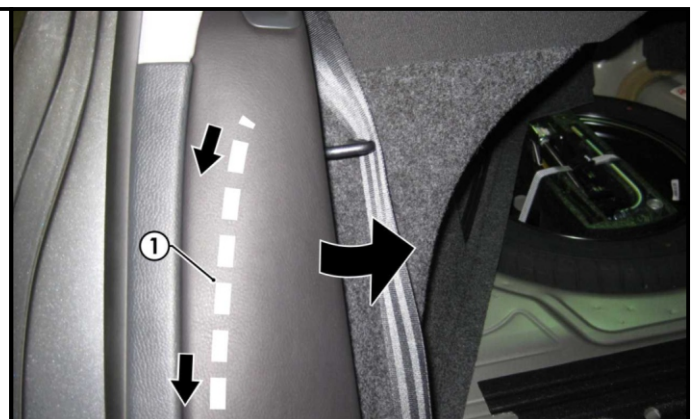
20. Following the table below, connect the ezy taps (2) to the vehicle connector wires (3), then connect the trailer harness terminals (4) to the ezy taps (2).

Function	Trailer Patch	Vehicle Connector
R.IND	GREEN / BLACK	BLACK / GREEN
TAIL	BROWN / BLACK	GREY / RED
BRAKES	RED / BLACK	BLACK / PURPLE



21. Route the trailer harness 'ORANGE' power wire (1) along the RHS of the luggage compartment and towards the front of the vehicle.

Note: The RHS rear seat outer cushion may have to be dislodged in order to route the power wire.



Issue Date 15-11-12

Page 5

Part No: 100867-WL

Hayman Reese (Cequent)
 PO Box 4050, Dandenong South VIC 3164
 Phone 1800 812 017 Email info@haymanreese.com.au



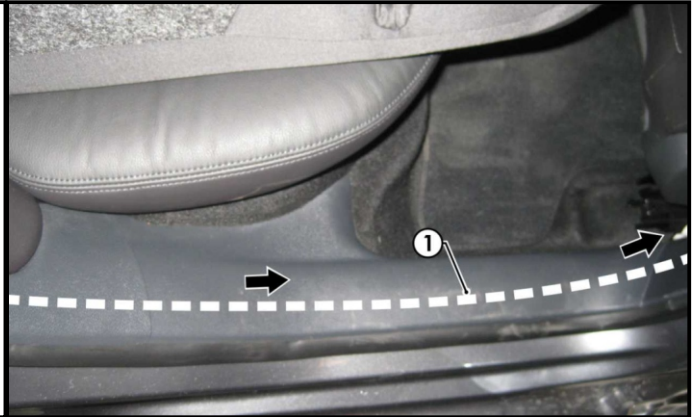
www.haymanreese.com.au

HAYMAN REESE
PART No: 100867-WL
VOLKSWAGEN JETTA MY12

INSTALLATION INSTRUCTIONS

PLEASE ENSURE THAT INSTRUCTIONS ARE UNDERSTOOD PRIOR TO FITMENT

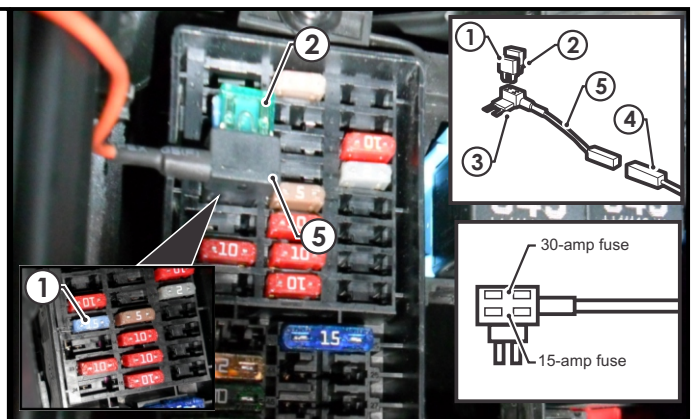
22. Route the trailer harness 'ORANGE' power wire (1) along the RHS rear scuff plate towards the front of the vehicle.



23. Continue to route the trailer harness 'ORANGE' power wire along the RHS front scuff plate and up towards the fuse panel.



24. Locate and remove the 15-amp fuse (1) (fuse location 21).
25. Insert the supplied 30-amp fuse (2) into the upper slot of the add-a-fuse (3) and the previously removed 15-amp fuse (1) into the lower slot of the add-a-fuse (3).
26. Plug the add-a-fuse (3) into the now vacant fuse slot on the fuse panel.
27. Connect the 'ORANGE' power wire 1-way connector (4) into the add-a-fuse harness (5) mating connector.



Issue Date 15-11-12

Page 6

Part No: 100867-WL

Hayman Reese (Cequent)
PO Box 4050, Dandenong South VIC 3164
Phone 1800 812 017 Email info@haymanreese.com.au

www.haymanreese.com.au

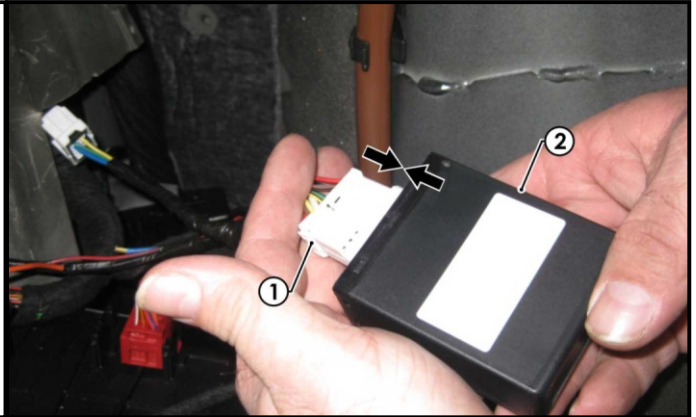


HAYMAN REESE
PART No: 100867-WL
VOLKSWAGEN JETTA MY12

INSTALLATION INSTRUCTIONS

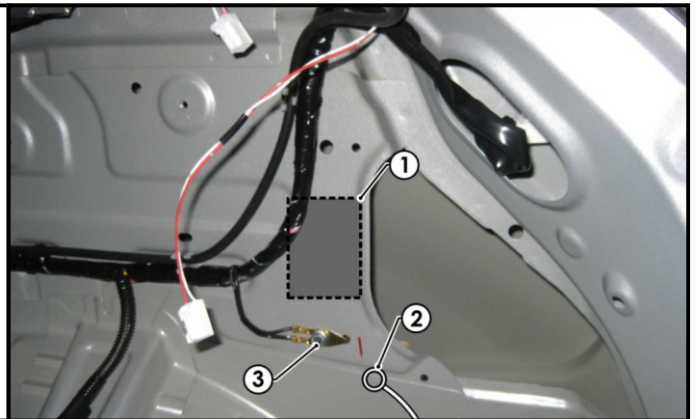
PLEASE ENSURE THAT INSTRUCTIONS ARE UNDERSTOOD PRIOR TO FITMENT

28. Connect the trailer harness 12-way connector (1) to the ECU (04826) (2).



29. Apply double sided tape to the ECU (1) and adhere it to the vehicle sheet metal on the RHS of the luggage compartment.
30. Connect the trailer harness ground ring terminal (2) to the vehicle grounding point (3).

Note: Please ensure ECU connector is facing downwards when securing to sheet metal.



31. Mount the trailer socket (1) to the towbar mounting bracket using M4 fasteners (not supplied).
32. Route the tail harness (2) across the towbar, towards the RHS of the vehicle and up through the previously drilled out hole.
33. Ensure the tail harness grommet is seated correctly and secure in place using a cable tie (not supplied).



Issue Date 15-11-12

Page 7

Part No: 100867-WL

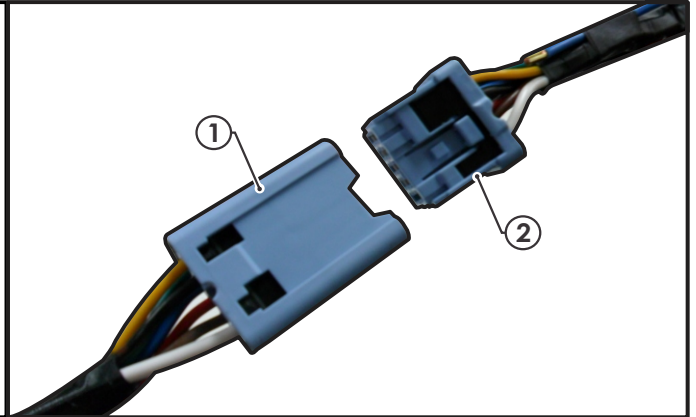
Hayman Reese (Cequent)
PO Box 4050, Dandenong South VIC 3164
Phone 1800 812 017 Email info@haymanreese.com.au

HAYMAN REESE
PART No: 100867-WL
VOLKSWAGEN JETTA MY12

INSTALLATION INSTRUCTIONS

PLEASE ENSURE THAT INSTRUCTIONS ARE UNDERSTOOD PRIOR TO FITMENT

- 34.** Connect the tail harness (tail length 1800mm) 8-way connector (1) to the trailer harness mating 8-way connector (2).



- 35.** Test the trailer harness function using a light board or multimeter.
- 36.** Secure all harnesses using cables ties (not supplied).
- 37.** Re-fit all removed parts and secure all fasteners, ensuring there are no squeaks or rattles.
- 38.** Place instructions in glove box after fitment.

Issue Date 15-11-12

Page 8

Part No: 100867-WL

Hayman Reese (Cequent)
PO Box 4050, Dandenong South VIC 3164
Phone 1800 812 017 Email info@haymanreese.com.au

www.haymanreese.com.au

