

**HAYMAN REESE**  
PART No: **03024RW**  
**AUDI Q3 2012 ON**

## INSTALLATION INSTRUCTIONS

PLEASE ENSURE THAT ALL INSTRUCTIONS ARE UNDERSTOOD PRIOR TO FITMENT  
PLACE THESE INSTRUCTIONS IN THE VEHICLE'S GLOVEBOX AFTER INSTALLATION IS COMPLETED



Installation Time: Approx **60** Mins

**Towbar Installation Instructions**

**Towbar capacity**

**AUDI Q3 2012 ON**

Part Number **03024RW**

**Max Towing Braked**  
**Max Static Ball Load**

**2000 kg**  
**80 kg**

Hayman Reese (Cequent)  
PO Box 4050, Dandenong South VIC 3164  
Phone 1800 812 017 Email [info@haymanreese.com.au](mailto:info@haymanreese.com.au)

# HAYMAN REESE

PART No: 03024RW

AUDI Q3 2012 ON

## INSTALLATION INSTRUCTIONS

PLEASE ENSURE THAT ALL INSTRUCTIONS ARE UNDERSTOOD PRIOR TO FITMENT  
PLACE THESE INSTRUCTIONS IN THE VEHICLES'S GLOVEBOX AFTER INSTALLATION IS COMPLETED

### Warning:

1. Do not, drill, cut, weld or otherwise modify the towbar.
2. If you are using electric welding on a motor vehicle, **always** check that the vehicle is not equipped with electronic engine or instrument management equipment. Failure to do so could **destroy** any onboard computers. If in doubt, check with the vehicle's manufacturer.

### General:

1. Ensure all hardware items have been included refer to assembly diagram.
2. It is recommended that the instructions are read through and completely understood before making any attempt to fit this product.
3. Be wary of any changes to vehicle designs or other accessories that may conflict with the installation of this product.
4. Before drilling ensure that the area is clear of fuel, electrical & other components.
5. All holes drilled into the body panels shall have all burrs & swarf removed then coated with a suitable rust preventative paint.
6. The high tensile fasteners supplied with this product were used to achieve the specified rating. If replacement is required ensure that fasteners of the same rating & quality are used. Contact an authorised **Hayman Reese** dealer if further information is required.
7. Ensure that all hardware is fastened to torque list below check fasteners on regular basis.
8. Towbar load rating sticker provided with this product shall be conspicuously located on inside rear end of the driver's door. **(See diagram below).**
9. Hayman Reese recommends that you check your tow ball to ensure that it complies with the Australian standards **AS 4177.2**.
10. **PLEASE NOTE:** It is advised to remove your lug or tbn when not actually towing so as to produce a clear view of the vehicles registration plate if obscured, and to also provide maximum available departure angle.
11. Pull Pin must be fit in down position.

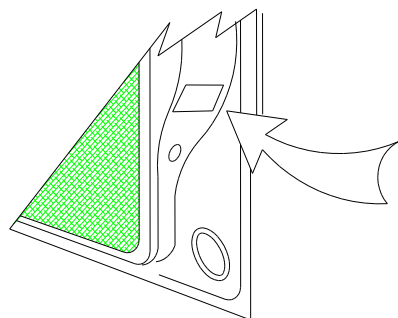
### Tow bar Maintenance and Care.

Hayman Reese recommends that bolt torque's, as listed below, are routinely and regularly inspected and checked for correct tension. Replace any worn or defective parts.

We recommended to remove Tow Ball Mounts (TBM's, tongues or lugs) when not being used for any considerable length of time.

So as to avoid injury, when not towing it is suggested that the tongue, Pull Pin and R-clip are removed then stored in a safe, clean and dry place, away from excessive moisture.

Hitch Pull Pins and spring "R" clips are regularly checked for proper installation. Replace any worn or defective parts.



Place load rating sticker  
inside driver's door here

### **RECOMMENDED ASSEMBLY TORQUE LISTING**

#### Diameter Grade 8.8 Bolt

M6	9.5 Nm
M8	21.7 Nm
M10	43.4 Nm
M12	77.3 Nm
M14	146 Nm
M16	189.8 Nm

### **FOR TOWING PURPOSES ONLY**

For towing capacity details please refer to vehicle owner's manual or to the manufacturer. Overloading can void your warranties.

# HAYMAN REESE

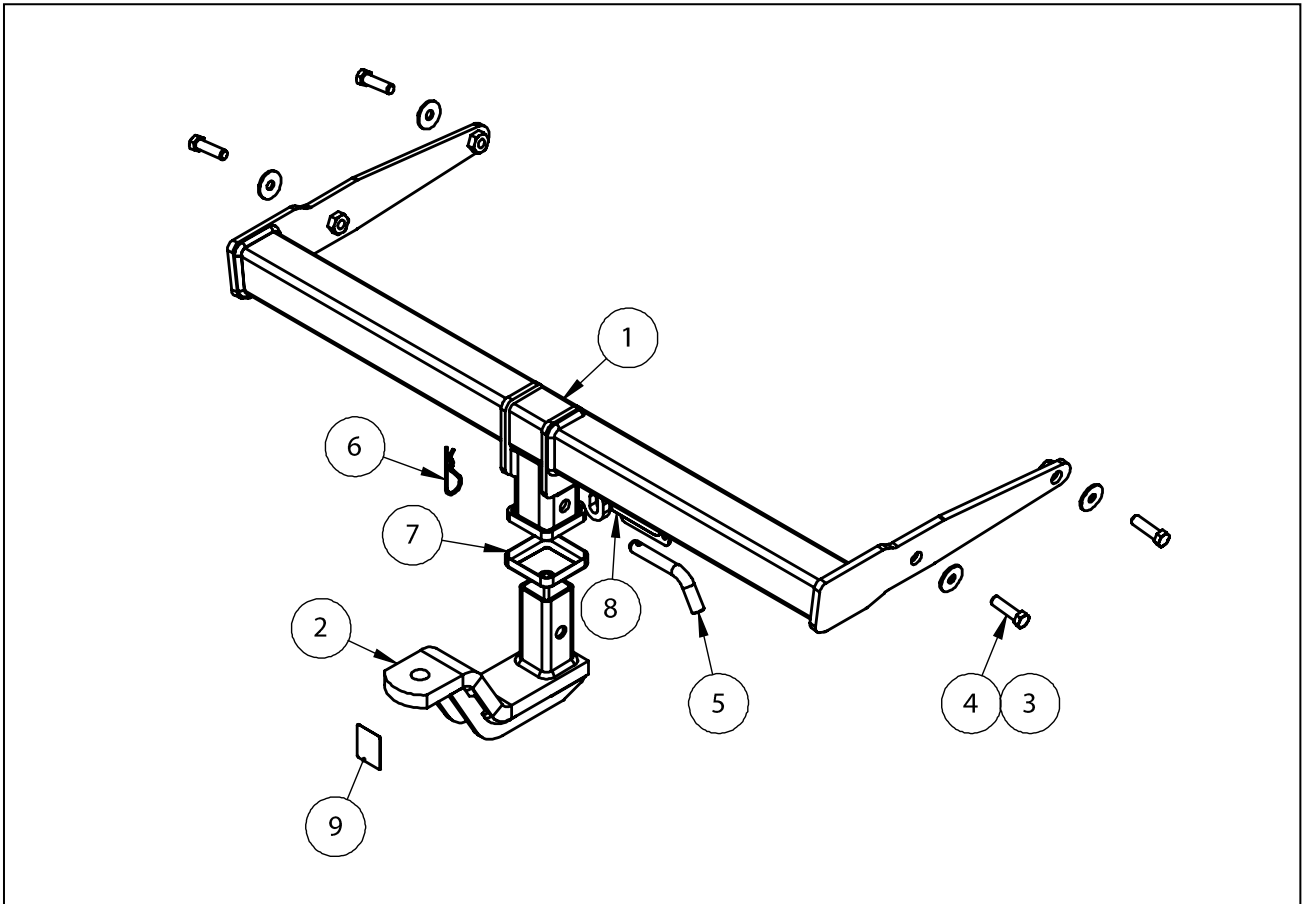
PART No: 03024RW

AUDI Q3 2012 ON

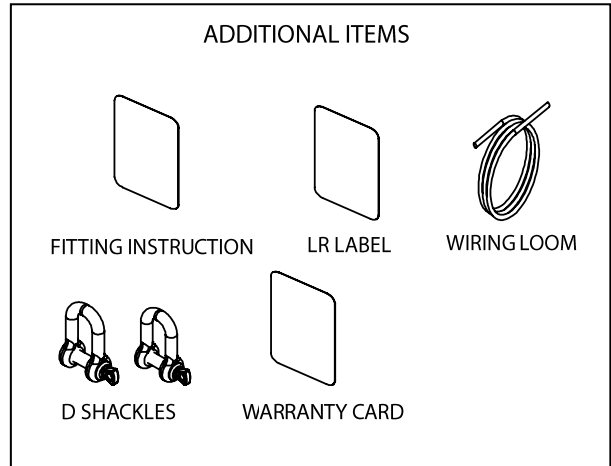
## INSTALLATION INSTRUCTIONS

PLEASE ENSURE THAT ALL INSTRUCTIONS ARE UNDERSTOOD PRIOR TO FITMENT

PLACE THESE INSTRUCTIONS IN THE VEHICLE'S GLOVEBOX AFTER INSTALLATION IS COMPLETED



QTY	DESCRIPTION	ITEM NO
1	WELDED ASSEMBLY	1
1	TBM ASSEMBLY	2
4	M12 FLAT WASHER	3
4	M12x45x1.75P BOLT	4
1	PULL PIN	5
1	R CLIP	6
1	HITCH BOX COLLAR COVER	7
1	ACRYLIC CP LABEL	8
1	H.R STICKER	9



# HAYMAN REESE

PART No: 03024RW

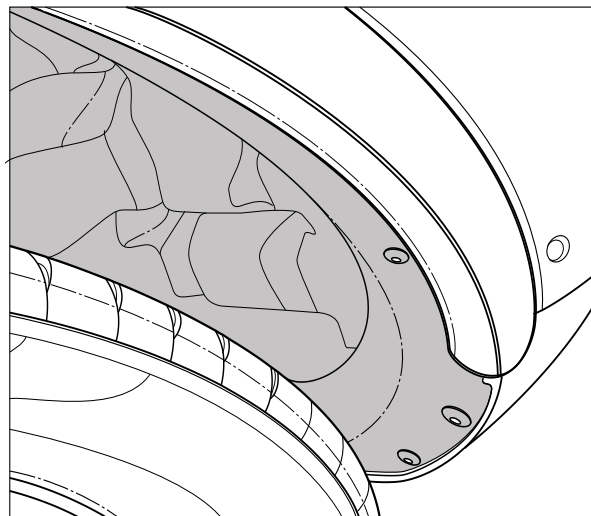
AUDI Q3 2012 ON

## INSTALLATION INSTRUCTIONS

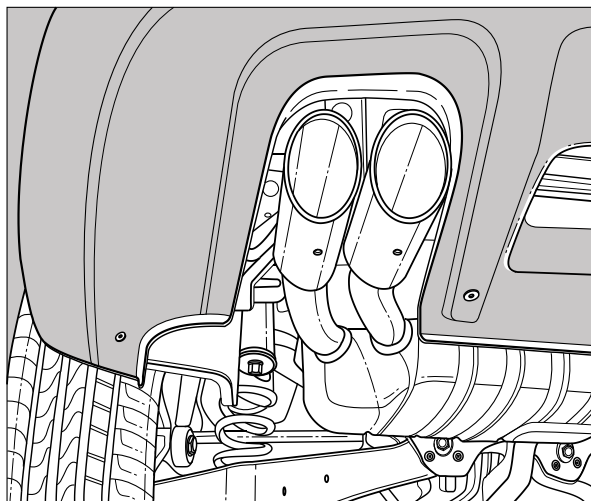
PLEASE ENSURE THAT ALL INSTRUCTIONS ARE UNDERSTOOD PRIOR TO FITMENT

PLACE THESE INSTRUCTIONS IN THE VEHICLES'S GLOVEBOX AFTER INSTALLATION IS COMPLETED

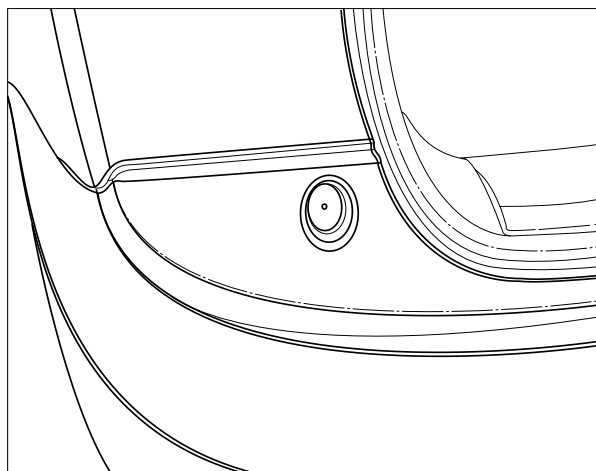
1. Remove all Screws from inside of Wheel Arc for both the LH and RH side.



2. Remove 2x Screws from the underside of the Bumper for both the LH and RH side.



3. Open Boot and remove 1x Screw from top of Bumper for both the LH and RH side.



# HAYMAN REESE

PART No: 03024RW

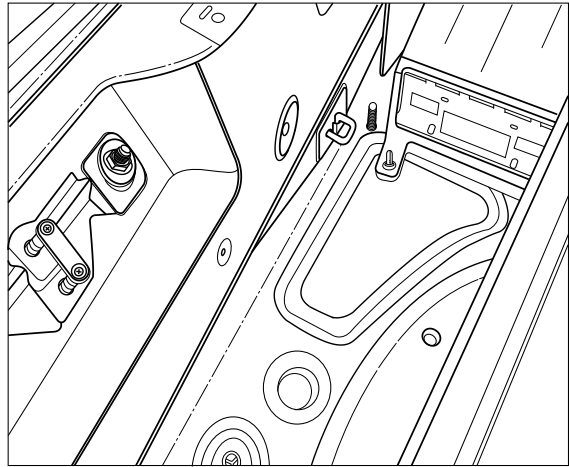
AUDI Q3 2012 ON

## INSTALLATION INSTRUCTIONS

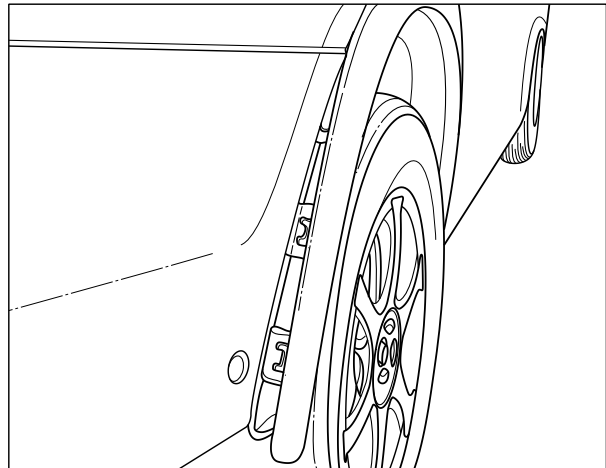
PLEASE ENSURE THAT ALL INSTRUCTIONS ARE UNDERSTOOD PRIOR TO FITMENT

PLACE THESE INSTRUCTIONS IN THE VEHICLES'S GLOVEBOX AFTER INSTALLATION IS COMPLETED

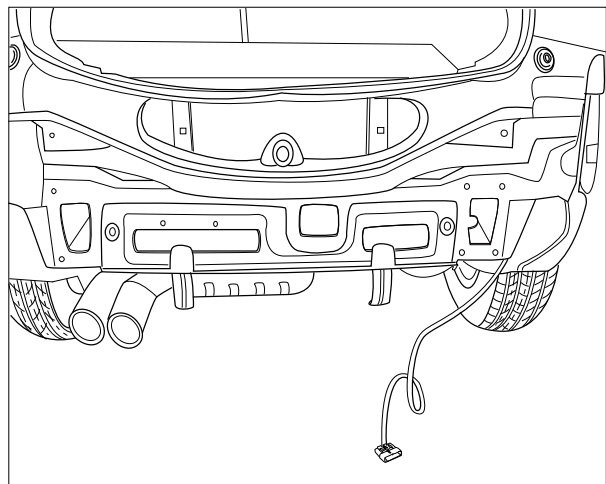
4. Remove rear most trim cover inside boot and LH and RH trim cavity's to locate 2x Nuts retaining the Bumper for both the LH and Rh side.



5. Firmly pull on Wheel Arc cover to release Clips from Bumper For both the LH and RH side
6. Firmly pull on Bumper to release from clips.



7. Remove 6x Bolts from Impact Beam and discard along with the Impact Beam.
8. Offer Towbar to vehicle and secure with the 4x Bolts and Washers provided.
9. Torque all bolts to specifications provided.
10. Refit Bumper in reverse order to disassembly.



**HAYMAN REESE**  
**PART No: 100981-WL**  
**AUDI Q3**

**INSTALLATION INSTRUCTIONS**

PLEASE ENSURE THAT INSTRUCTIONS ARE UNDERSTOOD PRIOR TO FITMENT

**Wiring Loom Installation Instructions**

**AUDI Q3**

**Part No: 100981-WL**

**Tail Harness Length Required: 1200mm**

**ECU Required: 04829**

**Wiring Loom Installation Time: Approx. 45 minutes**

**Note: When the tailgate is opened, lights will not work.**

Issue Date 21-10-13

Page 1

Part No: 100981-WL

Hayman Reese (Cequent)  
PO Box 4050, Dandenong South VIC 3164  
Phone 1800 812 017 Email [info@haymanreese.com.au](mailto:info@haymanreese.com.au)

[www.haymanreese.com.au](http://www.haymanreese.com.au)





**HAYMAN REESE**  
**PART No: 100981-WL**  
**AUDI Q3**

## INSTALLATION INSTRUCTIONS

PLEASE ENSURE THAT INSTRUCTIONS ARE UNDERSTOOD PRIOR TO FITMENT

1. In the luggage compartment, remove the floor cover carpet (1), rear trim (2) and fold down the rear passenger seats (3).

**Note: When removing the rear trim, disconnect the 2-way connector.**



2. Remove the rear passenger 'C' pillar lower trim (1).



3. Remove the RHS rear passenger door sill trim (1).



Issue Date 21-10-13

Page 2

Part No: 100981-WL

Hayman Reese (Cequent)  
PO Box 4050, Dandenong South VIC 3164  
Phone 1800 812 017 Email [info@haymanreese.com.au](mailto:info@haymanreese.com.au)

[www.haymanreese.com.au](http://www.haymanreese.com.au)



**HAYMAN REESE**  
**PART No: 100981-WL**  
**AUDI Q3**

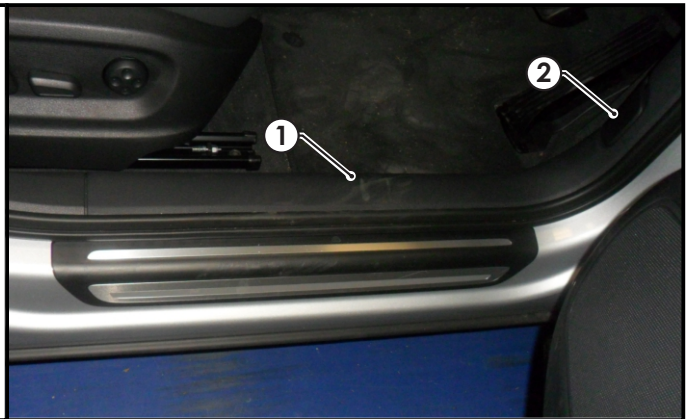
**INSTALLATION INSTRUCTIONS**

PLEASE ENSURE THAT INSTRUCTIONS ARE UNDERSTOOD PRIOR TO FITMENT

4. Dislodge the RHS 'B' pillar lower trim (1).



5. Remove the driver's door sill trim (1) by first removing the boot lever (2).



6. Under the steering column at the RHS, open the fuse access panel (1).



Issue Date 21-10-13

Page 3

Part No: 100981-WL

Hayman Reese (Cequent)  
PO Box 4050, Dandenong South VIC 3164  
Phone 1800 812 017 Email [info@haymanreese.com.au](mailto:info@haymanreese.com.au)

[www.haymanreese.com.au](http://www.haymanreese.com.au)





# HAYMAN REESE

## PART No: 100981-WL

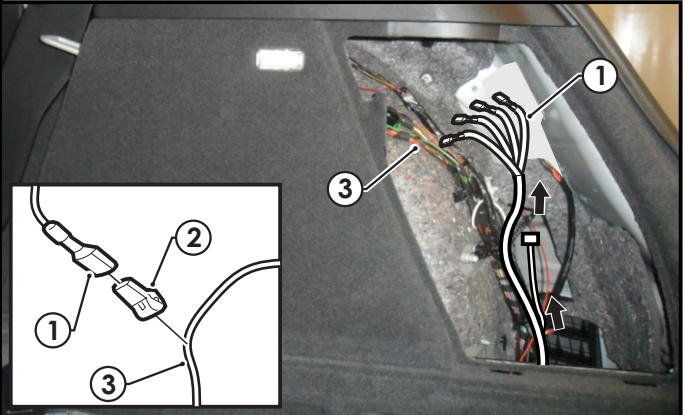
### AUDI Q3

## INSTALLATION INSTRUCTIONS

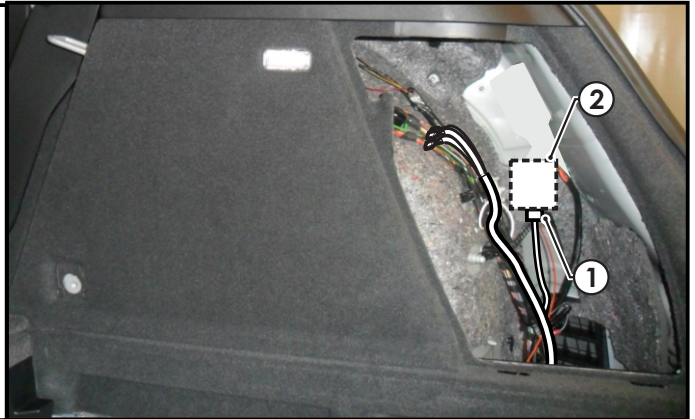
PLEASE ENSURE THAT INSTRUCTIONS ARE UNDERSTOOD PRIOR TO FITMENT

7. At the RHS luggage compartment wheel arch area, connect the trailer patch (P/No: 100981-WL) terminals (1) to the supplied ezy-taps (2) and to the vehicle harness wires (3) by following the table below:

Function	Trailer Patch	Vehicle Harness
R.IND	GREEN/BLACK	BLACK/GREEN
BRAKE	RED/BLACK	BLACK
TAIL	BROWN/BLACK	BLACK/YELLOW
L. IND	YELLOW/BLACK	BLACK/WHITE

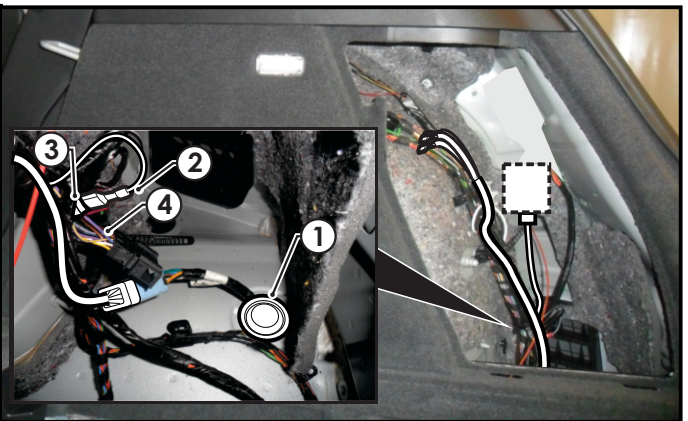


8. Connect the trailer patch ECU connector (1) to the ECU (2).
9. Using double sided tape, adhere the ECU (2) to the vehicle sheet metal area underneath the foam at the location shown (2). **Ensure the connectors on the ECU are pointing down.**



10. At the RHS luggage compartment rear quarter lower corner, remove the vehicle grommet (1).
11. Connect the trailer patch (P/No: 100981-WL) terminals (2) to the supplied ezy-taps (3) and tap onto the vehicle harness wire (4) by following the table below:

Function	Trailer Patch	Vehicle Harness
REVERSE	BLACK/WHITE	PURPLE/BLACK



Issue Date 21-10-13

Page 4

Part No: 100981-WL

Hayman Reese (Cequent)  
 PO Box 4050, Dandenong South VIC 3164  
 Phone 1800 812 017 Email [info@haymanreese.com.au](mailto:info@haymanreese.com.au)

[www.haymanreese.com.au](http://www.haymanreese.com.au)

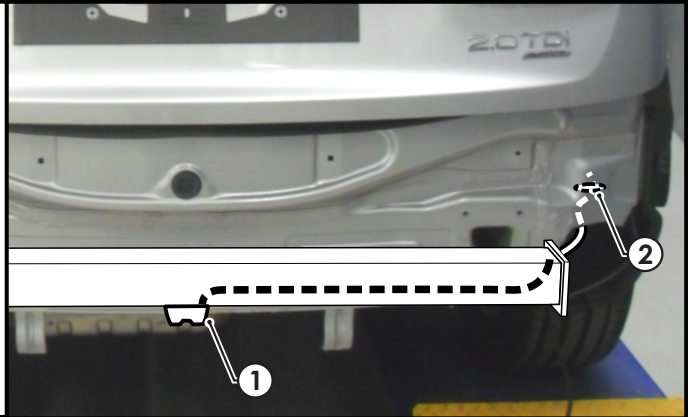


**HAYMAN REESE**  
**PART No: 100981-WL**  
**AUDI Q3**

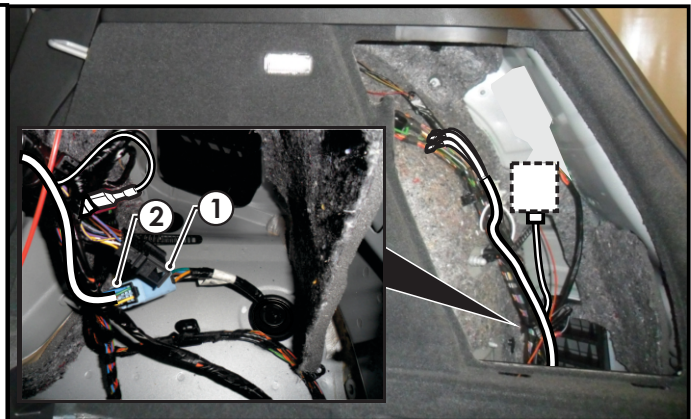
**INSTALLATION INSTRUCTIONS**

PLEASE ENSURE THAT INSTRUCTIONS ARE UNDERSTOOD PRIOR TO FITMENT

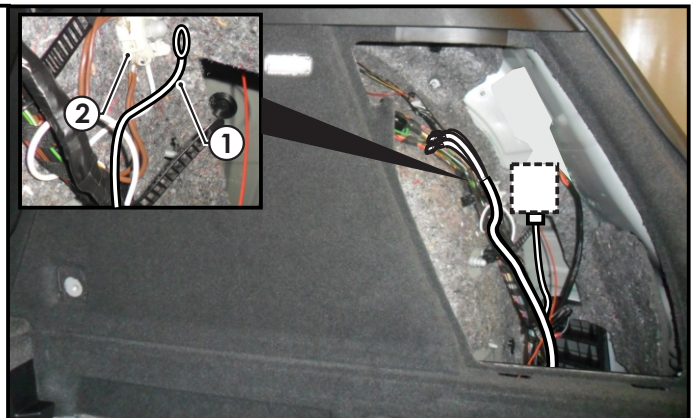
12. Secure the tail harness (tail length: 1200mm) socket head (1) to the towbar mounting bracket using the supplied M4 fasteners.
13. Route the tail harness across the towbar and into the RHS rear quarter grommet opening (2).



14. Connect the trailer patch 8-way connector (1) to the mating tail harness 8-way connector (2).



15. At the luggage compartment LHS rear quarter area, secure the trailer patch ground ring (1) to the vehicle grounding point (2).



Issue Date 21-10-13

Page 5

Part No: 100981-WL

Hayman Reese (Cequent)  
PO Box 4050, Dandenong South VIC 3164  
Phone 1800 812 017 Email [info@haymanreese.com.au](mailto:info@haymanreese.com.au)

[www.haymanreese.com.au](http://www.haymanreese.com.au)

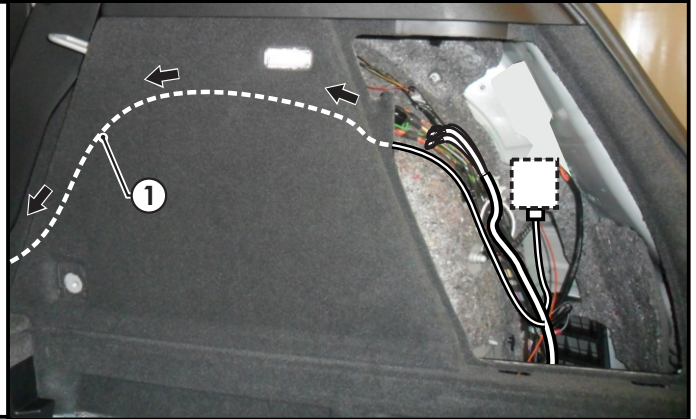


**HAYMAN REESE**  
**PART No: 100981-WL**  
**AUDI Q3**

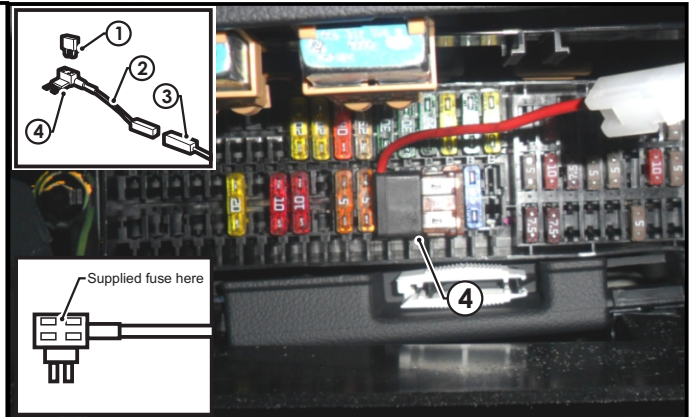
**INSTALLATION INSTRUCTIONS**

PLEASE ENSURE THAT INSTRUCTIONS ARE UNDERSTOOD PRIOR TO FITMENT

16. Route the trailer patch 1-way connector branch (1) over the wheel arch towards the front of the fuse panel area following the vehicle harness.



17. Insert the supplied 20A fuse (1) into the top slot of the add-a-fuse harness (2). Connect the add-a-fuse harness (2) to the trailer patch 1-way connector (3).
18. Insert the add-a-fuse (4) to the vacant slot indicated in the orientation shown.



19. Test the trailer harness function using a Light Board or multimeter.
20. Secure all harnesses using cable ties (not supplied).
21. Re-fit removed parts and secure all fasteners, ensuring there are no squeaks or rattles.
22. Place instructions in glove box after fitment.

Issue Date 21-10-13

Page 6

Part No: 100981-WL

Hayman Reese (Cequent)  
PO Box 4050, Dandenong South VIC 3164  
Phone 1800 812 017 Email [info@haymanreese.com.au](mailto:info@haymanreese.com.au)

[www.haymanreese.com.au](http://www.haymanreese.com.au)

