

**HAYMAN REESE**  
PART No: **03062RLW**  
**HONDA CRV DIESEL 2013-ON**

## INSTALLATION INSTRUCTIONS

PLEASE ENSURE THAT ALL INSTRUCTIONS ARE UNDERSTOOD PRIOR TO FITMENT  
PLACE THESE INSTRUCTIONS IN THE VEHICLE'S GLOVEBOX AFTER INSTALLATION IS COMPLETED



Installation Time: Approx **45** Mins

**Towbar Installation Instructions**

**Towbar capacity**

**HONDA CRV DIESEL 2013-ON**

**Part Number 03062RLW**

**Max Towing Braked**

**2000 kg**

**Max Static Ball Load**

**100 kg**

Hayman Reese (Cequent)  
PO Box 4050, Dandenong South VIC 3164  
Phone 1800 812 017 Email [info@haymanreese.com.au](mailto:info@haymanreese.com.au)

**HAYMAN REESE**  
PART No: 03062RLW  
HONDA CRV DIESEL 2013-ON

**INSTALLATION INSTRUCTIONS**

PLEASE ENSURE THAT ALL INSTRUCTIONS ARE UNDERSTOOD PRIOR TO FITMENT  
PLACE THESE INSTRUCTIONS IN THE VEHICLES'S GLOVEBOX AFTER INSTALLATION IS COMPLETED

**Warning:**

1. Do not, drill, cut, weld or otherwise modify the towbar.
2. If you are using electric welding on a motor vehicle, **always** check that the vehicle is not equipped with electronic engine or instrument management equipment. Failure to do so could **destroy** any onboard computers. If in doubt, check with the vehicle's manufacturer.

**General:**

1. Ensure all hardware items have been included refer to assembly diagram.
2. It is recommended that the instructions are read through and completely understood before making any attempt to fit this product.
3. Be wary of any changes to vehicle designs or other accessories that may conflict with the installation of this product.
4. Before drilling ensure that the area is clear of fuel, electrical & other components.
5. All holes drilled into the body panels shall have all burrs & swarf removed then coated with a suitable rust preventative paint.
6. The high tensile fasteners supplied with this product were used to achieve the specified rating. If replacement is required ensure that fasteners of the same rating & quality are used. Contact an authorised **Hayman Reese** dealer if further information is required.
7. Ensure that all hardware is fastened to torque list below check fasteners on regular basis.
8. Towbar load rating sticker provided with this product shall be conspicuously located on inside rear end of the driver's door. **(See diagram below).**
9. Hayman Reese recommends that you check your tow ball to ensure that it complies with the Australian standards **AS 4177.2**.
10. **PLEASE NOTE:** It is advised to remove your LUG or TBM when not actually towing so as to produce a clear view of the vehicles registration plate if obscured, and to also provide maximum available departure angle.
11. Pull Pin must be fit in down position.

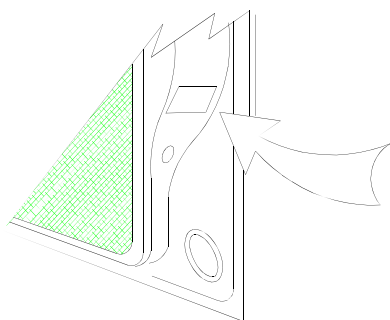
**Tow bar Maintenance and Care.**

Hayman Reese recommends that bolt torque's, as listed below, are routinely and regularly inspected and checked for correct tension. Replace any worn or defective parts.

We recommended to remove Tow Ball Mounts (TBM's, tongues or lugs) when not being used for any considerable length of time.

So as to avoid injury, when not towing it is suggested that the tongue, Pull Pin and R-clip are removed then stored in a safe, clean and dry place, away from excessive moisture.

Hitch Pull Pins and spring "R" clips are regularly checked for proper installation. Replace any worn or defective parts.



Place load rating sticker  
inside driver's door here

**RECOMMENDED ASSEMBLY TORQUE LISTING**

<u>Diameter</u>	<u>Grade 8.8 Bolt</u>	
M6		9.5 Nm
M8		21.7 Nm
M10		43.4 Nm
M12		77.3 Nm
M14		146 Nm
M16		189.8 Nm

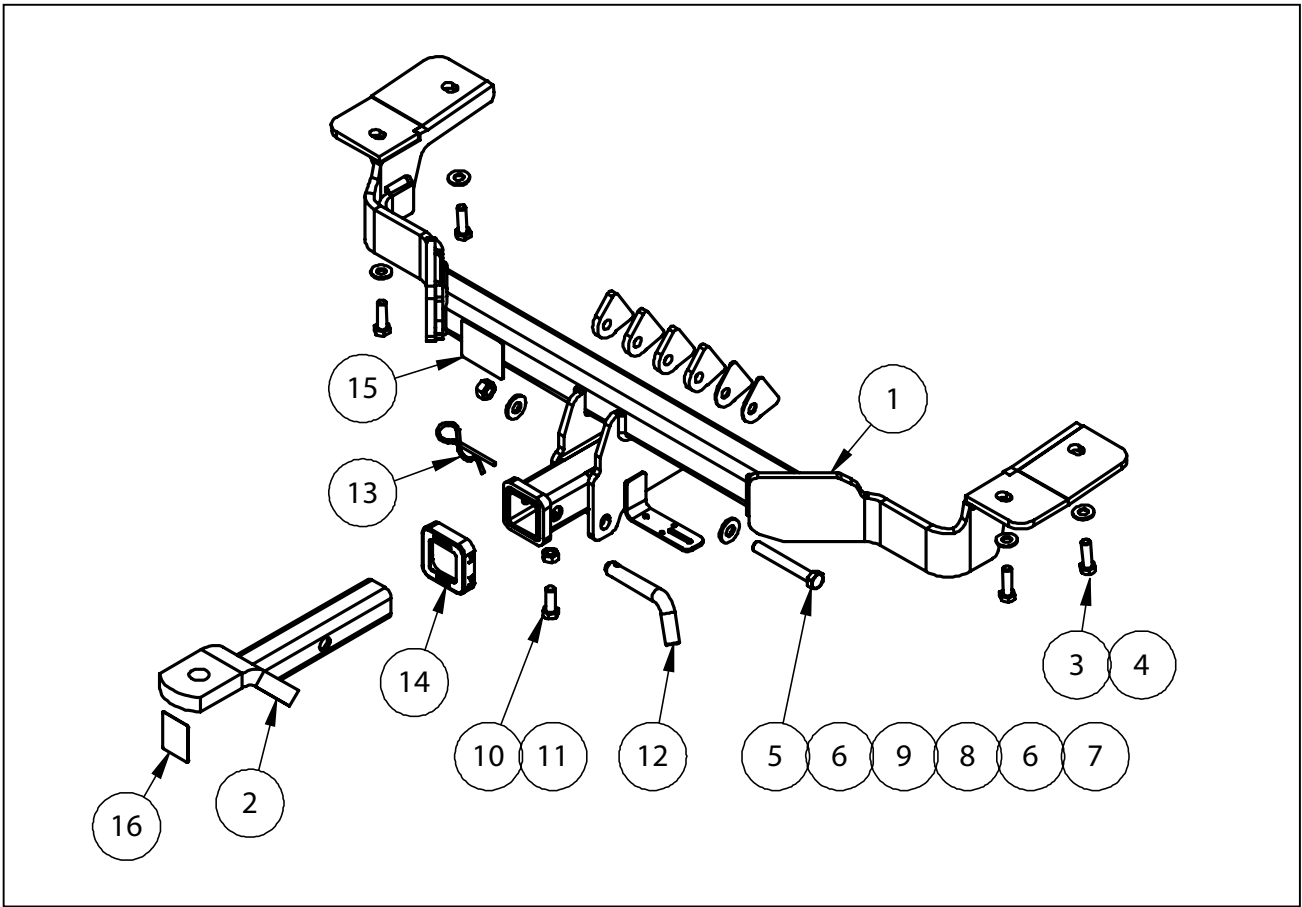
**FOR TOWING PURPOSES ONLY**

For towing capacity details please refer to vehicle owner's manual or to the manufacturer. Overloading can void your warranties.

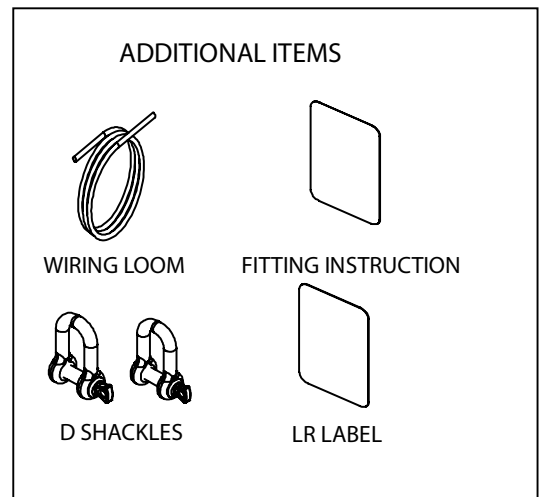
**HAYMAN REESE**  
**PART No: 03062RLW**  
**HONDA CRV DIESEL 2013-ON**

**INSTALLATION INSTRUCTIONS**

PLEASE ENSURE THAT ALL INSTRUCTIONS ARE UNDERSTOOD PRIOR TO FITMENT  
 PLACE THESE INSTRUCTIONS IN THE VEHICLES'S GLOVEBOX AFTER INSTALLATION IS COMPLETED



QTY.	DESCRIPTION	ITEM NO.
1	WELDED ASSY	1
1	TBM ASSY	2
4	SET SCREW HEX HD M10x35x1.25P	3
4	WASHER FLAT M10x23x2 Z/P	4
1	BOLT M12-1.25x90 GR8.8	5
2	WASHER FLAT M12	6
1	HEX NUT M12x1.25	7
4	SPACER 8mm	8
2	SPACER 2mm	9
1	SET SCREW HEX HD M10x30x1.5P	10
1	HEX NUT M10x1.5	11
1	PULL PIN	12
1	R CLIP	13
1	HR H/BOX COLLAR COVER RL	14
1	ACRYLIC COMPLIANCE PLATE	15
1	H.R STICKER	16

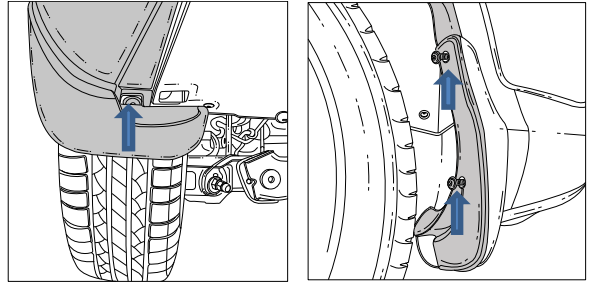


**HAYMAN REESE**  
PART No: 03062RLW  
HONDA CRV DIESEL 2013-ON

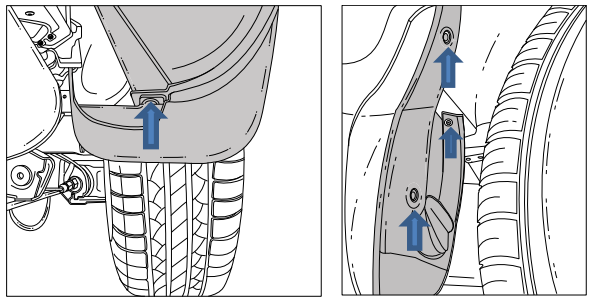
**INSTALLATION INSTRUCTIONS**

PLEASE ENSURE THAT ALL INSTRUCTIONS ARE UNDERSTOOD PRIOR TO FITMENT  
PLACE THESE INSTRUCTIONS IN THE VEHICLES'S GLOVEBOX AFTER INSTALLATION IS COMPLETED

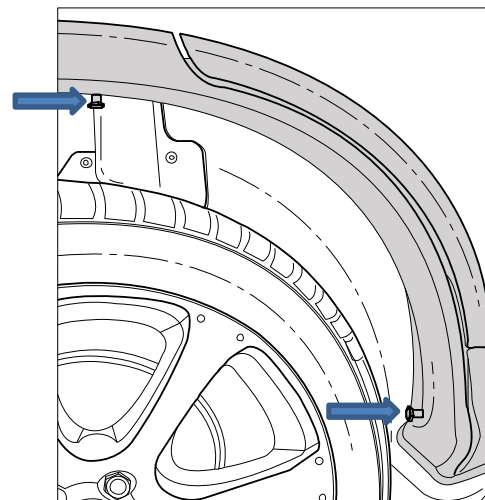
1. Remove 1x Clip and 2 x Screws to remove the Passenger Side Rear Mud Guard as shown.



2. Remove 1x Clip and 3x Screws to remove the Driver Side Rear Mud Guard as shown.



3. Open the rear doors; Remove 2x Screws to pull out the Wheel Arch Protector on both sides as shown in the Pic.

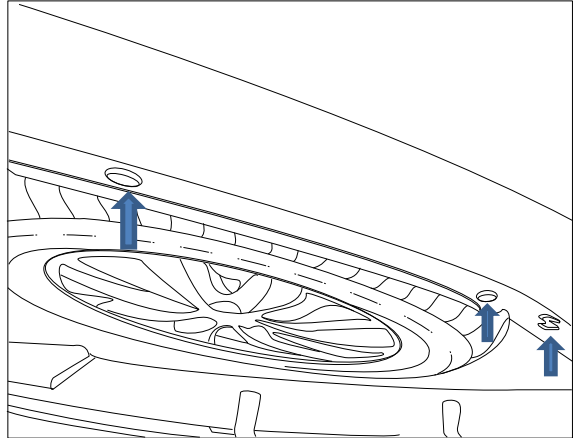


**HAYMAN REESE**  
PART No: 03062RLW  
HONDA CRV DIESEL 2013-ON

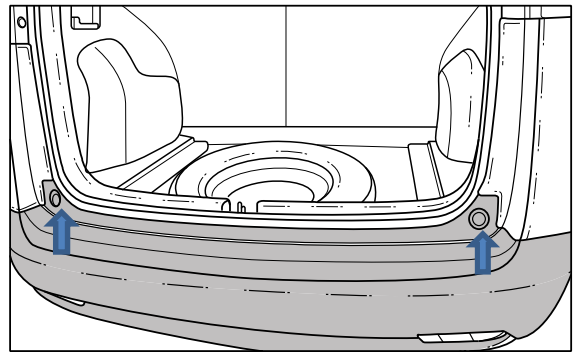
**INSTALLATION INSTRUCTIONS**

PLEASE ENSURE THAT ALL INSTRUCTIONS ARE UNDERSTOOD PRIOR TO FITMENT  
PLACE THESE INSTRUCTIONS IN THE VEHICLES'S GLOVEBOX AFTER INSTALLATION IS COMPLETED

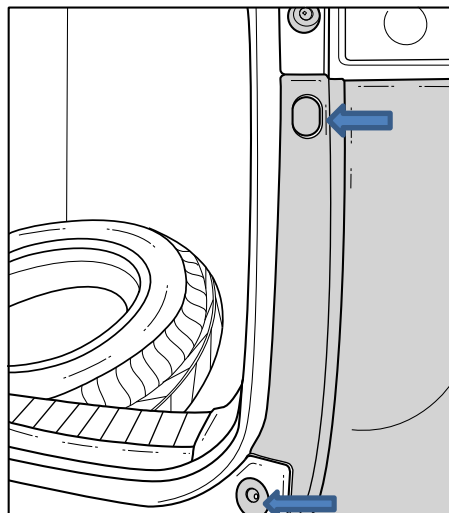
4. Remove 1x Screw and 1x Clip from Wheel Arch after removing the wheel Arch Protector as shown.



5. Remove 2x Bumper Screws from the Boot Cavity as shown.



6. Remove the cover to expose M6 Bolt in the Boot Cavity and then unbolt it from either side.



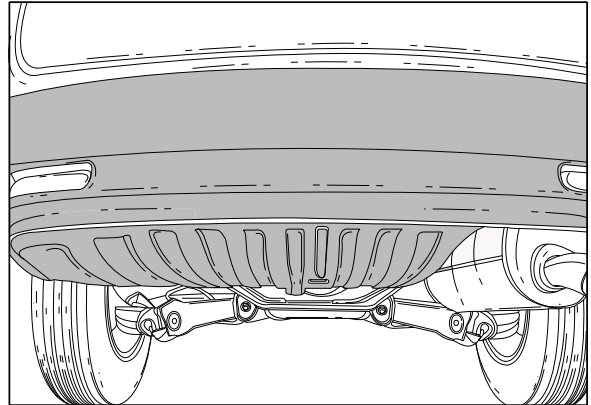
**INSTALLATION INSTRUCTIONS**

PLEASE ENSURE THAT ALL INSTRUCTIONS ARE UNDERSTOOD PRIOR TO FITMENT  
PLACE THESE INSTRUCTIONS IN THE VEHICLES'S GLOVEBOX AFTER INSTALLATION IS COMPLETED

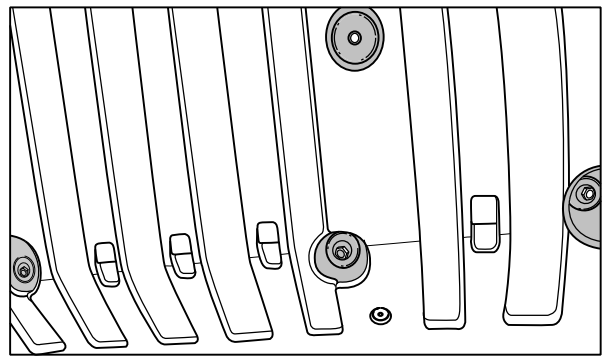
7. Remove 3x Clips from underneath the Bumper and the undercover as shown.

Flex the Bumper at the sides then pull rearwards to remove, some force may be required.

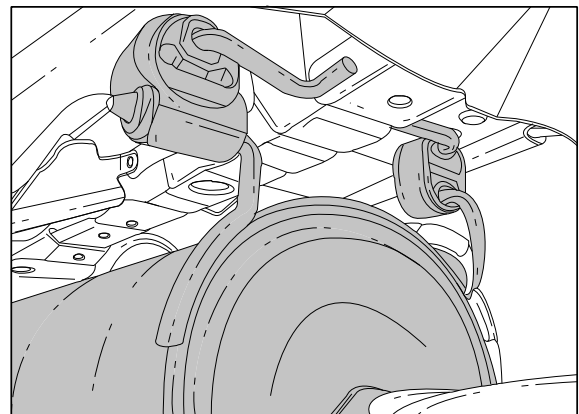
Store the Bumper in a safe Location after removal.



8. Remove the Bumper Cover via 3x Bolts as shown in the picture and Store them in a safe Location after removal.



9. Lower the Exhaust to gain better access as shown by removing the two Muffler Bushings from the Vehicle Pins.



**INSTALLATION INSTRUCTIONS**

PLEASE ENSURE THAT ALL INSTRUCTIONS ARE UNDERSTOOD PRIOR TO FITMENT  
PLACE THESE INSTRUCTIONS IN THE VEHICLES'S GLOVEBOX AFTER INSTALLATION IS COMPLETED

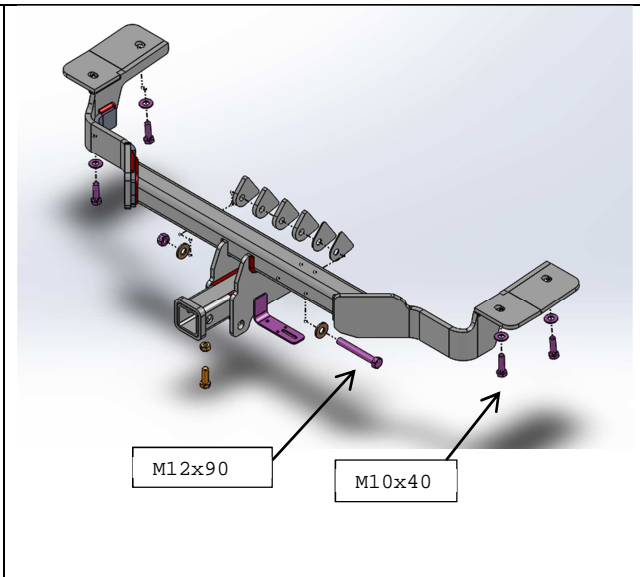
10. Loosely install the Towbar on the vehicle frame;

Use 4x M10x40mm Set Screw with M10 Flat Washer to mount onto Frame;

Loosely install 12mm and 2 mm Packer on both side of Tow Hook, and use M12x90 Bolt with M12 Flat Washer and Nut as shown.

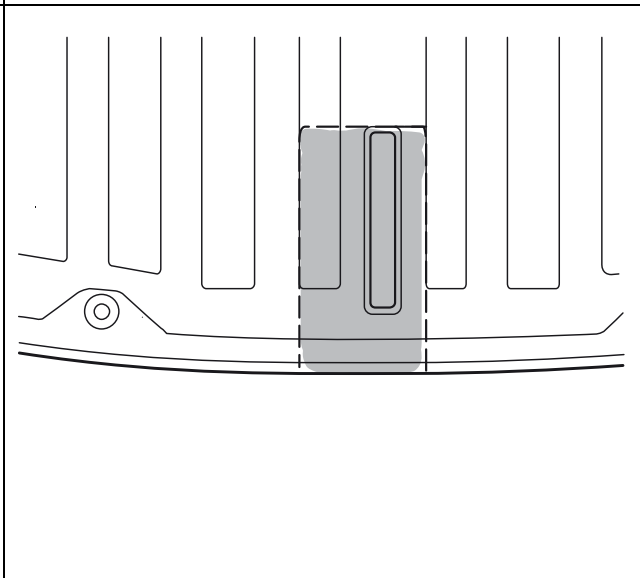
Torque all fasteners to specification on Page 2.

**NOTE: QUANTITY OF PACKERS ARE DETERMINED BY AVAILABLE CLEARANCE ON VEHICLE**



11. Using the tow hook slot as a guide, mark out a cut line, using the horizontal edge of opening and vertical feature lines as a guide

Neatly cut out, using a saw or similar device, remove all burrs.



12. Refit the bumper in reverse order.



**HAYMAN REESE**  
**PART No: 100886-WL**  
**HONDA CRV MY13**

## **INSTALLATION INSTRUCTIONS**

PLEASE ENSURE THAT INSTRUCTIONS ARE UNDERSTOOD PRIOR TO FITMENT

**Wiring Loom Installation Instructions**

**HONDA CRV MY13**

**Part No: 100886-WL**

**Tail Harness Length Required: 1800mm**

**Wiring Loom Installation Time: Approx. 20 minutes**

Issue Date 15-01-13

Page 1

Part No: 100886-WL

Hayman Reese (Cequent)  
PO Box 4050, Dandenong South VIC 3164  
Phone 1800 812 017 Email [info@haymanreese.com.au](mailto:info@haymanreese.com.au)

[www.haymanreese.com.au](http://www.haymanreese.com.au)





**HAYMAN REESE**  
**PART No: 100886-WL**  
**HONDA CRV MY13**

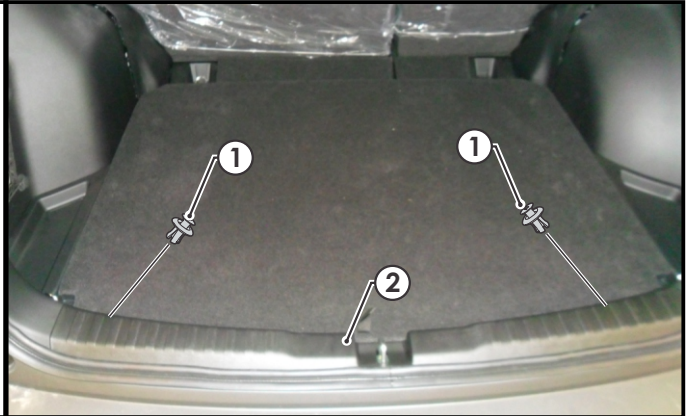
**INSTALLATION INSTRUCTIONS**

PLEASE ENSURE THAT INSTRUCTIONS ARE UNDERSTOOD PRIOR TO FITMENT

1. Remove the carpet cover (1).

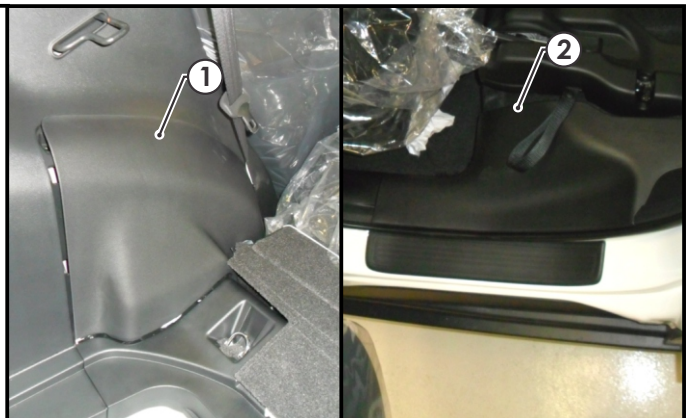


2. Remove the two plastic clips (1) and then remove the rear luggage compartment trim (2) by pulling in an upwards direction.



3. In the LHS rear luggage compartment area, remove the LHS access panel (1).
4. In the LHS rear passenger door sill area, remove the rear passenger seat lower trim (2).

Repeat for the RHS.



Issue Date 15-01-13

Page 2

Part No: 100886-WL

Hayman Reese (Cequent)  
PO Box 4050, Dandenong South VIC 3164  
Phone 1800 812 017 Email [info@haymanreese.com.au](mailto:info@haymanreese.com.au)

[www.haymanreese.com.au](http://www.haymanreese.com.au)



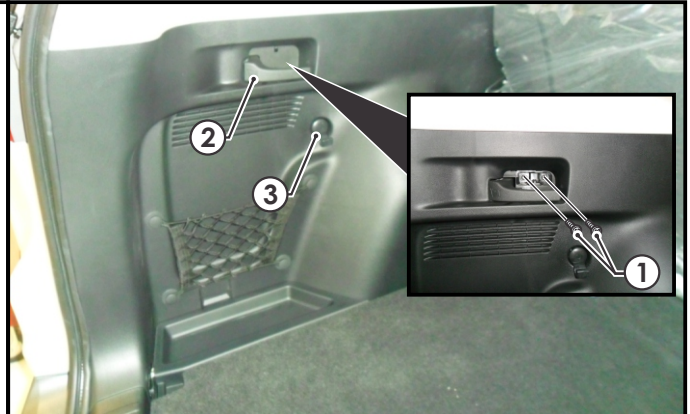
**HAYMAN REESE**  
**PART No: 100886-WL**  
**HONDA CRV MY13**

**INSTALLATION INSTRUCTIONS**

PLEASE ENSURE THAT INSTRUCTIONS ARE UNDERSTOOD PRIOR TO FITMENT

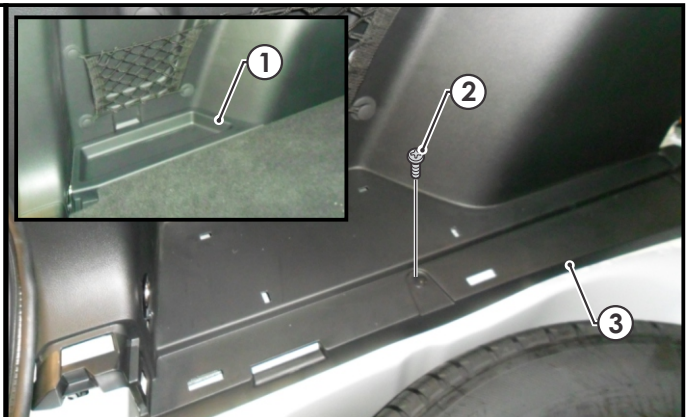
5. Remove the two screws (1) from behind the luggage compartment lever (2).
6. Remove the hook (3) by pushing inwards on the circular clip.

Repeat for the RHS.



7. Remove the storage compartment (1)
8. Remove the one fastener (2) underneath the previously removed storage compartment.
9. Dislodge the LHS luggage compartment trim (3).

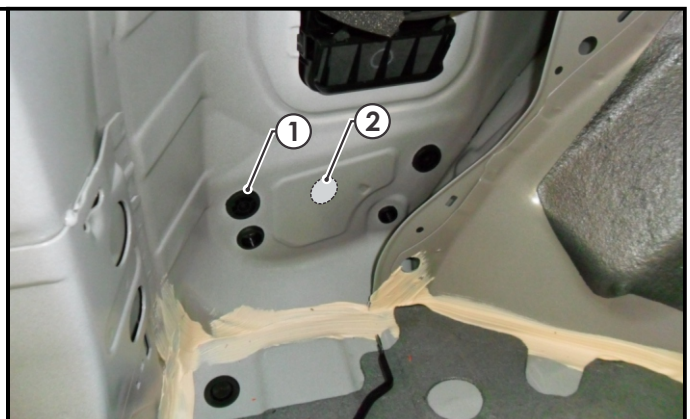
Repeat for the RHS.



10. On the LHS rear quarter of the vehicle, drill out the existing grommet (1) to Ø30mm.

**Note: If the existing grommet is occupied, drill a Ø30mm hole (2) next to it as shown.**

11. File any rough or sharp edges and spray on rust inhibitor.



Issue Date 15-01-13

Page 3

Part No: 100886-WL

Hayman Reese (Cequent)  
PO Box 4050, Dandenong South VIC 3164  
Phone 1800 812 017 Email [info@haymanreese.com.au](mailto:info@haymanreese.com.au)

[www.haymanreese.com.au](http://www.haymanreese.com.au)



**HAYMAN REESE**  
**PART No: 100886-WL**  
**HONDA CRV MY13**

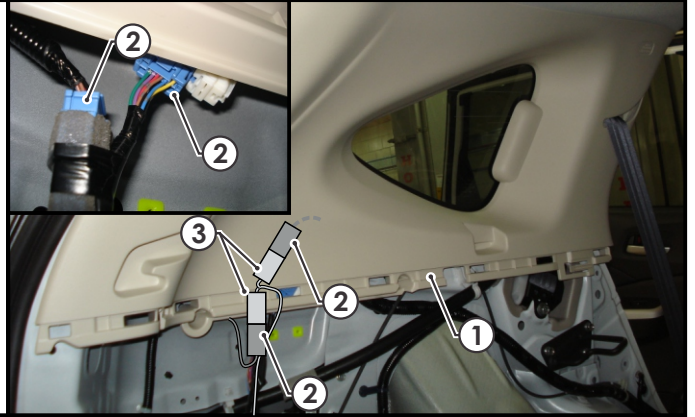
**INSTALLATION INSTRUCTIONS**

PLEASE ENSURE THAT INSTRUCTIONS ARE UNDERSTOOD PRIOR TO FITMENT

12. Dislodge (do not remove) the upper LHS trim (1).

**Note: Ensure air bag clips are not damaged when dislodging the upper LHS trim otherwise the clips MUST BE REPLACED.**

13. Disconnect the LHS tail light assembly connectors (2) and connect the trailer patch (P/No:100866-WL) connectors (3) in between.

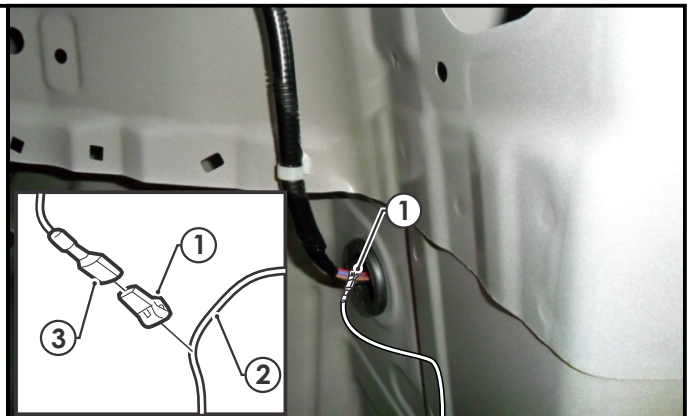


14. Route the trailer patch (P/No: 100886-WL) (1) along the rear of the luggage compartment towards the RHS tail light assembly.



15. On the RHS of the luggage compartment, connect the ezy-tap (1) to the vehicle 'GREEN' right indicator wire (2), then connect the trailer patch terminal (3) to the ezy-tap (1).

Function	Trailer Patch	Vehicle Connector
R. INDICATOR	GREEN	GREEN



Issue Date 15-01-13

Page 4

Part No: 100886-WL

Hayman Reese (Cequent)  
 PO Box 4050, Dandenong South VIC 3164  
 Phone 1800 812 017 Email [info@haymanreese.com.au](mailto:info@haymanreese.com.au)

[www.haymanreese.com.au](http://www.haymanreese.com.au)





**HAYMAN REESE**  
**PART No: 100886-WL**  
**HONDA CRV MY13**

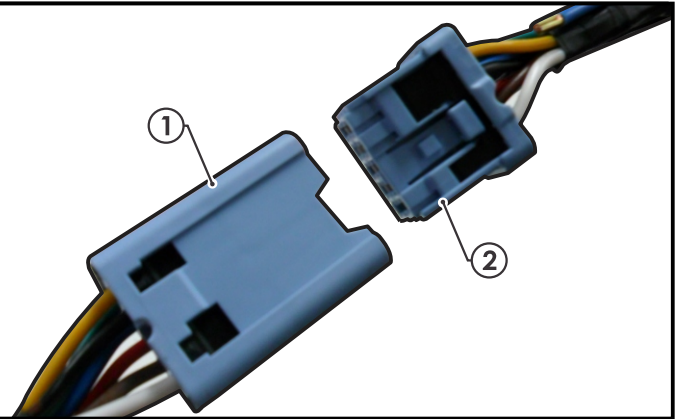
**INSTALLATION INSTRUCTIONS**

PLEASE ENSURE THAT INSTRUCTIONS ARE UNDERSTOOD PRIOR TO FITMENT

16. Mount the trailer socket (1) to the tow bar mounting bracket using M4 fasteners (not supplied).
17. Route the tail harness (tail length 1800mm) (2) across the tow bar towards the LHS of the vehicle and up through the previously drilled out hole.
18. Ensure the tail harness grommet is seated correctly and secured in place using a cable tie (not supplied).



19. Connect the tail harness (tail length 1800mm) 8-way connector (1) to the trailer patch mating 8-way connector (2).



20. Test the trailer wiring harness function using a light board or multi meter.
21. Secure all harnesses using cable ties (not supplied).
22. Re-fit all removed parts and secure all fasteners, ensuring there are no squeaks or rattles.
23. Place the fitting instructions in the glove box after fitment.

Issue Date 15-01-13

Page 5

Part No: 100886-WL

Hayman Reese (Cequent)  
PO Box 4050, Dandenong South VIC 3164  
Phone 1800 812 017 Email [info@haymanreese.com.au](mailto:info@haymanreese.com.au)