

**HAYMAN REESE**  
**PART No: 03156RW**  
**HYUNDAI SANTA FE – DM SERIES**  
**INSTALLATION INSTRUCTIONS**

PLEASE ENSURE THAT ALL INSTRUCTIONS ARE UNDERSTOOD PRIOR TO FITMENT  
PLACE THESE INSTRUCTIONS IN THE VEHICLE'S GLOVEBOX AFTER INSTALLATION IS COMPLETED



**Installation Time: Approx. 60 Mins**

**Towbar Installation Instructions**

**Towbar capacity**

**HYUNDAI SANTA FE – DM SERIES**

**Part Number 03156RW**

**Max Towing Braked 2500 kg**

**Max Static Ball Load 100 kg**

**Max Static Ball Load (For use with Spring Kit Only) 150 kg**

Hayman Reese (Cequent)  
PO Box 4050, Dandenong South VIC 3164  
Phone 1800 812 017 Email [info@haymanreese.com.au](mailto:info@haymanreese.com.au)

**HAYMAN REESE**  
**PART No: 03156RW**  
**HYUNDAI SANTA FE 09/2012 ON**

**INSTALLATION INSTRUCTIONS**

PLEASE ENSURE THAT ALL INSTRUCTIONS ARE UNDERSTOOD PRIOR TO FITMENT  
PLACE THESE INSTRUCTIONS IN THE VEHICLES'S GLOVEBOX AFTER INSTALLATION IS COMPLETED

**Warning:**

1. Do not, drill, cut, weld or otherwise modify the towbar.
2. If you are using electric welding on a motor vehicle, **always** check that the vehicle is not equipped with electronic engine or instrument management equipment. Failure to do so could **destroy** any onboard computers. If in doubt, check with the vehicle's manufacturer.

**General:**

1. Ensure all hardware items have been included refer to assembly diagram.
2. It is recommended that the instructions are read through and completely understood before making any attempt to fit this product.
3. Be wary of any changes to vehicle designs or other accessories that may conflict with the installation of this product.
4. Before drilling ensure that the area is clear of fuel, electrical & other components.
5. All holes drilled into the body panels shall have all burrs & swarf removed then coated with a suitable rust preventative paint.
6. The high tensile fasteners supplied with this product were used to achieve the specified rating. If replacement is required ensure that fasteners of the same rating & quality are used. Contact an authorised **Hayman Reese** dealer if further information is required.
7. Ensure that all hardware is fastened to torque list below check fasteners on regular basis.
8. Towbar load rating sticker provided with this product shall be conspicuously located on inside rear end of the driver's door. **(See diagram below).**
9. Hayman Reese recommends that you check your tow ball to ensure that it complies with the Australian standards **AS 4177.2**.
10. **PLEASE NOTE:** It is advised to remove your lug or tbn when not actually towing so as to produce a clear view of the vehicles registration plate if obscured, and to also provide maximum available departure angle.
11. Pull Pin must be fit in down position.

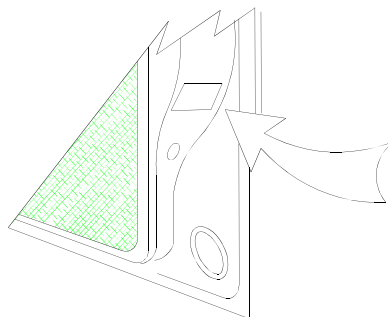
**Tow bar Maintenance and Care.**

Hayman Reese recommends that bolt torque's, as listed below, are routinely and regularly inspected and checked for correct tension. Replace any worn or defective parts.

We recommended to remove Tow Ball Mounts (TBM's, tongues or lugs) when not being used for any considerable length of time.

So as to avoid injury, when not towing it is suggested that the tongue, Pull Pin and R-clip are removed then stored in a safe, clean and dry place, away from excessive moisture.

Hitch Pull Pins and spring "R" clips are regularly checked for proper installation. Replace any worn or defective parts.



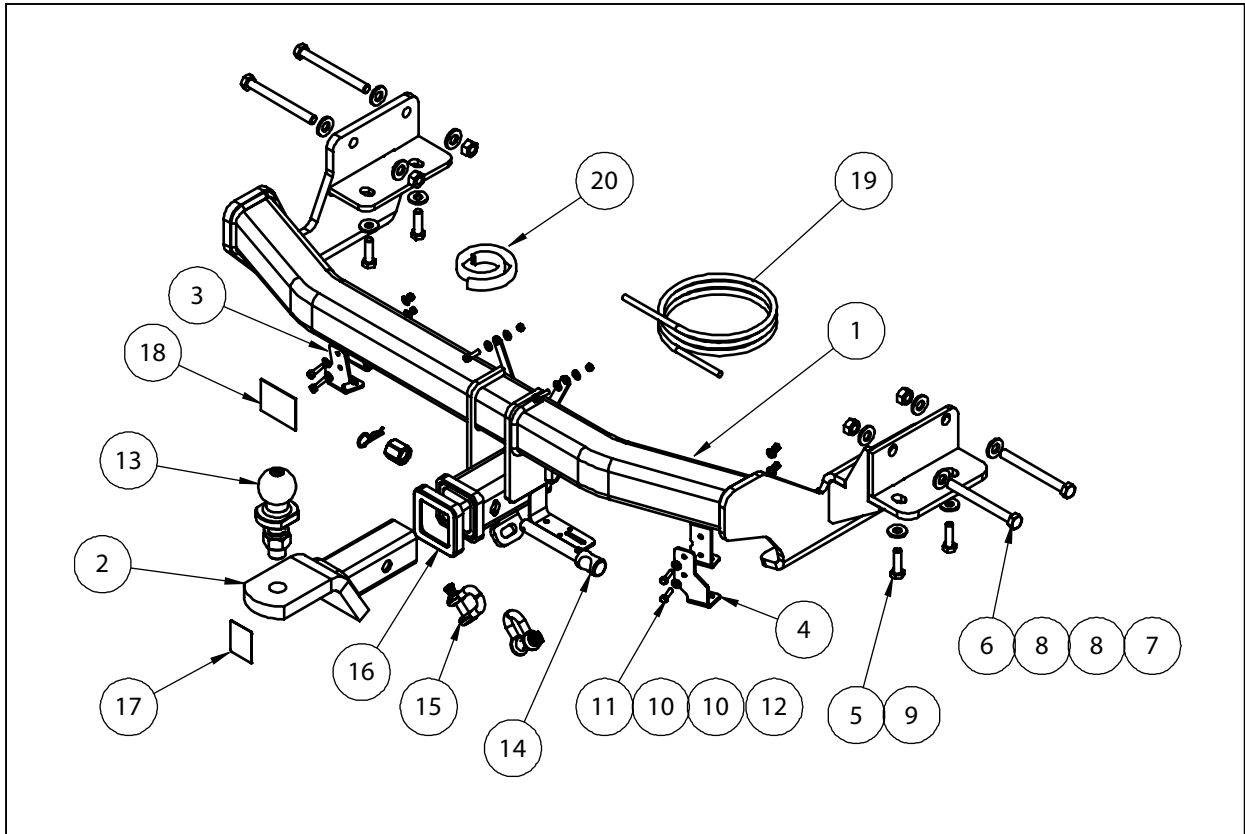
**Place load rating sticker  
inside driver's door here**

**FOR TOWING PURPOSES ONLY**  
For towing capacity details please refer to vehicle  
owner's manual or to the manufacturer. Overloading can  
void your warranties.

**HAYMAN REESE**  
**PART No: 03156RW**  
**HYUNDAI SANTA FE 09/2012 ON**

**INSTALLATION INSTRUCTIONS**

PLEASE ENSURE THAT ALL INSTRUCTIONS ARE UNDERSTOOD PRIOR TO FITMENT  
 PLACE THESE INSTRUCTIONS IN THE VEHICLES'S GLOVEBOX AFTER INSTALLATION IS COMPLETED



QTY.	DESCRIPTION	ITEM NO.
1	TOWBAR WELDED ASSY	1
1	TBM ASSY	2
1	BUMPER ADAPTER PASSENGER SIDE	3
1	BUMER ADAPTER DRIVERS SIDE	4
4	WASHER FT M10x25.4x3	5
4	BOLT HEX HD M12x120x1.25P	6
4	HEX NUT M12x1.25 PC8	7
8	WASHER FLAT 1/2"x1 1/8"x1/8"	8
4	SET SCREW HEX HD M10x35x1.25P	9
12	WASHER FLAT M6x12.5x1.2	10
6	SET SCREW HEX HD M5x20x0.8P	11
6	NUT NYLOC M5-0.8 Z/P	12
1	HR TOWBALL	13
1	ANTI-RATTLE PULL PIN ASSY GOLD	14
2	10MM "D" SHACKLE	15
1	HITCH BOX COLLAR COVER	16
1	H.R STICKER	17
1	COMPLAINEE PLATE LABEL	18
1	WIRING LOOM	19
1	BUMPER TRIM PINCH WELD 350MM	20

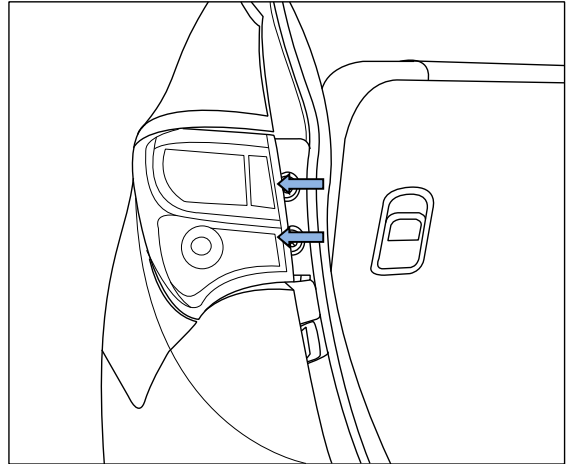
**HAYMAN REESE**  
PART No: 03156RW  
HYUNDAI SANTA FE 09/2012 ON

**INSTALLATION INSTRUCTIONS**

PLEASE ENSURE THAT ALL INSTRUCTIONS ARE UNDERSTOOD PRIOR TO FITMENT  
PLACE THESE INSTRUCTIONS IN THE VEHICLES'S GLOVEBOX AFTER INSTALLATION IS COMPLETED

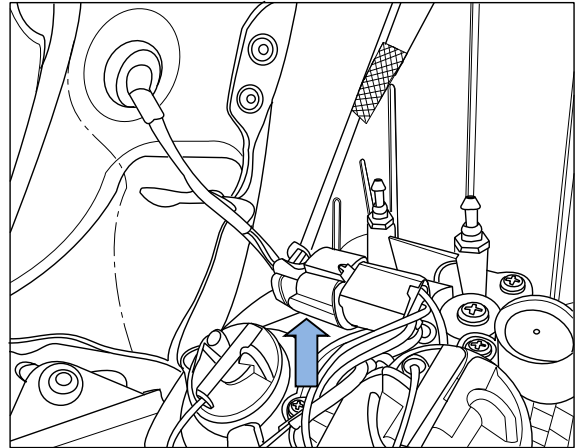
1. Open boot and remove 2x Screws from the LHS Tail Light.

Repeat for RHS.



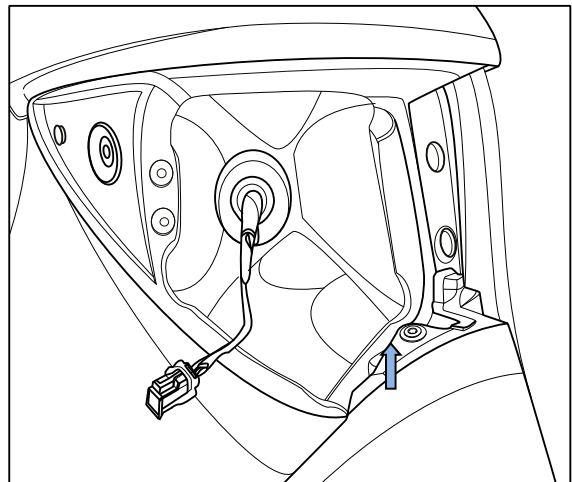
2. Remove LHS Tail Light and disconnect the Connector.

Repeat for RHS.



3. Remove 1x Scrivet from inside the LHS Tail Light Cavity.

Repeat for RHS.



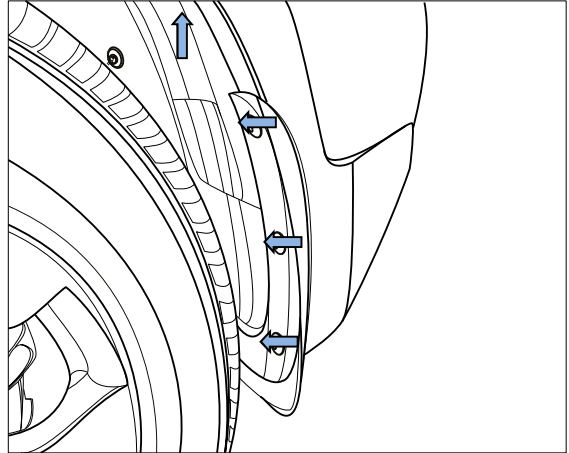
**HAYMAN REESE**  
PART No: 03156RW  
HYUNDAI SANTA FE 09/2012 ON

**INSTALLATION INSTRUCTIONS**

PLEASE ENSURE THAT ALL INSTRUCTIONS ARE UNDERSTOOD PRIOR TO FITMENT  
PLACE THESE INSTRUCTIONS IN THE VEHICLE'S GLOVEBOX AFTER INSTALLATION IS COMPLETED

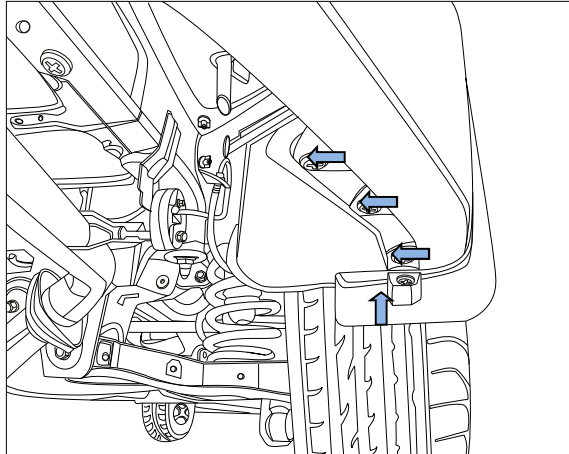
4. Remove 4x Screws from inside the LHS Wheel Arch.

Repeat for RHS.



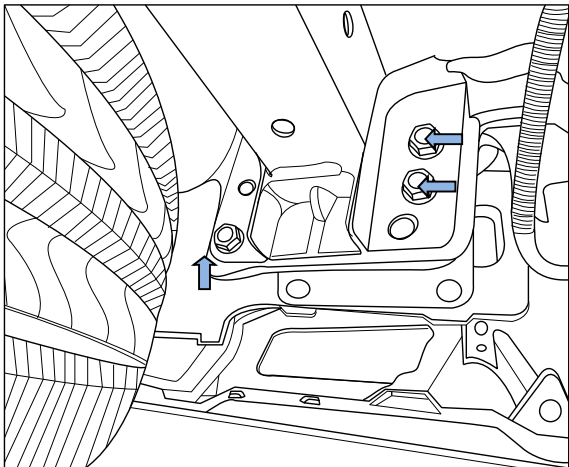
5. Remove 4x Screws from underneath of Bumper on the LHS.

Repeat for the RHS.



6. Remove 3x Bolts from underneath vehicle on LHS Back Panel.

Repeat for RHS.

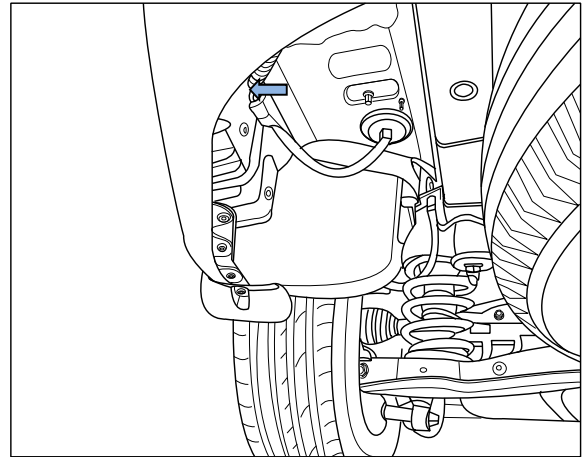


**INSTALLATION INSTRUCTIONS**

PLEASE ENSURE THAT ALL INSTRUCTIONS ARE UNDERSTOOD PRIOR TO FITMENT  
PLACE THESE INSTRUCTIONS IN THE VEHICLES'S GLOVEBOX AFTER INSTALLATION IS COMPLETED

7. Disconnect the Wiring Connector near the LHS Chassis Rail at the Rear of the vehicle. If fitted, remove reverse Sensor and Rear view Camera Connectors.

Carefully remove Bumper and place in a safe area.



8. Remove Rubber Grommet from underneath of both Chassis Rails.

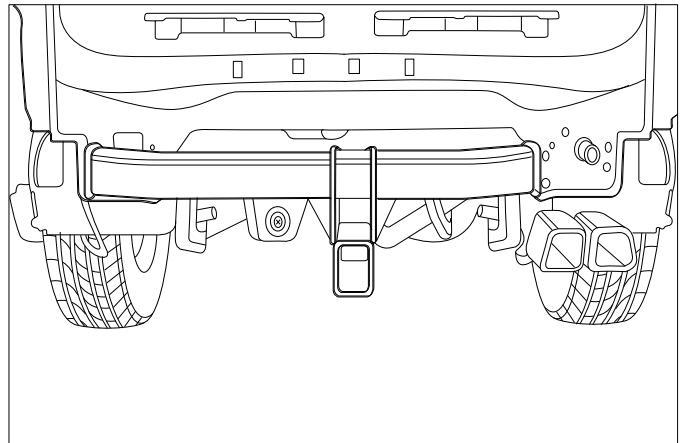
Offer towbar to vehicle.

The Towbar will sit on the outer face of the LHS Chassis Rail, and the inner face of the RHS Chassis Rail.

Loosely secure the Towbar using the fastener sequence as seen on Page 3.

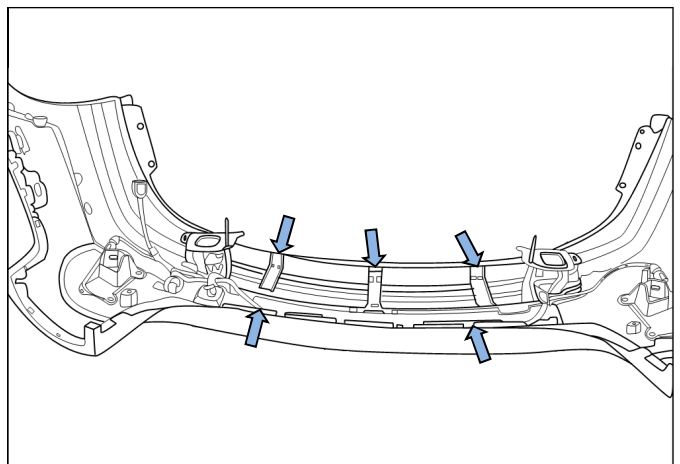
Tighten to the following torque specifications:

- M12 x 120 x 1.25P GR10.9 = 125Nm
- M10 x 35 x 1.25P = 49Nm



9. Remove Impact Beam from Bumper by dislodging 5x Scrivets and Wiring Plugs.

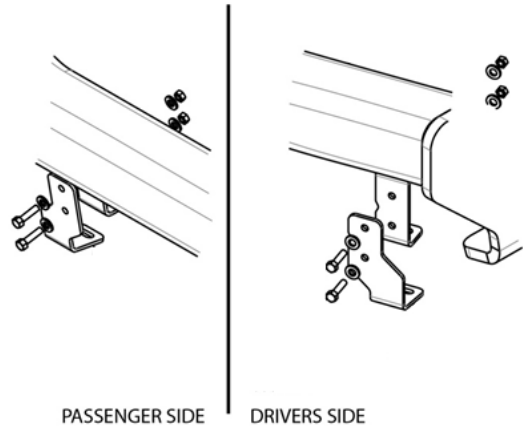
Retain 2x Scrivets.



**INSTALLATION INSTRUCTIONS**

PLEASE ENSURE THAT ALL INSTRUCTIONS ARE UNDERSTOOD PRIOR TO FITMENT  
PLACE THESE INSTRUCTIONS IN THE VEHICLE'S GLOVEBOX AFTER INSTALLATION IS COMPLETED

10. Attach Bumper Tab Brackets onto Towbar by using 2x M5 Bolts, 4x M5 Washers, and 2x M5 Nyloc Nuts per side.

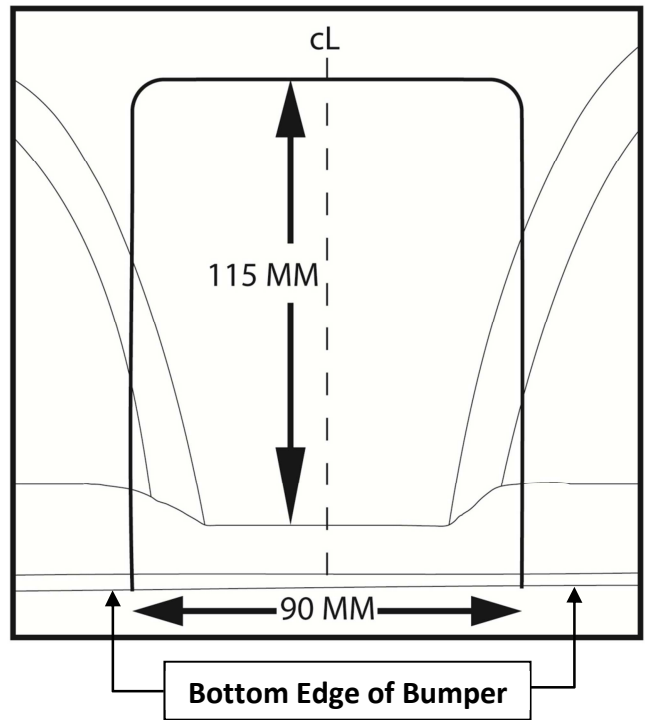


11. Identify the centreline of the bumper; perform a bumper cut by measuring the outside of the bumper as per the image shown.

Use bumper trim supplied.

Re-attach the Bumper using steps 1-7 in reverse order.

Use two retained scrivenets to attach Bumper to Towbar bumper tab brackets.



**HAYMAN REESE**  
**PART No: 100863-WL**  
**HYUNDAI SANTA FE MY12**

**INSTALLATION INSTRUCTIONS**

PLEASE ENSURE THAT INSTRUCTIONS ARE UNDERSTOOD PRIOR TO FITMENT

**Wiring Loom Installation Instructions**

**HYUNDAI SANTA FE MY12**

**Part No: 100863-WL**

**Tail Harness Length Required: 1200mm**

**Wiring Loom Installation Time: Approx. 45 minutes**

Issue Date 08-11-12

Page 1

Part No: 100863-WL

Hayman Reese (Cequent)  
PO Box 4050, Dandenong South VIC 3164  
Phone 1800 812 017 Email [info@haymanreese.com.au](mailto:info@haymanreese.com.au)

[www.haymanreese.com.au](http://www.haymanreese.com.au)





**HAYMAN REESE**  
**PART No: 100863-WL**  
**HYUNDAI SANTA FE MY12**

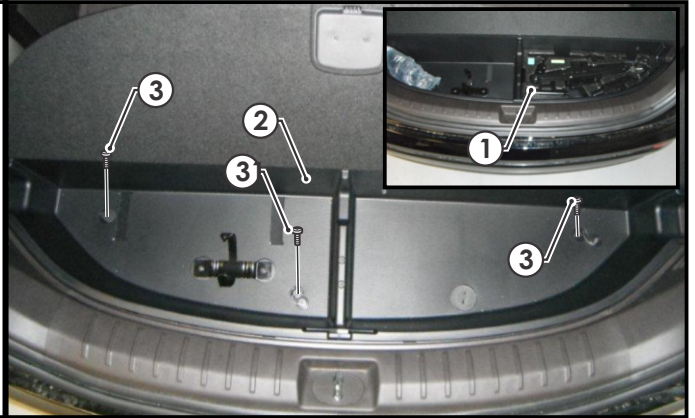
**INSTALLATION INSTRUCTIONS**

PLEASE ENSURE THAT INSTRUCTIONS ARE UNDERSTOOD PRIOR TO FITMENT

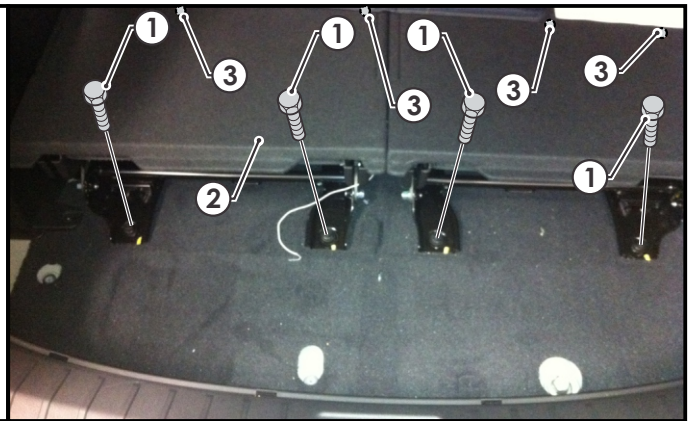
1. In the luggage compartment, remove the sun shade (1) and the tool compartment cover (2).



2. Remove the luggage compartment foam tool tray (1).
3. Remove the plastic tool tray (2) by removing the three screws (3).



4. In the luggage compartment, remove the four bolts (1) on the third row passenger seats (2) and the four bolts (3) in front of the third row of the passenger seats (2).
5. Remove the third row passenger seats (2) from the vehicle.



Issue Date 08-11-12

Page 2

Part No: 100863-WL

Hayman Reese (Cequent)  
PO Box 4050, Dandenong South VIC 3164  
Phone 1800 812 017 Email [info@haymanreese.com.au](mailto:info@haymanreese.com.au)

[www.haymanreese.com.au](http://www.haymanreese.com.au)



**HAYMAN REESE**  
**PART No: 100863-WL**  
**HYUNDAI SANTA FE MY12**

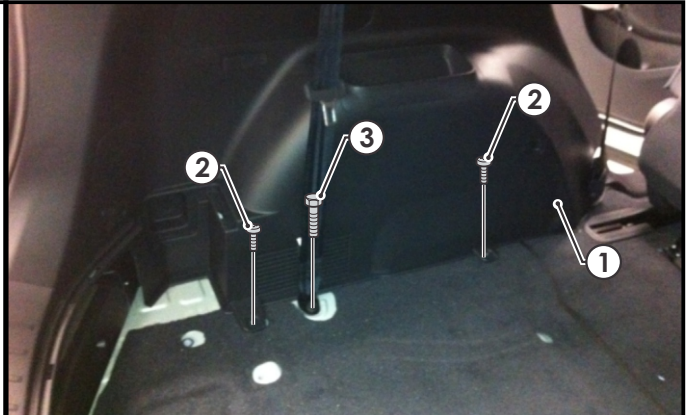
**INSTALLATION INSTRUCTIONS**

PLEASE ENSURE THAT INSTRUCTIONS ARE UNDERSTOOD PRIOR TO FITMENT

6. On the LHS of the luggage compartment trim (1), remove the two screws (2) and one seat belt bolt (3).
7. Dislodge the LHS luggage compartment trim (1).

Repeat for the RHS.

**Note: On the RHS luggage compartment, 12v power and light connector may need to be disconnected before dislodging.**



8. Dislodge the RHS second row passenger seats (1) to gain access to the RHS side panel trim.
9. Remove the door sill trim (2).



10. On the driver's side, remove the door sill trim (1).



Issue Date 08-11-12

Page 3

Part No: 100863-WL

Hayman Reese (Cequent)  
PO Box 4050, Dandenong South VIC 3164  
Phone 1800 812 017 Email [info@haymanreese.com.au](mailto:info@haymanreese.com.au)

[www.haymanreese.com.au](http://www.haymanreese.com.au)



**HAYMAN REESE**  
**PART No: 100863-WL**  
**HYUNDAI SANTA FE MY12**

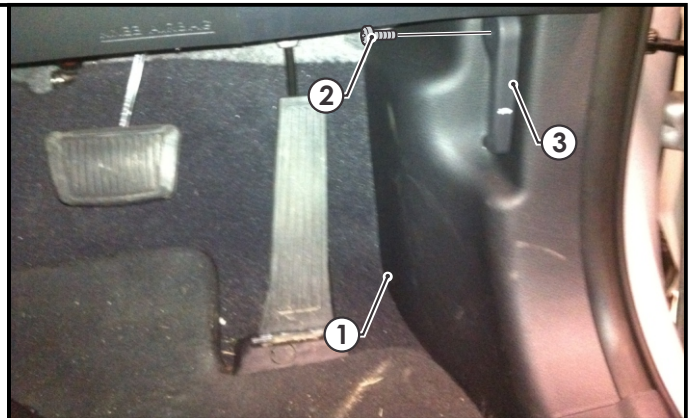
**INSTALLATION INSTRUCTIONS**

PLEASE ENSURE THAT INSTRUCTIONS ARE UNDERSTOOD PRIOR TO FITMENT

11. Dislodge the RHS 'B' pillar trim (1).



12. Underneath the driver's side dash, remove the RHS kick panel trim (1) by first remove the screw (2) on the bonnet lever (3).



13. On the outside of the vehicle, remove the RHS tail light (1) by first removing the two screws (2).



Issue Date 08-11-12

Page 4

Part No: 100863-WL

Hayman Reese (Cequent)  
PO Box 4050, Dandenong South VIC 3164  
Phone 1800 812 017 Email [info@haymanreese.com.au](mailto:info@haymanreese.com.au)

[www.haymanreese.com.au](http://www.haymanreese.com.au)



**HAYMAN REESE**  
**PART No: 100863-WL**  
**HYUNDAI SANTA FE MY12**

**INSTALLATION INSTRUCTIONS**

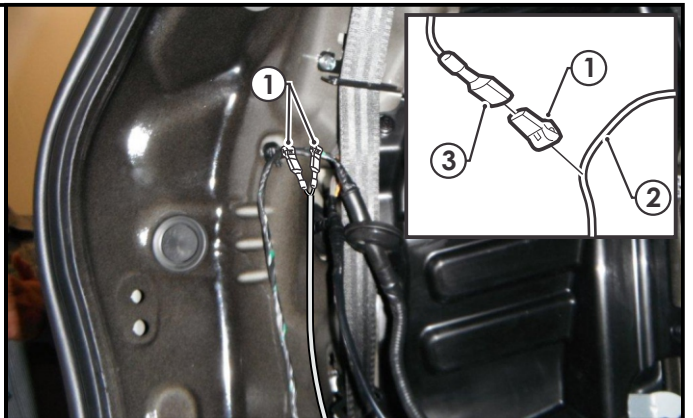
PLEASE ENSURE THAT INSTRUCTIONS ARE UNDERSTOOD PRIOR TO FITMENT

14. On the RHS rear quarter of the vehicle, drill a Ø30mm hole (1).
15. File any rough or sharp edges and spray with rust inhibitor.

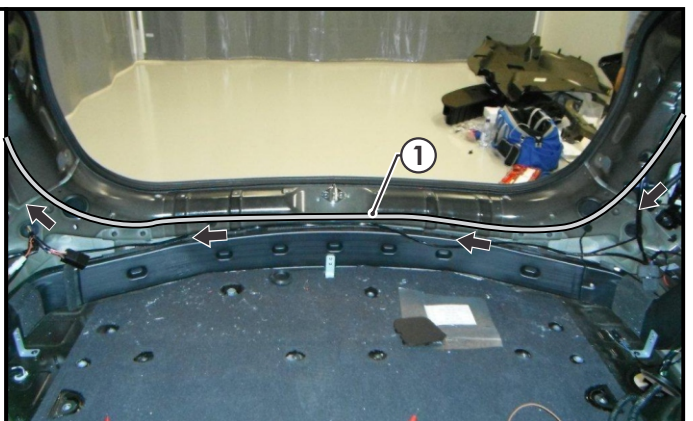


16. On the LHS of the luggage compartment, connect the ezy-tap (1) to the corresponding vehicle wires (2), then connect the trailer patch terminals (3) to the ezy-tap (1).

Function	Trailer Patch	Vehicle Connector
L.IND	YELLOW	YELLOW / BLACK
REVERSE	BLACK	RED



17. Route the trailer harness (1) towards the RHS of the vehicle tail light.



Issue Date 08-11-12

Page 5

Part No: 100863-WL

Hayman Reese (Cequent)  
 PO Box 4050, Dandenong South VIC 3164  
 Phone 1800 812 017 Email [info@haymanreese.com.au](mailto:info@haymanreese.com.au)

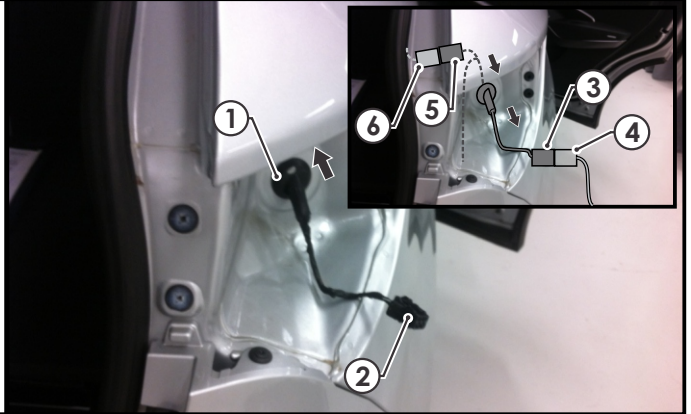


**HAYMAN REESE**  
**PART No: 100863-WL**  
**HYUNDAI SANTA FE MY12**

**INSTALLATION INSTRUCTIONS**

PLEASE ENSURE THAT INSTRUCTIONS ARE UNDERSTOOD PRIOR TO FITMENT

18. On the RHS of the vehicle, from the outside feed the existing vehicle grommet (1) and tail light connector (2) through the grommet hole and into the vehicle.
19. Inside the luggage compartment, feed the trailer harness (100863-WL) (3) through the grommet hole and connect to the tail light assembly connector (4).
20. Connect the 2nd trailer harness connector (5) to the mating vehicle connector (6).



21. Using a tek screw, secure the ground ring terminal (1) to the sheet metal as shown.



22. Route the 'ORANGE' power wire (1) along the RHS existing vehicle harness (2).



Issue Date 08-11-12

Page 6

Part No: 100863-WL

Hayman Reese (Cequent)  
PO Box 4050, Dandenong South VIC 3164  
Phone 1800 812 017 Email [info@haymanreese.com.au](mailto:info@haymanreese.com.au)

**HAYMAN REESE**  
**PART No: 100863-WL**  
**HYUNDAI SANTA FE MY12**

**INSTALLATION INSTRUCTIONS**

PLEASE ENSURE THAT INSTRUCTIONS ARE UNDERSTOOD PRIOR TO FITMENT

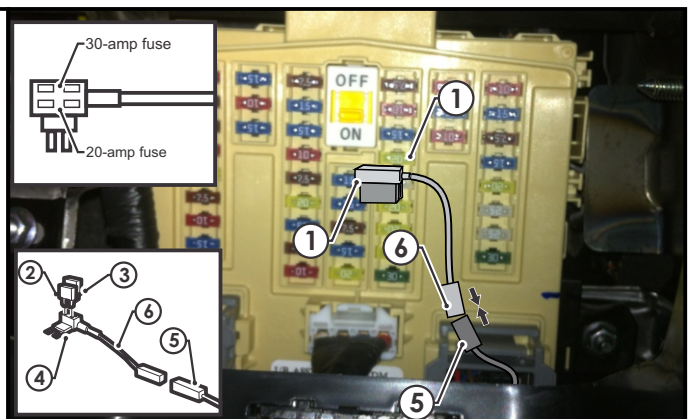
23. Continue routing the 'ORANGE' power wire (1), past the 'B' pillar trim and the drivers side door sill towards the front of the vehicle.



24. Continue routing the 'ORANGE' power wire (1) up through the kick panel area towards the fuse panel.



25. Inside the fuse panel, locate the 20-amp (1) fuse as shown and discard.
26. Insert the supplied 20-amp fuse (2) into the lower slot of the add-a-fuse (3) and insert the supplied 30-amp fuse (3) into the upper slot of the add-a-fuse (4).
27. Plug the add-a-fuse (4) into the previously removed 20-amp fuse slot.
28. Connect the power patch 1-way connector (5) into the add-a-fuse harness mating connector (6).



Issue Date 08-11-12

Page 7

Part No: 100863-WL

Hayman Reese (Cequent)  
PO Box 4050, Dandenong South VIC 3164  
Phone 1800 812 017 Email [info@haymanreese.com.au](mailto:info@haymanreese.com.au)

[www.haymanreese.com.au](http://www.haymanreese.com.au)



**HAYMAN REESE**  
**PART No: 100863-WL**  
**HYUNDAI SANTA FE MY12**

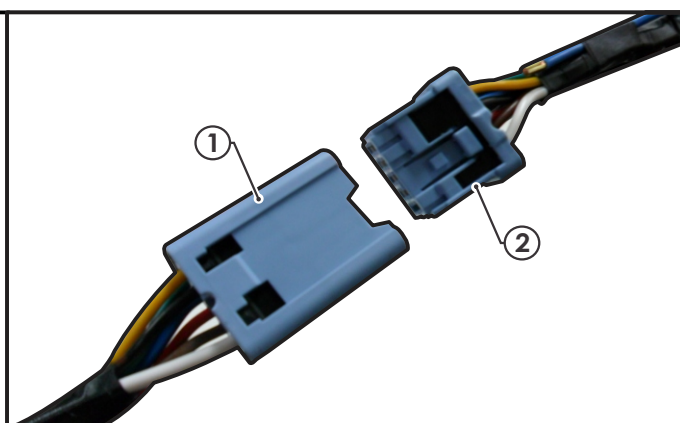
**INSTALLATION INSTRUCTIONS**

PLEASE ENSURE THAT INSTRUCTIONS ARE UNDERSTOOD PRIOR TO FITMENT

29. Mount the trailer socket (1) to the tow bar mounting bracket using M4 fasteners (not supplied).
30. Route the tail harness (2) across the tow bar towards the LHS of the vehicle and up through the previously drilled out hole.
31. Ensure the tail harness grommet is seated correctly and secure in place using a cable tie (not supplied).



32. Connect the tail harness (tail length 1200mm) 8-way connector (1) to the trailer patch mating 8-way connector (2).



33. Test the trailer patch function using a light board or multi meter.
34. Secure all harnesses using cable ties (not supplied).
35. Re-fit all removed parts and secure all fasteners, ensuring there are no squeaks or rattles.
36. Place the fitting instructions in the glove box after fitment.

Issue Date 08-11-12

Page 8

Part No: 100863-WL

Hayman Reese (Cequent)  
PO Box 4050, Dandenong South VIC 3164  
Phone 1800 812 017 Email [info@haymanreese.com.au](mailto:info@haymanreese.com.au)

[www.haymanreese.com.au](http://www.haymanreese.com.au)





# FITTING INSTRUCTIONS

## Smart Pin (55070BL)

• These fitting instructions are supplied to ensure understanding of how the SMART PIN should be fitted and used correctly.

• Once installed, we recommend **ALL** instructions are kept and placed in the vehicle glove box.

**NOTE: Routine maintenance and inspection of the towbar & SMART PIN is required. Regularly inspect for wear and check the tightness of the SMART PIN NUT. Follow instructions below to retighten the nut when necessary.**

**\*Do not tow with your vehicle if the R CLIP or the SMART PIN NUT is loose or missing. Replacement parts are available from your Hayman Reese Distributor.**

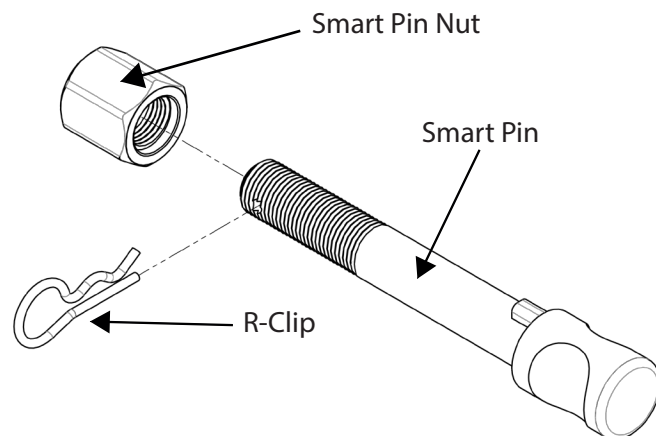
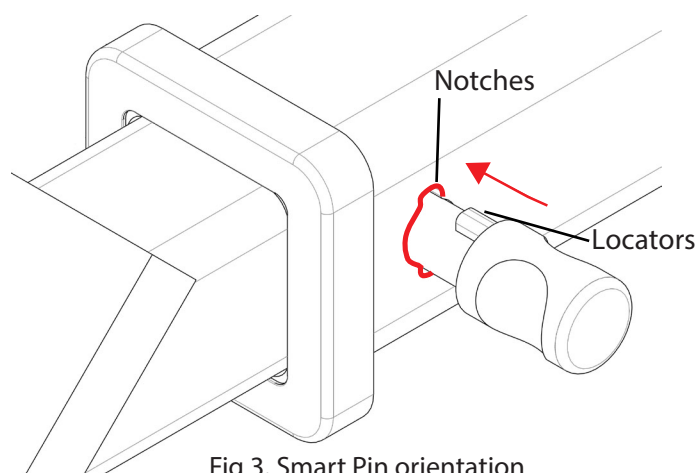
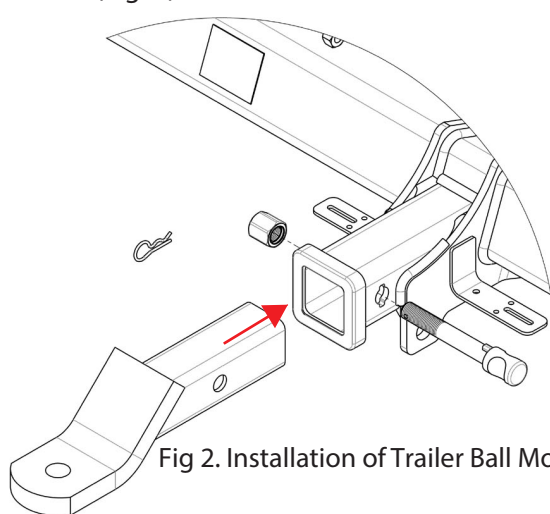


Fig 1. Smart Pin assembly

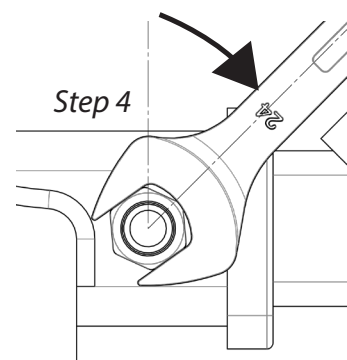
**STEP 1** Insert Trailer Ball Mount (TBM) into towbar HITCHBOX, aligning hole in TBM SHANK with hole in HITCHBOX (Fig. 2).



**STEP 2** Insert SMART PIN through hole in HITCHBOX and hole in TBM SHANK; ensure the LOCATORS are inserted into the NOTCHES in the HITCHBOX (Fig. 3).

**STEP 3** Screw SMART PIN NUT onto SMART PIN; tighten SMART PIN NUT until finger tight, ensuring TBM is restrained from movement.

**STEP 4** Tighten SMART PIN NUT by turning nut a further 1/8th of a turn in the clockwise direction using a 24mm spanner (Fig 4).



**STEP 5** Install SMART PIN R CLIP through the hole on the SMART PIN (Fig. 1).

