

HAYMAN REESE
PART No: **03193RW**
HAVAL H6 CL4

INSTALLATION INSTRUCTIONS

PLEASE ENSURE THAT INSTRUCTIONS ARE UNDERSTOOD PRIOR TO FITMENT
PLACE THESE INSTRUCTIONS IN THE VEHICLE'S GLOVEBOX AFTER INSTALLATION IS COMPLETED



Installation Time: Approx **130** Mins

Towbar Installation Instructions

Towbar capacity

HAVAL H6 CL4

Part Number **03193RW**

Max Towing Braked **1500** kg

Max Towing Unbraked **700** kg

Max Static Ball Load **60** kg

Tail Harness Length Required: 400mm

ECU Required: 04836

Hayman Reese (Cequent)
PO Box 4050, Dandenong South VIC 3164
Phone 1800 812 017 Email info@haymanreese.com.au

www.haymanreese.com.au



HAYMAN REESE
PART No: 03193RW
HAVAL H6 CL4

INSTALLATION INSTRUCTIONS

PLEASE ENSURE THAT INSTRUCTIONS ARE UNDERSTOOD PRIOR TO FITMENT
PLACE THESE INSTRUCTIONS IN THE VEHICLE'S GLOVEBOX AFTER INSTALLATION IS COMPLETED

Warning:

1. Do not, drill, cut, weld or otherwise modify the towbar.
2. If you are using electric welding on a motor vehicle, **always** check that the vehicle is not equipped with electronic engine or instrument management equipment. Failure to do so could **destroy** any on board computers. If in doubt, check with the vehicle's manufacturer.
3. If TBM is used in inverted position tow ball may make contact with rear tailgate when lowered, which could cause damage.

General:

1. Ensure all hardware items have been included refer to assembly diagram.
2. It is recommended that the instructions are read through and completely understood before making any attempt to fit this product.
3. Be wary of any changes to vehicle designs or other accessories that may conflict with the installation of this product.
4. Before drilling ensure that the area is clear of fuel, electrical & other components.
5. All holes drilled into the body panels shall have all burrs & swarf removed then coated with a suitable rust preventative paint.
6. The high tensile fasteners supplied with this product were used to achieve the specified rating. If replacement is required ensure that fasteners of the same rating & quality are used. Contact an authorised **Hayman Reese** dealer if further information is required.
7. Ensure that all hardware is fastened to torque list below check fasteners on regular basis.
8. Towbar load rating sticker provided with this product shall be conspicuously located on inside rear end of the driver's door. **(See diagram below).**
9. Hayman Reese recommends that you check your tow ball to ensure that it complies with the Australian standards **AS 4177.2**.
10. **PLEASE NOTE:** It is advised to remove your LUG or TBM when not actually towing so as to produce a clear view of the vehicles registration plate if obscured, and to also provide maximum available departure angle.

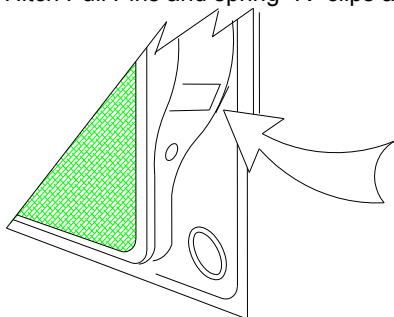
Tow bar Maintenance and Care.

Hayman Reese recommends that bolt torque's, as listed below, are routinely and regularly inspected and checked for correct tension. Replace any worn or defective parts.

We recommended to remove Tow Ball Mounts (TBM's, tongues or lugs) when not being used for any considerable length of time.

So as to avoid injury, when not towing it is suggested that the tongue, Pull Pin and R-clip are removed then stored in a safe, clean and dry place, away from excessive moisture.

Hitch Pull Pins and spring "R" clips are regularly checked for proper installation. Replace any worn or defective parts.



Place load rating sticker
inside driver's door here

RECOMMENDED ASSEMBLY TORQUE LISTING

Diameter Grade 8.8 Bolt

M6	9.5 Nm
M8	21.7 Nm
M10	43.4 Nm
M12	77.3 Nm
M14	146 Nm
M16	189.8 Nm

FOR TOWING PURPOSES ONLY

For towing capacity details please refer to vehicle owner's manual or to the manufacturer. Overloading can void your warranties.

Hayman Reese (Cequent)
PO Box 4050, Dandenong South VIC 3164
Phone 1800 812 017 Email info@haymanreese.com.au

www.haymanreese.com.au



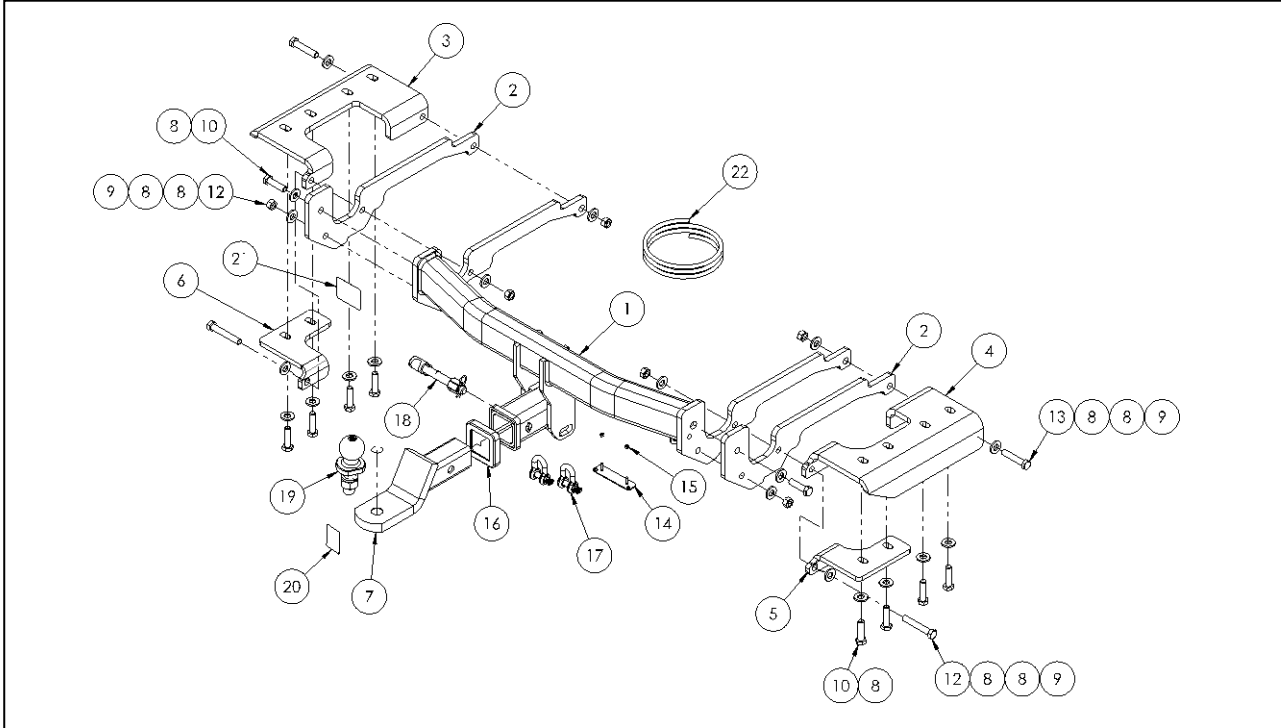
HAYMAN REESE

PART No: 03193RW

HAVAL H6 CL4

INSTALLATION INSTRUCTIONS

PLEASE ENSURE THAT INSTRUCTIONS ARE UNDERSTOOD PRIOR TO FITMENT
PLACE THESE INSTRUCTIONS IN THE VEHICLE'S GLOVEBOX AFTER INSTALLATION IS COMPLETED



ITEM	DESCRIPTION	QTY
1	HAVAL H6 WELDED ASSEMBLY	1
2	LAMINATING PLATE	2
3	LH SIDEARM	1
4	RH SIDEARM	1
5	RHS SUPPORT PLATE	1
6	LHS SUPPORT PLATE	1
7	CLASS 4 TBM	1
8	WASHER PLAIN 1/2X1-1/8X16G	22
9	NUT HEX HD M12 X 1.25P G8	6
10	SET SCREW HEX HD M12 X 45 X 1.25P G10.9	10
11	SET SCREW M12-1.25x50 GR 8.8 Z/P	2

ITEM	DESCRIPTION	QTY
12	BOLT HEX HD M12 X 75 X 1.25P G8.8	2
13	BOLT HEX M12x60x1.25P	2
14	VE PLUG BRACKET	1
15	NUT NYLON LOCK HEX HD M4X0.7P G8	2
16	HITCH BOX COLLAR COVER	1
17	10mm "D" SHACKLE	2
18	ANTI-RATTLE PULL PIN ASSY GOLD	1
19	HR TOWBALL	1
20	H.R STICKER	1
21	ACRYLIC COMPLIANCE LABEL	1
22	WIRING LOOM	1

Hayman Reese (Cequent)
PO Box 4050, Dandenong South VIC 3164
Phone 1800 812 017 Email info@haymanreese.com.au

www.haymanreese.com.au



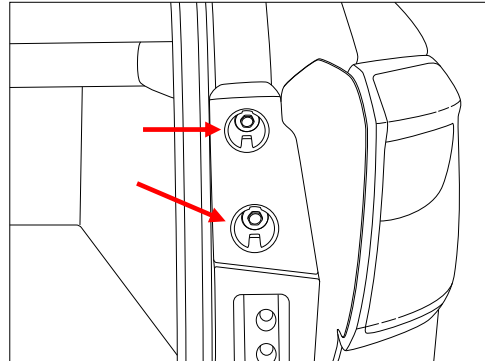
HAYMAN REESE
PART No: 03193RW
HAVAL H6 CL4

INSTALLATION INSTRUCTIONS

PLEASE ENSURE THAT INSTRUCTIONS ARE UNDERSTOOD PRIOR TO FITMENT
PLACE THESE INSTRUCTIONS IN THE VEHICLE'S GLOVEBOX AFTER INSTALLATION IS COMPLETED

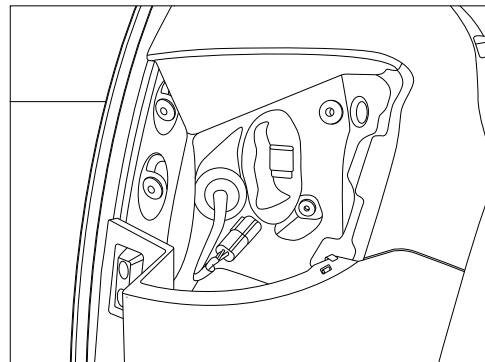
1. Open tail gate and remove the exposed tail light screw covers.
2. Remove 2 x screws securing the tail light

Repeat for opposite side.



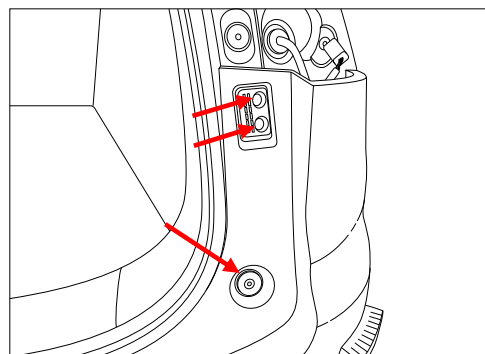
3. Remove the light assembly by pulling rearwards.
Disconnect the tail light wiring harness.

Repeat for opposite side.



4. Remove 2 x screws securing tailgate rubber stop and 1 x Torx screw from bumper.

Repeat for opposite side.



Hayman Reese (Cequent)
PO Box 4050, Dandenong South VIC 3164
Phone 1800 812 017 Email info@haymanreese.com.au

www.haymanreese.com.au



HAYMAN REESE
PART No: 03193RW
HAVAL H6 CL4

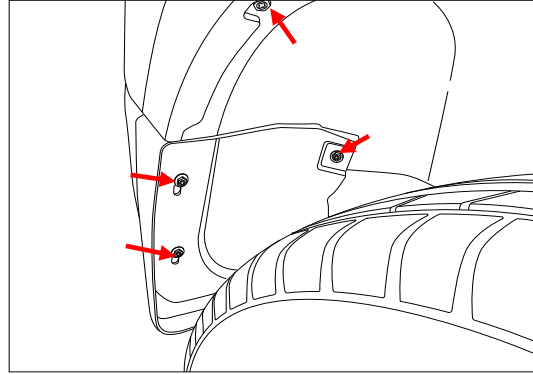
INSTALLATION INSTRUCTIONS

PLEASE ENSURE THAT INSTRUCTIONS ARE UNDERSTOOD PRIOR TO FITMENT
PLACE THESE INSTRUCTIONS IN THE VEHICLE'S GLOVEBOX AFTER INSTALLATION IS COMPLETED

5. In wheel arch, remove mudflap secured with 3x screws.

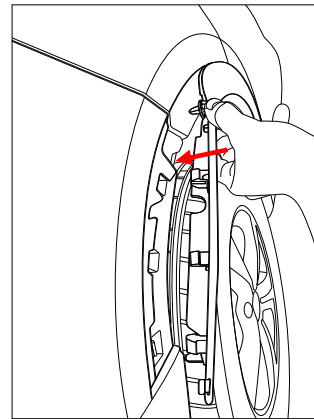
Remove 2 x screws along wheel arch.

Repeat for opposite side



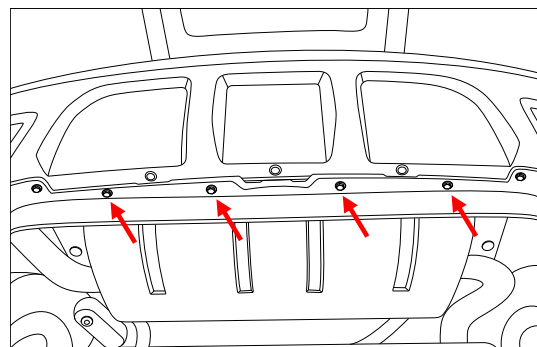
6. Peel away skirting to reveal screw on bumper. Remove 1 x screw.

Repeat for opposite side.



7. Remove 4 x screws located along the bottom edge of the bumper.

8. Peel away bumper from the sides and remove from vehicle. Ensure to disconnect wiring harness located inside bumper on LH side.



Hayman Reese (Cequent)
PO Box 4050, Dandenong South VIC 3164
Phone 1800 812 017 Email info@haymanreese.com.au

www.haymanreese.com.au

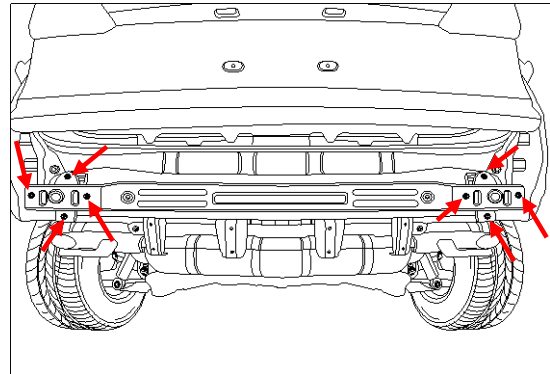


HAYMAN REESE
PART No: 03193RW
HAVAL H6 CL4

INSTALLATION INSTRUCTIONS

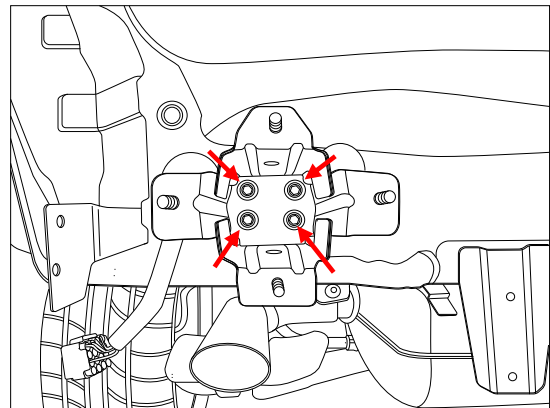
PLEASE ENSURE THAT INSTRUCTIONS ARE UNDERSTOOD PRIOR TO FITMENT
PLACE THESE INSTRUCTIONS IN THE VEHICLE'S GLOVEBOX AFTER INSTALLATION IS COMPLETED

9. Remove and dispose impact beam secured with 8 x nuts (4 x LHS and 4 x RHS)



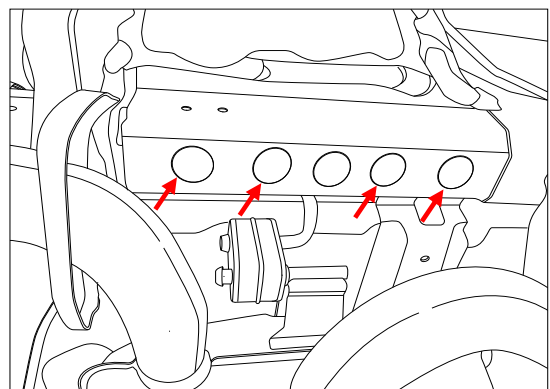
10. Remove and dispose the LH impact beam support, secured with 4 x nuts.

11. On the RH side, disconnect the wiring connector from the support, then remove 4 x nuts and dispose the support.



12. Under chassis rail, remove 4 x stickers covering the side arm mounting positions.

Repeat for opposite side.



Hayman Reese (Cequent)
PO Box 4050, Dandenong South VIC 3164
Phone 1800 812 017 Email info@haymanreese.com.au

www.haymanreese.com.au



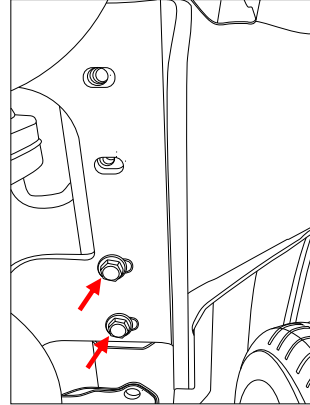
HAYMAN REESE
PART No: 03193RW
HAVAL H6 CL4

INSTALLATION INSTRUCTIONS

PLEASE ENSURE THAT INSTRUCTIONS ARE UNDERSTOOD PRIOR TO FITMENT
PLACE THESE INSTRUCTIONS IN THE VEHICLE'S GLOVEBOX AFTER INSTALLATION IS COMPLETED

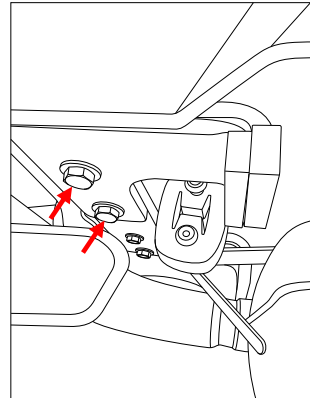
13. Position and loosely secure only the 2 forward mountings of the RH Sidearm with 2 x M12 x 45 bolts (GR10.9) complete with 1 x M12 washer per bolt.

Repeat for LH sidearm side.



14. Position the support plate under the side arm and loosely secure to the chassis with 2 x M12 x 45 bolts (GR10.9) complete with 1 x M12 washer per bolt.

Repeat for opposite side.

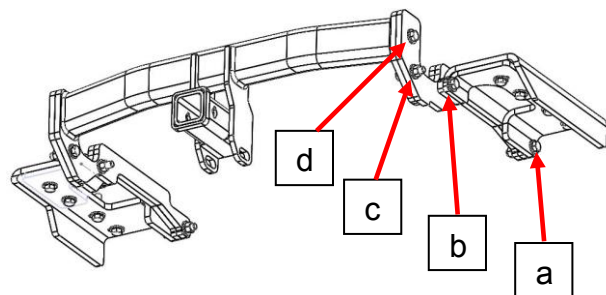


15. With 2 people, lift up the welded assembly, along with the laminating plates, and position them, inside of the exhaust hangers, to the side arms.

From the front, relative to the vehicle, loosely secure with:

- a. 1 x M12 x 60 (GR10.9) bolt complete with 2 x M12 washers and 1 x nut.
- b. 1 x M12 x 75 bolt complete with 2 x M12 washers and 1 x nut.
- c. 1 x M12 x 50 bolt complete with 2 x M12 washers and 1 x nut.
- d. 1 x M12 x 45 (GR10.9) bolt complete with 1 x M12 washer.

Repeat for opposite side.



Hayman Reese (Cequent)
PO Box 4050, Dandenong South VIC 3164
Phone 1800 812 017 Email info@haymanreese.com.au

www.haymanreese.com.au



HAYMAN REESE
PART No: 03193RW
HAVAL H6 CL4

INSTALLATION INSTRUCTIONS

PLEASE ENSURE THAT INSTRUCTIONS ARE UNDERSTOOD PRIOR TO FITMENT
PLACE THESE INSTRUCTIONS IN THE VEHICLE'S GLOVEBOX AFTER INSTALLATION IS COMPLETED

16. Position the bar and tighten all fasteners to the torques as specified.

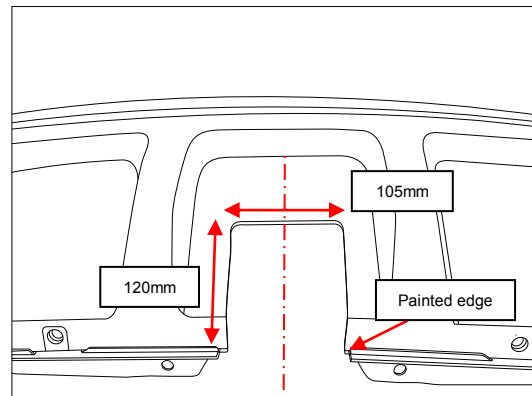
Torque specification:

M12 (GR10.9) : 125Nm

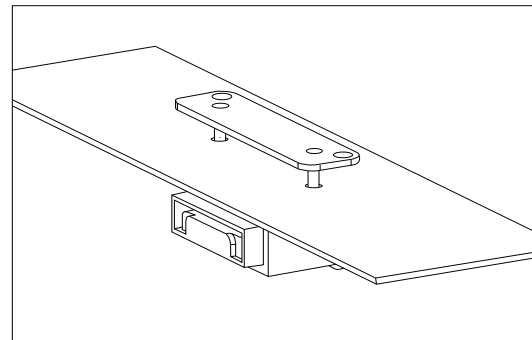
M12 (GR8.8) : 89Nm

17. For bumper cut. Establish the centre of the bumper. On the outside mark off 105mm wide by 120mm long measured from the bottom edge of the bumper (Painted edge) and along the surface of the bumper.

NOTE: You are required to cut through both skins of the bumper.



18. At an appropriate position (LH side of hitch box) on the bumper, mark out and drill 2x \varnothing 5mm holes 69mm apart on bumper skin to support plug bracket.



Hayman Reese (Cequent)
PO Box 4050, Dandenong South VIC 3164
Phone 1800 812 017 Email info@haymanreese.com.au

www.haymanreese.com.au

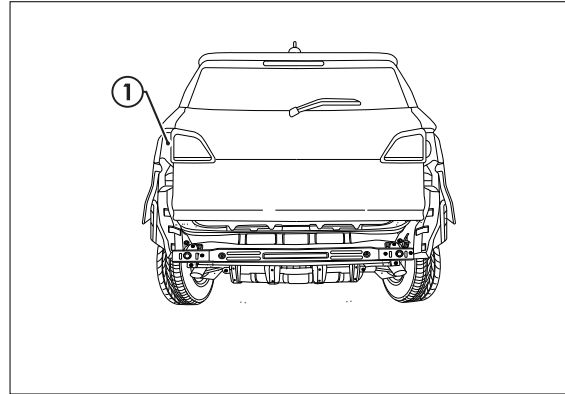


HAYMAN REESE
PART No: 03193RW
HAVAL H6 CL4

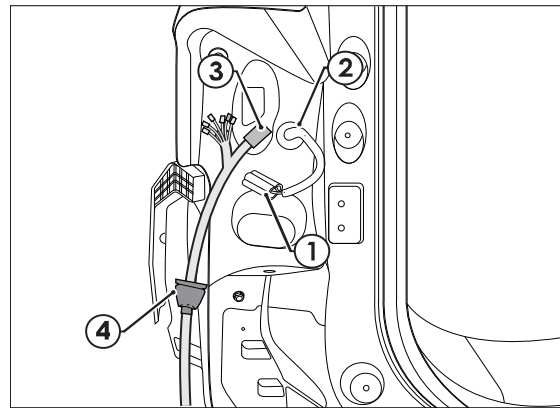
INSTALLATION INSTRUCTIONS

PLEASE ENSURE THAT INSTRUCTIONS ARE UNDERSTOOD PRIOR TO FITMENT
PLACE THESE INSTRUCTIONS IN THE VEHICLE'S GLOVEBOX AFTER INSTALLATION IS COMPLETED

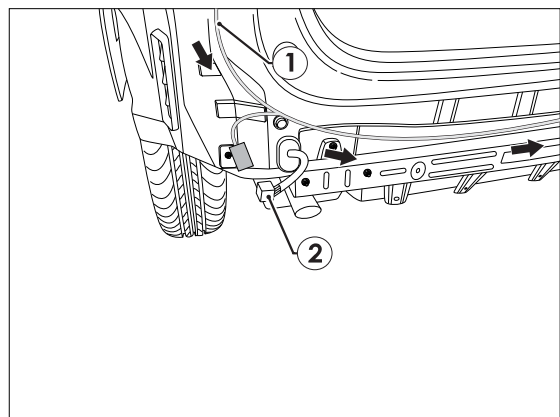
19. Remove LHS tail light (1).



20. Push 4-way connector (1) and grommet (2) back into vehicle.
21. Drill grommet hole (2) out to Ø30mm using a step drill.
22. File down any rough or sharp edges and spray with rust inhibitor (not supplied).
23. Feed ECU wires and 4-way female connector (3) through to interior of vehicle.
24. Seat trailer harness grommet (4) where previously removed grommet was.



25. Route harness down rear LHS of vehicle.
26. Fit t-patch (1) with 16-way connector (2).
27. Continue to route harness to the right.



Hayman Reese (Cequent)
PO Box 4050, Dandenong South VIC 3164
Phone 1800 812 017 Email info@haymanreese.com.au

www.haymanreese.com.au

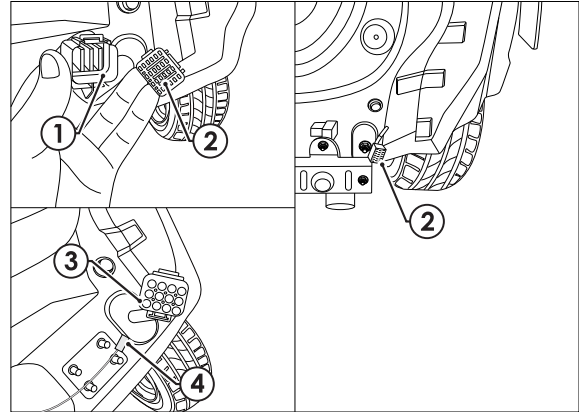


HAYMAN REESE
PART No: 03193RW
HAVAL H6 CL4

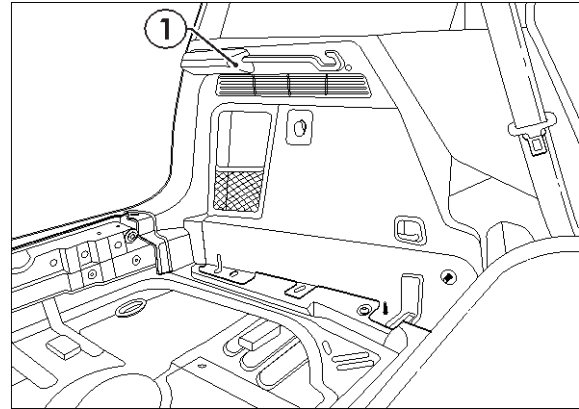
INSTALLATION INSTRUCTIONS

PLEASE ENSURE THAT INSTRUCTIONS ARE UNDERSTOOD PRIOR TO FITMENT
 PLACE THESE INSTRUCTIONS IN THE VEHICLE'S GLOVEBOX AFTER INSTALLATION IS COMPLETED

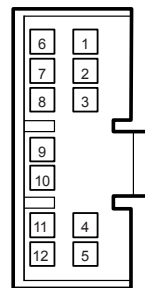
- 28. On the Right hand side of the bumper, disconnect 12-way socket (1) from the plug (2).
- 29. When looking at the rear of the 12-way male connector (1), remove the bottom left dummy plug (3) and fit the sealed male terminal (4) in.
- 30. Reconnect 12-way socket (1).



- 31. Inside the LHS rear of the vehicle, dislodge the trim panel (1).



- 32. House terminals into connector as per following table:
- 33. Connect 4-way connector to mating tail light harness.



14-way female vehicle connector (front view)

Terminal	Colour	Function
1	Red	Brake
2	Brown	Tail
3	White	Ground
4	Brown/Black	Car Tail
5	Red/Black	Car Brake
6	Orange	+12V
7	Green	RH IND
8	Yellow	LH IND
9	Yellow/Black	Car LH IND
10	Green/Black	Car RH IND
11	Black	Reverse
12	Black/White	Car REV

Hayman Reese (Cequent)
 PO Box 4050, Dandenong South VIC 3164
 Phone 1800 812 017 Email info@haymanreese.com.au

www.haymanreese.com.au



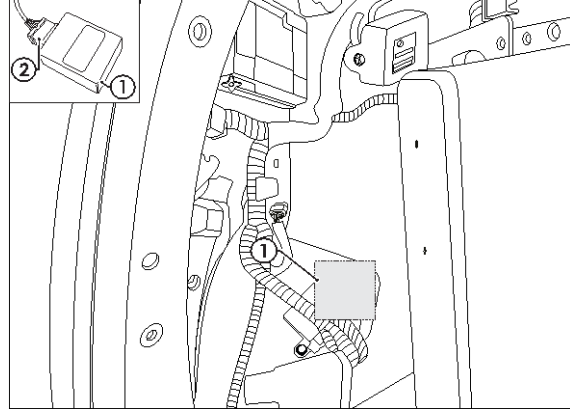
HAYMAN REESE
PART No: 03193RW
HAVAL H6 CL4

INSTALLATION INSTRUCTIONS

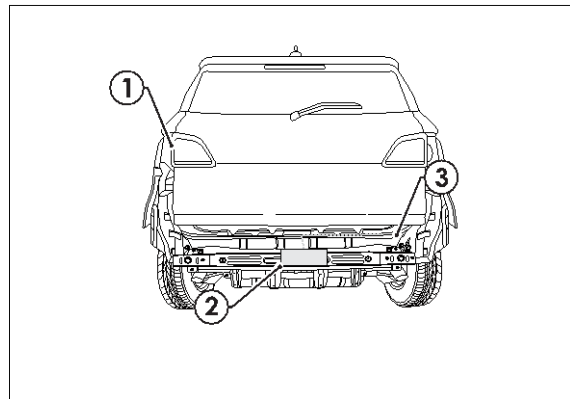
PLEASE ENSURE THAT INSTRUCTIONS ARE UNDERSTOOD PRIOR TO FITMENT
PLACE THESE INSTRUCTIONS IN THE VEHICLE'S GLOVEBOX AFTER INSTALLATION IS COMPLETED

34. Mount the ECU (04836) (1) in the location shown.
35. Connect ECU to Trailer Harness (2).

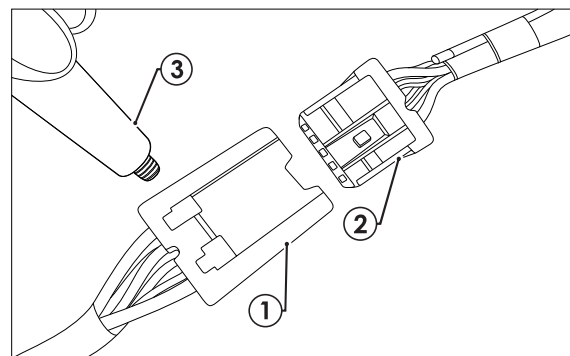
Note: When mounting ECU, ensure ECU connector is facing down.



36. Connect 4-way connector to tail light.
37. Plug in tail light (1).
38. Mount Trailer socket (2) to towbar.
39. Route tail (400mm) to blue connector (3).



40. Connect the tail harness 8-way connector (1) to the trailer patch 8-way mating connector (2).
41. Apply silicone grease (3) to prevent water ingress (not provided).



Hayman Reese (Cequent)
PO Box 4050, Dandenong South VIC 3164
Phone 1800 812 017 Email info@haymanreese.com.au

www.haymanreese.com.au

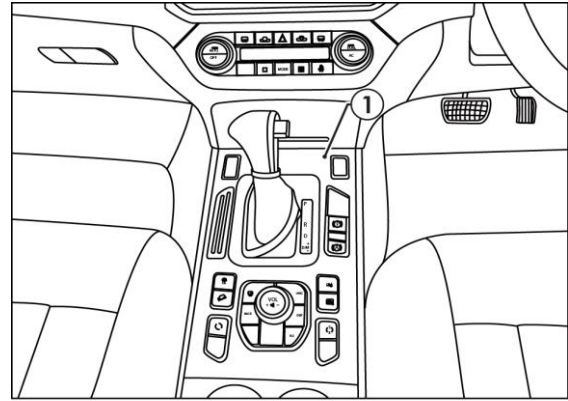


HAYMAN REESE
PART No: 03193RW
HAVAL H6 CL4

INSTALLATION INSTRUCTIONS

PLEASE ENSURE THAT INSTRUCTIONS ARE UNDERSTOOD PRIOR TO FITMENT
PLACE THESE INSTRUCTIONS IN THE VEHICLE'S GLOVEBOX AFTER INSTALLATION IS COMPLETED

42. RPA can be disabled via console (1).
43. Test the Trailer Harness function using a light board or multi-meter.
44. Secure all harnesses using cable ties (not supplied).
45. Re-fit removed parts and secure all fasteners, ensuring there are no squeaks or rattles.
46. Place the instructions in the glove box after fitment.



47. Refit the bumper and removed components to the vehicle following the steps 7 to 1 in reverse.

Hayman Reese (Cequent)
PO Box 4050, Dandenong South VIC 3164
Phone 1800 812 017 Email info@haymanreese.com.au

www.haymanreese.com.au





FITTING INSTRUCTIONS

Smart Pin (55070BL)

• These fitting instructions are supplied to ensure understanding of how the SMART PIN should be fitted and used correctly.

• Once installed, we recommend **ALL** instructions are kept and placed in the vehicle glove box.

NOTE: Routine maintenance and inspection of the towbar & SMART PIN is required. Regularly inspect for wear and check the tightness of the SMART PIN NUT. Follow instructions below to retighten the nut when necessary.

***Do not tow with your vehicle if the R CLIP or the SMART PIN NUT is loose or missing. Replacement parts are available from your Hayman Reese Distributor.**

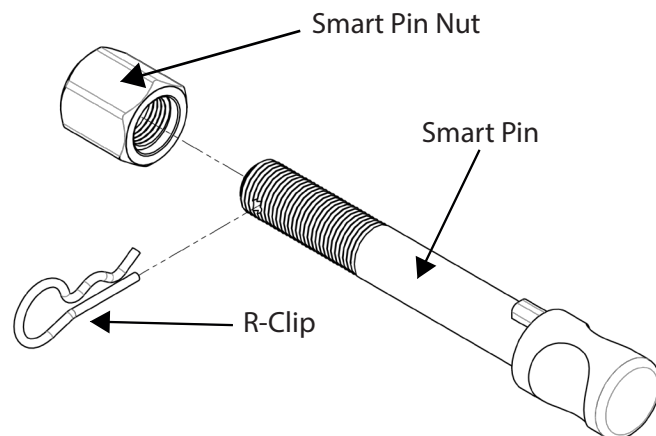


Fig 1. Smart Pin assembly

STEP 1 Insert Trailer Ball Mount (TBM) into towbar HITCHBOX, aligning hole in TBM SHANK with hole in HITCHBOX (Fig. 2).

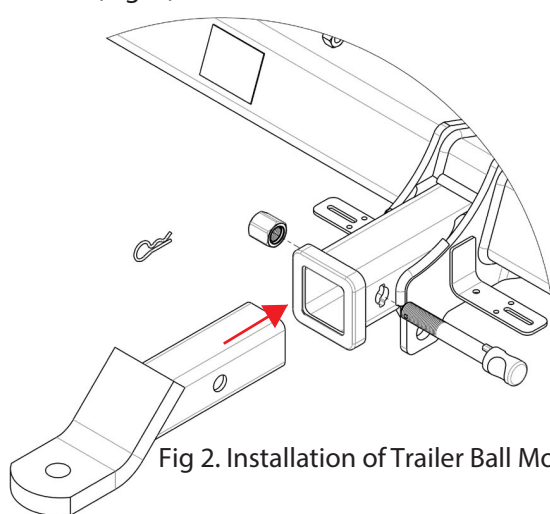


Fig 2. Installation of Trailer Ball Mount

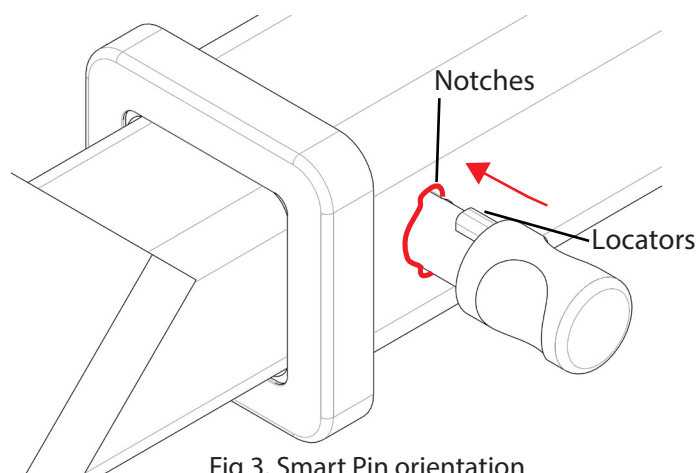


Fig 3. Smart Pin orientation

STEP 2 Insert SMART PIN through hole in HITCHBOX and hole in TBM SHANK; ensure the LOCATORS are inserted into the NOTCHES in the HITCHBOX (Fig. 3).

STEP 3 Screw SMART PIN NUT onto SMART PIN; tighten SMART PIN NUT until finger tight, ensuring TBM is restrained from movement.

STEP 4 Tighten SMART PIN NUT by turning nut a further 1/8th of a turn in the clockwise direction using a 24mm spanner (Fig 4).

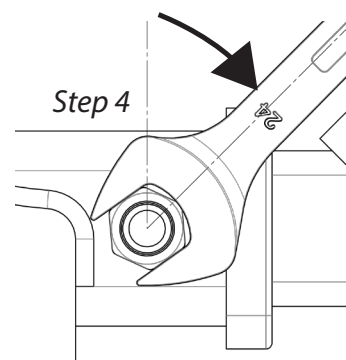


Fig 4. Tightening of Smart Pin Nut

STEP 5 Install SMART PIN R CLIP through the hole on the SMART PIN (Fig. 1).

