

HAYMAN REESE
PART No: 03233RW
TOYOTA HILUX KUN X-BAR
INSTALLATION INSTRUCTIONS

PLEASE ENSURE THAT INSTRUCTIONS ARE UNDERSTOOD PRIOR TO FITMENT
PLACE THESE INSTRUCTIONS IN THE VEHICLE'S GLOVEBOX AFTER INSTALLATION IS COMPLETED



Installation Time: Approx 60 Mins

Towbar Installation Instructions

TOYOTA HILUX KUN X-BAR

Part Number **03233RW**

Towbar capacity:

Max Towing Braked 2500kg


Max Towing Unbraked 550kg

Max Static Ball Load 250kg

RECOVERY RATING:

CENTRE RECOVERY HOOK 5000kg 

SIDE RECOVERY HOOK (SINGLE) 3250kg 

SIDE RECOVERY HOOK (DUAL) 6500kg 

NOTE: EQUALISATION STRAP MUST BE USED

Hayman Reese (Cequent)
PO Box 4050, Dandenong South VIC 3164
Phone 1800 812 017 Email info@haymanreese.com.au

x-bar.com.au



HAYMAN REESE
PART No: 03233RW
TOYOTA HILUX KUN X-BAR

INSTALLATION INSTRUCTIONS

PLEASE ENSURE THAT INSTRUCTIONS ARE UNDERSTOOD PRIOR TO FITMENT
PLACE THESE INSTRUCTIONS IN THE VEHICLE'S GLOVEBOX AFTER INSTALLATION IS COMPLETED

Warning:

1. Do not, drill, cut, weld or otherwise modify the towbar.
2. If you are using electric welding on a motor vehicle, **always** check that the vehicle is not equipped with electronic engine or instrument management equipment. Failure to do so could **destroy** any on board computers. If in doubt, check with the vehicle's manufacturer.
3. If TBM is used in inverted position tow ball may make contact with rear tailgate when lowered, which could cause damage.

General:

1. Ensure all hardware items have been included refer to assembly diagram.
2. It is recommended that the instructions are read through and completely understood before making any attempt to fit this product.
3. Be wary of any changes to vehicle designs or other accessories that may conflict with the installation of this product.
4. Before drilling ensure that the area is clear of fuel, electrical & other components.
5. All holes drilled into the body panels shall have all burrs & swarf removed then coated with a suitable rust preventative paint.
6. The high tensile fasteners supplied with this product were used to achieve the specified rating. If replacement is required ensure that fasteners of the same rating & quality are used. Contact an authorised **Hayman Reese** dealer if further information is required.
7. Ensure that all hardware is fastened to torque list below check fasteners on regular basis.
8. Towbar load rating sticker provided with this product shall be conspicuously located on inside rear end of the driver's door. **(See diagram below).**
9. Hayman Reese recommends that you check your tow ball to ensure that it complies with the Australian standards **AS 4177.2**.
10. **PLEASE NOTE:** It is advised to remove your LUG or TBM when not actually towing so as to produce a clear view of the vehicles registration plate if obscured, and to also provide maximum available departure angle.

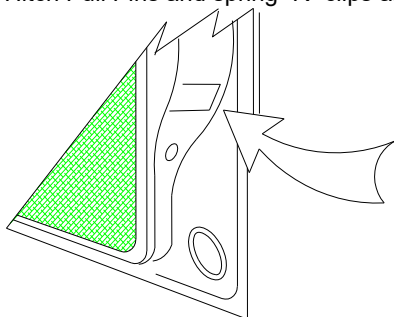
Tow bar Maintenance and Care.

Hayman Reese recommends that bolt torque's, as listed below, are routinely and regularly inspected and checked for correct tension. Replace any worn or defective parts.

We recommended to remove Tow Ball Mounts (TBM's, tongues or lugs) when not being used for any considerable length of time.

So as to avoid injury, when not towing it is suggested that the tongue, Pull Pin and R-clip are removed then stored in a safe, clean and dry place, away from excessive moisture.

Hitch Pull Pins and spring "R" clips are regularly checked for proper installation. Replace any worn or defective parts.



**Place load rating sticker
inside driver's door here**

FOR TOWING PURPOSES ONLY
For towing capacity details please refer to vehicle
owner's manual or to the manufacturer. Overloading can
void your warranties.

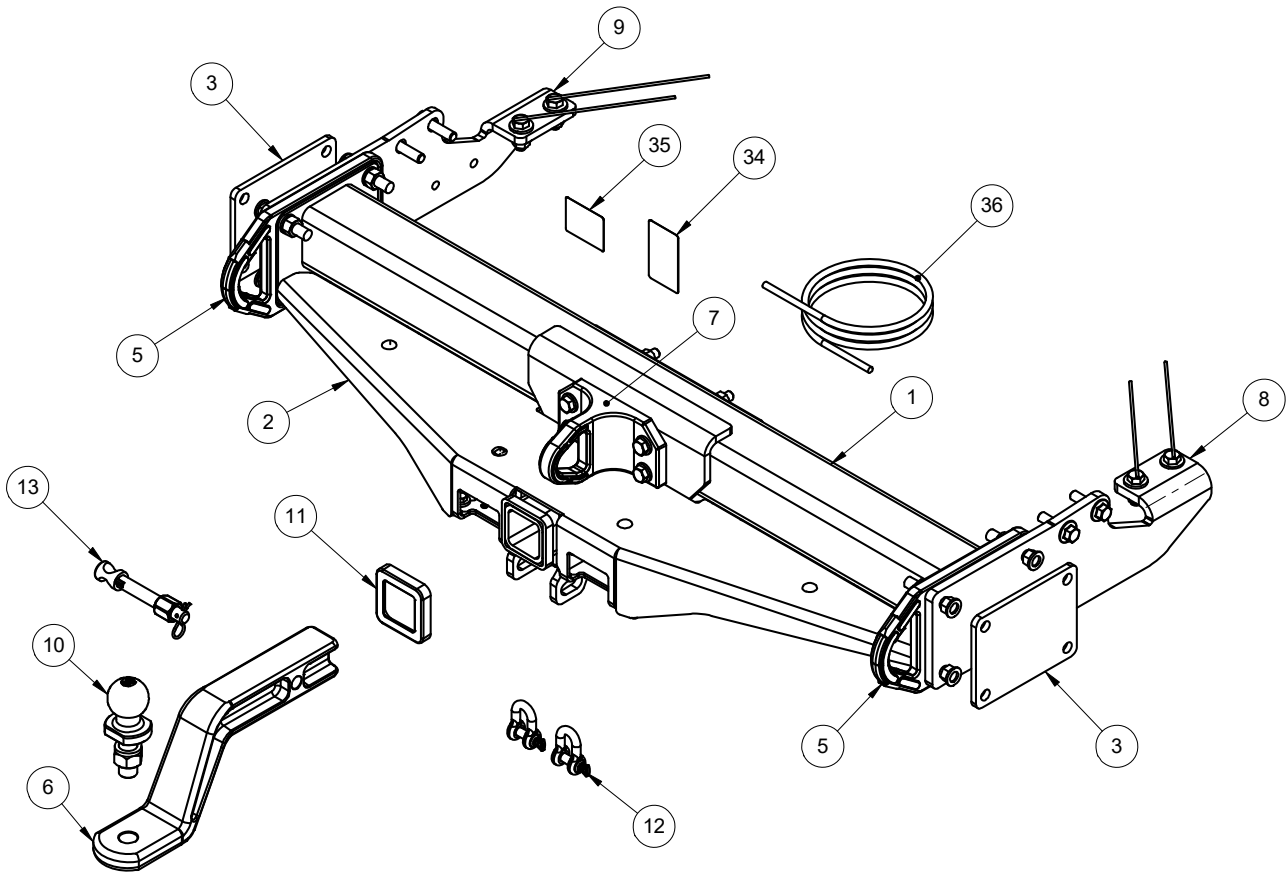
Hayman Reese (Cequent)
PO Box 4050, Dandenong South VIC 3164
Phone 1800 812 017 Email info@haymanreese.com.au

x-bar.com.au

X BAR
BY HAYMAN REESE

HAYMAN REESE
PART No: 03233RW
TOYOTA HILUX KUN X-BAR
INSTALLATION INSTRUCTIONS

PLEASE ENSURE THAT INSTRUCTIONS ARE UNDERSTOOD PRIOR TO FITMENT
PLACE THESE INSTRUCTIONS IN THE VEHICLE'S GLOVEBOX AFTER INSTALLATION IS COMPLETED



Not all items show in assembly drawing for clarity

Hayman Reese (Cequent)
PO Box 4050, Dandenong South VIC 3164
Phone 1800 812 017 Email info@haymanreese.com.au

x-bar.com.au



HAYMAN REESE
PART No: 03233RW
TOYOTA HILUX KUN X-BAR
INSTALLATION INSTRUCTIONS

PLEASE ENSURE THAT INSTRUCTIONS ARE UNDERSTOOD PRIOR TO FITMENT
 PLACE THESE INSTRUCTIONS IN THE VEHICLE'S GLOVEBOX AFTER INSTALLATION IS COMPLETED

ITEM NO.	DESCRIPTION	QTY.
1	XBAR WELDED ASSEMBLY	1
2	BOLT ON PLATE - MODEL B	1
3	8MM SPACER PLATE	2
4	BASH PLATE	1
5	FORGED SIDE RECOVERY PLATES	2
6	3.5t FORGED TBM EXTENDED DROP	1
7	FORGED CENTRE RECOVERY MOUNT	1
8	TOYOTA HILUX KUN SIDE ARM RHS	1
9	TOYOTA HILUX KUN SIDE ARM LHS	1
10	TOWBALL 50MM FLAT CHROME 3500KG HR	1
11	HITCH BOX COLLAR COVER	1
12	10mm "D" SHACKLE	2
13	ANTI-RATTLE PULL PIN ASSY GOLD	1
14	NUT HEX HD M12 X 1.75P G8	4
15	HEXAGONAL SET SCREW WITH FLANGE M12x1.25x45 - 10.9	4
16	WASHER FLAT M12	8
17	BOLT & WIRE ASSEMBLY	4
18	WSHR FT M12 x 28 x 3mm BLK XYLAN	24
19	SPACER TUBE 90MM 16X1.6	4
20	BOLT M10-1.25x35mm Gr8.8 BLK XYLAN	2
21	SCR-HEX-ISO4014-10.9-WS21-M14X65	8
22	SCREW PAN HD M3 X 20 X 0.7P G4.6	2
23	NUT NYLON LOCK HEX HD M4X0.7P G8	2
24	SCREW PAN HD M4 X 16 X 0.7P G4.6	2
25	NUT NYLON LOCK HEX HD M3X0.7P G8	2
26	SET SCREW M8 - 1.25 x 25mm GR 8.8 Z/P	2
27	WASHER PLAIN M8 X 22 X 3	8
28	NUT HEX HD M8 X 1.25P G8	6
29	WSHR FT M10 x 25.4 x 3mm BLK XYLAN	2
30	SCR-HEX-ISO4014-10.9-WS18-M12X150	4
31	NUT HEX M14 X 2.0P PC10	8
32	BOLT COACH M8 X 20 X 1.25 GR4.6 BLACK	4
33	XBAR DECAL STICKER	2
34	ACRYLIC LOAD RATING LABEL	1
35	ACRYLIC COMPLIANCE LABEL	1
36	WIRING LOOM	1
37	NUT HEX NYLON M12 X 1.75P PC10 BLK ZINi	4

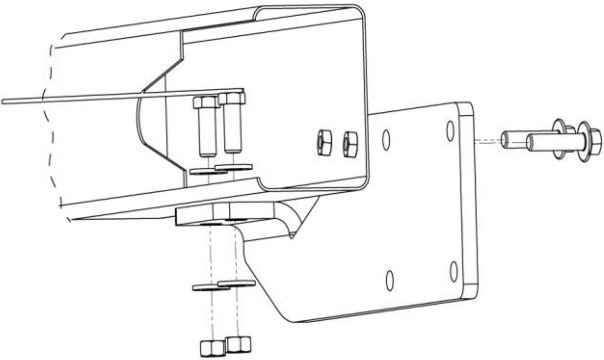
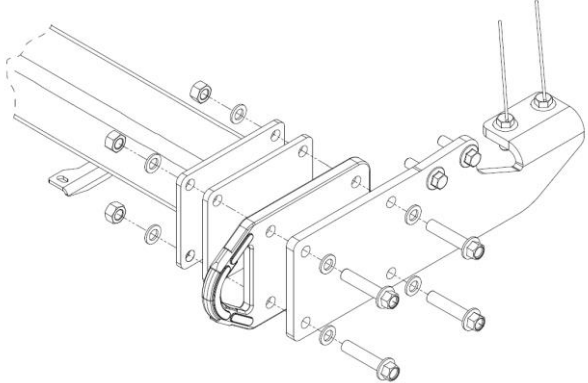
Hayman Reese (Cequent)
 PO Box 4050, Dandenong South VIC 3164
 Phone 1800 812 017 Email info@haymanreese.com.au

x-bar.com.au



HAYMAN REESE
PART No: 03233RW
TOYOTA HILUX KUN X-BAR
INSTALLATION INSTRUCTIONS

PLEASE ENSURE THAT INSTRUCTIONS ARE UNDERSTOOD PRIOR TO FITMENT
 PLACE THESE INSTRUCTIONS IN THE VEHICLE'S GLOVEBOX AFTER INSTALLATION IS COMPLETED

<p>1. Lower spare wheel</p>	
<p>2. Loosely secure LH side arm to chassis rail via 2 x M12 bolts on the outboard side of chassis rail.</p> <p>3. Feed 2 x bolts on wire inside chassis rail and down through existing chassis holes. Loosely secure with 1 x washer and 1 x nut for each bolt.</p> <p>4. Trim off excess wire on bolts.</p> <p>Repeat for opposite side.</p>	
<p>5. Using two people, lift towbar up to side arms ensuring to sandwich red recovery side plate between side arms and cross tube, with 8mm space plate in recess of red plate.</p> <p>Note: Red recovery side plates must have recess facing inwards.</p> <p>Loosely secure towbar to side arms with 4 x M14 bolts complete with 2 x washers and 1 x nut per bolt.</p>	
<p>6. Refer to sequence A, B, C, and D over page for final assembly instructions.</p>	
<p>7. Tighten all bolts to the torques listed below:</p> <p>M8: 22 N.m ; M10: 48 N.m; M12: 140 N.m; M14: 175 N.m</p> <p>IMPORTANT: Ensure all bolts are secured to correct torques using a calibrated torque wrench. Tighten side arms to chassis rail first in an even pattern/sequence. Repeat for centre section to side arms and finally torque all other fasteners.</p>	

Hayman Reese (Cequent)
 PO Box 4050, Dandenong South VIC 3164
 Phone 1800 812 017 Email info@haymanreese.com.au

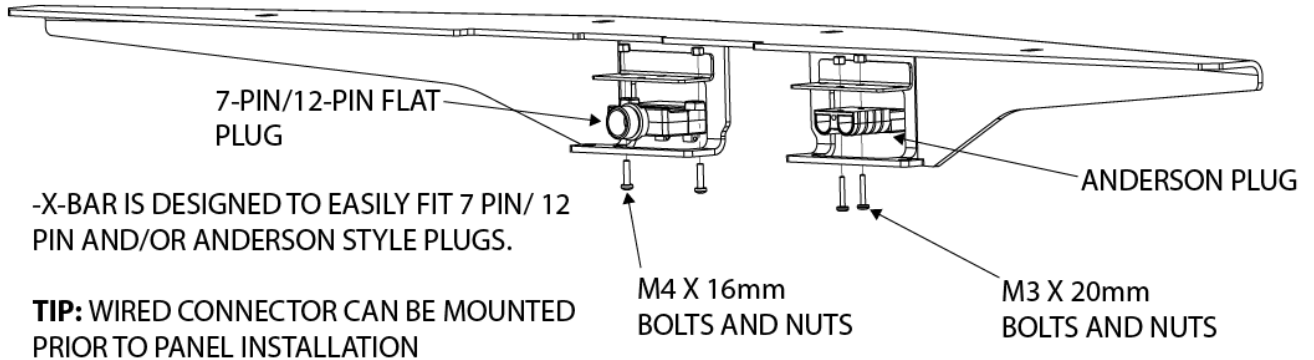
x-bar.com.au



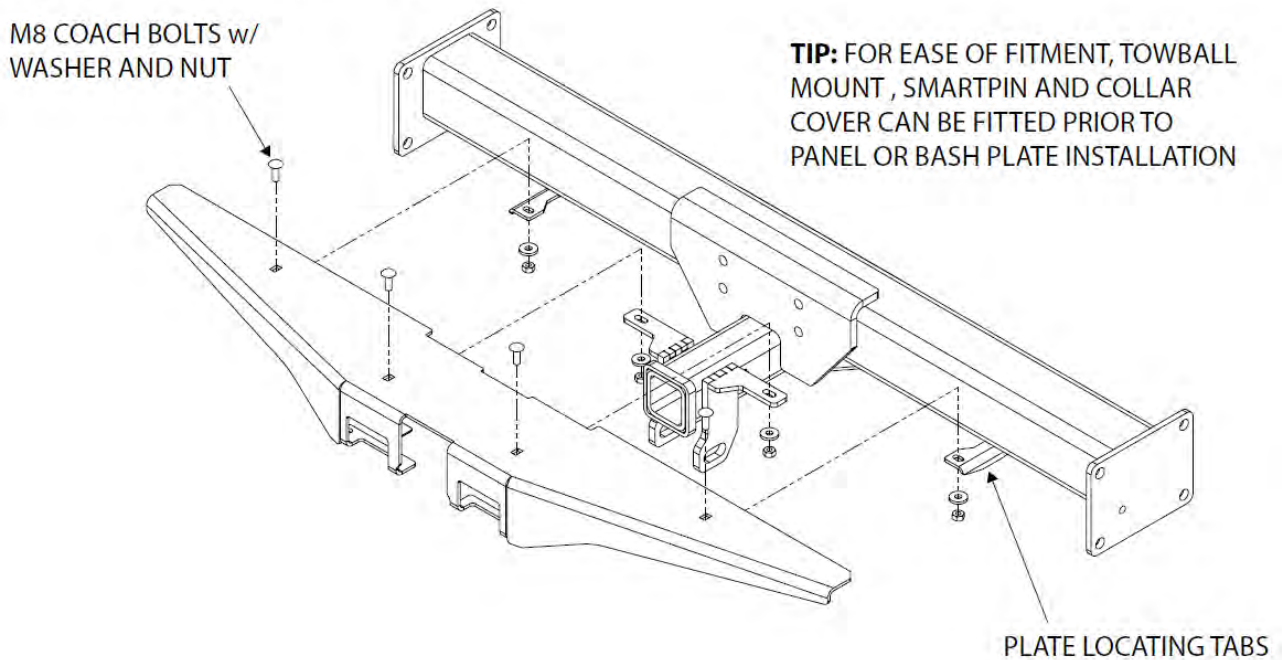
HAYMAN REESE
PART No: 03233RW
TOYOTA HILUX KUN X-BAR
INSTALLATION INSTRUCTIONS

PLEASE ENSURE THAT INSTRUCTIONS ARE UNDERSTOOD PRIOR TO FITMENT
PLACE THESE INSTRUCTIONS IN THE VEHICLE'S GLOVEBOX AFTER INSTALLATION IS COMPLETED

A. FIT PLUGS TO PLUG BRACKETS



B. BOLT COVER PLATE TO TOWBAR



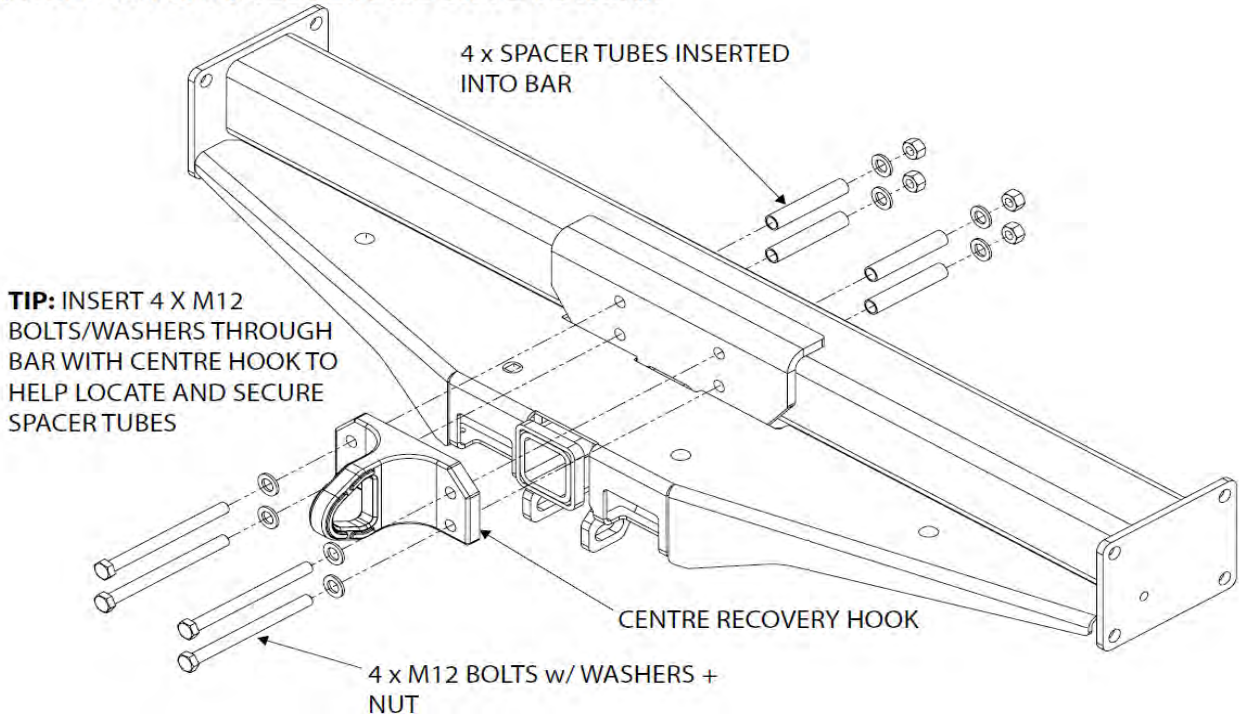
Hayman Reese (Cequent)
PO Box 4050, Dandenong South VIC 3164
Phone 1800 812 017 Email info@haymanreese.com.au

x-bar.com.au

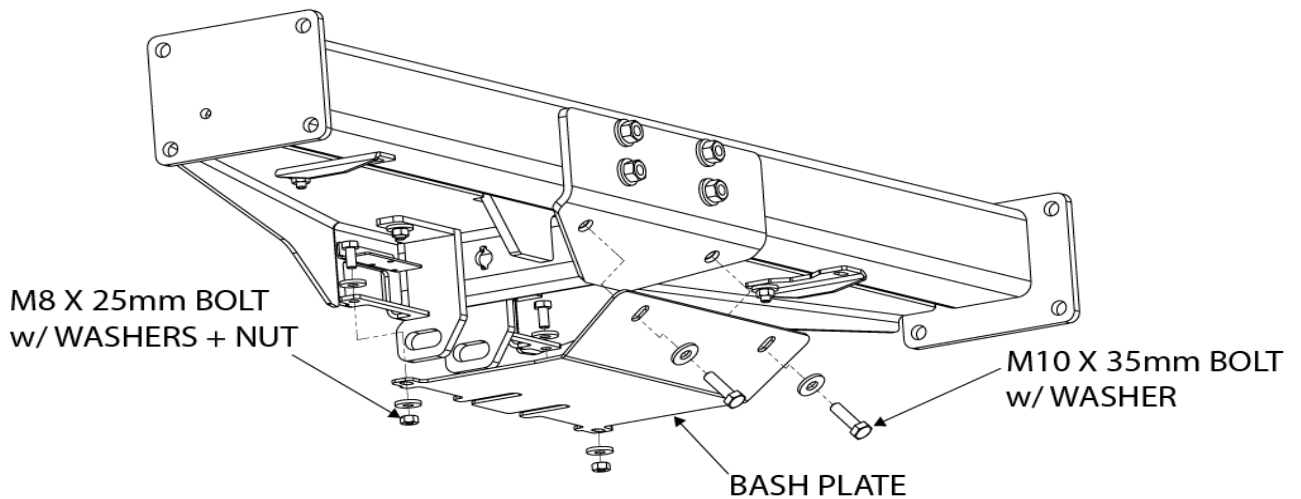


HAYMAN REESE
PART No: 03233RW
TOYOTA HILUX KUN X-BAR
INSTALLATION INSTRUCTIONS

PLEASE ENSURE THAT INSTRUCTIONS ARE UNDERSTOOD PRIOR TO FITMENT
PLACE THESE INSTRUCTIONS IN THE VEHICLE'S GLOVEBOX AFTER INSTALLATION IS COMPLETED
C. BOLT CENTRE RECOVERY HOOK TO TOWBAR



D. BOLT BASH PLATE TO TOWBAR



Hayman Reese (Cequent)
PO Box 4050, Dandenong South VIC 3164
Phone 1800 812 017 Email info@haymanreese.com.au

x-bar.com.au



**HAYMAN REESE
PART No: 100002-WL
TOYOTA HILUX**

INSTALLATION INSTRUCTIONS

PLEASE ENSURE THAT INSTRUCTIONS UNDERSTOOD PRIOR TO FITMENT

Wiring Loom Installation Instructions

**TOYOTA HILUX
Part No: 100002-WL**

Tail Harness Length Require: 1800mm

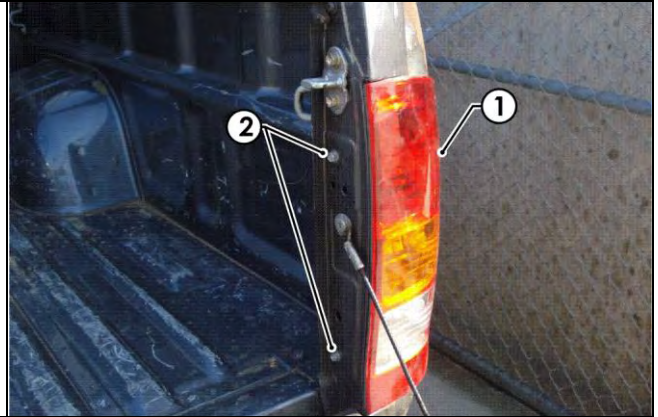
Wiring Loom Installation Time: Approx 20 Mins

**HAYMAN REESE
PART No: 100002-WL
TOYOTA HILUX**

INSTALLATION INSTRUCTIONS

PLEASE ENSURE THAT INSTRUCTIONS UNDERSTOOD PRIOR TO FITMENT

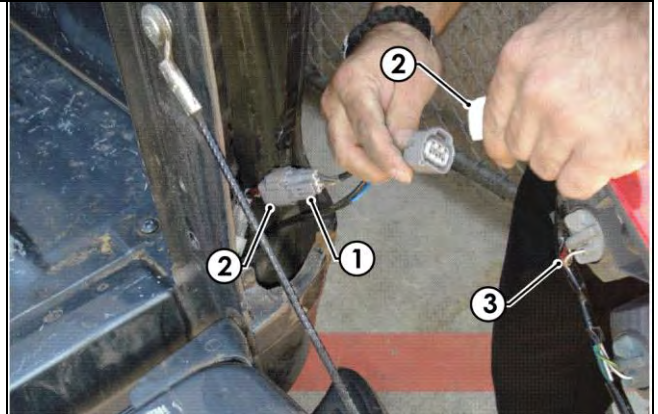
1. Disconnect and remove the tail light (1) on both sides of the vehicle by removing the two fasteners (2).



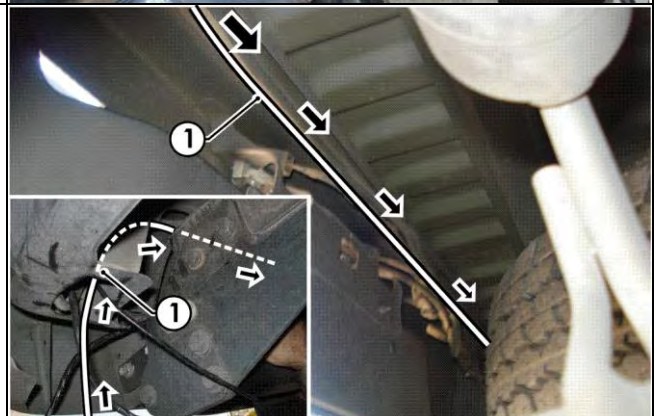
2. From underneath the vehicle, route the Trailer Patch Harness (P/No: 100002-WL) connectors (1) up the RHS tail light cavity.

Patch the Trailer Patch Harness RHS connectors (1) in between the tail light connectors (2).

Refit the RHS tail light assembly (3).



3. Underneath the vehicle, route the Trailer Patch Harness (1) over the support bar and along the vehicle harness towards the LHS tail light cavity.

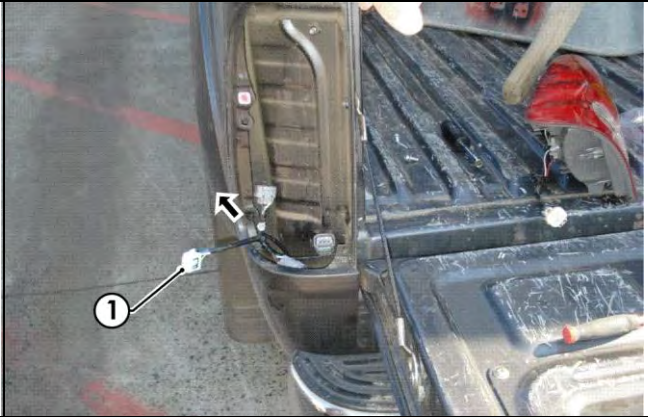


HAYMAN REESE
PART No: 100002-WL
TOYOTA HILUX

INSTALLATION INSTRUCTIONS

PLEASE ENSURE THAT INSTRUCTIONS UNDERSTOOD PRIOR TO FITMENT

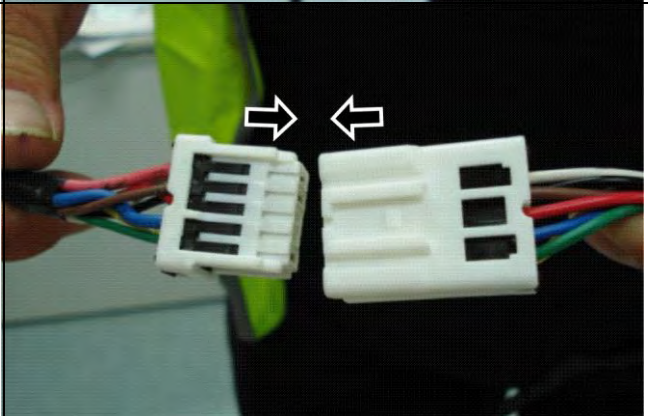
4. Retrieve the Trailer Patch Harness connectors (1).



5. On the Tail Harness (length 1800mm) and mating connector, apply electrical grease or silicon on to the back of the connectors to make them water proof.



6. Connect the Trailer Patch Harness tail connector and the Tail Harness connector together.
7. Reconnect the LHS tail lights and refit the tail light assembly.



**HAYMAN REESE
PART No: 100002-WL
TOYOTA HILUX**

INSTALLATION INSTRUCTIONS

PLEASE ENSURE THAT INSTRUCTIONS UNDERSTOOD PRIOR TO FITMENT

8. Mount the Tail Harness socket (1) to the towbar mounting plate using M4 fasteners.
9. Test Trailer Harness function using trailer light board or multimeter.
10. Refit all removed parts and secure all fasteners ensuring there are no squeaks or rattles.
11. Please place the fitting instructions in the glove box after installation.





FITTING INSTRUCTIONS

Smart Pin (55070BL)

• These fitting instructions are supplied to ensure understanding of how the SMART PIN should be fitted and used correctly.

• Once installed, we recommend **ALL** instructions are kept and placed in the vehicle glove box.

NOTE: Routine maintenance and inspection of the towbar & SMART PIN is required. Regularly inspect for wear and check the tightness of the SMART PIN NUT. Follow instructions below to retighten the nut when necessary.

***Do not tow with your vehicle if the R CLIP or the SMART PIN NUT is loose or missing. Replacement parts are available from your Hayman Reese Distributor.**

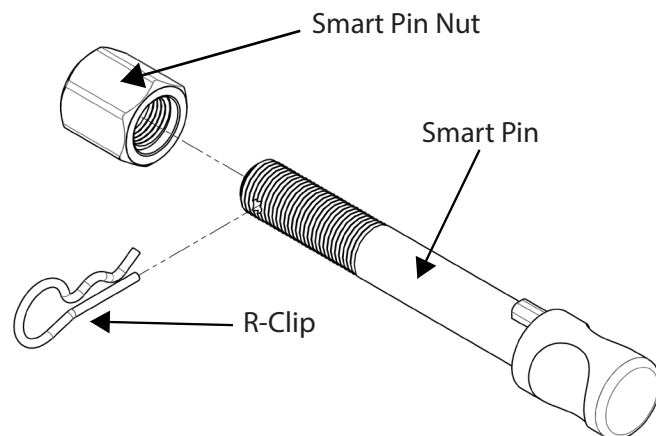
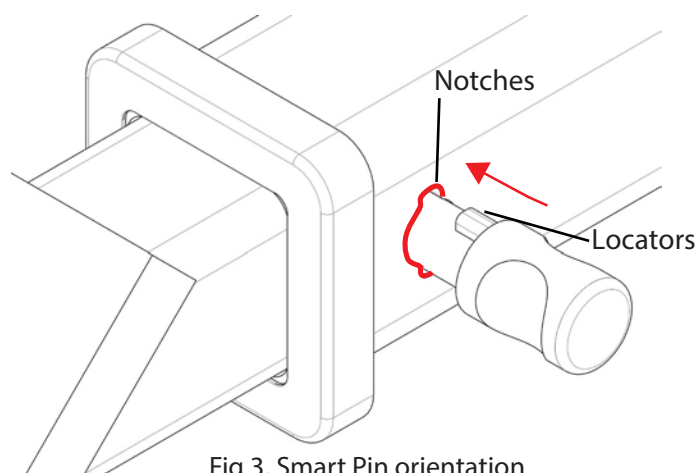
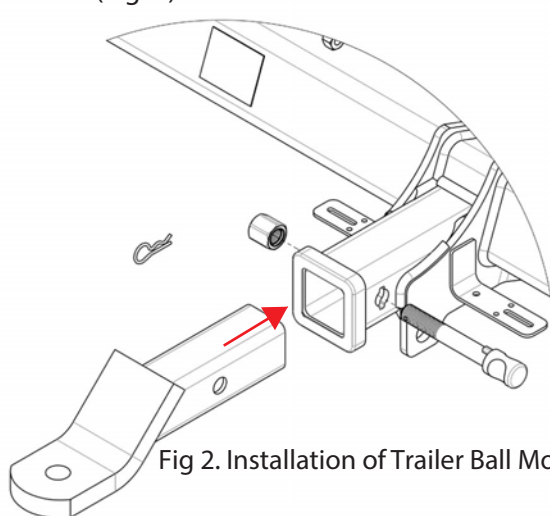


Fig 1. Smart Pin assembly

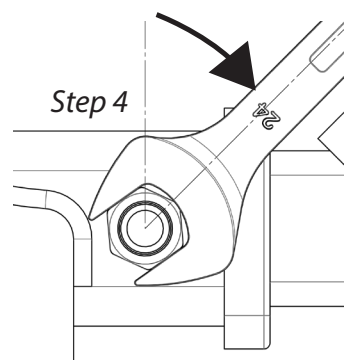
STEP 1 Insert Trailer Ball Mount (TBM) into towbar HITCHBOX, aligning hole in TBM SHANK with hole in HITCHBOX (Fig. 2).



STEP 2 Insert SMART PIN through hole in HITCHBOX and hole in TBM SHANK; ensure the LOCATORS are inserted into the NOTCHES in the HITCHBOX (Fig. 3).

STEP 3 Screw SMART PIN NUT onto SMART PIN; tighten SMART PIN NUT until finger tight, ensuring TBM is restrained from movement.

STEP 4 Tighten SMART PIN NUT by turning nut a further 1/8th of a turn in the clockwise direction using a 24mm spanner (Fig 4).



STEP 5 Install SMART PIN R CLIP through the hole on the SMART PIN (Fig. 1).

