



# TOWBAR INSTALLATION INSTRUCTIONS

PART NUMBER 03295XW  
MITSUBISHI TRITON MQ X-BAR



## PRODUCT DETAILS:

Part Number:	03295XW	Maximum Towing Braked:	3100	kg
Tail Harness Length Required:	1800mm	Maximum Towing Unbraked:	750	kg
TBM/Lug Part Number:	21366	Maximum Static Ball Load:	310	kg
Wiring Part Number:	100006-WL			

## FITTING DETAILS:

Towbar Installation Time:	60 mins.	Vehicle Coding Required:	NO
Wiring Installation Time:	30 mins.	RPA Disable/Other:	Switch on dashboard
Total Installation Time:	90 mins.		
Bumper Cut Required:	No		



# TOWBAR INSTALLATION INSTRUCTIONS

PART NUMBER 03295XW

MITSUBISHI TRITON MQ X-BAR

**ENSURE THAT INSTRUCTIONS ARE UNDERSTOOD PRIOR TO FITMENT.**

## **i** BEFORE YOU START:

Hayman Reese recommends that instructions are read completely prior to fitment. Check all hardware items have been included refer to assembly diagram. Please ensure this towbar is only fitted to vehicle models as per Hayman Reese application guide ([www.haymanreese.com.au](http://www.haymanreese.com.au)).

### Bumper Cuts



Vehicle and bumper variations can and do occur during vehicle manufacture after initial towbar design. Fitment of towbar to vehicle and accuracy of bumper cut must be assessed prior to any bumper modifications made. Incorrect bumper cuts are not covered under Hayman Reese warranty.

**NOTE: Bumper cuts need to be approached with care, refer to notes below.**

- Bumper centreline – where the centreline of the bumper needs to be determined, the installer must assess centre point by measurement of bumper width or determining two symmetrical reference points to give centreline.
- Bumper edge – To assist with accurate bumper cut measurement, reference to the start of the bumper edge is now being commonly used.
  - Measure from bottom edge along bumper and around corner to the 70 mm point (Figure 1).
  - Do not measure from visible bumper front of corner, upwards (Figure 2).

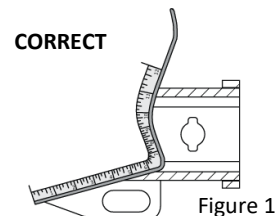


Figure 1

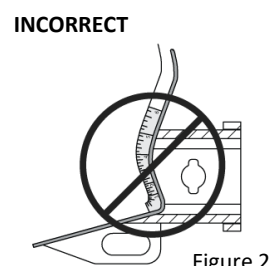


Figure 2

### Drilling

- For any required drilling during installation, ensure that the area is clear of fuel, electrical & other components that may be damaged.
- All holes drilled into the body panels shall have all burrs & swarf removed then coated with a suitable rust preventative paint.

### Bolts/Fasteners

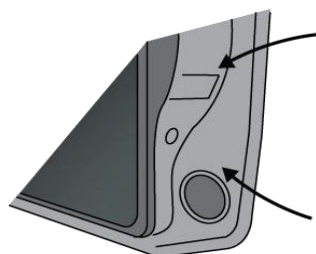
- Ensure that all hardware is fastened to correct torque as specified in this fitting instruction.
- All fasteners supplied with this product are used to achieve a specified clamp loading. If replacement is required ensure that fasteners of the same grade and class are used.



**NOTE: Achieving correct torque is critical to proper installation and responsibility of the installer. Towbar failures attributed to tension issues from over tightening or under tightening are not covered by Hayman Reese warranty.**

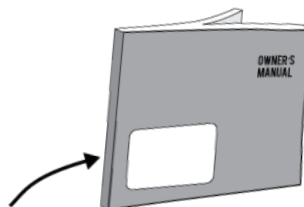
### Product Labels

- a. Towbar load rating sticker provided with this product shall be conspicuously located on inside rear end of the driver's door.
- b. Powertrain Control Module (PCM)/Body Control Module (BCM) upgrade warning label will be provided in towbar kit for vehicles as required. Affix warning label in door and owner's handbook.



Place **Load Rating sticker** inside driver's door here

Place **Vehicle PCM/ BCM upgrade warning label** in door AND on front cover of owner's service handbook



## **WARNING:**

**Do not, drill, cut, weld or otherwise modify the towbar.**

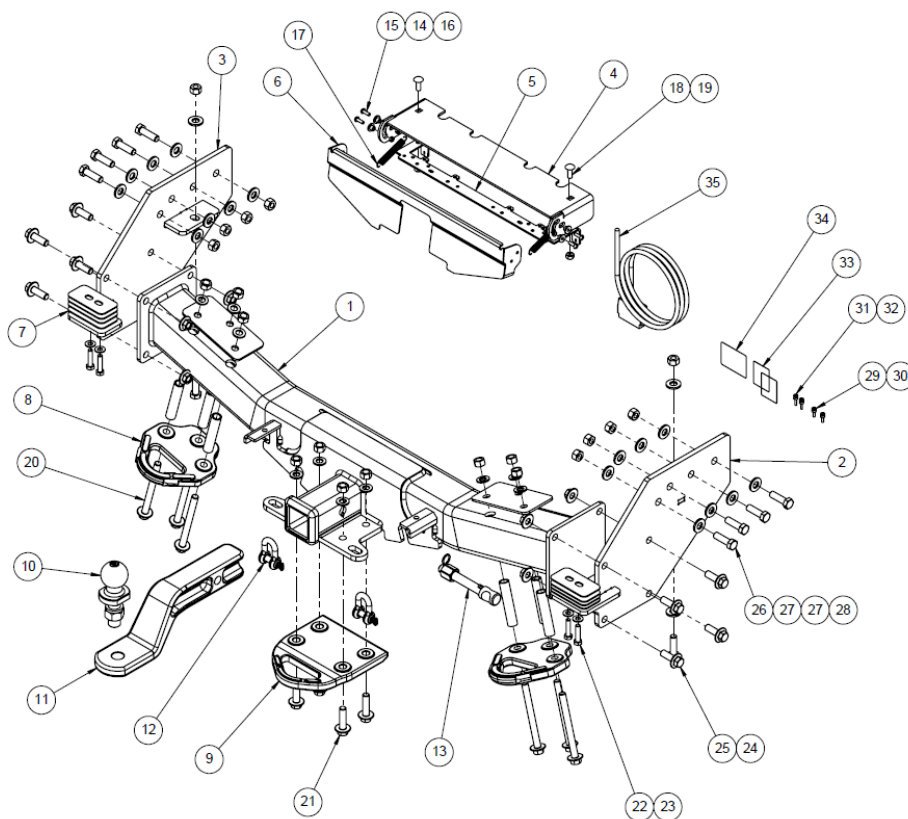
**FOR TOWING PURPOSES ONLY - This towbar is designed and tested by Hayman Reese to adhere to ADR 62/02 which provides only for the expected load demands of towing.**



# TOWBAR INSTALLATION INSTRUCTIONS

PART NUMBER **03295XW**  
MITSUBISHI TRITON MQ X-BAR

## **i** TOWBAR ASSEMBLY DIAGRAM



ITEM	DESCRIPTION	QTY
1	WELDED ASSEMBLY	1
2	RH SIDE ARM	1
3	LH SIDE ARM	1
4	WIRING HOUSING	1
5	PLUG PLATE	1
6	XBAR REAR COVER	1
7	STEP BRACKET SPACER	8
8	FORGED SIDE RECOVERY HOOK	2
9	FORGED CENTRE RECOVERY HOOK	1
10	HR TOWBALL	1
11	3.5T FORGED TBM 65MM DROP	1
12	"D" SHACKLE 10mm	2
13	ANTI-RATTLE PULL PIN ASSY GOLD	1
14	BUSH 15ODx8Lx5ID	4
15	SCREW PAN XR HD M5x16x0.8P	4
16	NUT NYLON INT LOCK M5x0.8P	4
17	XBAR COVER SPRING 60L x 10OD x 1P	2
18	BOLT COACH M8x20x1.25P	2

ITEM	DESCRIPTION	QTY
19	NUT NYLOC HEX M8x1.25P	2
20	SIDE RECOVERY HOOK BOLT KIT	2
21	CENTRE RECOVERY HOOK BOLT KIT	1
22	SET SCREW HEX M10x35x1.25P	4
23	WASHER M8	4
24	FLANGED NUT HEX M12x1.25P	8
25	SET SCREW FLANGE M12x35x1.25P	8
26	SET SCREW HEX HD M12x40x1.75P	10
27	WASHER PLAIN 1/2	20
28	NUT HEX M12x1.75P	10
29	SCREW PAN HD M4x16x0.7P	2
30	NUT NYLOC HEX M4x0.7P	2
31	SCREW PAN HD M3x20x0.7P	2
32	NUT NYLOC HEX M3x0.7P	2
33	XBAR LOGO STICKER	2
34	ACRYLIC COMPLIANCE LABEL	1
35	WIRING LOOM	1



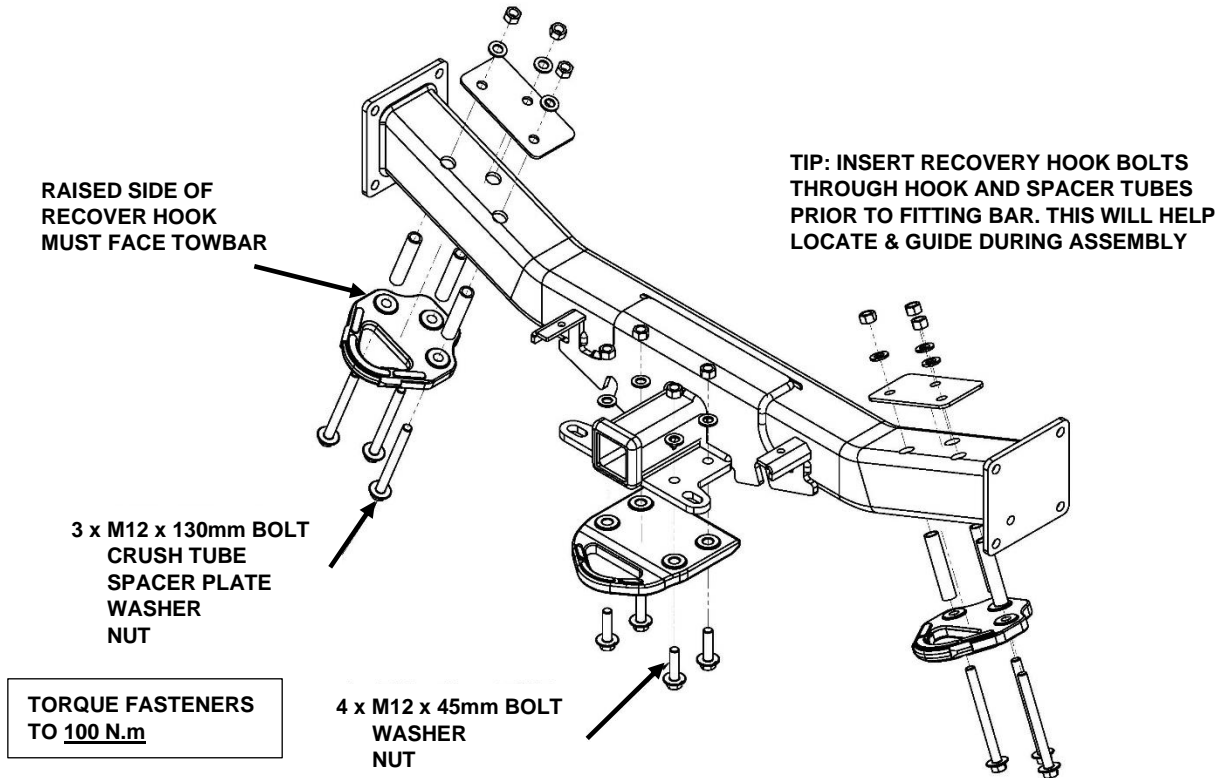
# TOWBAR INSTALLATION INSTRUCTIONS

PART NUMBER 03295XW

MITSUBISHI TRITON MQ X-BAR

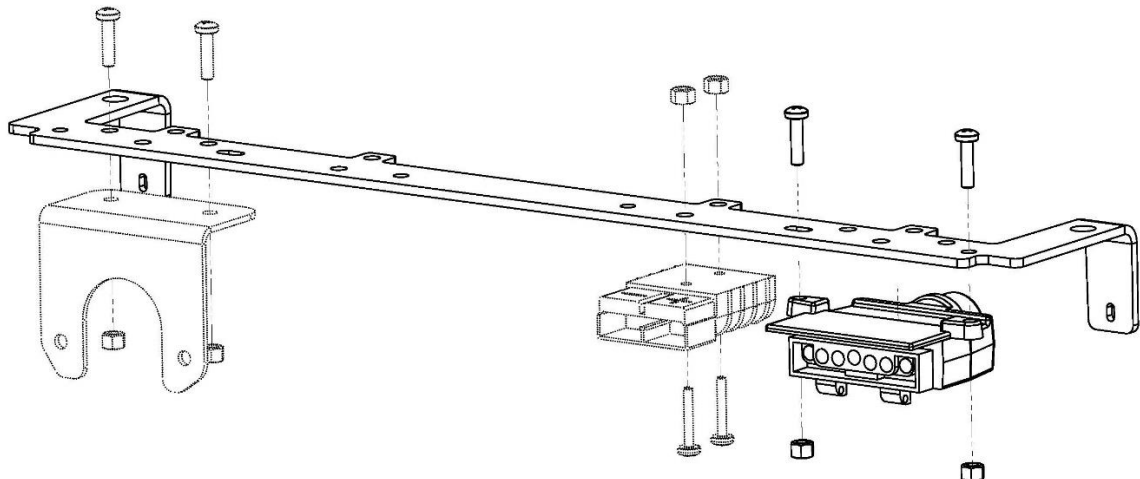
**NOTE:** Pre-assembly of X-Bar centre section can assist for vehicles with difficult access.

## A. BOLT RECOVERY HOOKS TO TOWBAR



## B. MOUNT PLUGS TO BRACKET

AFTER CHOOSING YOUR DESIRED PLUG CONFIGURATION, INSTALL PLUGS AND WIRING TO BRACKET USING FASTENERS PROVIDED





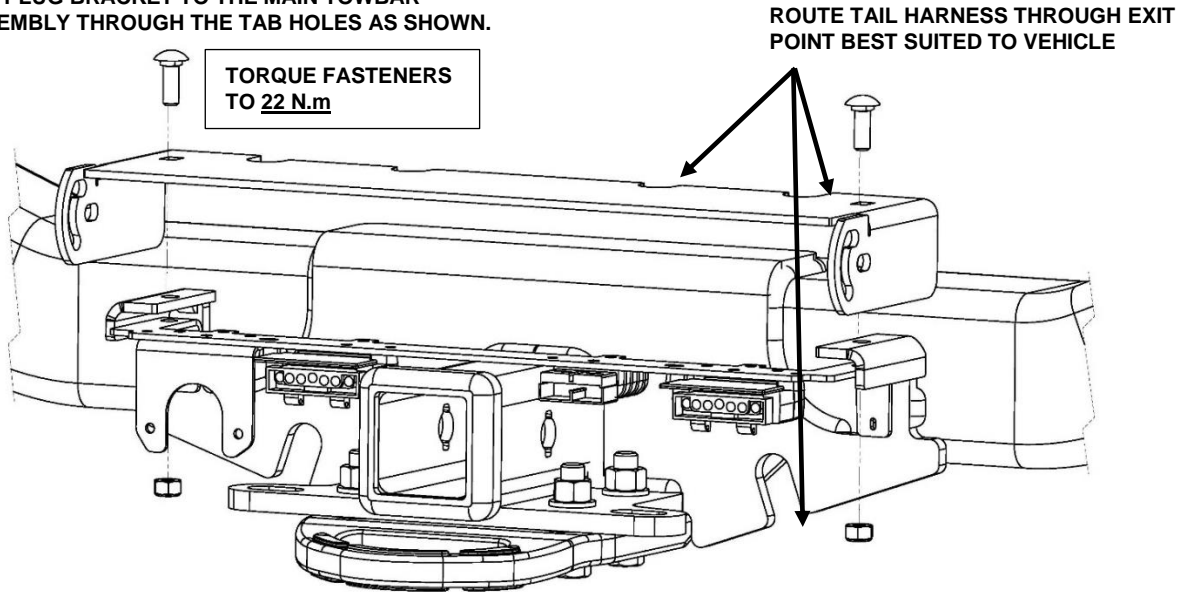
# TOWBAR INSTALLATION INSTRUCTIONS

PART NUMBER 03295XW

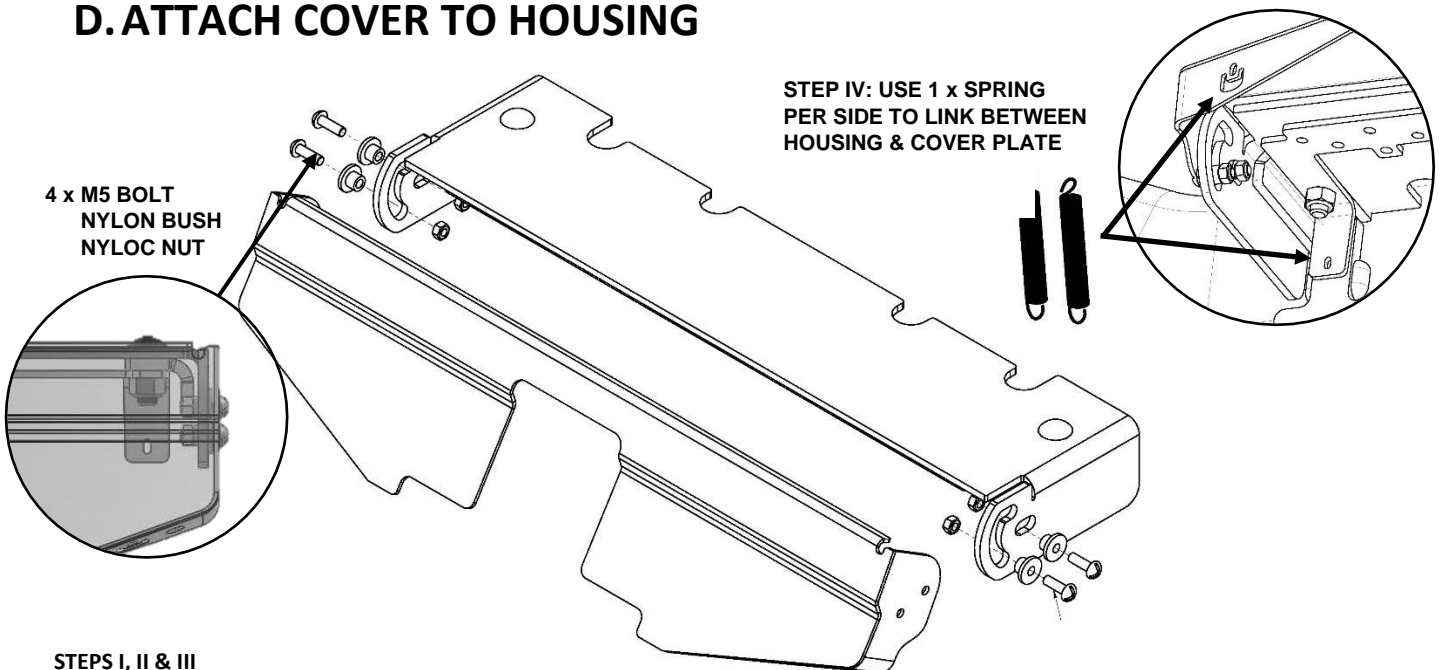
MITSUBISHI TRITON MQ X-BAR

## C. INSTALL WIRING HOUSING

USING 2 x M8 COACH BOLTS COMPLETE WITH 1 x NYLOC NUT PER BOLT, SECURE THE WIRING HOUSING AND PLUG BRACKET TO THE MAIN TOWBAR ASSEMBLY THROUGH THE TAB HOLES AS SHOWN.



## D. ATTACH COVER TO HOUSING



### STEPS I, II & III

- I. INSERT BUSHES INTO SLOTS
- II. THEN PLACE COVER OVER HOUSING, LINING UP BUSHES WITH SCREW HOLES
- III. FINALLY FASTEN COVER TO HOUSING BY PUSHING SCREWS THROUGH BUSHES AND SECURING WITH NUTS

**NOTE:** DO NOT OVERTIGHTEN FASTENERS TO ENSURE COVER ASSEMBLY CAN ROTATE FREELY & TO PREVENT DAMAGE TO BUSHES



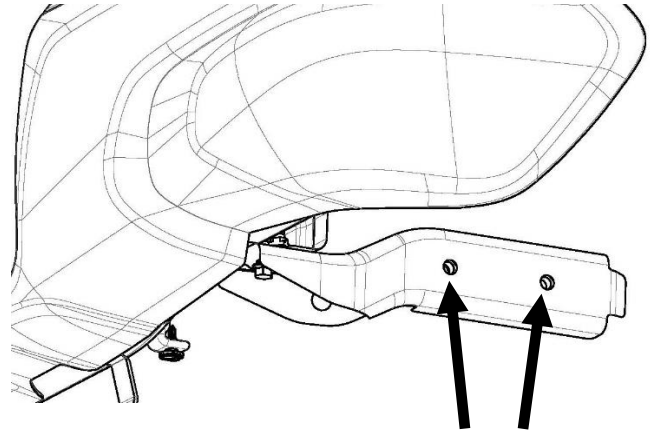
# TOWBAR INSTALLATION INSTRUCTIONS

PART NUMBER 03295XW

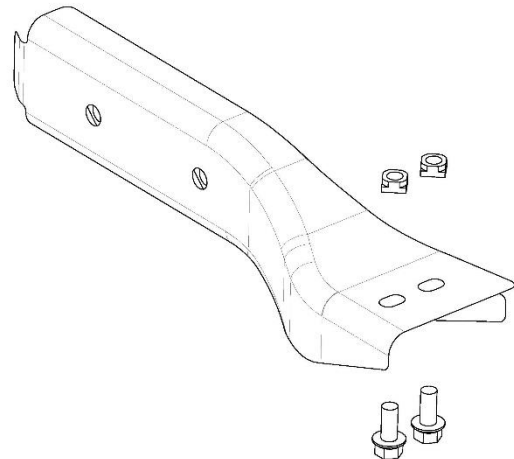
MITSUBISHI TRITON MQ X-BAR

## INSTALLATION TO VEHICLE

1. Remove step from vehicle secured with 2 x bolts per side, making sure to disconnect reversing sensors if fitted.

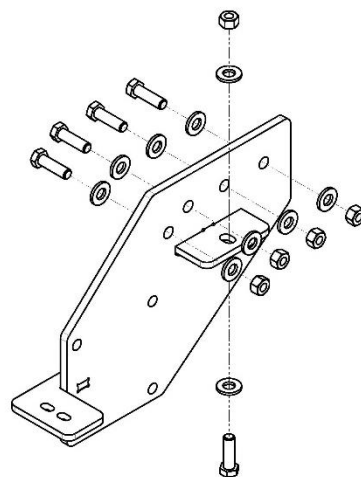


2. Remove step bracket from step secured with 2 x bolts per bracket. Discard brackets and bolts.



3. Lift side arm assembly to chassis and secure with 5 x M12 bolts, complete with 2 x washers and 1 x nut per bolt.

Repeat for opposite side.





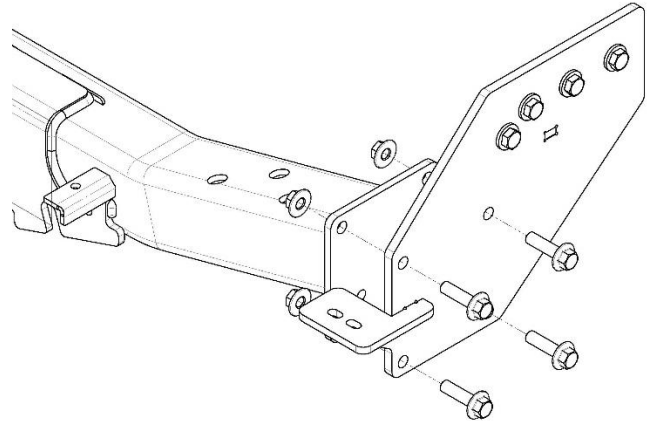
# TOWBAR INSTALLATION INSTRUCTIONS

PART NUMBER 03295XW

MITSUBISHI TRITON MQ X-BAR

4. Lift centre welded assembly up to side arms and loosely secure with 4 x M12 flange bolts per side, complete with 1 x M12 flange nut per bolt.

Repeat for opposite side.

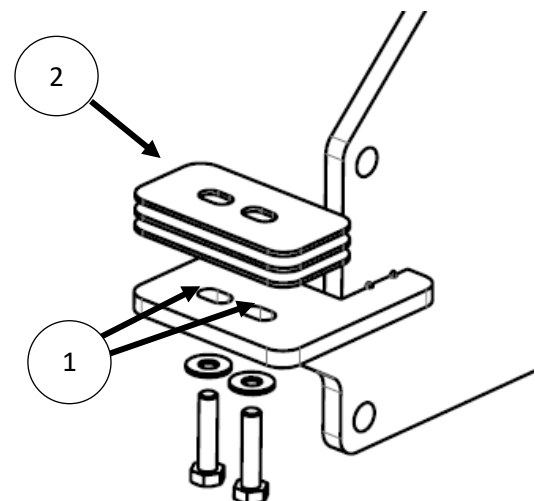


5. If not already done, complete pre-assembly steps A, B, C & D now.

6. Fit factory step to towbar sidearms (1) using 4 x M8x35mm bolts (2 per side) complete with 1 x washer per bolt.

**Torque to 22 Nm.**

**Note:** For plug housing clearance, use spacers provided (2) between sidearms and factory step where necessary.



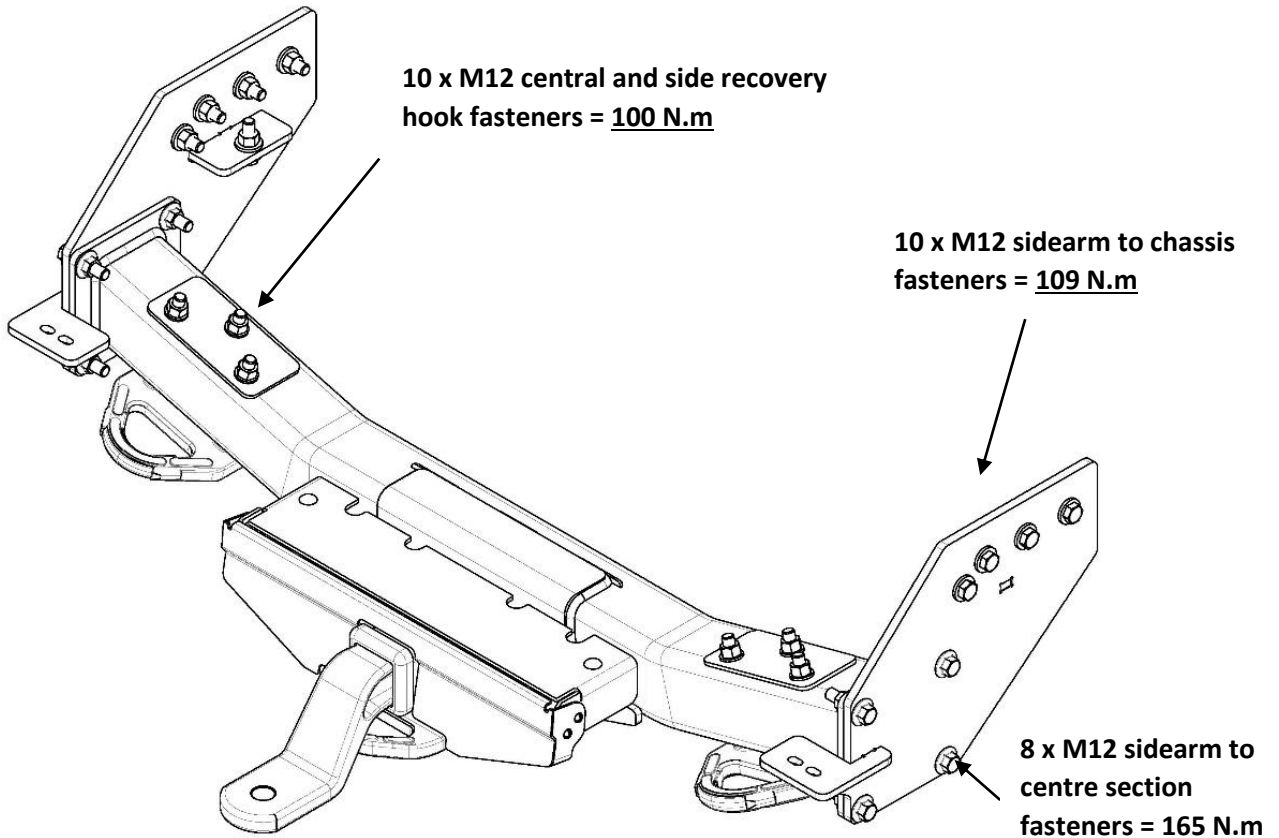


# TOWBAR INSTALLATION INSTRUCTIONS

PART NUMBER 03295XW

MITSUBISHI TRITON MQ X-BAR

7. Torque all bolts as follows:



**IMPORTANT:** Ensure all bolts are tightened to correct torques using a calibrated torque wrench. Tighten side arms to chassis rail first in an even pattern/sequence. Repeat for centre section to side arms and finally torque all other fasteners.





# TOWBAR INSTALLATION INSTRUCTIONS

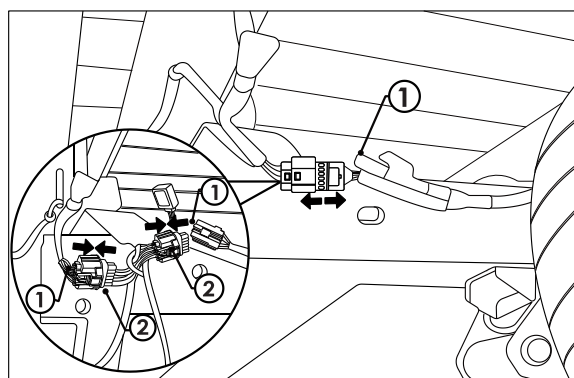
PART NUMBER 03295XW

MITSUBISHI TRITON MQ X-BAR

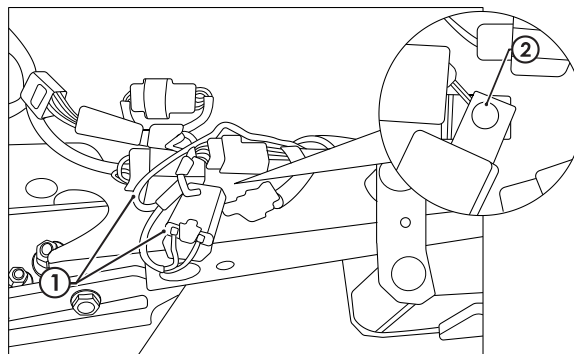
## IMPORTANT

Due to possible vehicle variations, always confirm any noted vehicle colour wires with a multi-meter to ensure the correct function is identified before soldering or scotch locking. For vehicle wires denoted with two colours (example; RED/GREEN) the first colour will always be the main wire colour while the second colour is the thinner trace colour on the wire.

8. Underneath the rear LHS quarter of the vehicle, disconnect the LHS tail light connector (1).
9. Connect the trailer patch connectors (P/No: 100006-WL) (2) in between the tail light connectors (1).

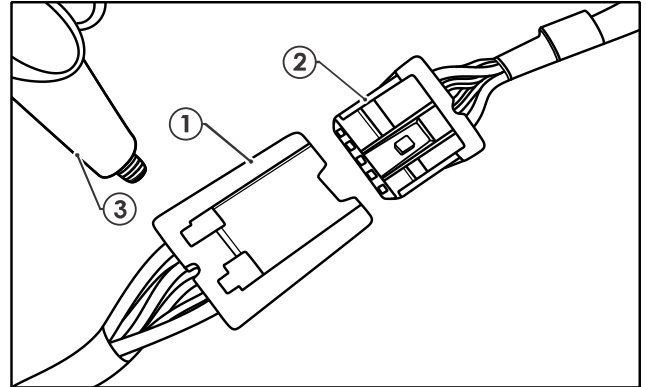


10. Connect the relays (1) to the trailer patch.
11. Insert green secondary lock so that the connectors cannot come out.
12. Secure the relays (1) and trailer patch ground ring terminal (2) onto the chassis rail using a tek screw (not supplied).



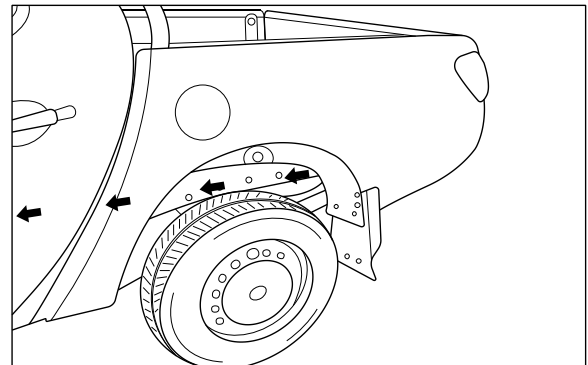
13. Connect the tail harness 8-way connector (1) to the trailer patch 8-way mating connector (2).

14. Apply silicone grease (3) to waterproof connector.

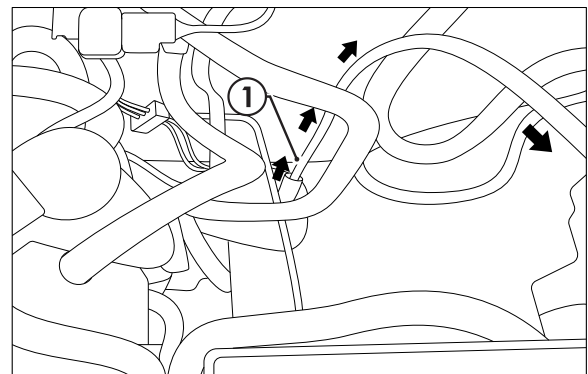


15. Route the trailer patch battery ring terminal wire along the LHS chassis rail following the vehicle body harness, all the way to the engine bay battery area.

16. Secure harness with cable ties (not supplied) at every 200mm intervals. Ensure to keep away from any moving parts or sharp objects.



17. In the engine bay, retrieve the trailer patch ring terminal branch (1).



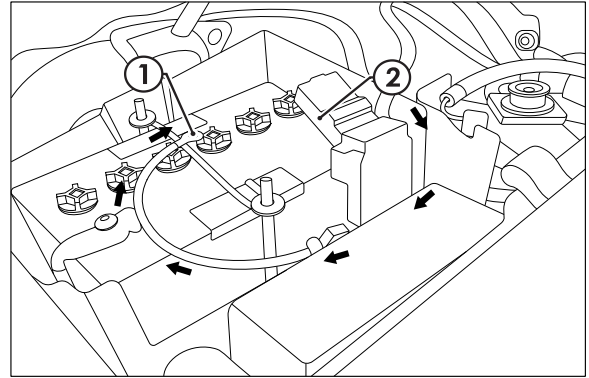


# TOWBAR INSTALLATION INSTRUCTIONS

PART NUMBER 03295XW

MITSUBISHI TRITON MQ X-BAR

- 
18. Secure the trailer patch ring terminal (1) onto the positive battery terminal (2).



- 
19. Test the trailer patch function using a light board or multi-meter.
20. Secure all harnesses using cables ties (not supplied).
21. Re-fit all removed parts and secure all fasteners, ensuring there are no squeaks or rattles.

Place instructions in glove box after fitment



# CUSTOMER INFORMATION

PLACE THESE INSTRUCTIONS IN THE  
VEHICLE'S GLOVEBOX AFTER INSTALLATION

**THANK YOU FOR PURCHASING HAYMAN REESE.  
WITH CORRECT MAINTENANCE AND CARE THIS PRODUCT WILL PROVIDE A  
LIFETIME OF TROUBLE-FREE OPERATION.**

## **i** TOWBAR MAINTENANCE AND CARE:

1. Hayman Reese recommend that the towbar LUG or TBM (tow ball Mount) Pull Pin and R-clip are removed and stored when not in use. Removal of LUG or TBM (tow ball mount) is advisable when not in use to assist with any of the following.
  - Ensure rear number plate is not obscured.
  - Allow maximum available departure angle and prevent any potential interference.
  - Prevent possible interference with vehicles reverse sensors or camera detecting a tow ball mount as an obstruction during reversing.
  - Removes towball mount as an obstruction for when moving around the rear of the vehicle.
2. Hayman Reese recommends routine inspection of your towbar to ensure trouble free towing.
  - Bolt security and tension should be regularly inspected and checked for correct tension. Replace any worn or defective parts with suitable grade & class fasteners. Inspection should be requested to coincide with vehicle major services.
3. It is the owner's responsibility to ensure towing and down ball weight capacities of the towing vehicle are not exceeded.
  - Towing and down ball weights allowable may differ according to model variations. Please refer to owner's manual or vehicle dealer to confirm exact rating for your vehicle model variant.
  - It is not uncommon for the vehicle tow rating to differ from the towbar rating. When this occurs, the lesser rating must be adhered to.
  - For vehicles fitted with enhanced vehicle functions that may be altered/changed when towing i.e Trailer sway mitigation, blind spot detection, adaptive cruise control etc. Please consult owner's manual to understand changes enabled when towing and after towing.

## **i** WARRANTY INFORMATION:

Hayman Reese Towbars are covered by a Lifetime Warranty.

Our goods come with guarantees that cannot be excluded under the Australian Consumer Law. You are entitled to a replacement or refund for a major failure and for compensation for any other reasonably foreseeable loss or damage. You are also entitled to have the goods repaired or replaced if the goods fail to be of acceptable quality and the failure does not amount to a major failure.

For further details please visit [www.haymanreese.com.au/warranty](http://www.haymanreese.com.au/warranty) or contact customer service on 1800 812 017 or [info@haymanreese.com.au](mailto:info@haymanreese.com.au).



# CUSTOMER INFORMATION

PLACE THESE INSTRUCTIONS IN THE VEHICLE'S GLOVEBOX AFTER INSTALLATION

## HAYMAN REESE SMART PIN

Your Hayman Reese towbar is equipped with Smart Pin technology to help reduce towbar tongue rattle in most driving conditions. Please ensure below instructions are understood and routine maintenance is carried out to ensure best towing experience.

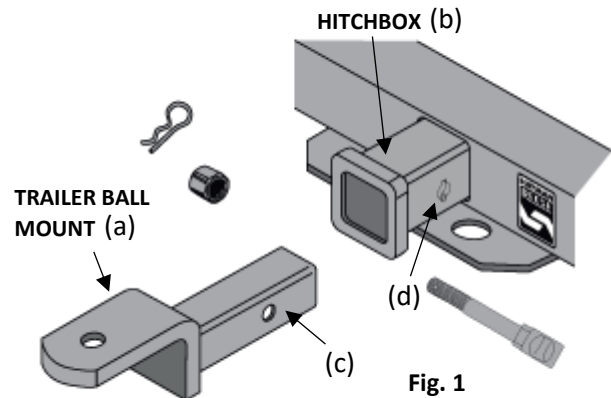
**i** Regularly inspect for wear and check the tightness of the Smart Pin Nut. Follow instructions below to re-tighten the nut as necessary when movement and noise in the tow ball mount is noted.

- Before towing, ensure R-Clip is properly installed and Smart pin nut is installed and tensioned. Replacement parts are available from your Hayman Reese Distributor.

## TOWBALL MOUNT REMOVAL/INSTALLATION

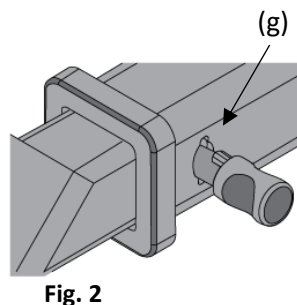
### STEP 1

Insert Trailer Ball Mount (TBM) (a) into towbar hitchbox (b), aligning hole in TBM shank (c) with hole in hitchbox (d) (Fig. 1)



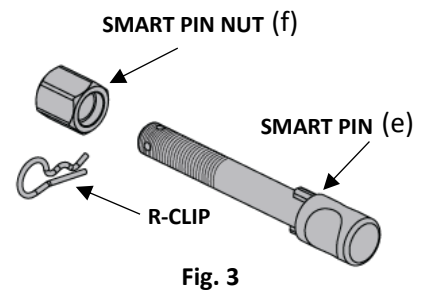
### STEP 2

Insert Smart Pin (e) through hole in hitchbox and hole in TBM shank (g); ensure the locators are inserted into the notches in the hitchbox (Fig. 2)



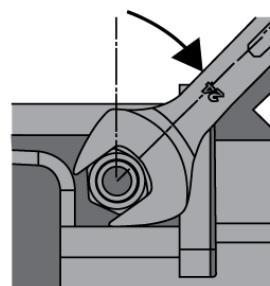
### STEP 3

Screw Smart Pin Nut (f) onto Smart Pin (g); tighten Smart Pin Nut until finger tight, ensuring TBM is restrained from up and down movement.



### STEP 4

Tighten Smart Pin Nut by turning nut a further 1/8th of a turn in the clockwise direction using a 24mm spanner (Fig. 4).



### STEP 5

Install Smart Pin R-Clip through the hole that provides best clearance or easiest access. (Fig. 5)

