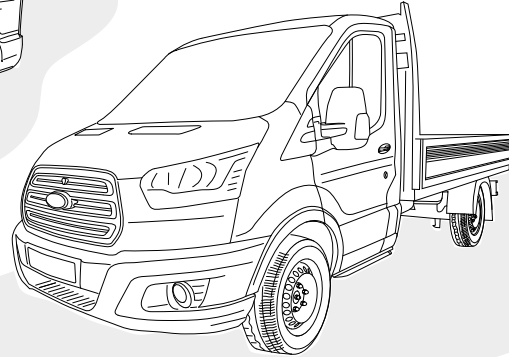
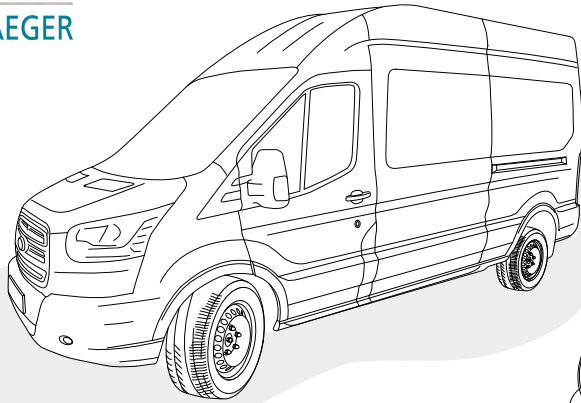




ERICH JAEGER

# Installation instructions



## 750022EJ

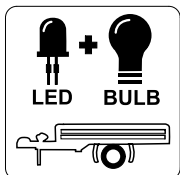
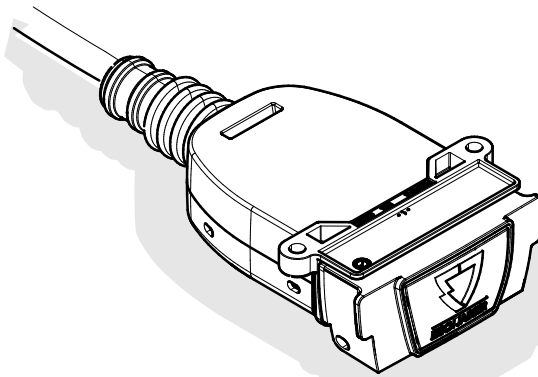
**FORD TRANSIT Chassis Cab / Van**  
**FORD TRANSIT Cargo Duratorq**  
**Diesel**

**04/14 > 05/16**

**04/14 >**



SCAN FOR  
LATEST  
INSTRUCTIONS



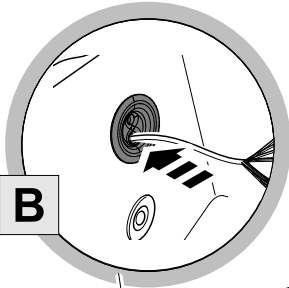
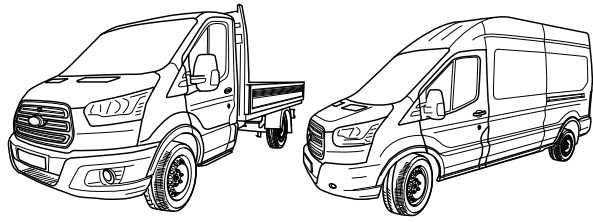
### Reference:

The following information must be reviewed before beginning the assembly:

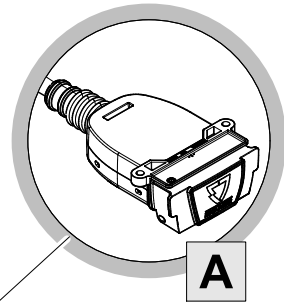
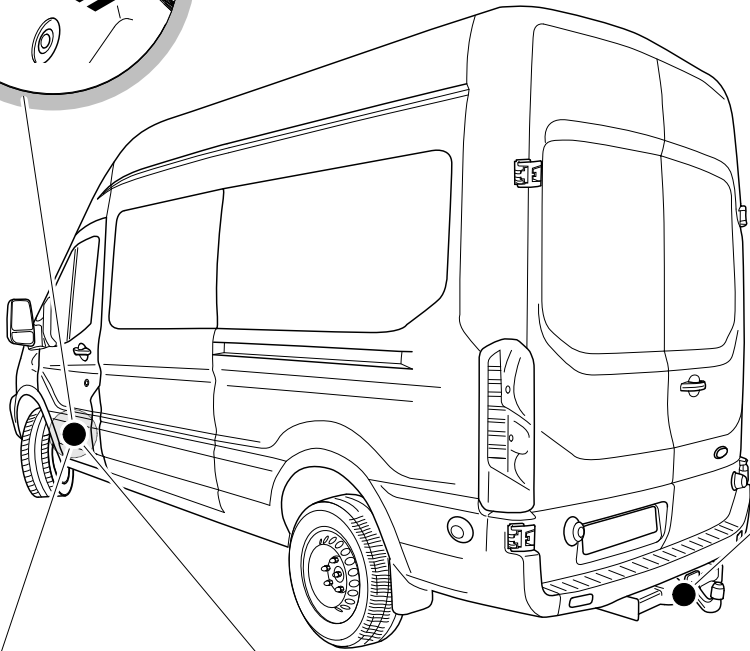
The installation instructions are to be thoroughly read.

The installation should be carried out by qualified personnel with the relevant technical knowledge. The vehicle manufacturers' current technical notices and information on retrofitting must be followed. The removal and replacement instructions found in the current repair manuals must be followed.

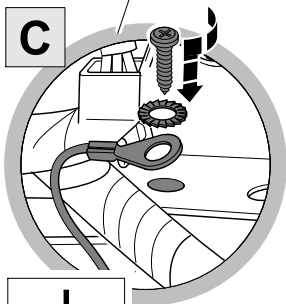
It must be ensured that the vehicle is technically suitable for the installation of a trailer hitch.



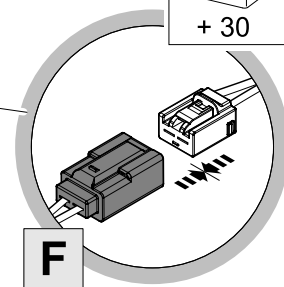
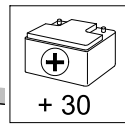
**B**



**A**



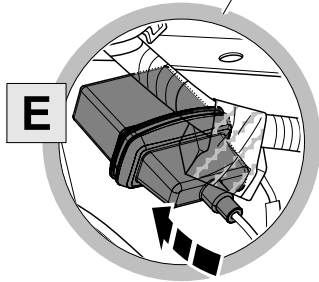
**C**



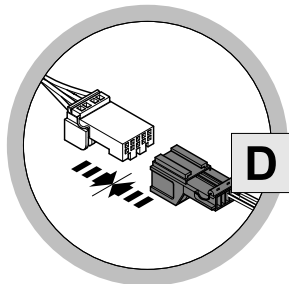
**F**

**OPTION 1**

**OPTION 2**

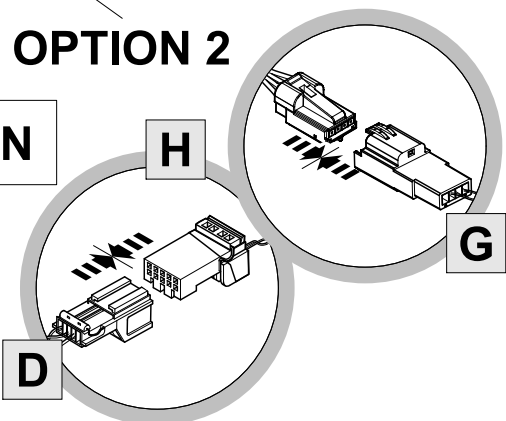


**E**



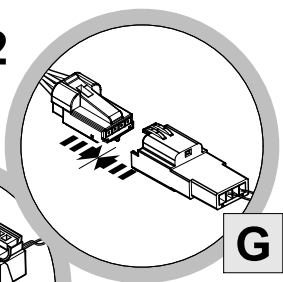
**D**

**CAN**



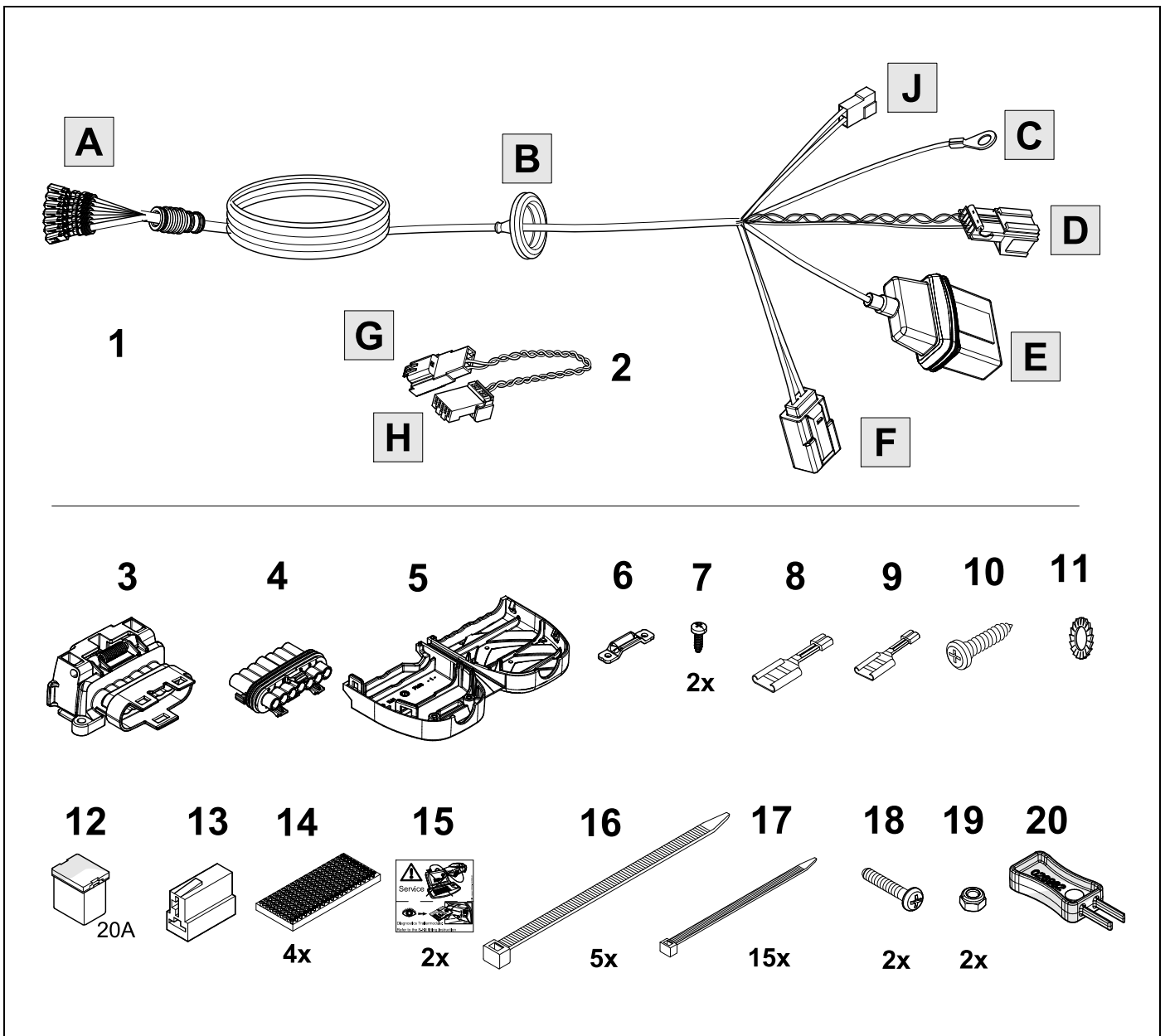
**D**

**H**

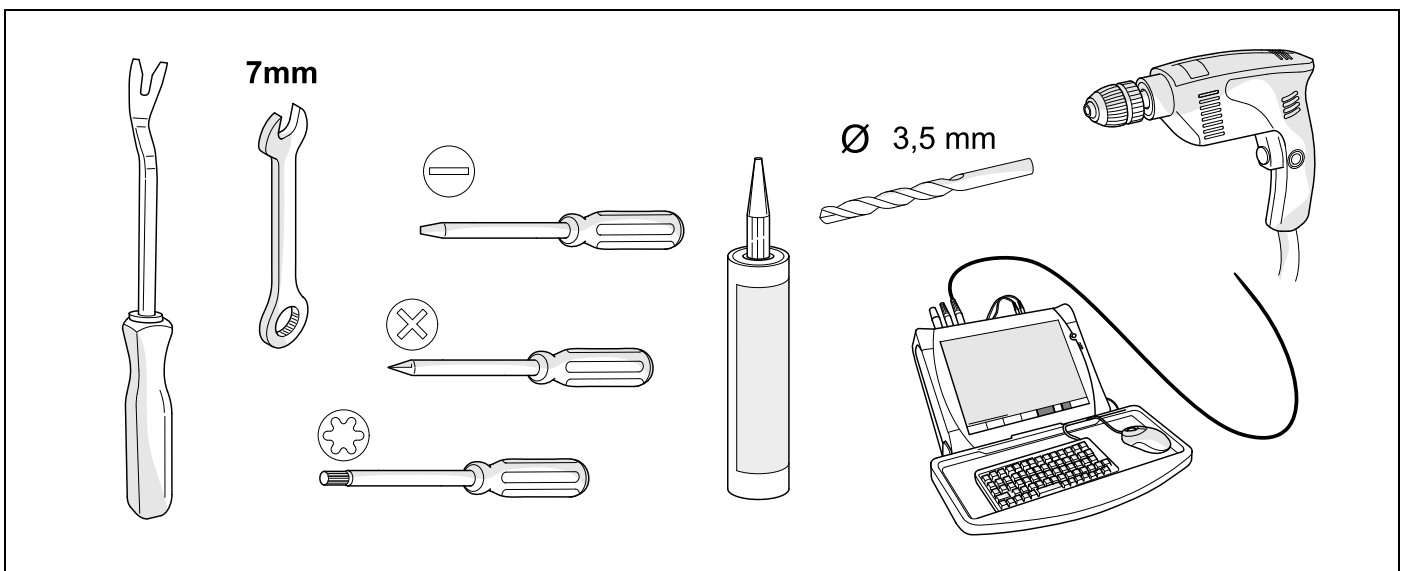


**G**

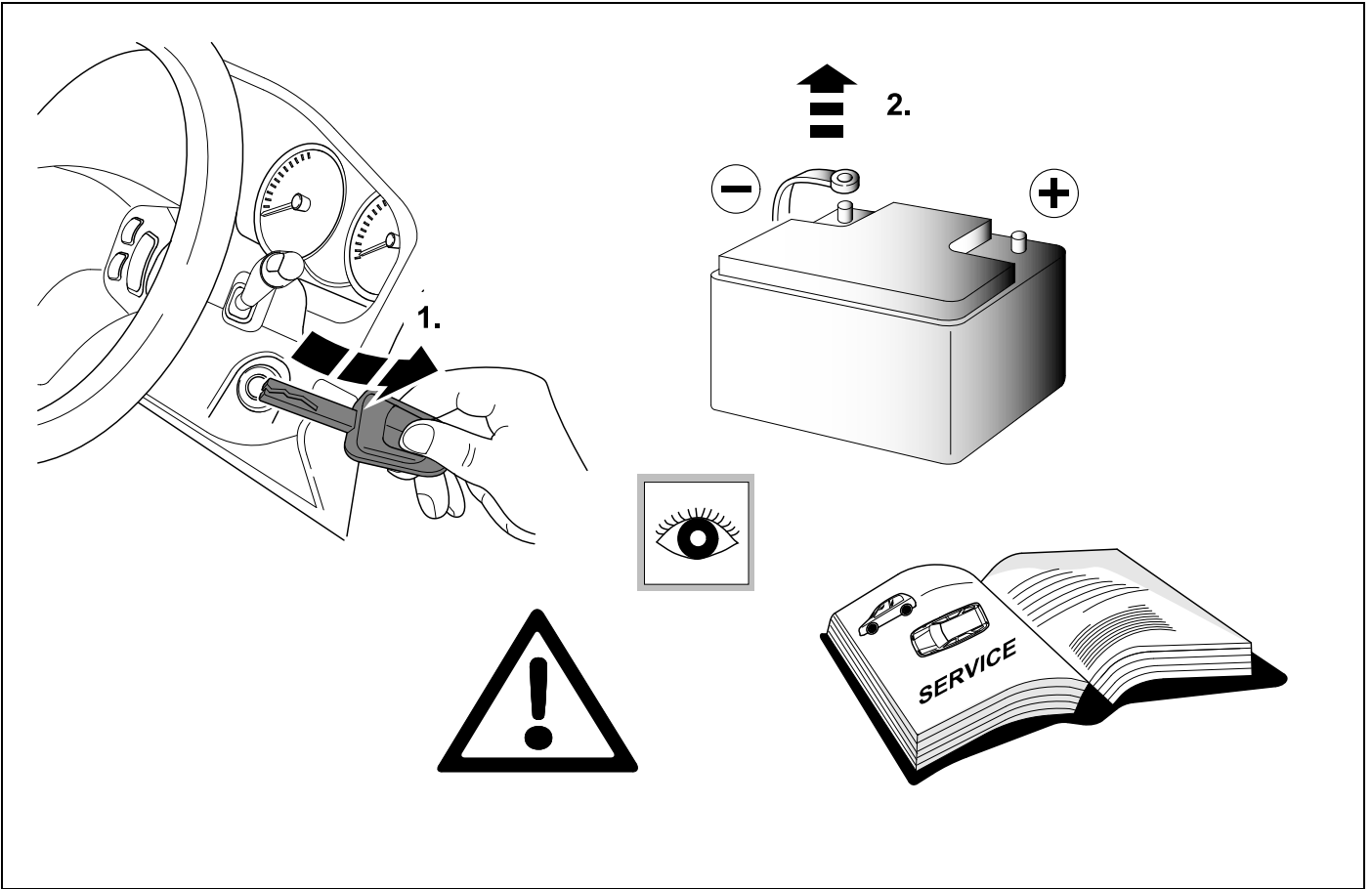
# KIT



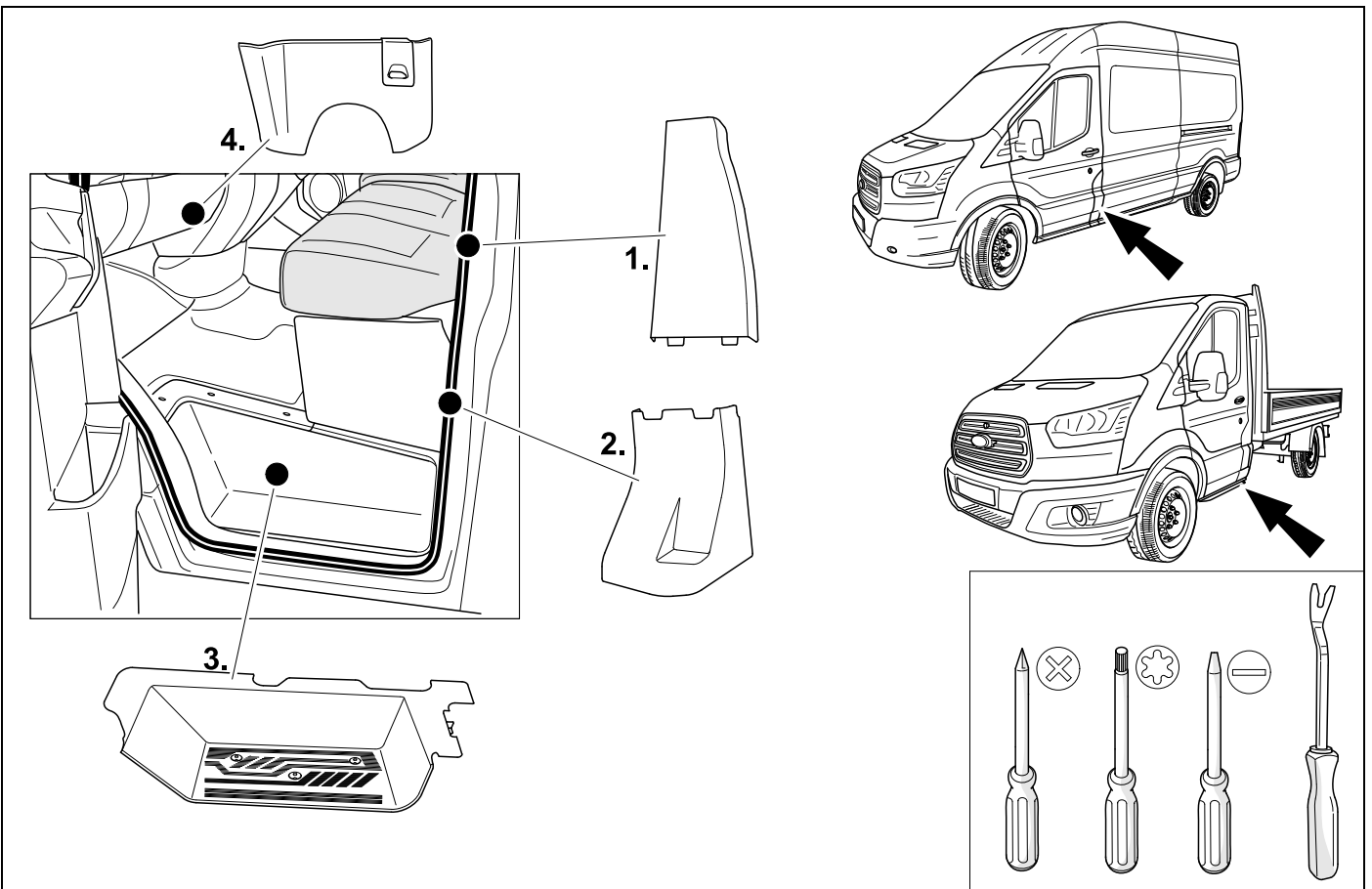
# TOOLS



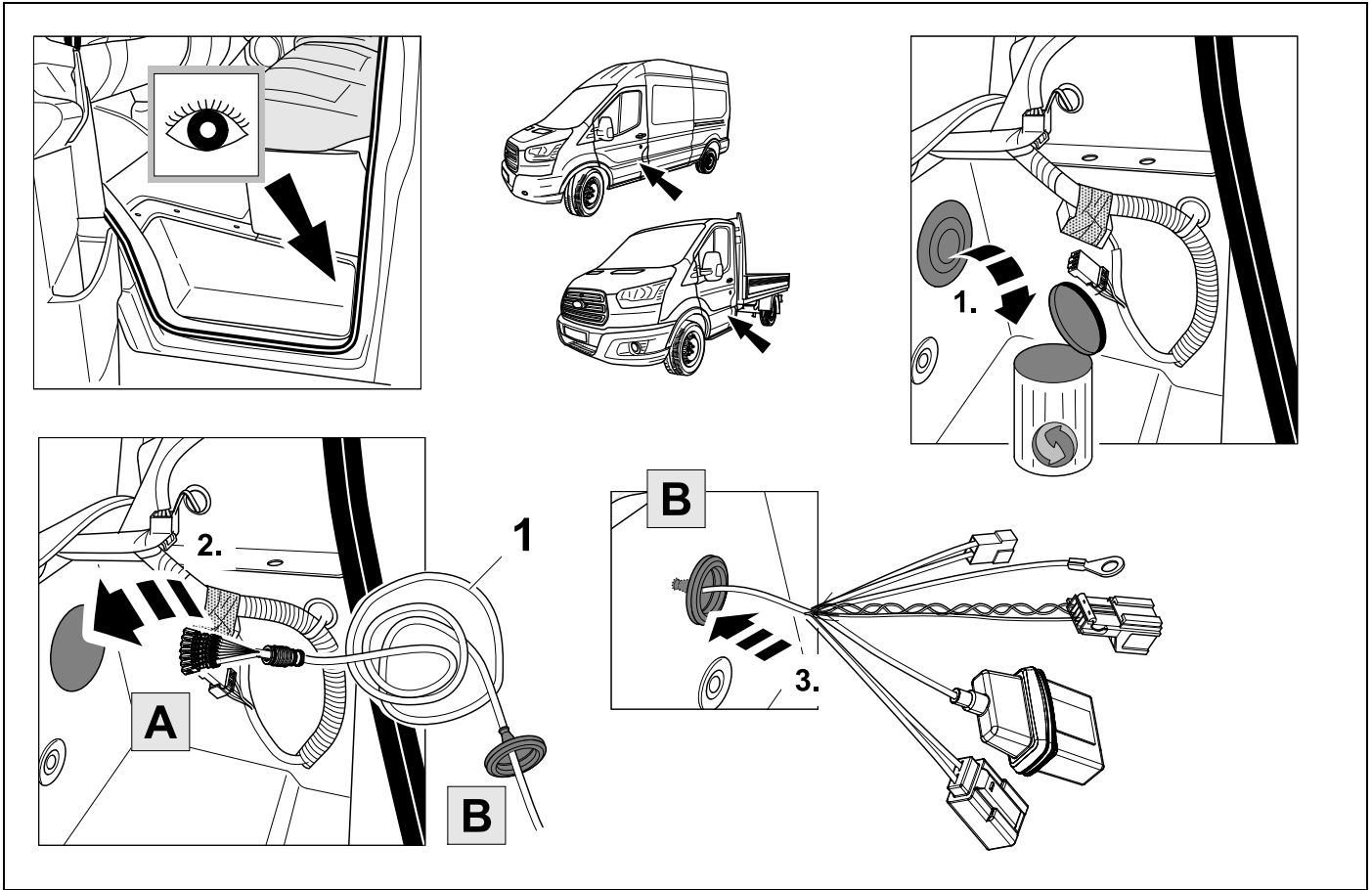
1



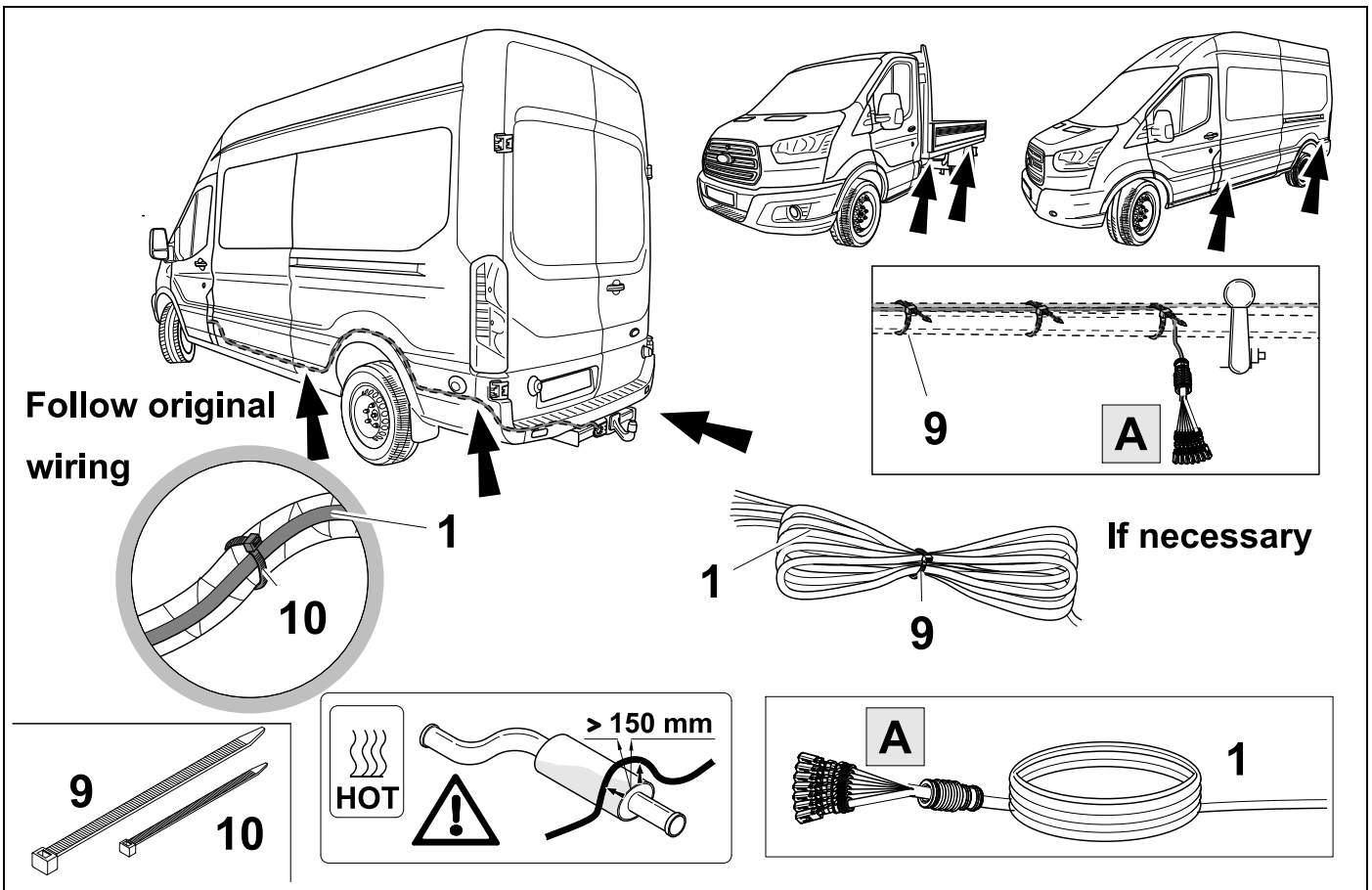
## 2 REMOVE

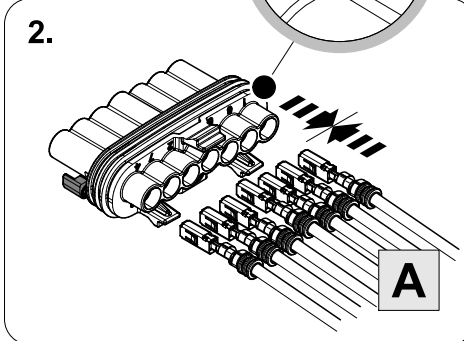
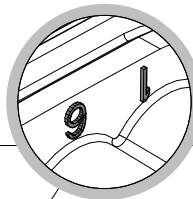
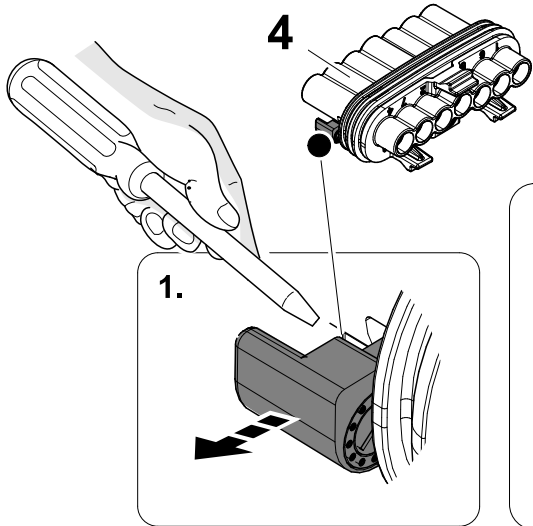


3

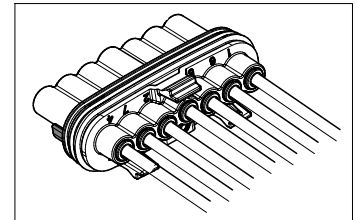
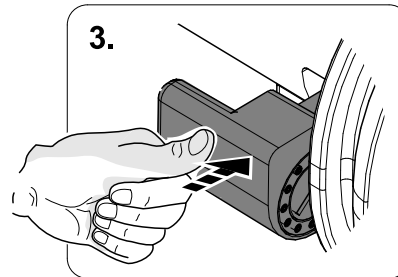
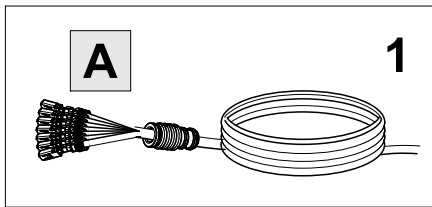


4

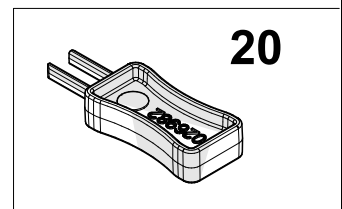
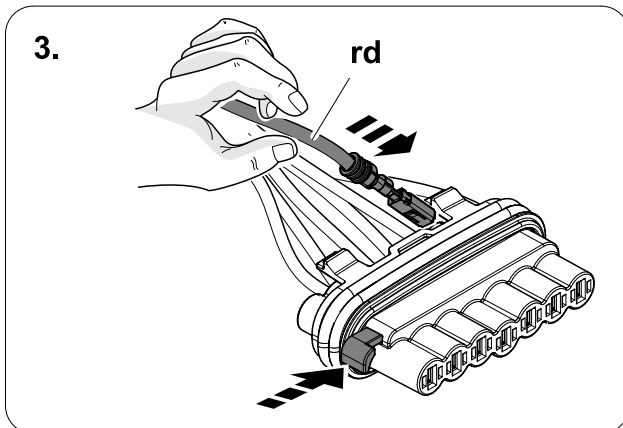
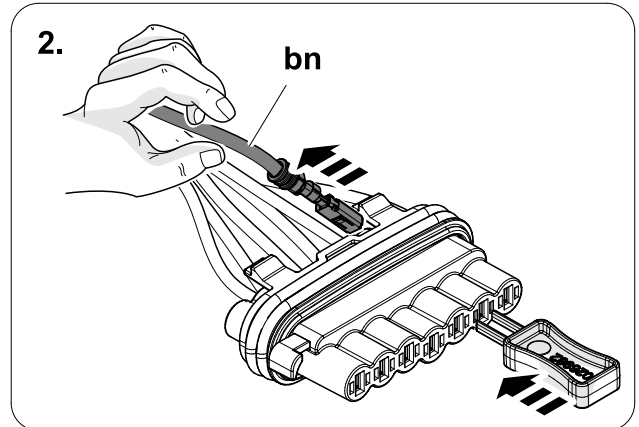
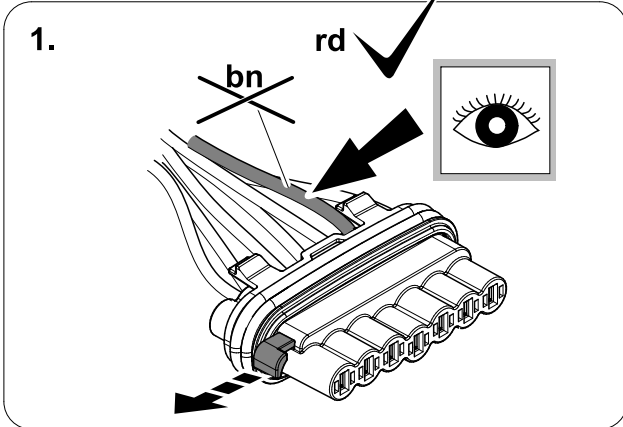




ye	1	
rd	6	
bu	5	
wh	3	
bk	2	
bn	7	
gn	4	

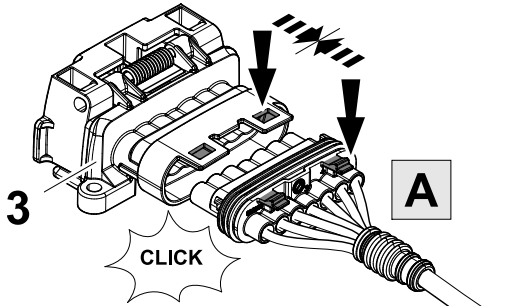


**In case of wrong pin insert:**

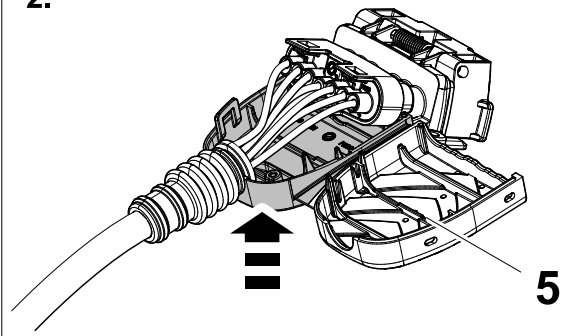


6

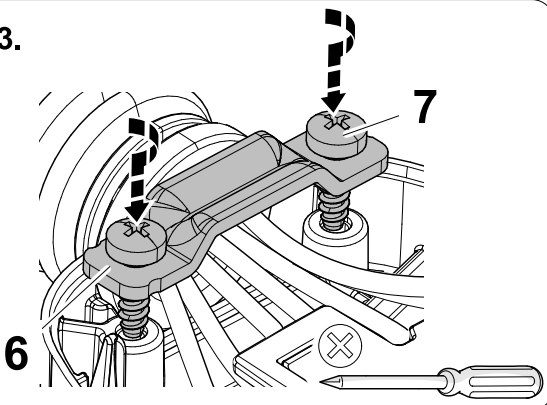
1.



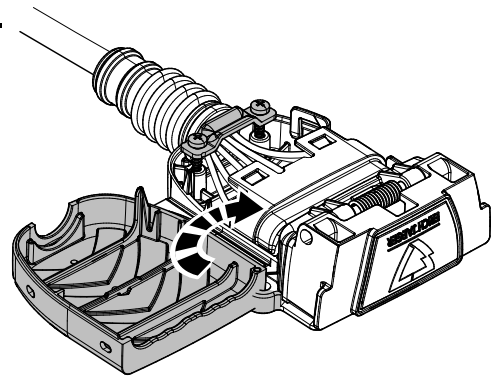
2.



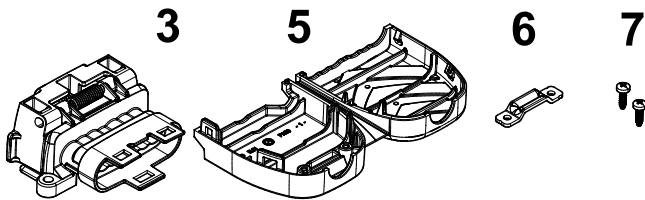
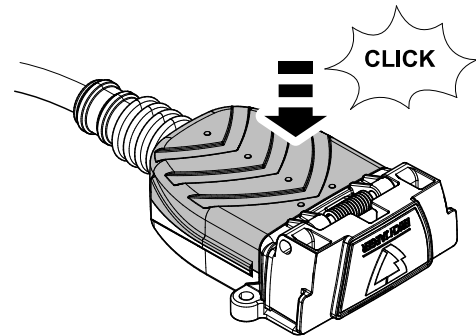
3.



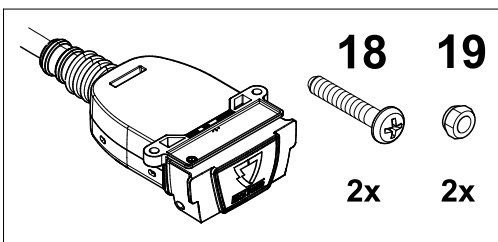
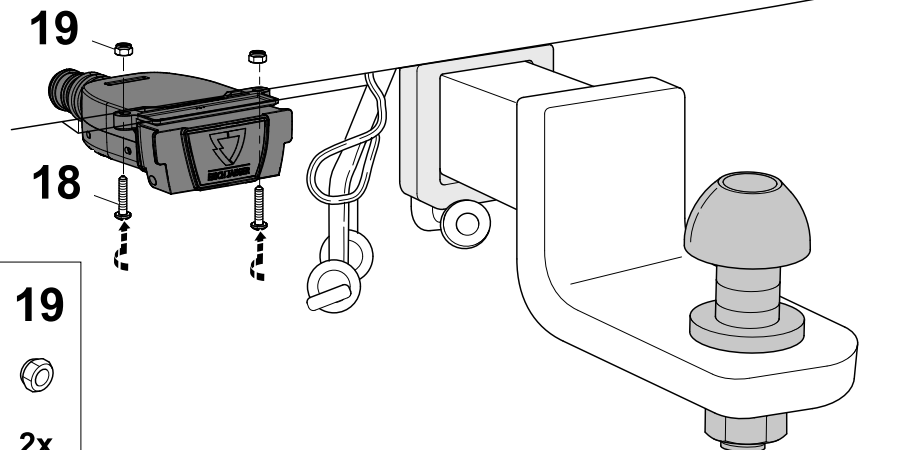
4.



5.



7



8



1	ye	
2	bk	
3	wh	
4	gn	
5	bu	
6	rd	
7	bn	

9	bk	wh	gy	gn	rd	bu	ye	bn	pu	or	no
---	----	----	----	----	----	----	----	----	----	----	----

	black	white	grey	green	red	blue	yellow	brown	purple	orange	not occupied
--	-------	-------	------	-------	-----	------	--------	-------	--------	--------	--------------

10



1.

2.

3.

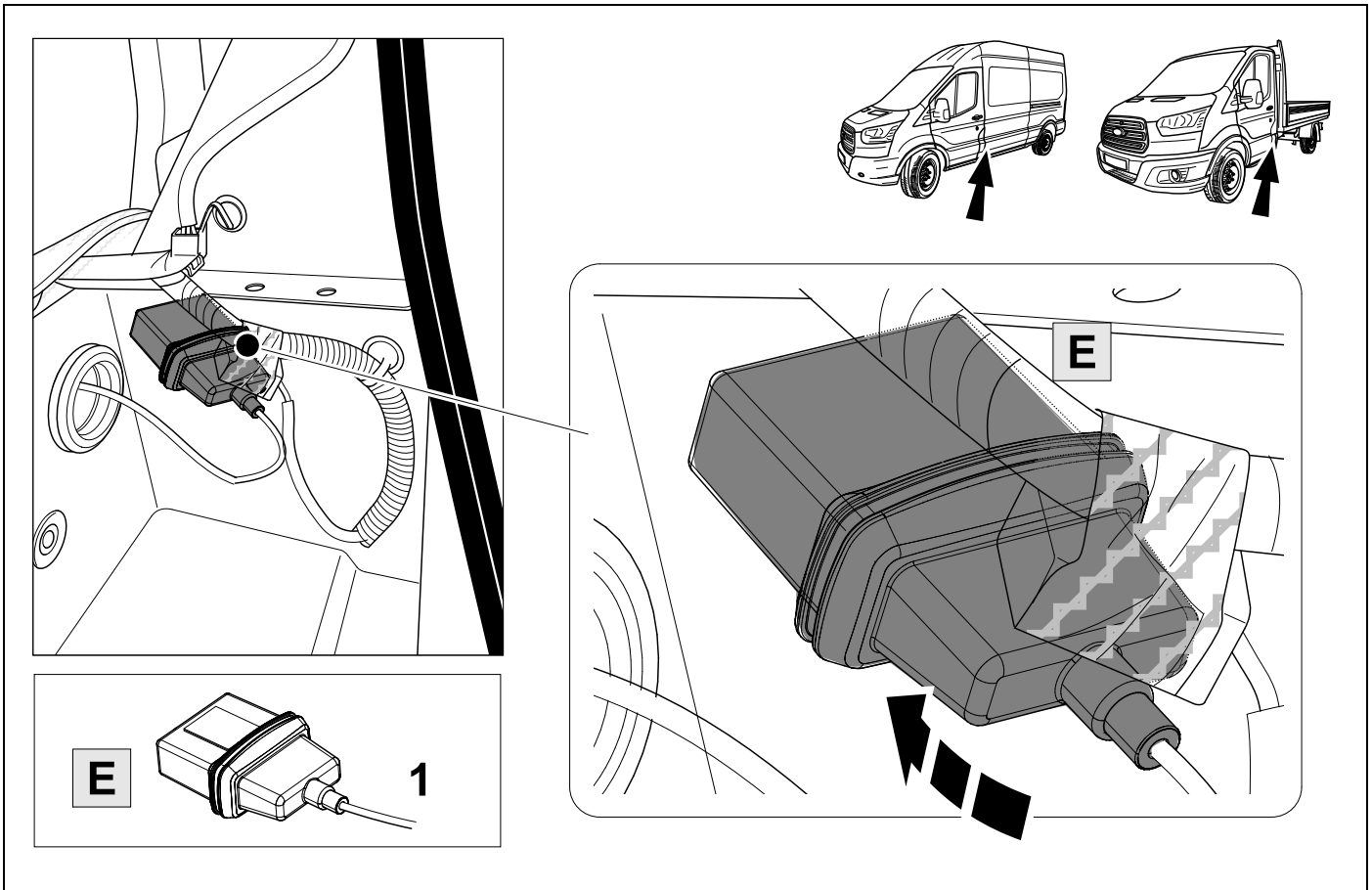
4.

5.

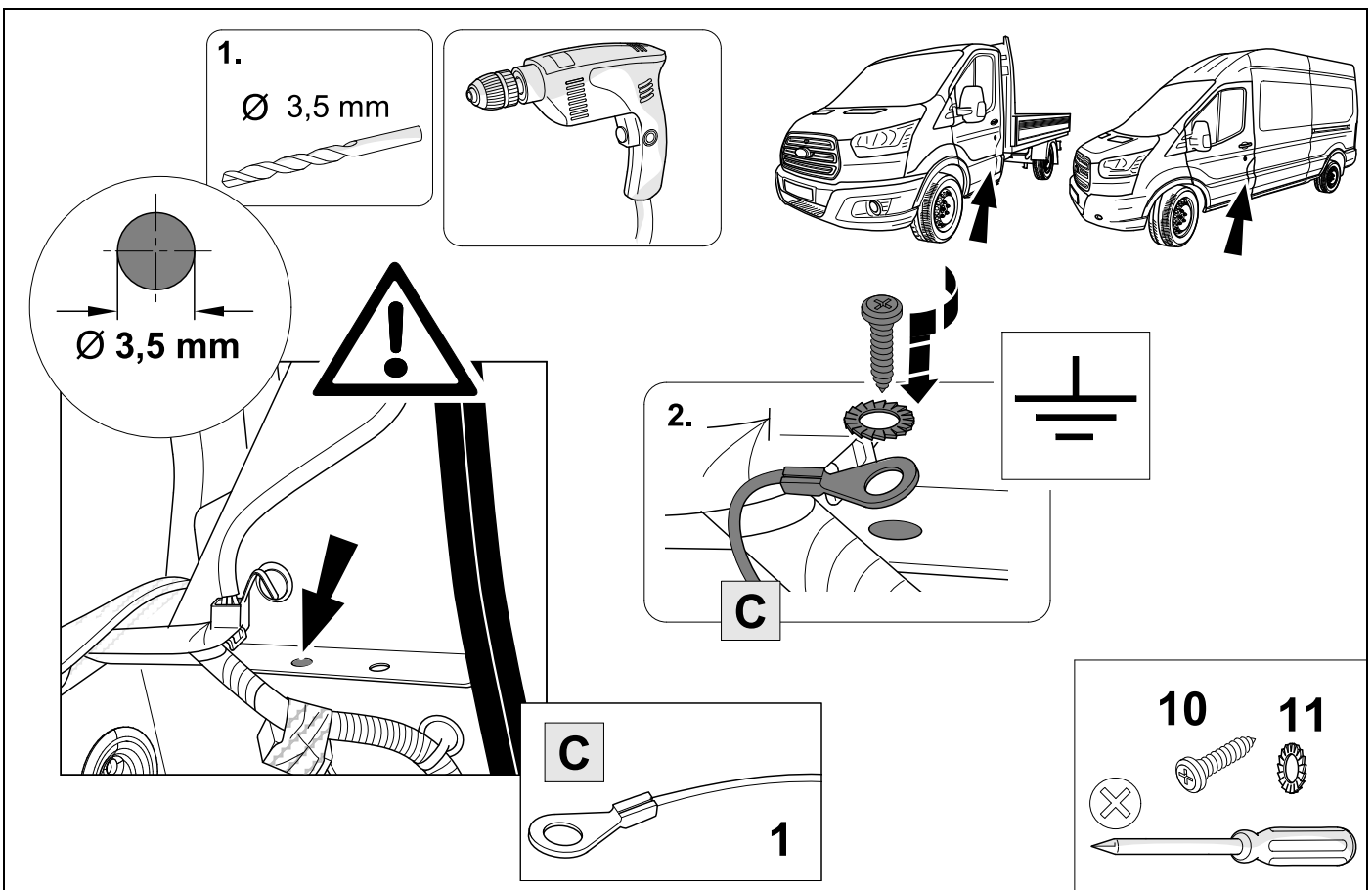
**14**  
4x



11



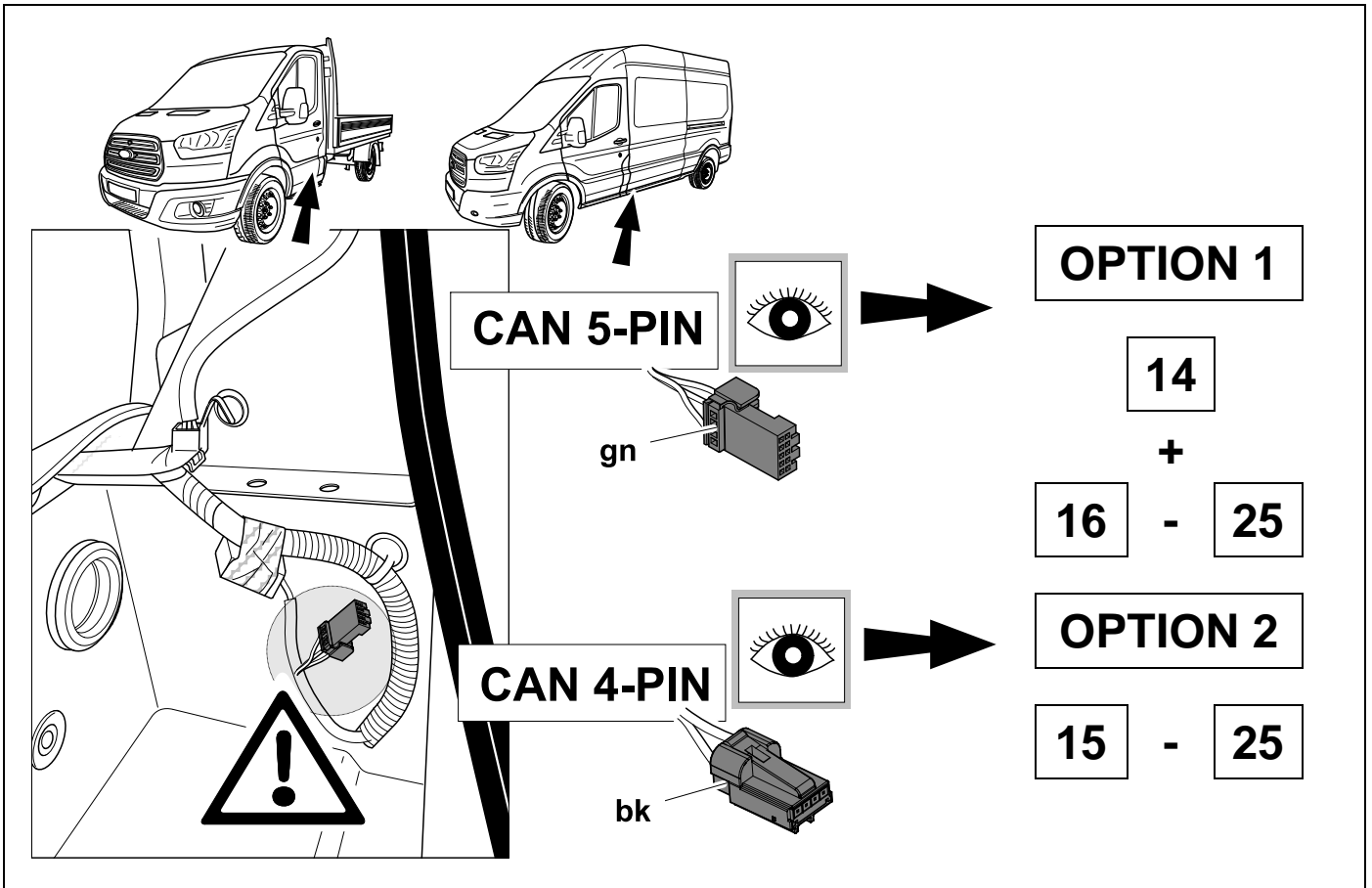
12



13



9

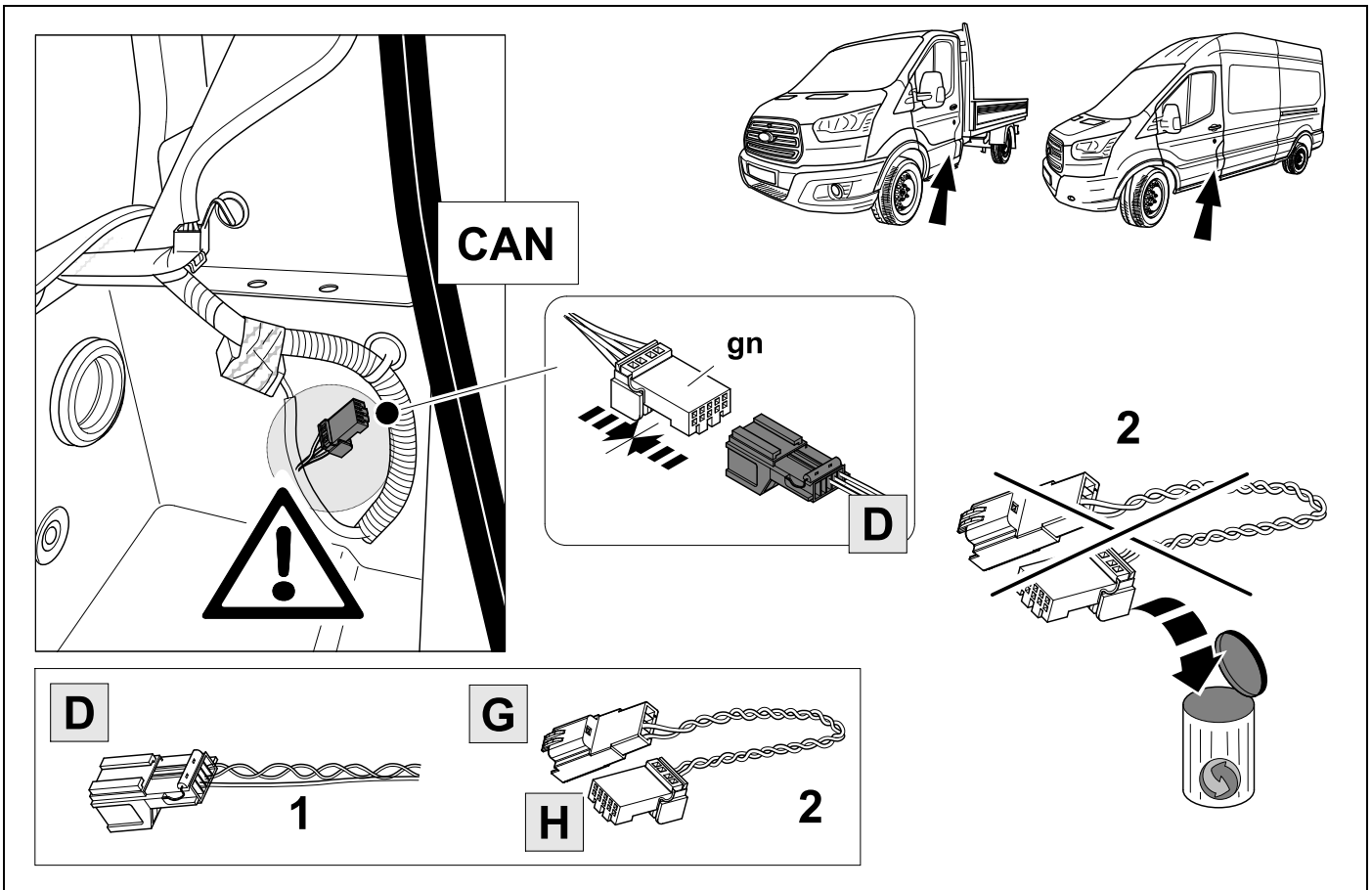


14



9

OPTION 1



**CAN**

1. **bk** **G**

2. **H** **D**

**D** **G** **H** **1** **2**

**+ 30**

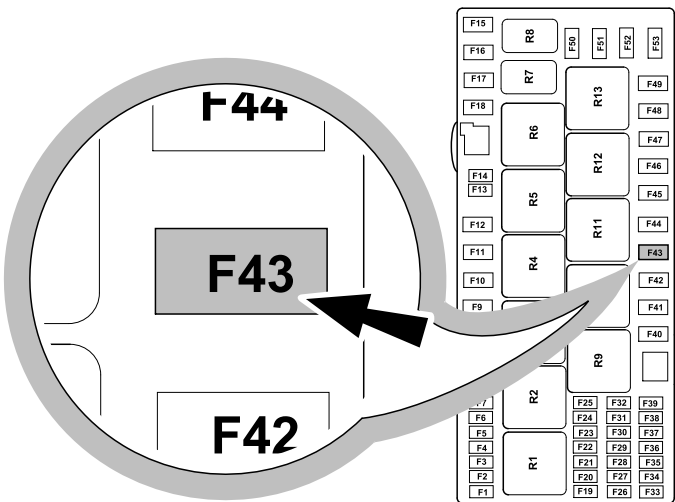
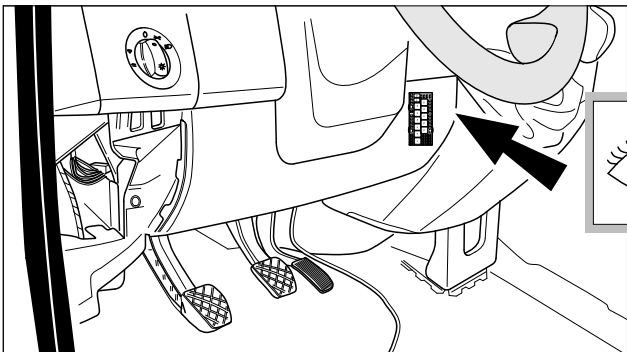
1. **F**

2. **F**

17

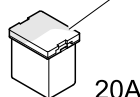


20



12

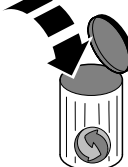
2.



1.



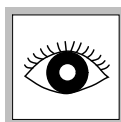
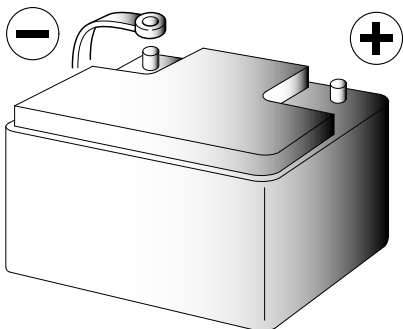
30A



12

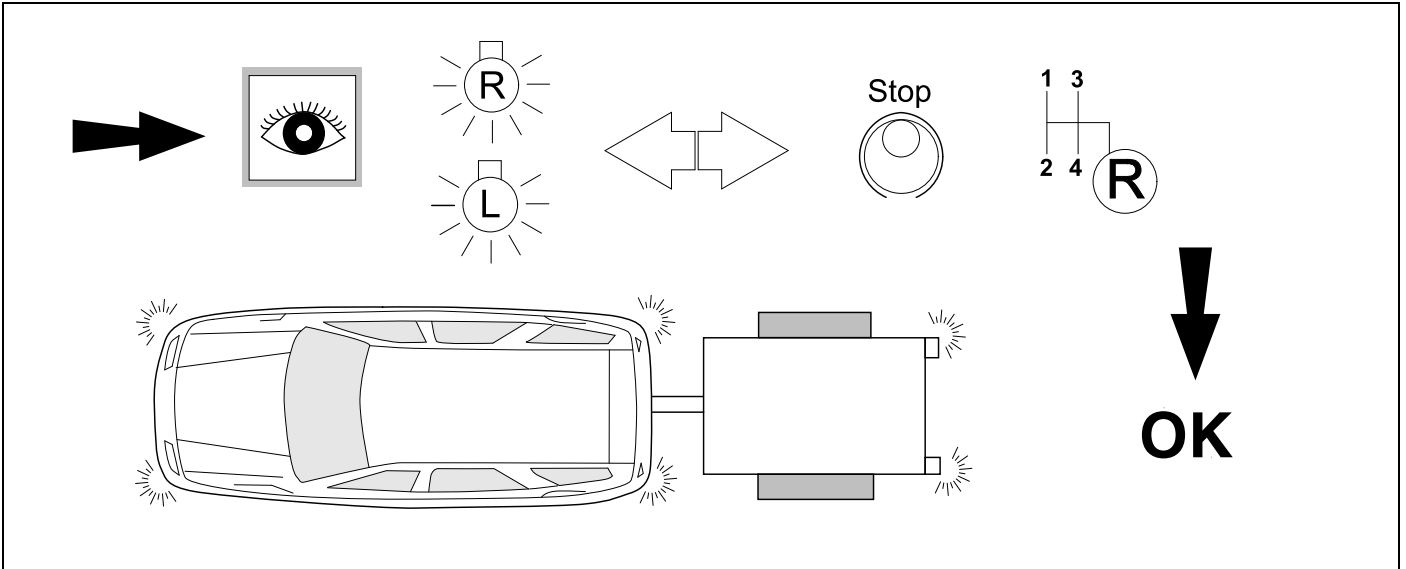
20A

18

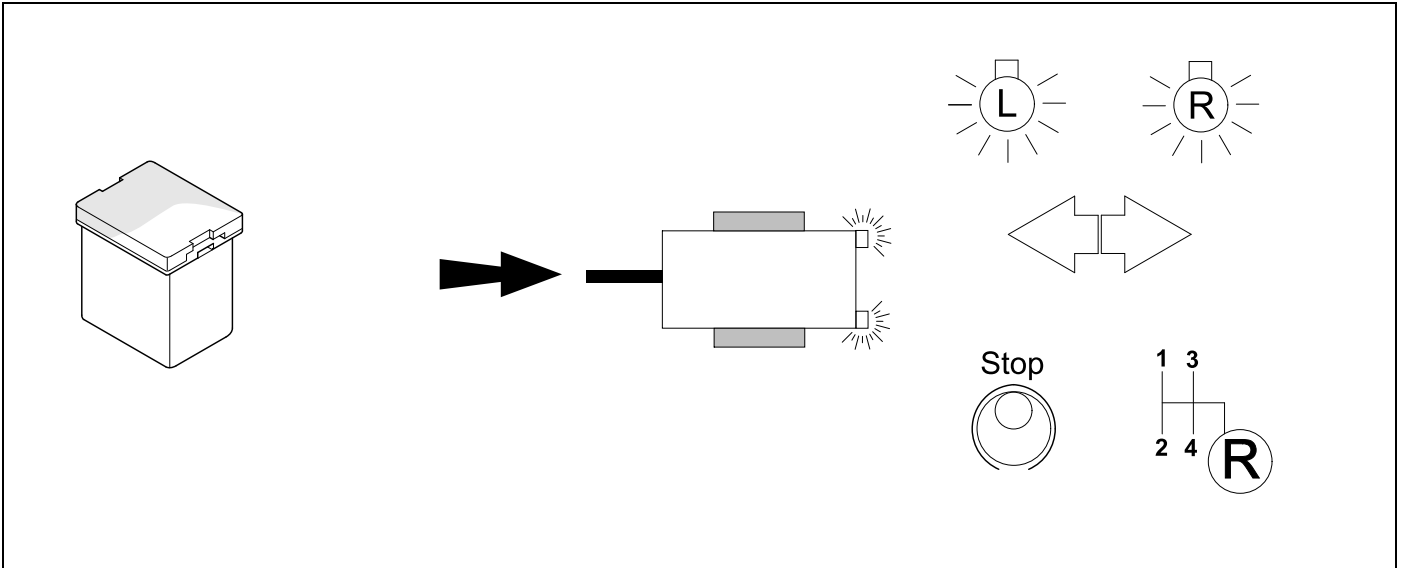


19

# CHECK ALL LIGHTING FUNCTIONS

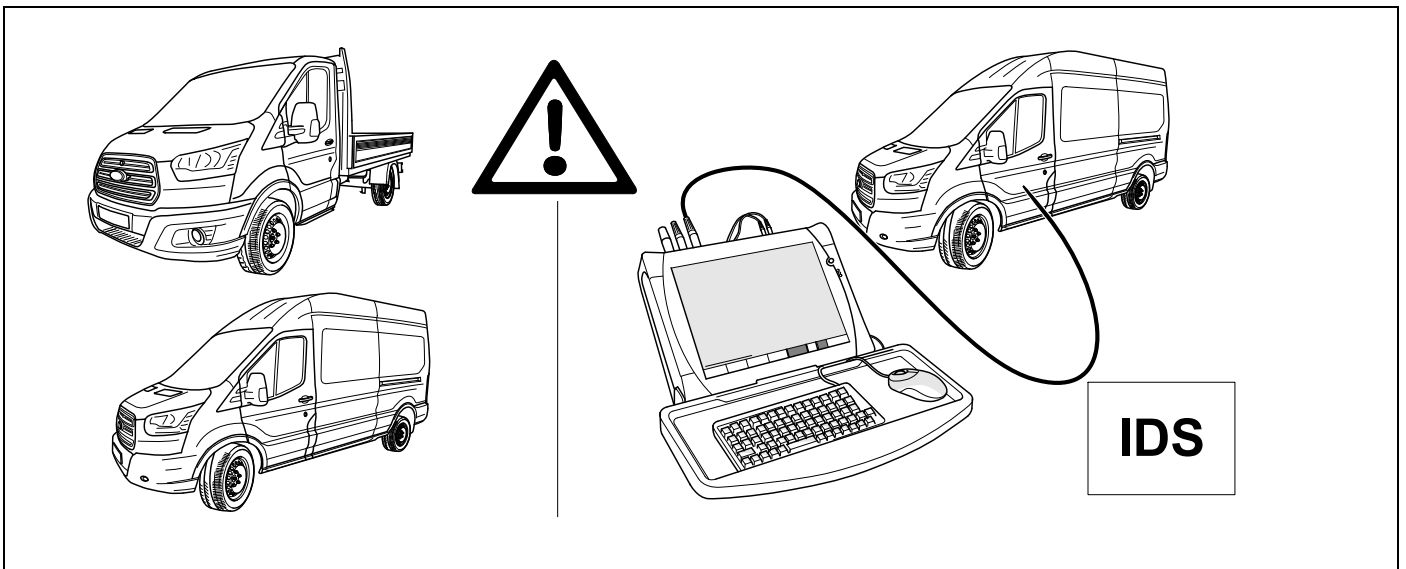


20



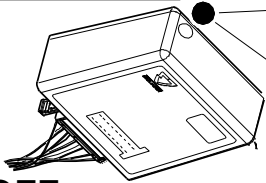
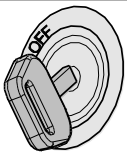
21

# CODING



# Status LED for self-diagnosis

## Operation Support



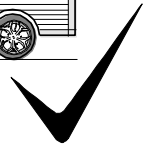
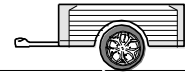
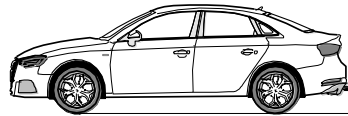
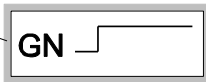
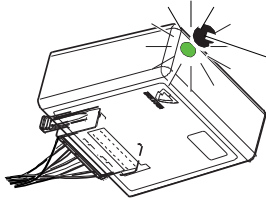
No CAN-Data =



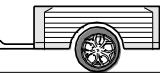
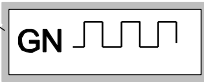
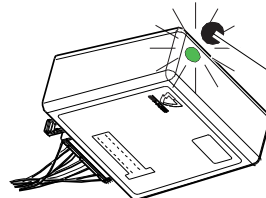
Standby / Sleepmode



Ignition OFF



Ignition ON



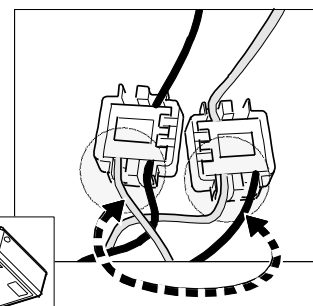
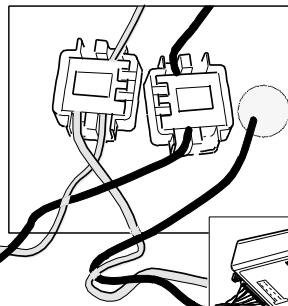
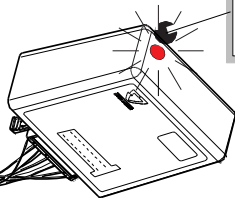
Ignition ON

## Failure Support

CAN-Data Wire

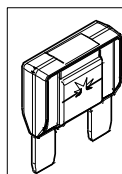
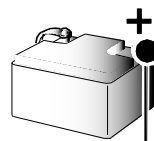
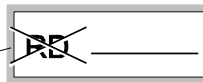
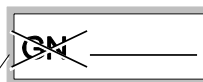
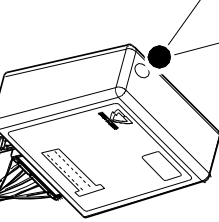
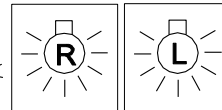


1x max. 5 min.

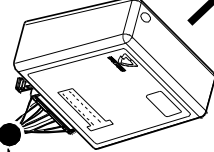
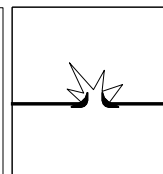
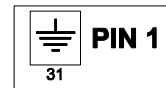


Ignition ON

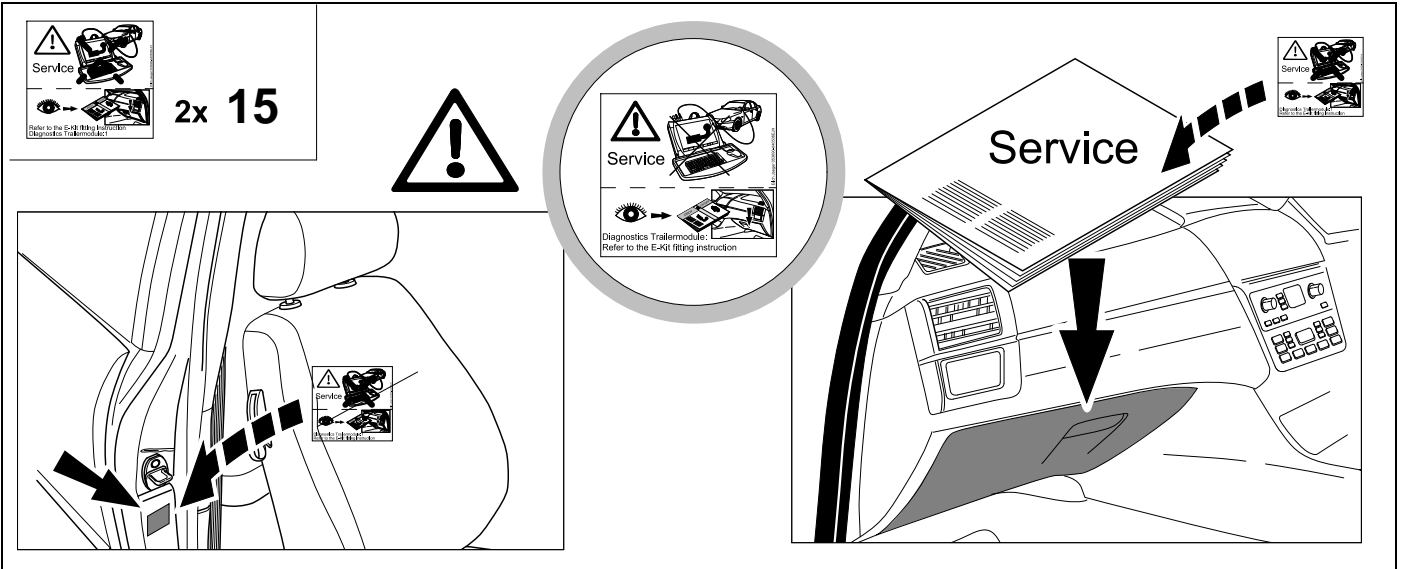
Failure indicated by the module LED glowing red for a maximum of 5 minutes. If trailer connected the tail lights will also glow indicating failure of CAN signal.



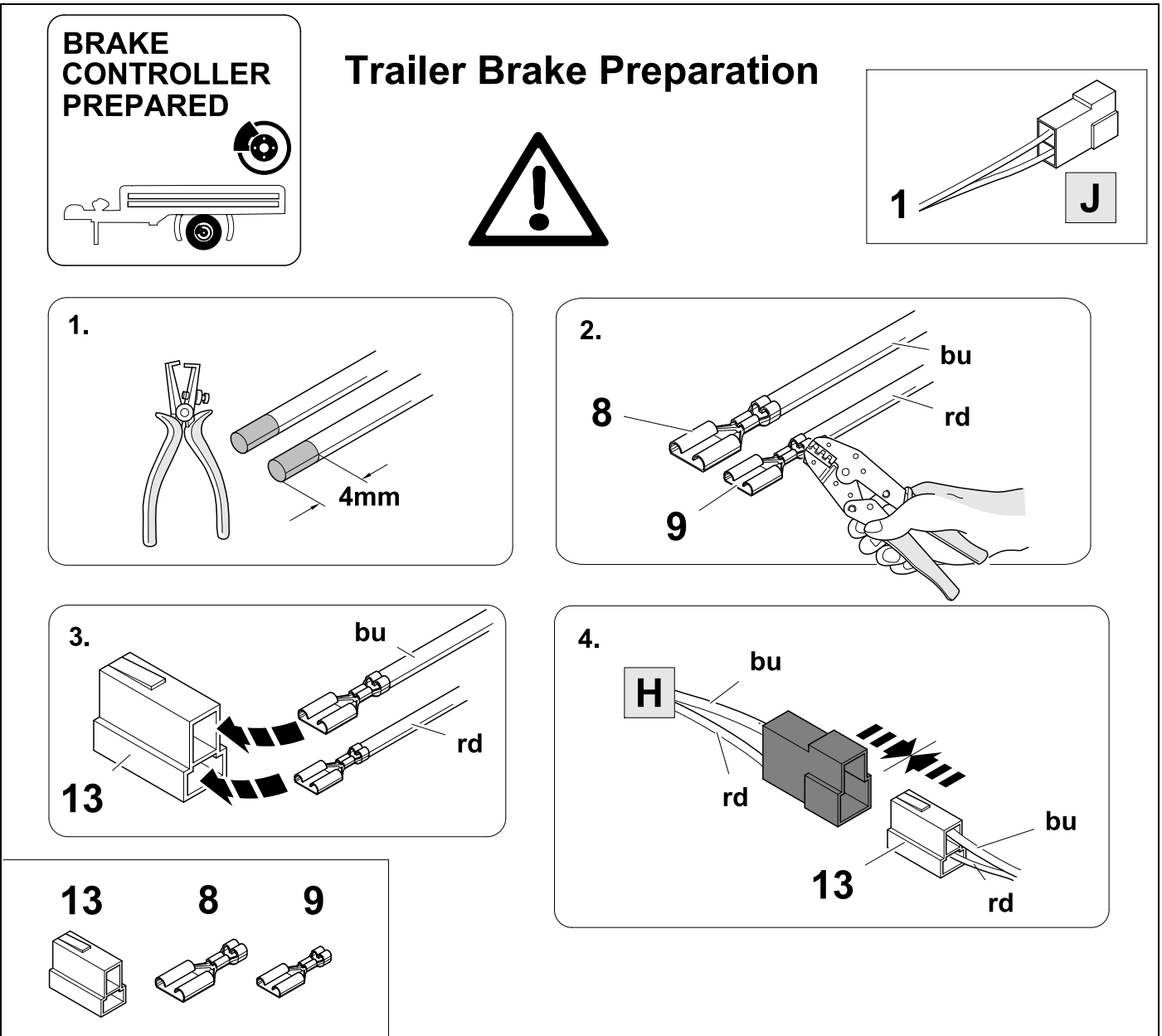
or



Ignition ON

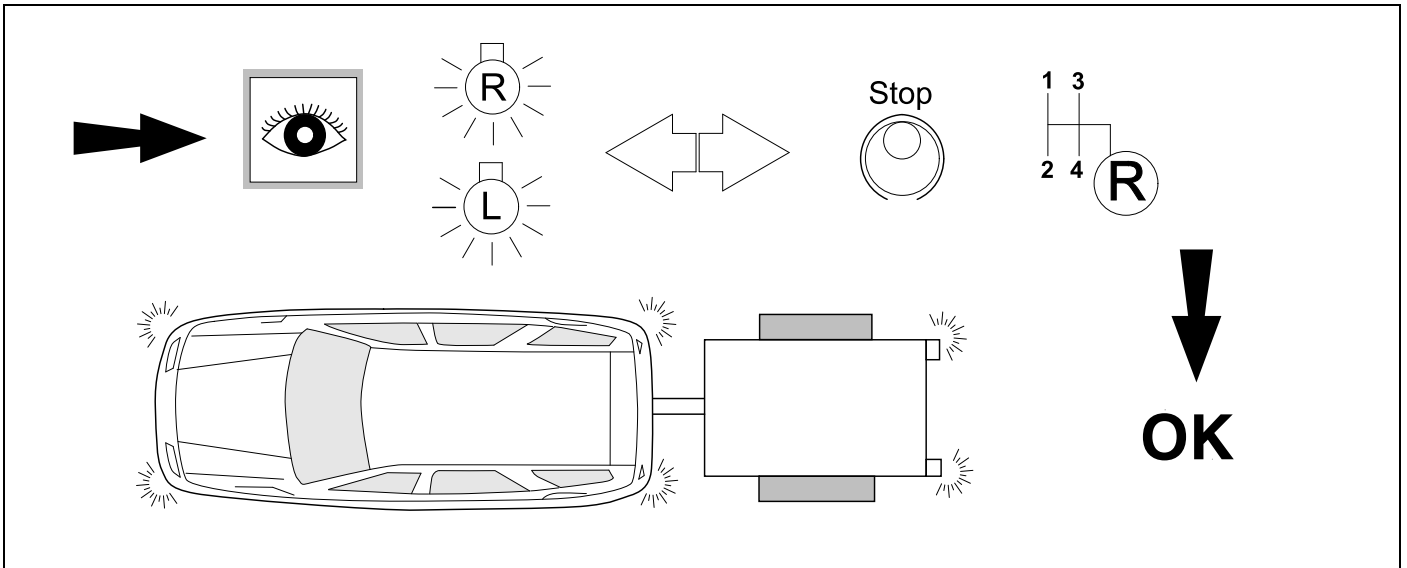


23 OPTIONAL



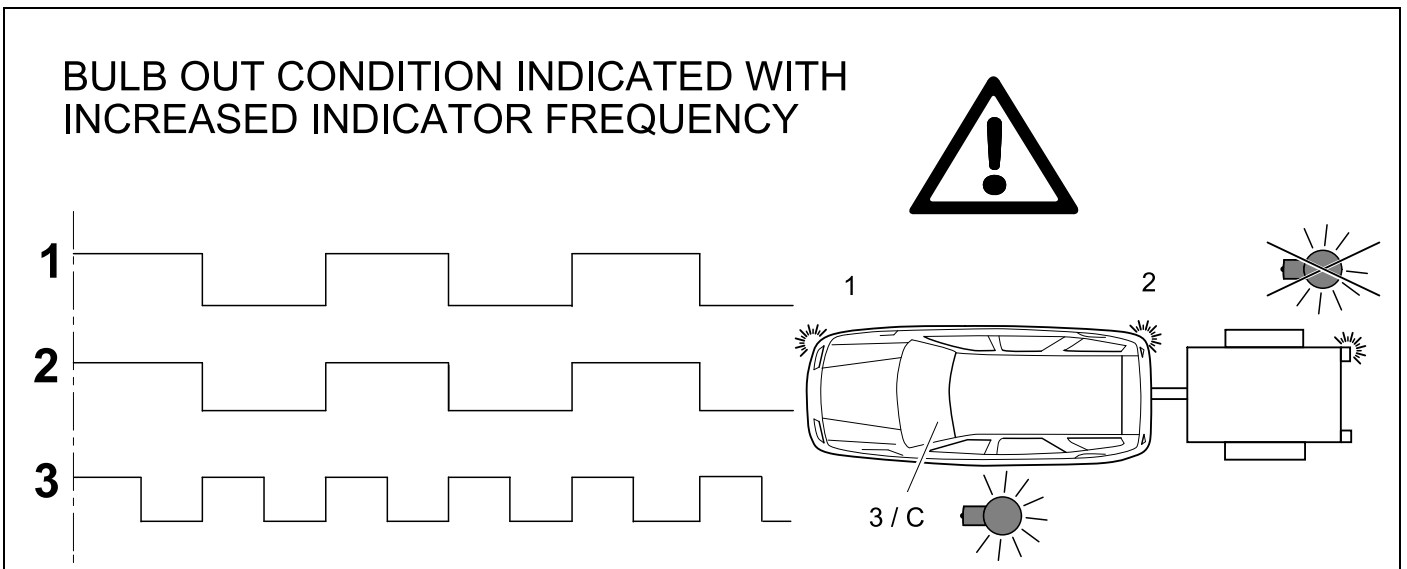
24

# CHECK ALL LIGHTING FUNCTIONS



25

# CHECK BULB OUT DETECTION

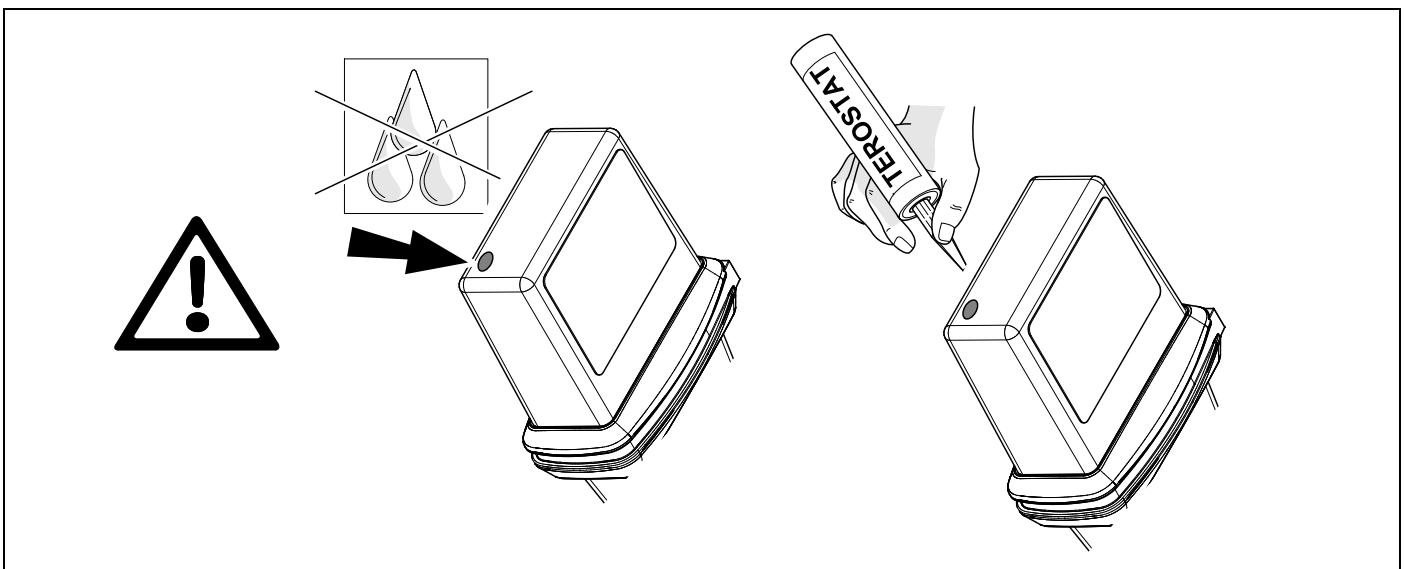


26

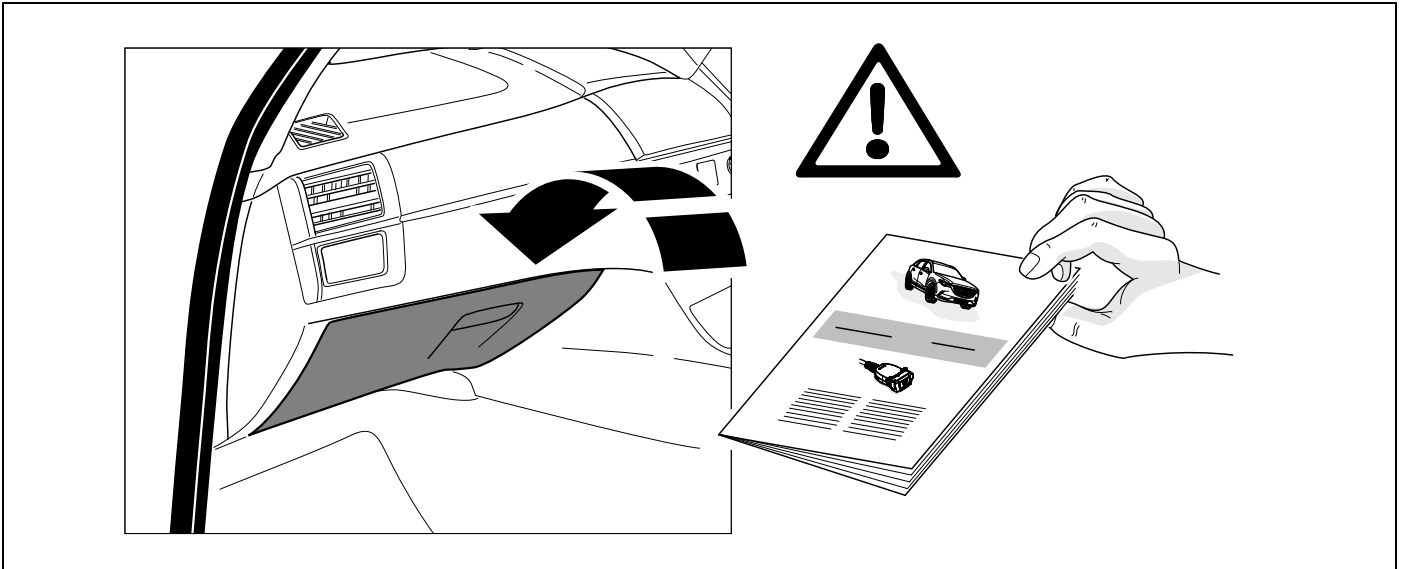
# Waterproof diagnostic hole after install



10







Subject to change in terms of construction, equipment and colour, and may contain errors.  
The information and illustrations are non-binding.

Scan this for our full E-Kit catalogue

