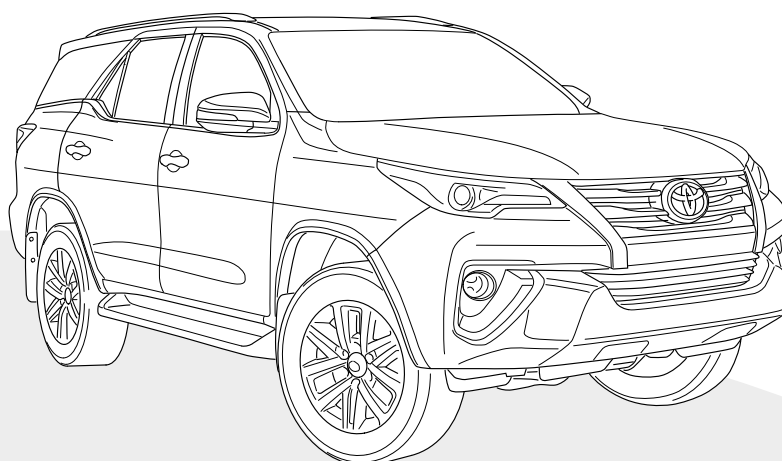
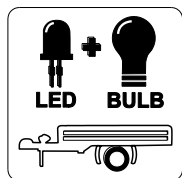




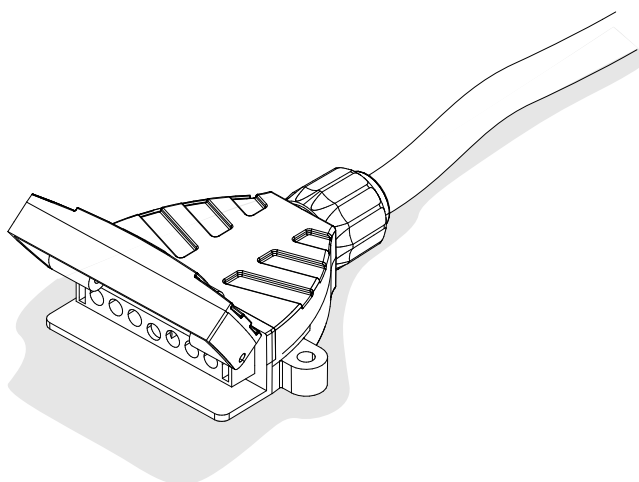
ERICH JAEGER



TOYOTA Fortuner

10/15 >>

750044



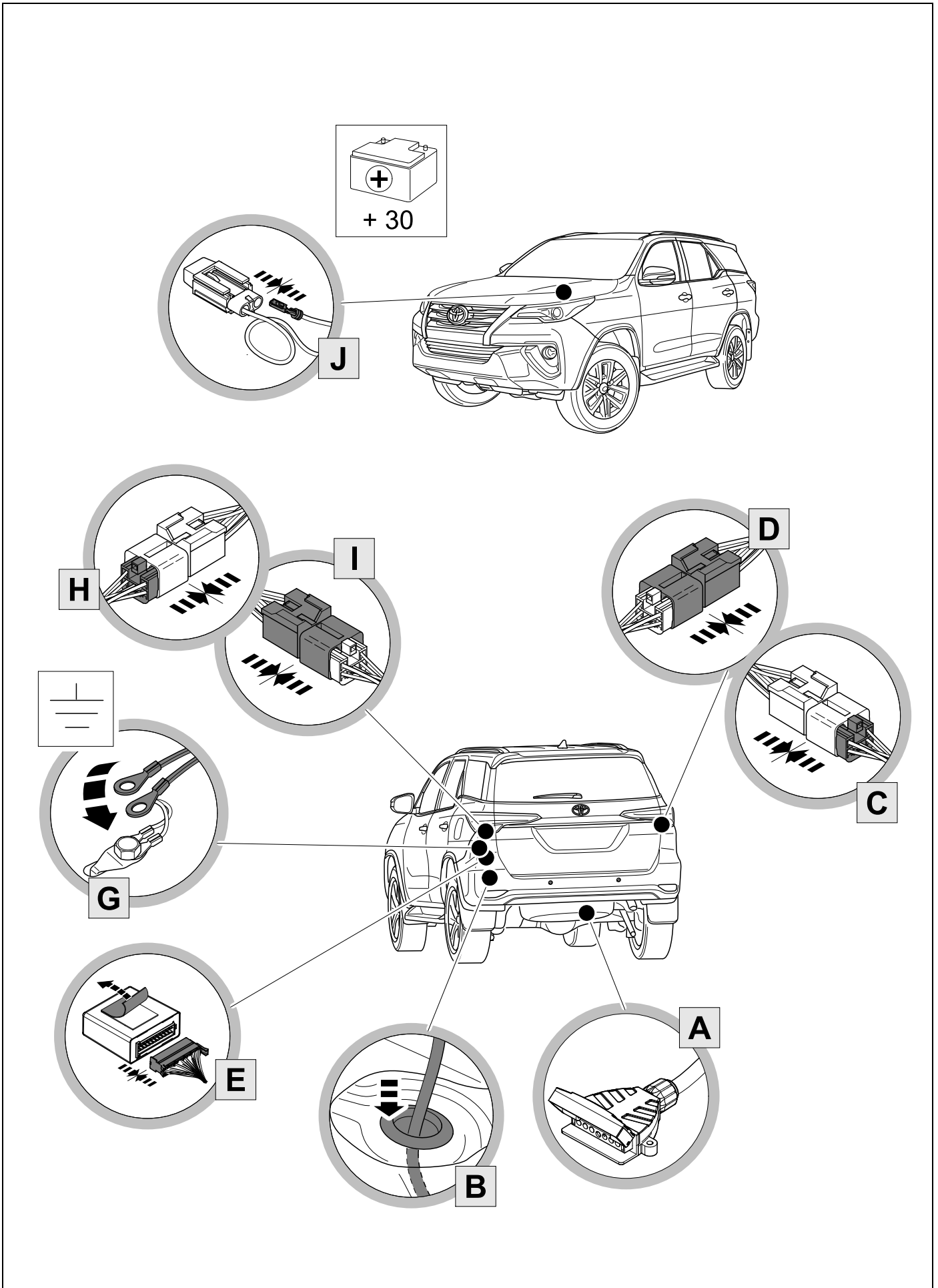
Installation instructions

Reference:

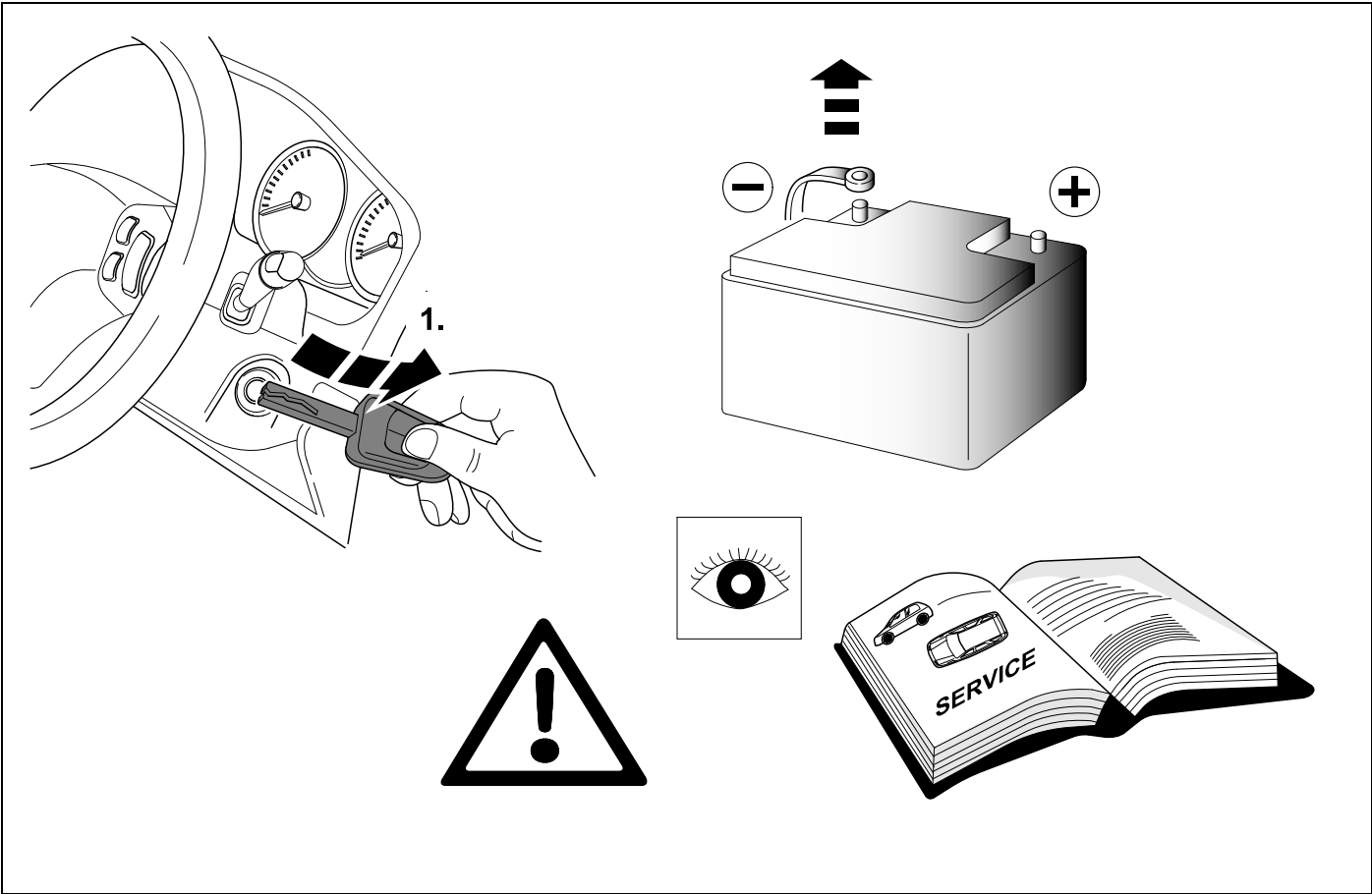
The following information must be reviewed before beginning the assembly:



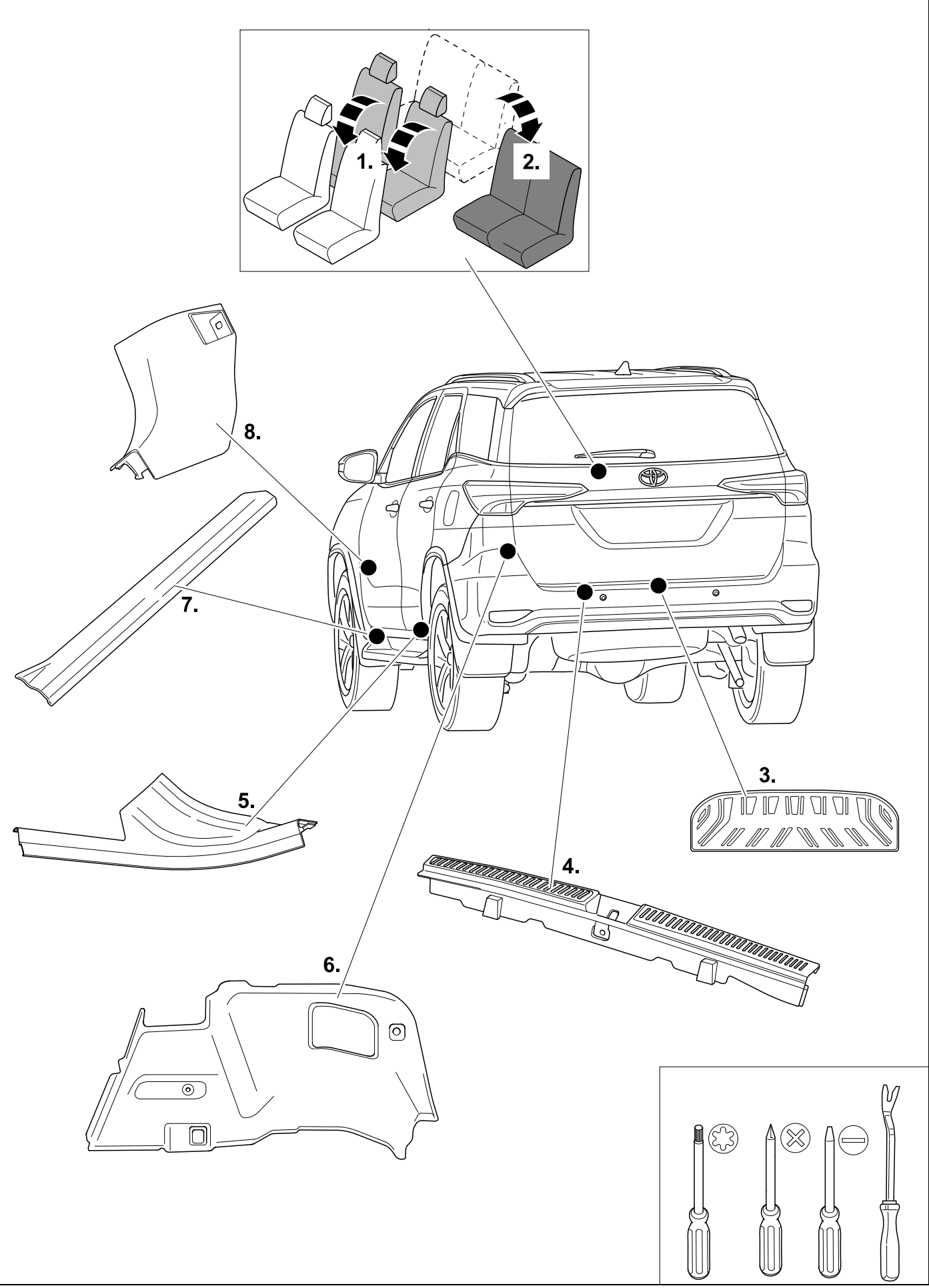
The installation instructions are to be thoroughly read.
The installation should be carried out by qualified personnel with the relevant technical knowledge.
The vehicle manufacturers' current technical notices and information on retrofitting must be followed.
The removal and replacement instructions found in the current repair manuals must be followed.
It must be ensured that the vehicle is technically suitable for the installation of a trailer hitch.



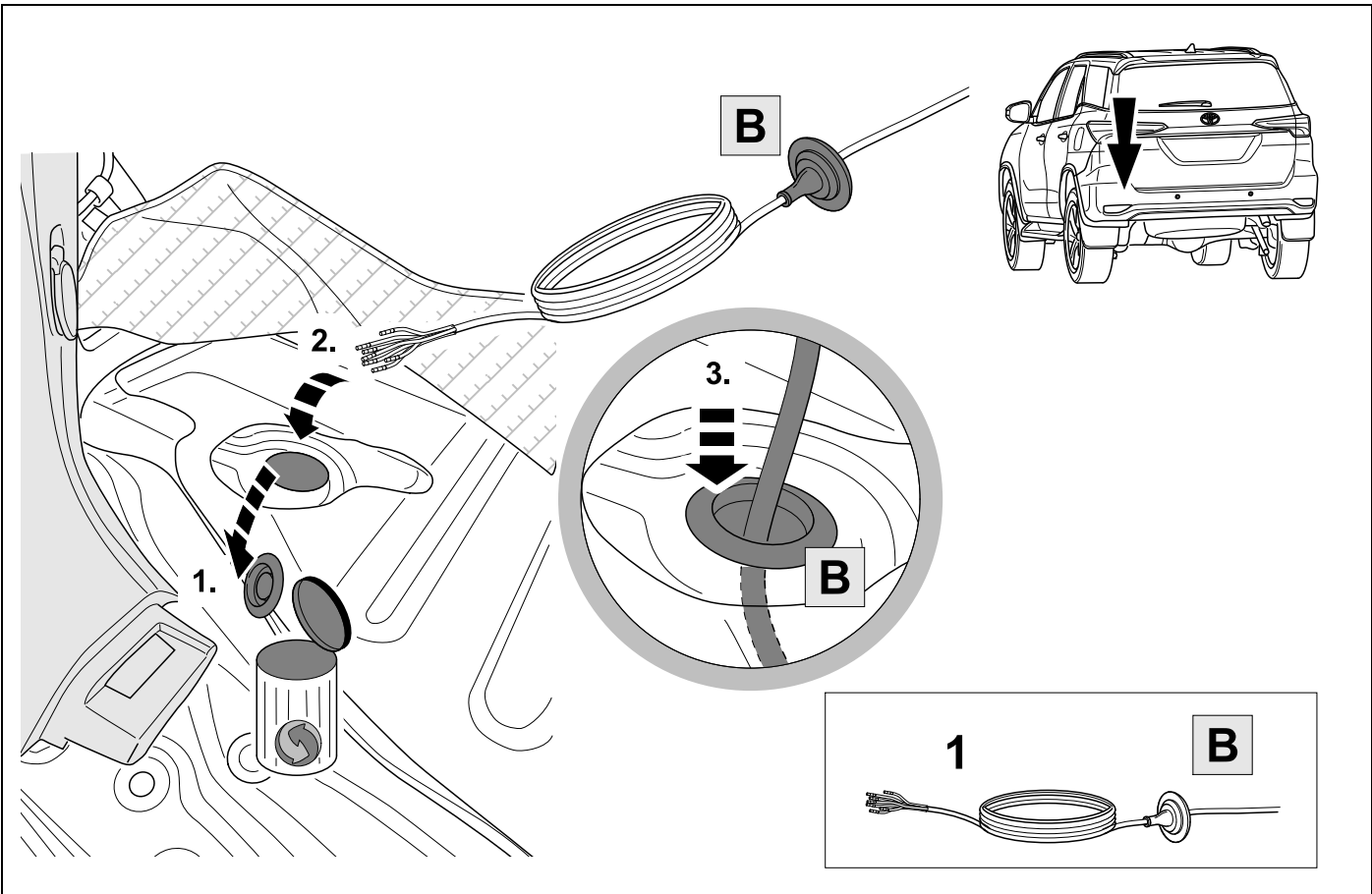
1



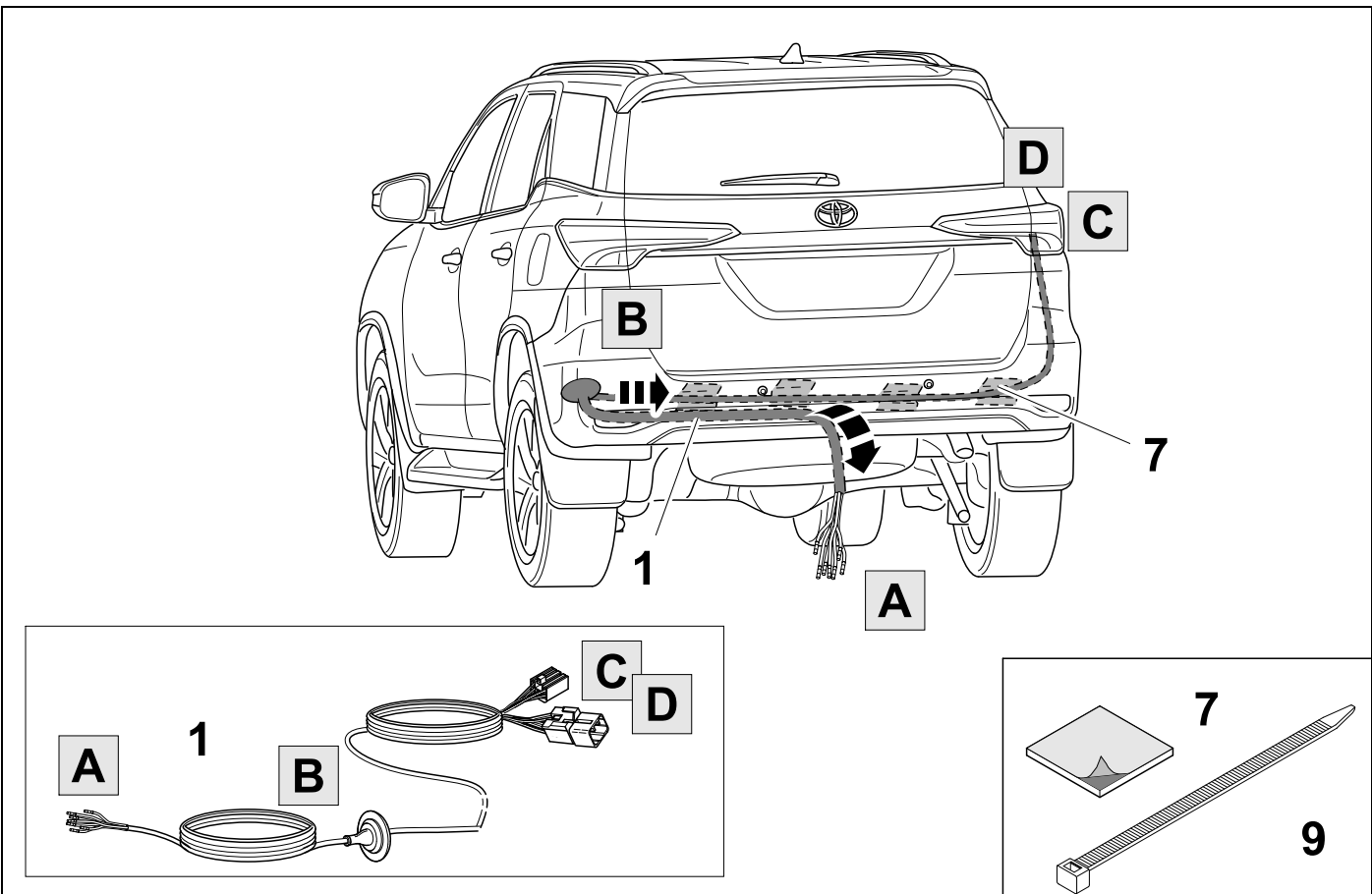
2 REMOVE



3



4



5



7

gn	4	
bn	7	
bk	2	
wh	3	
bu	5	
rd	6	
ye	1	

1.

2.

3.

4.

5.

6

1.

2.

7



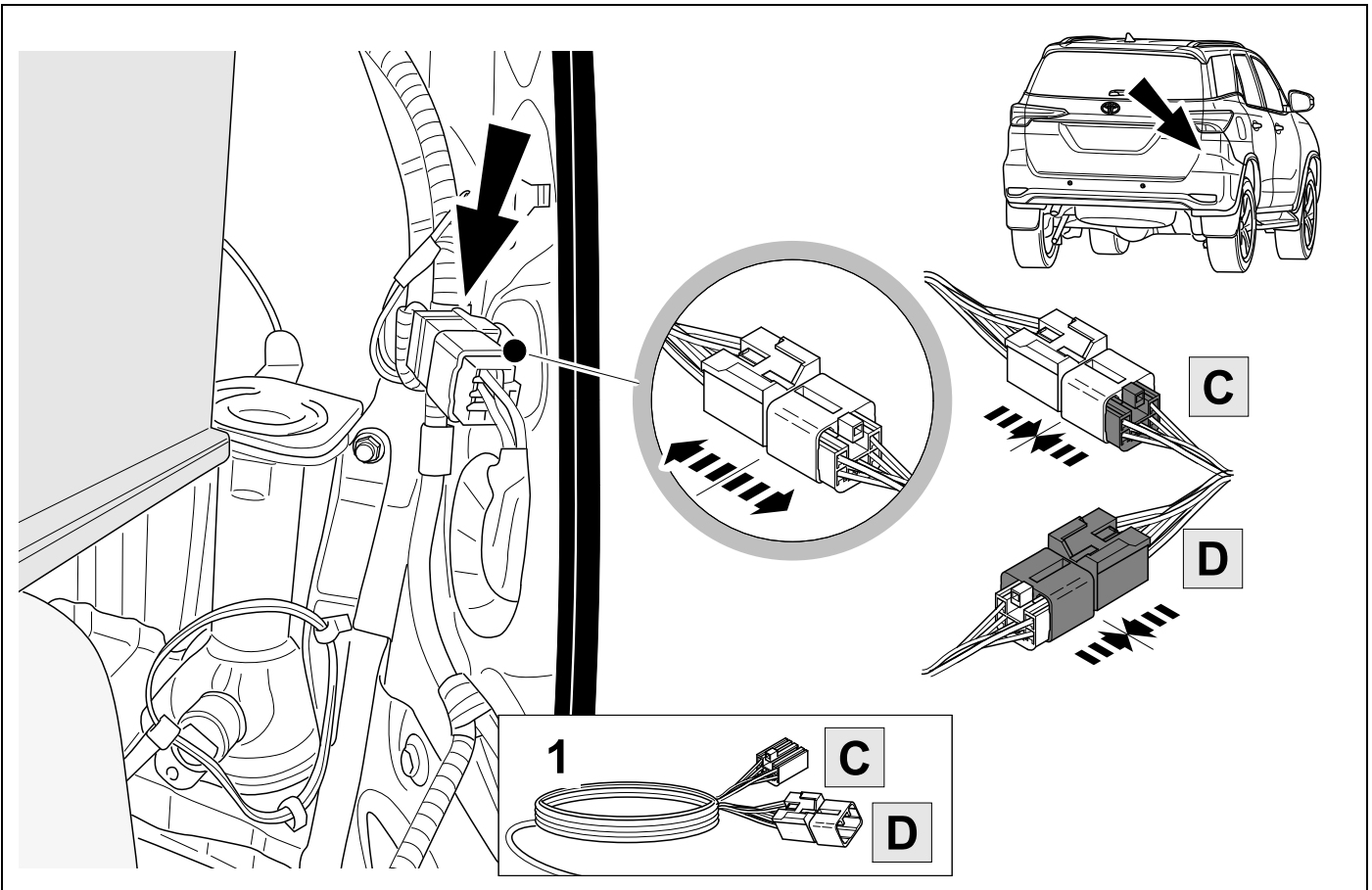
8

1	ye	
2	bk	
3	wh	
4	gn	
5	bu	
6	rd	
7	bn	

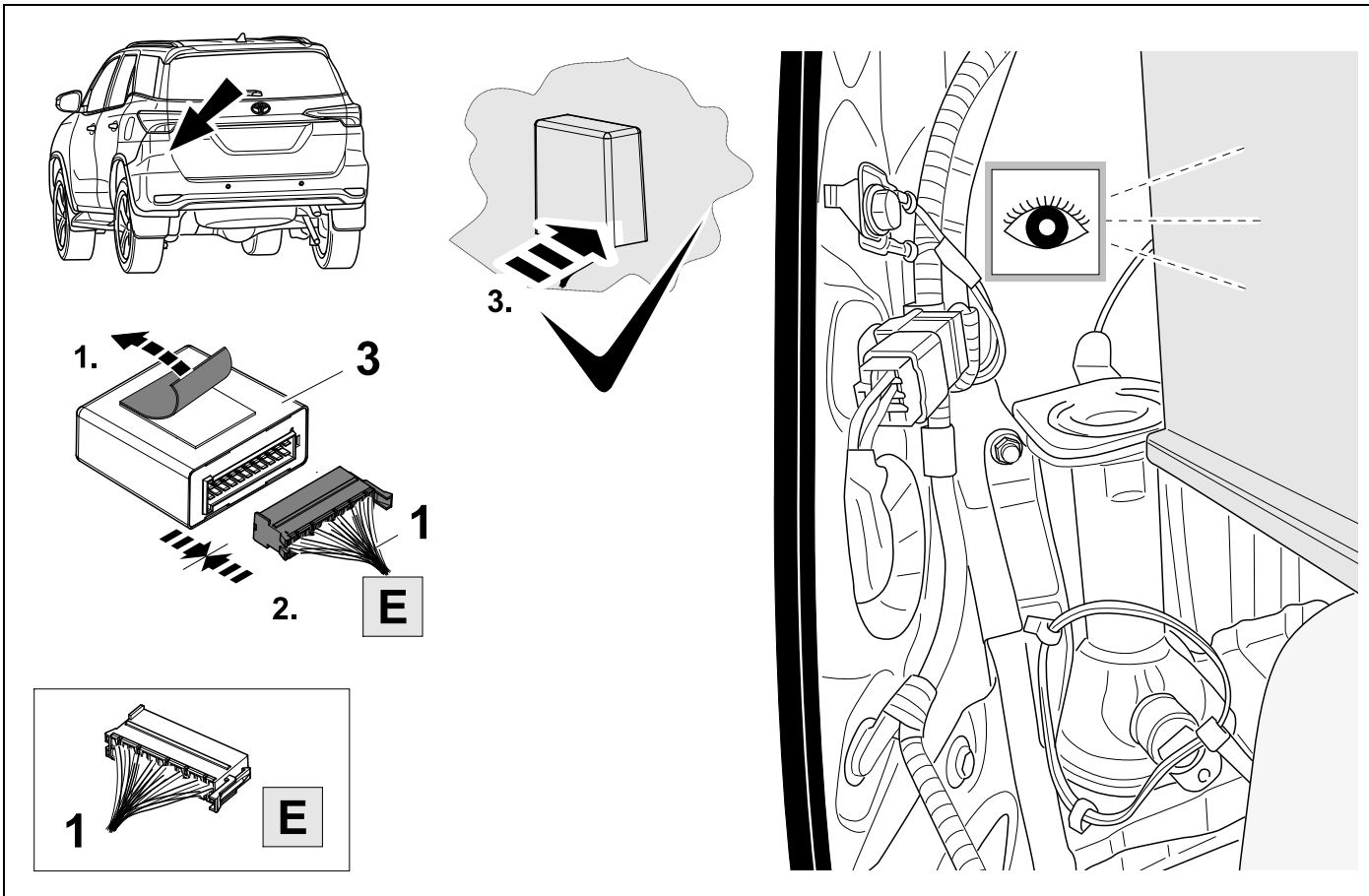
8	bk	wh	gy	gn	rd	bu	ye	bn	pu	or	no
---	----	----	----	----	----	----	----	----	----	----	----

	black	white	grey	green	red	blue	yellow	brown	purple	orange	not occupied
--	-------	-------	------	-------	-----	------	--------	-------	--------	--------	--------------

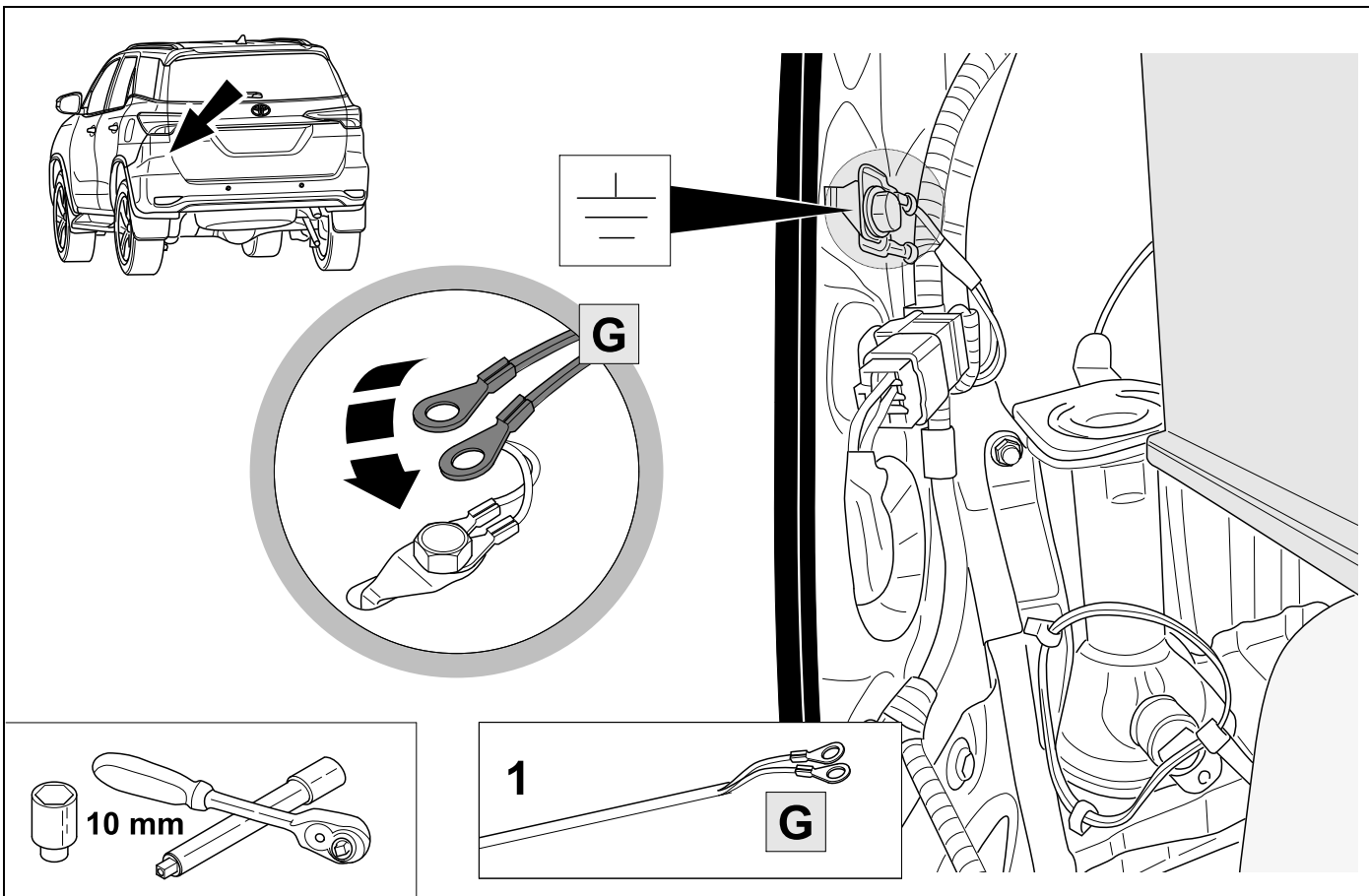
9



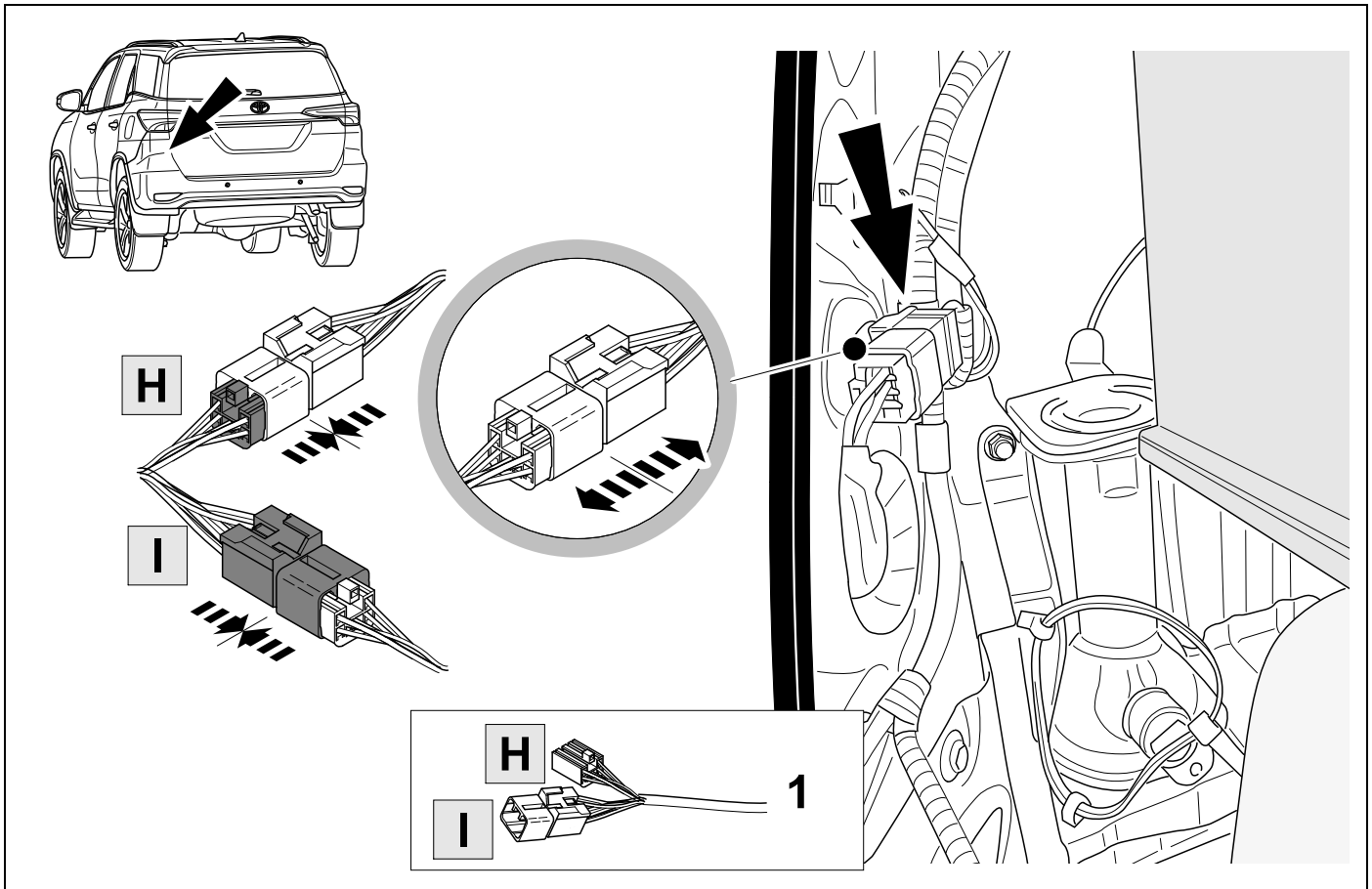
10



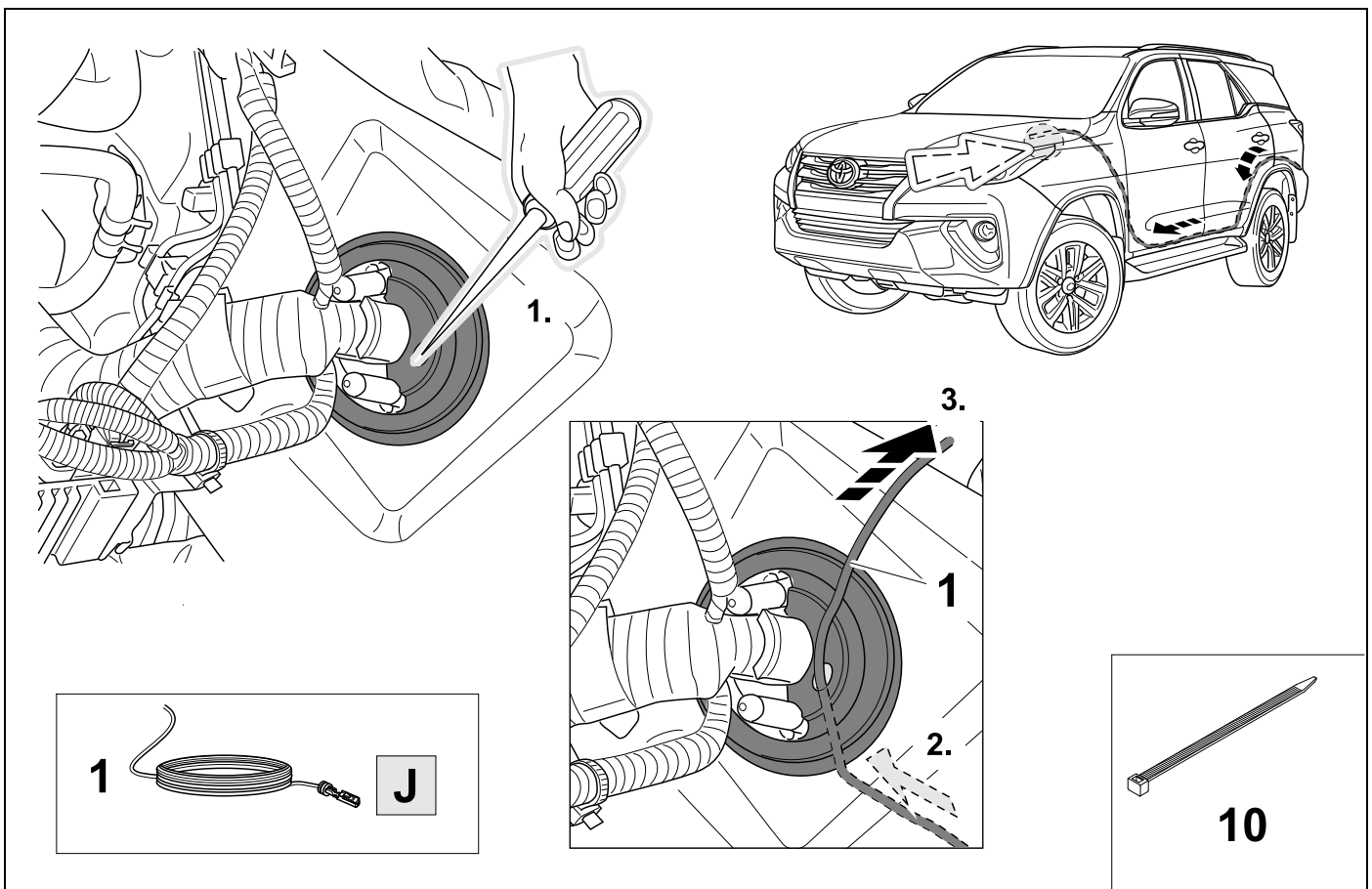
11



12



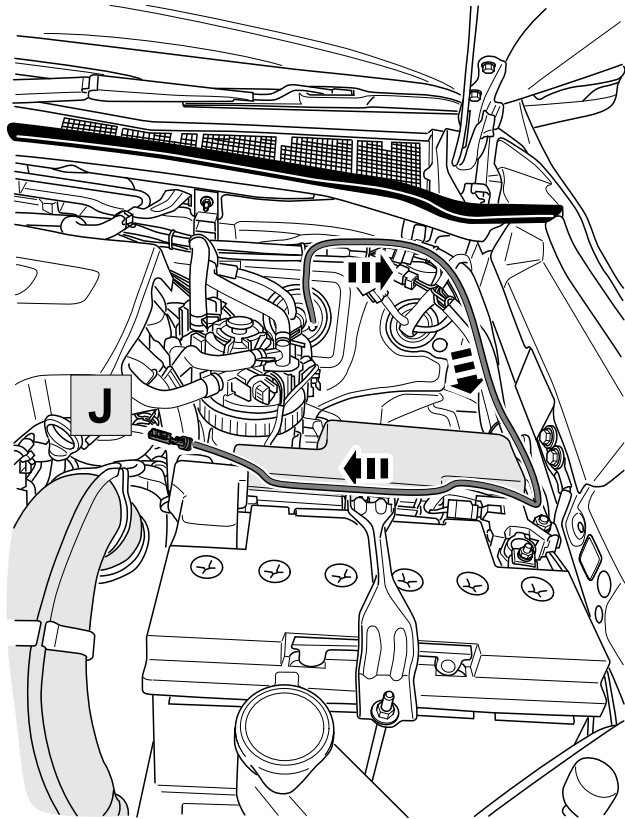
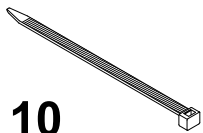
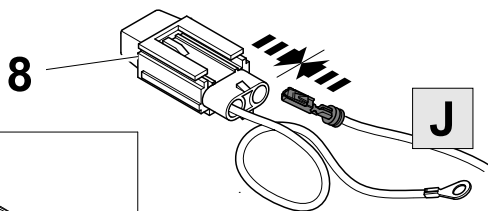
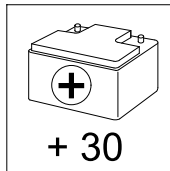
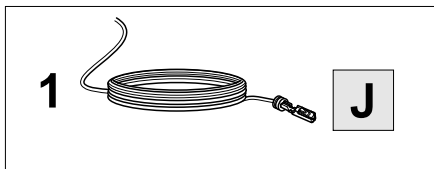
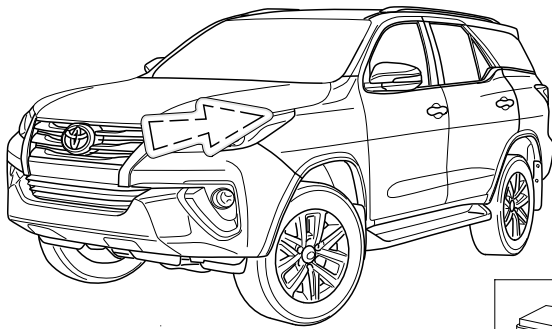
13



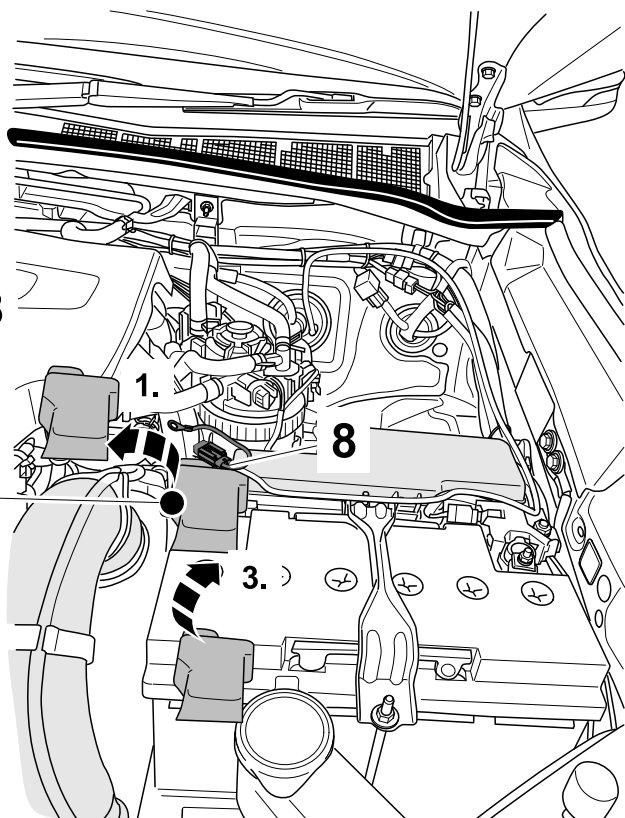
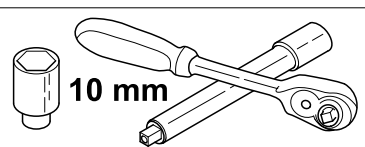
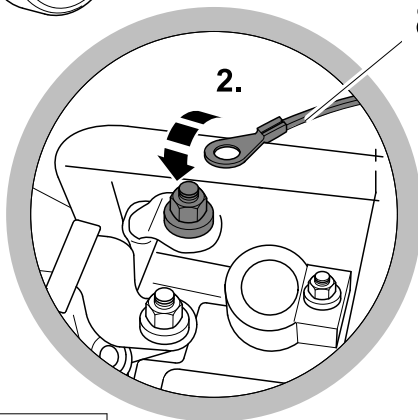
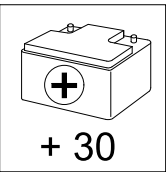
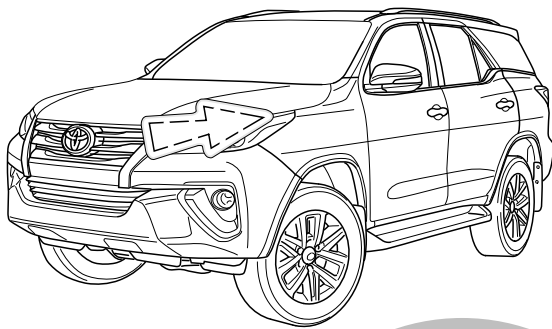
14



20

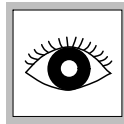
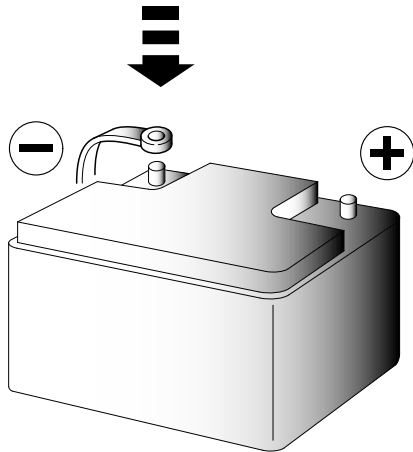
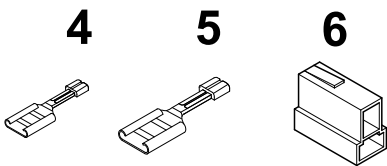
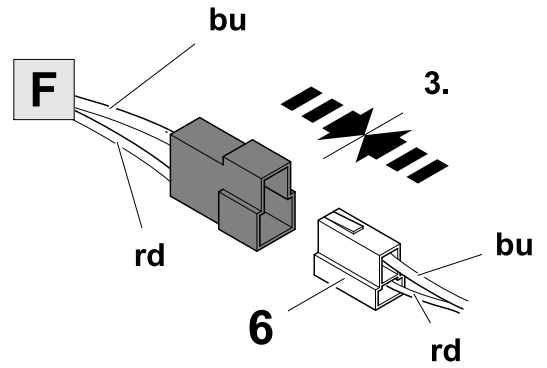
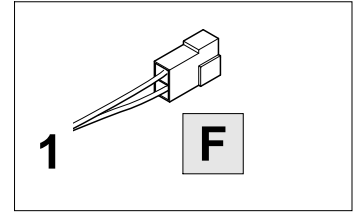
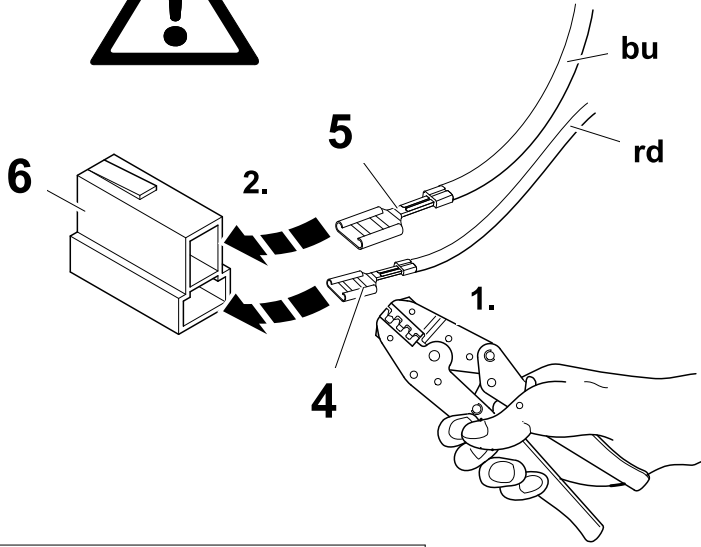


15



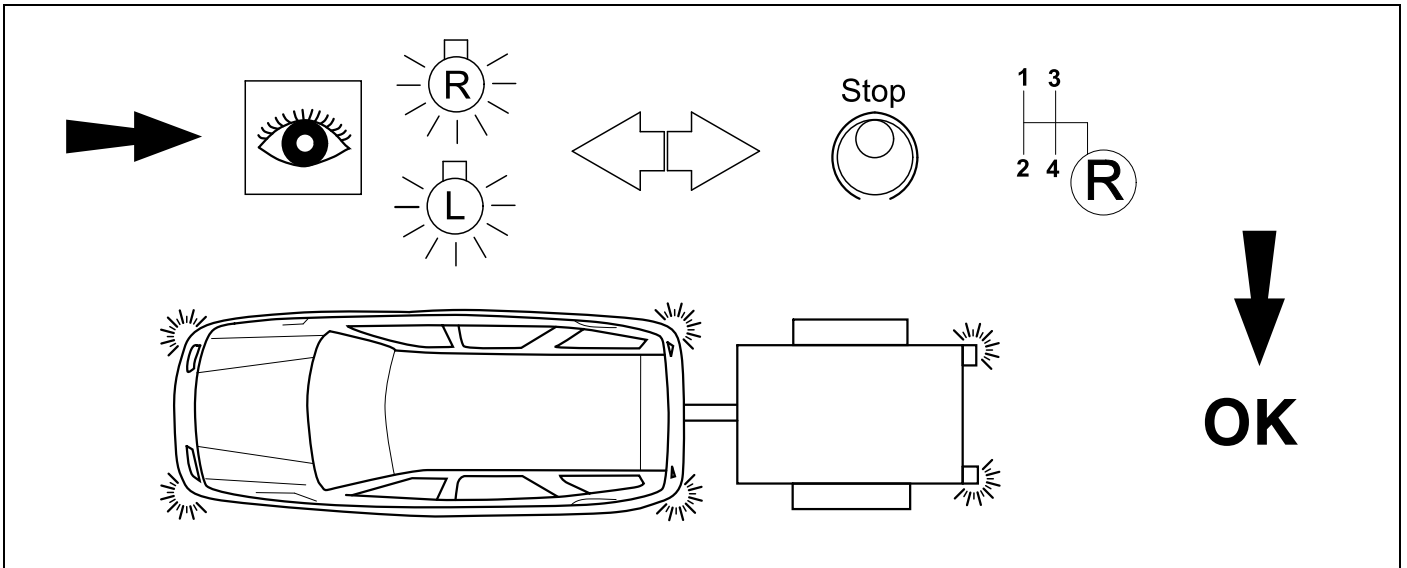


Trailer Brake Preparation



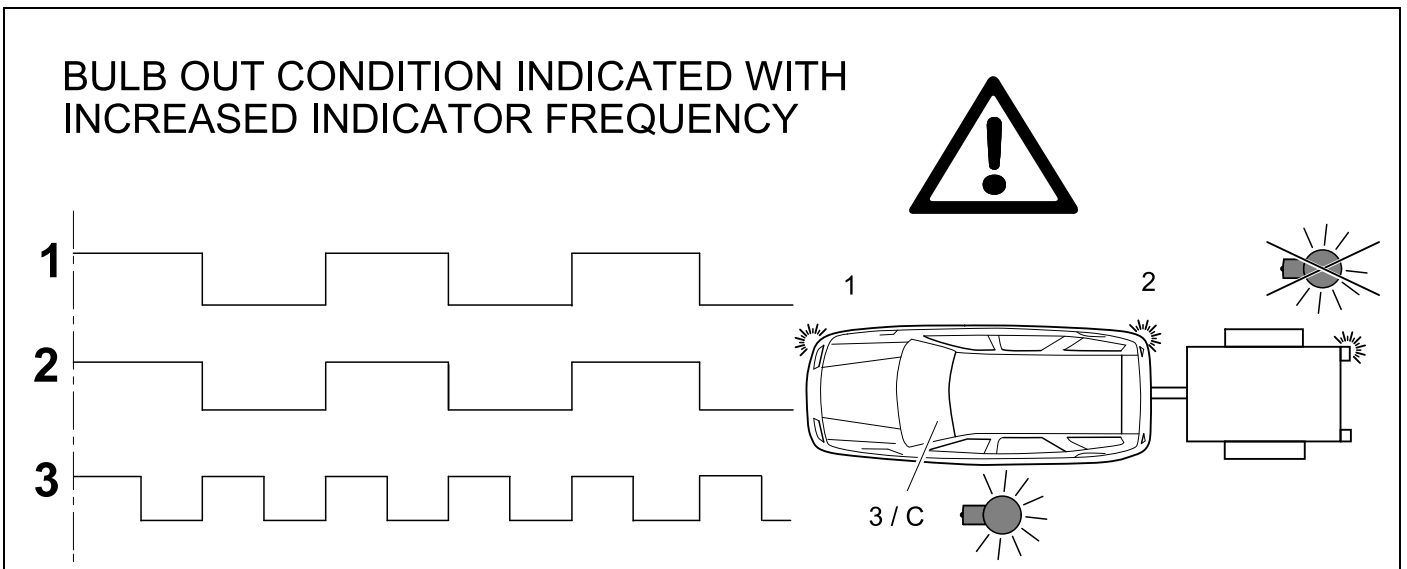
18

CHECK ALL LIGHTING FUNCTIONS



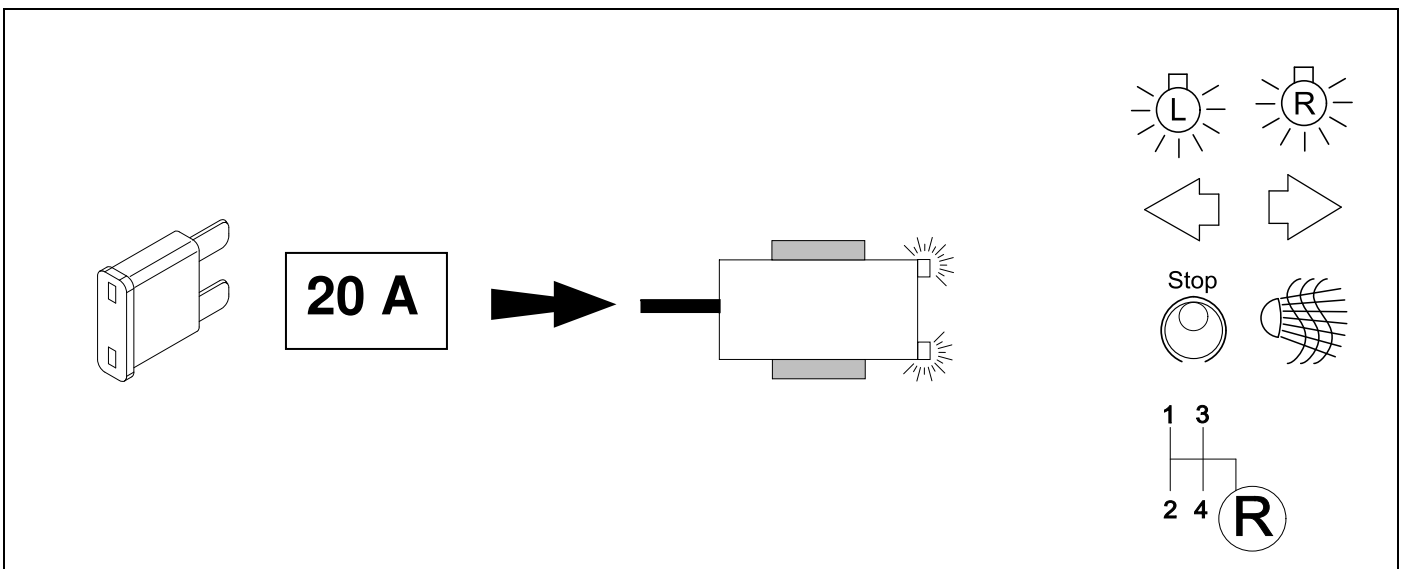
19

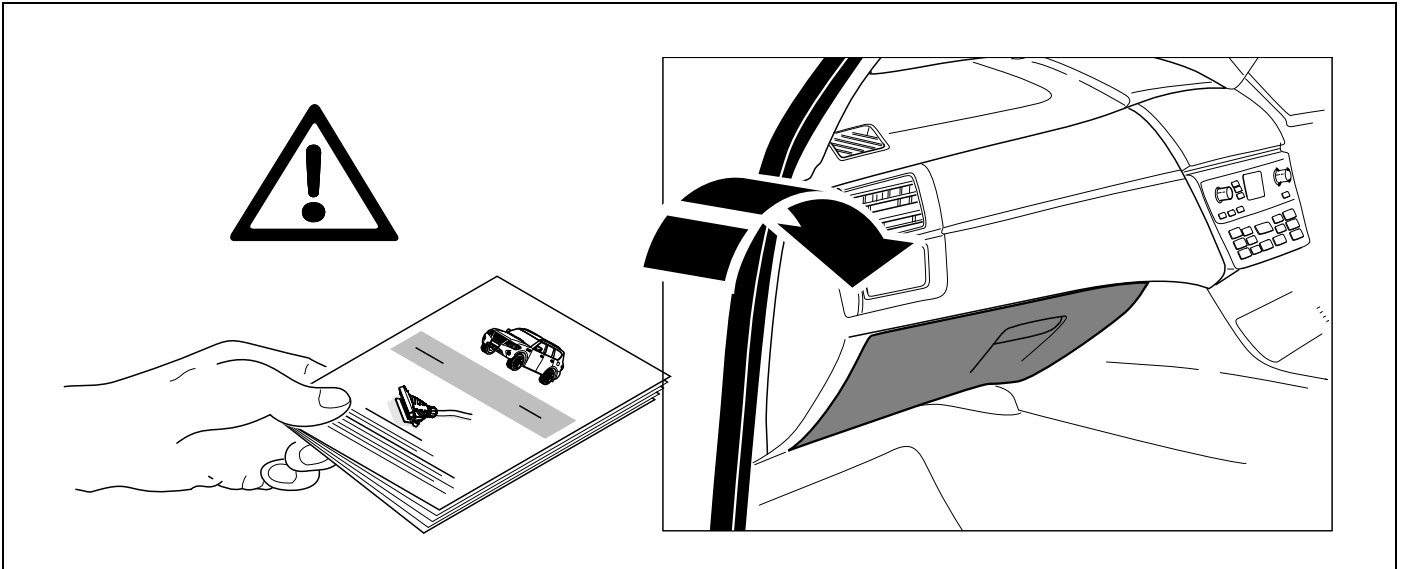
CHECK BULB OUT DETECTION



20

👁️ ⇒ 14





Subject to change in terms of construction, equipment and colour, and may contain errors.
The information and illustrations are non-binding.

Scan this for our full E-Kit catalogue

