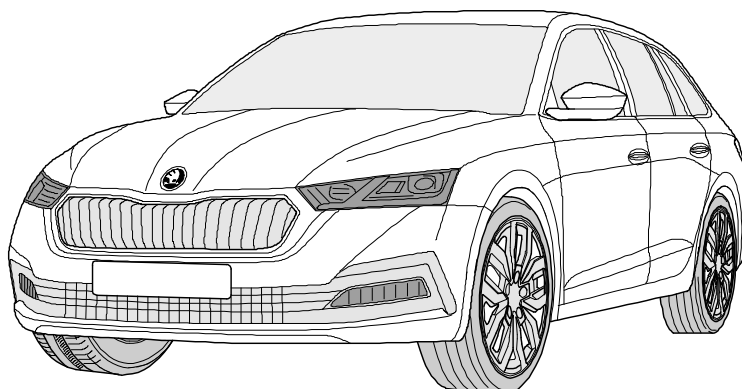




ERICH JAEGER

Installation instructions



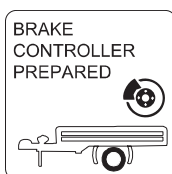
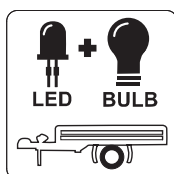
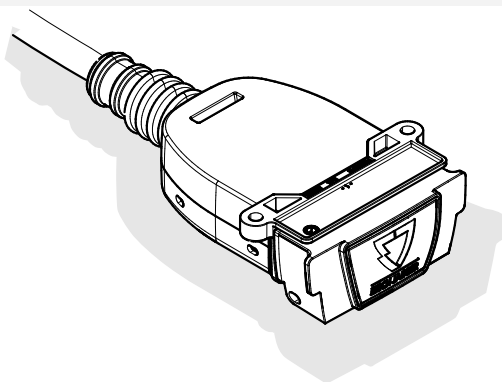
750071

SKODA Octavia 4

01/20 >>

SKODA Octavia 4 Combi

01/20 >>



Reference:

The following information must be reviewed before beginning the assembly:

The installation instructions are to be thoroughly read.

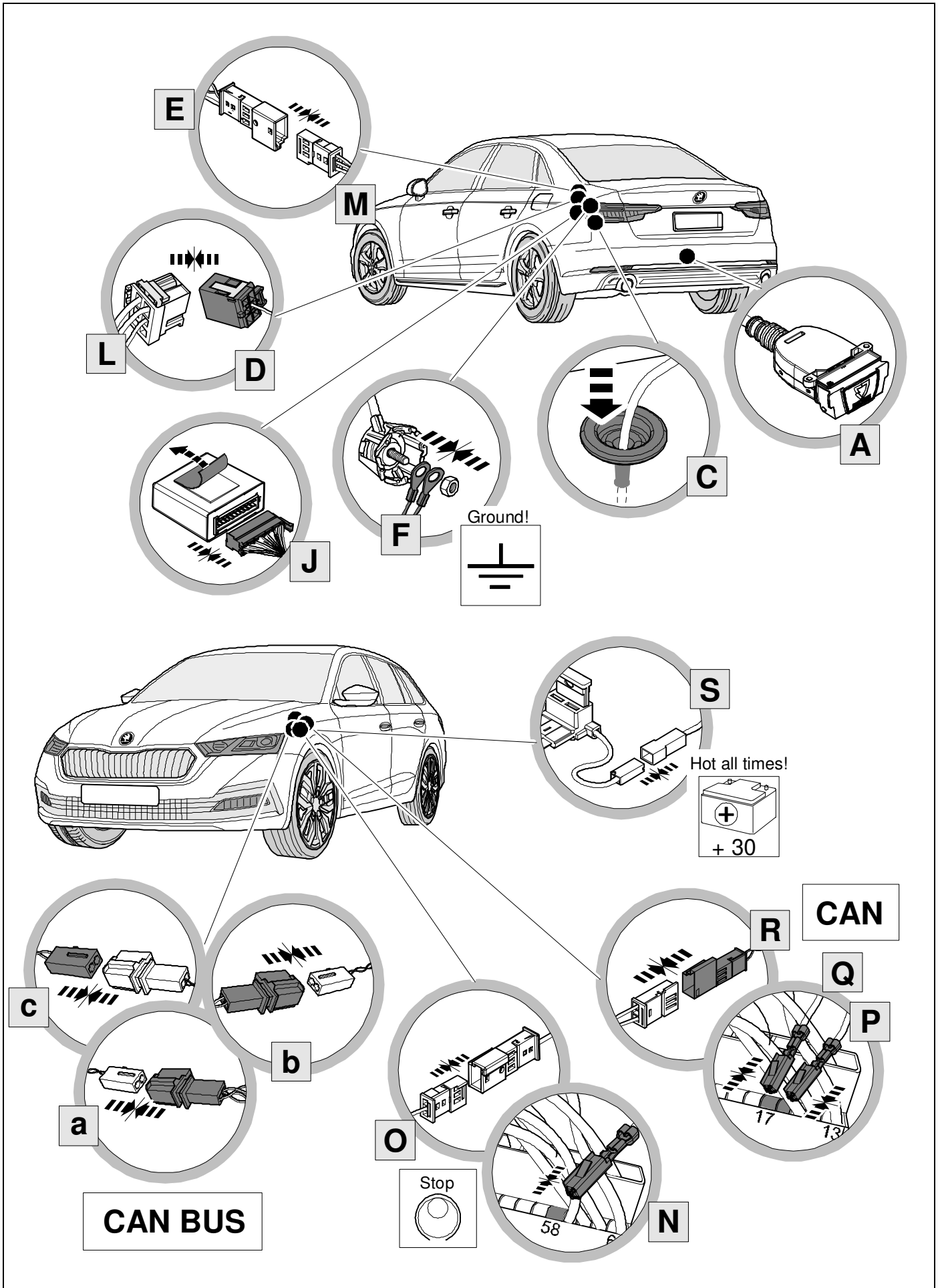
The installation should be carried out by qualified personnel with the relevant technical knowledge.

The vehicle manufacturers' current technical notices and information on retrofitting must be followed.

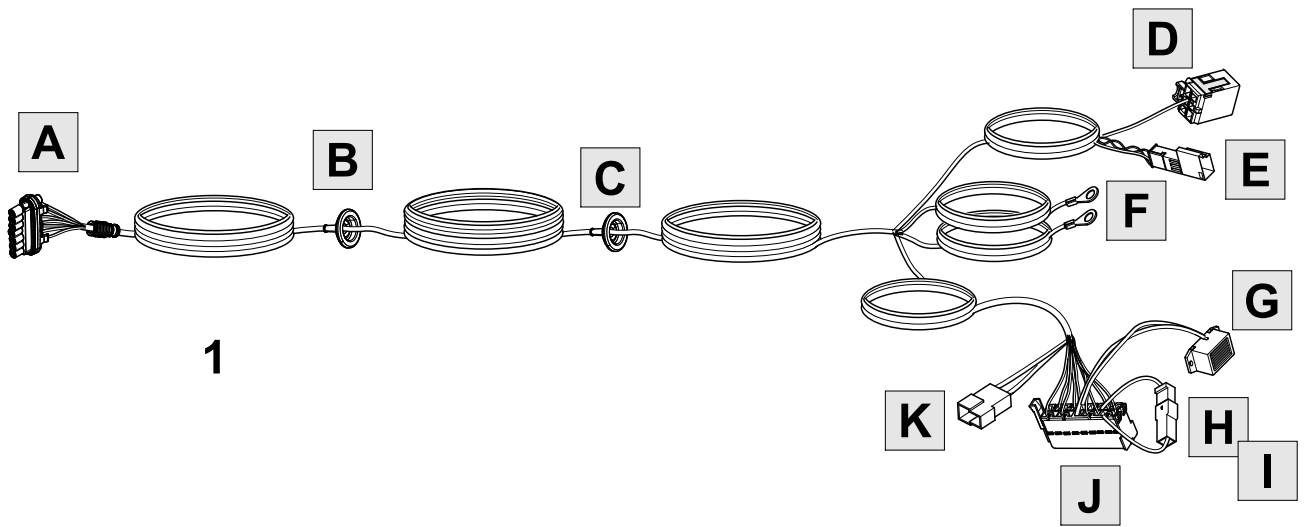
The removal and replacement instructions found in the current repair manuals must be followed.

It must be ensured that the vehicle is technically suitable for the installation of a trailer hitch.

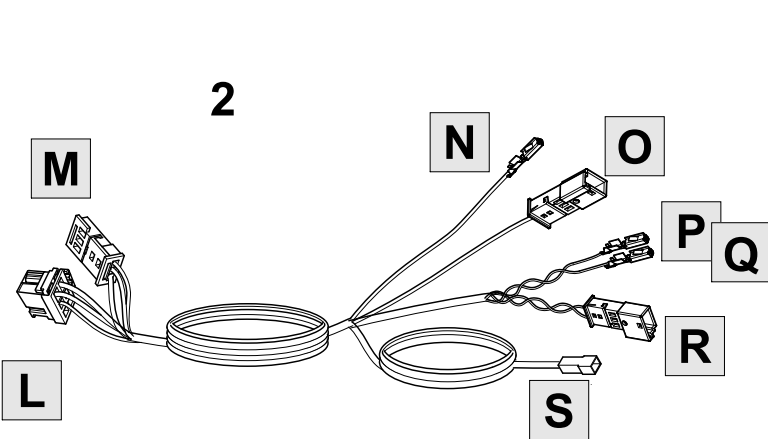
OVERVIEW



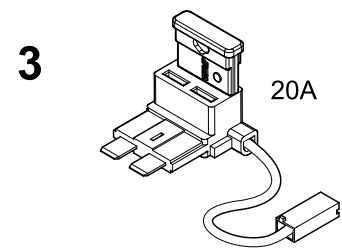
KIT



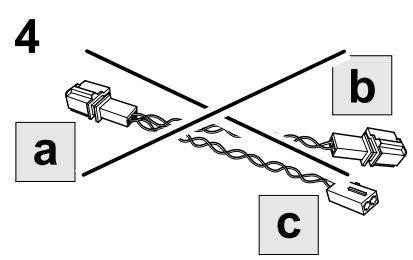
1



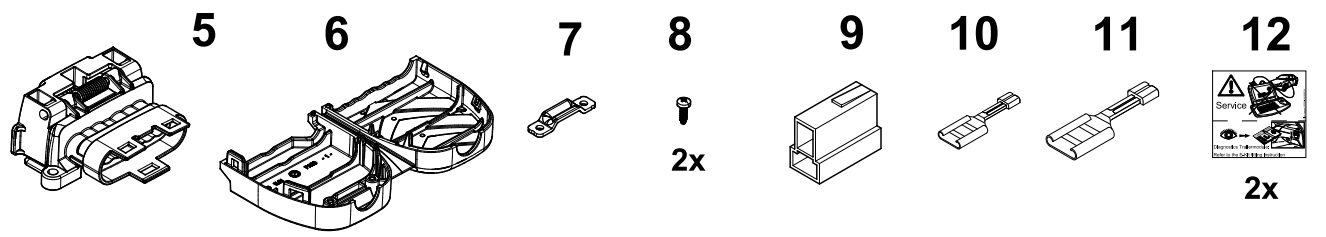
2



3



4



5

6

7

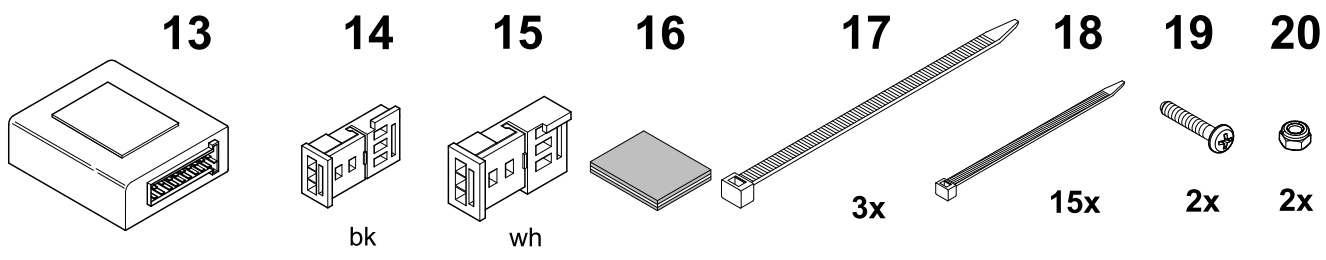
8

9

10

11

12



13

14

15

16

17

18

19

20

bk

wh

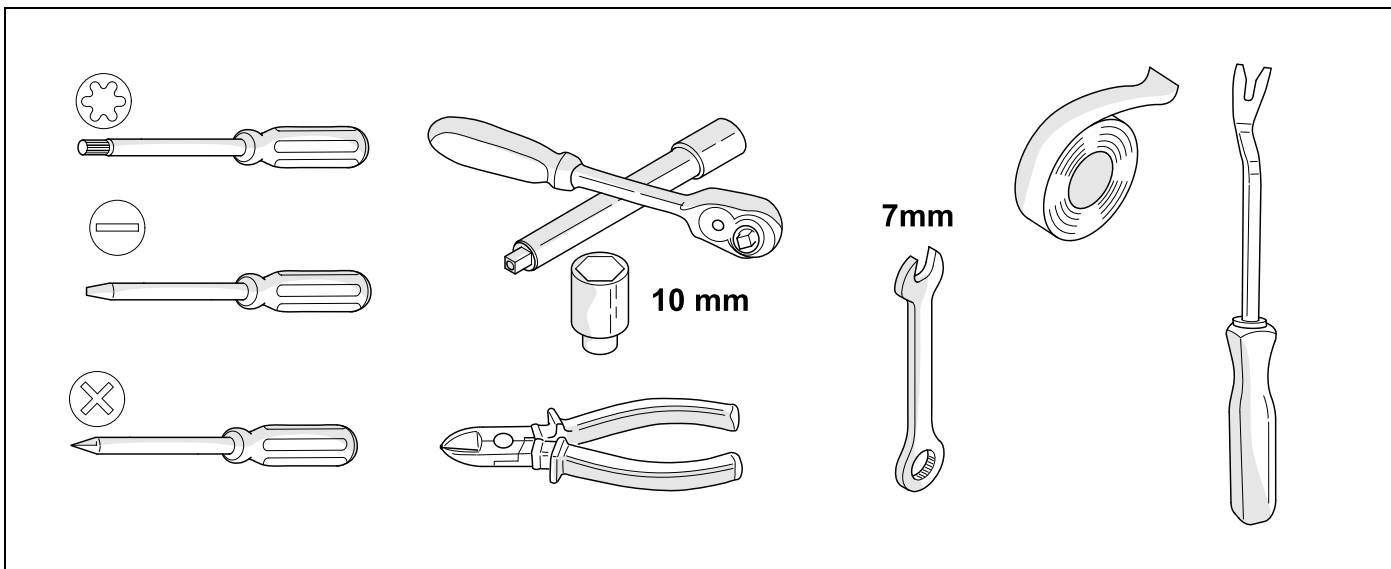
3x

15x

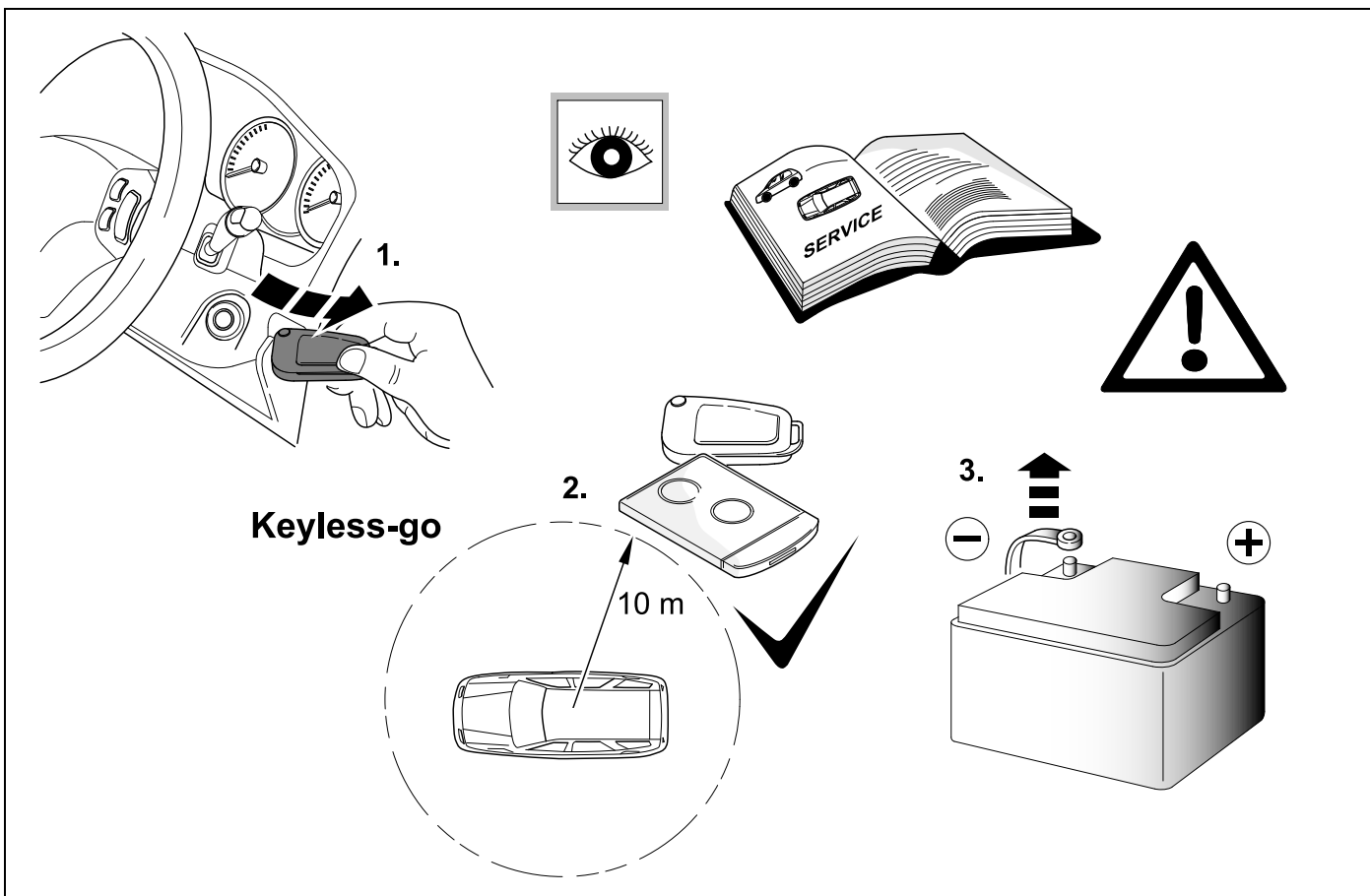
2x

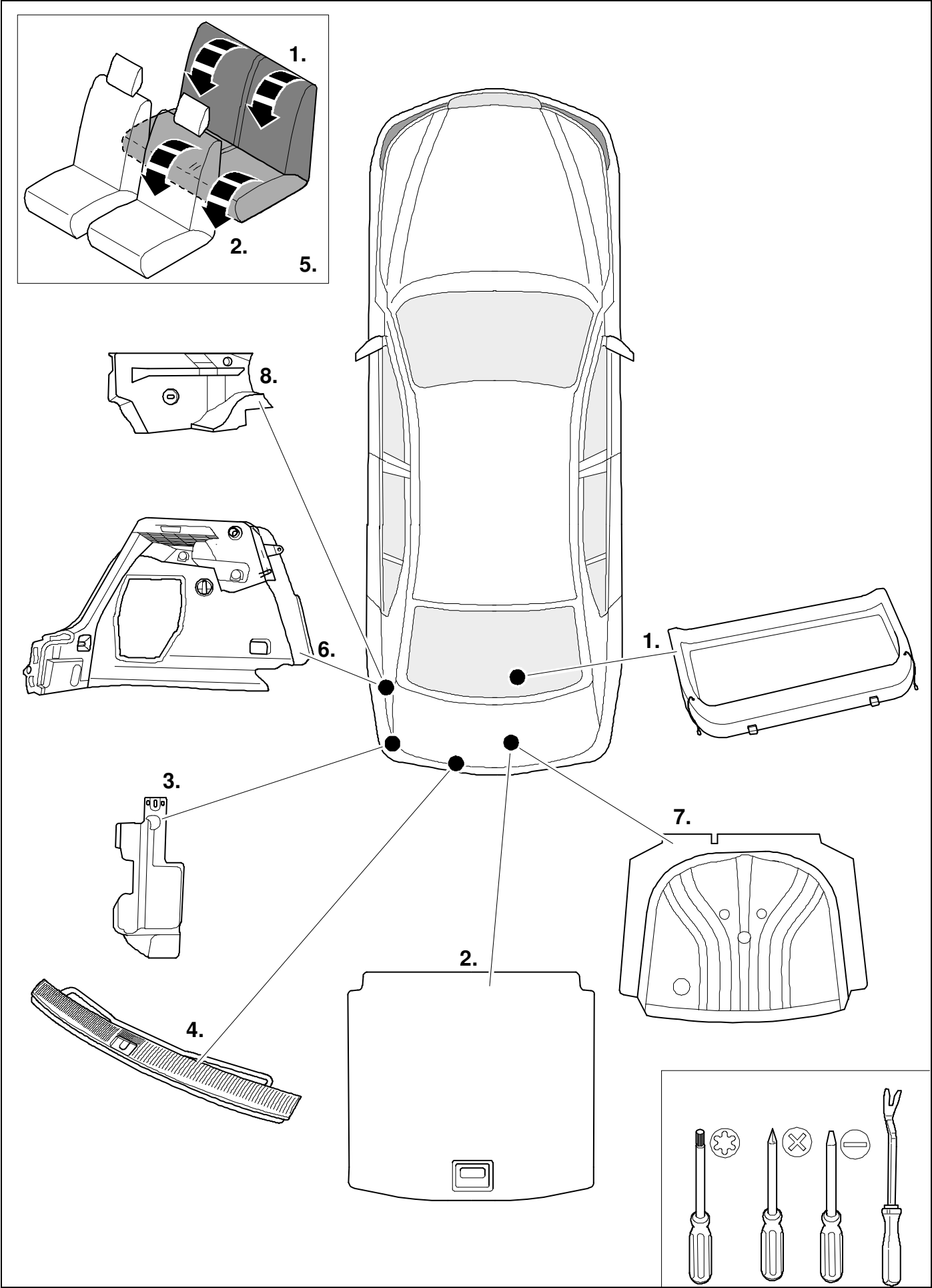
2x

TOOLS



1

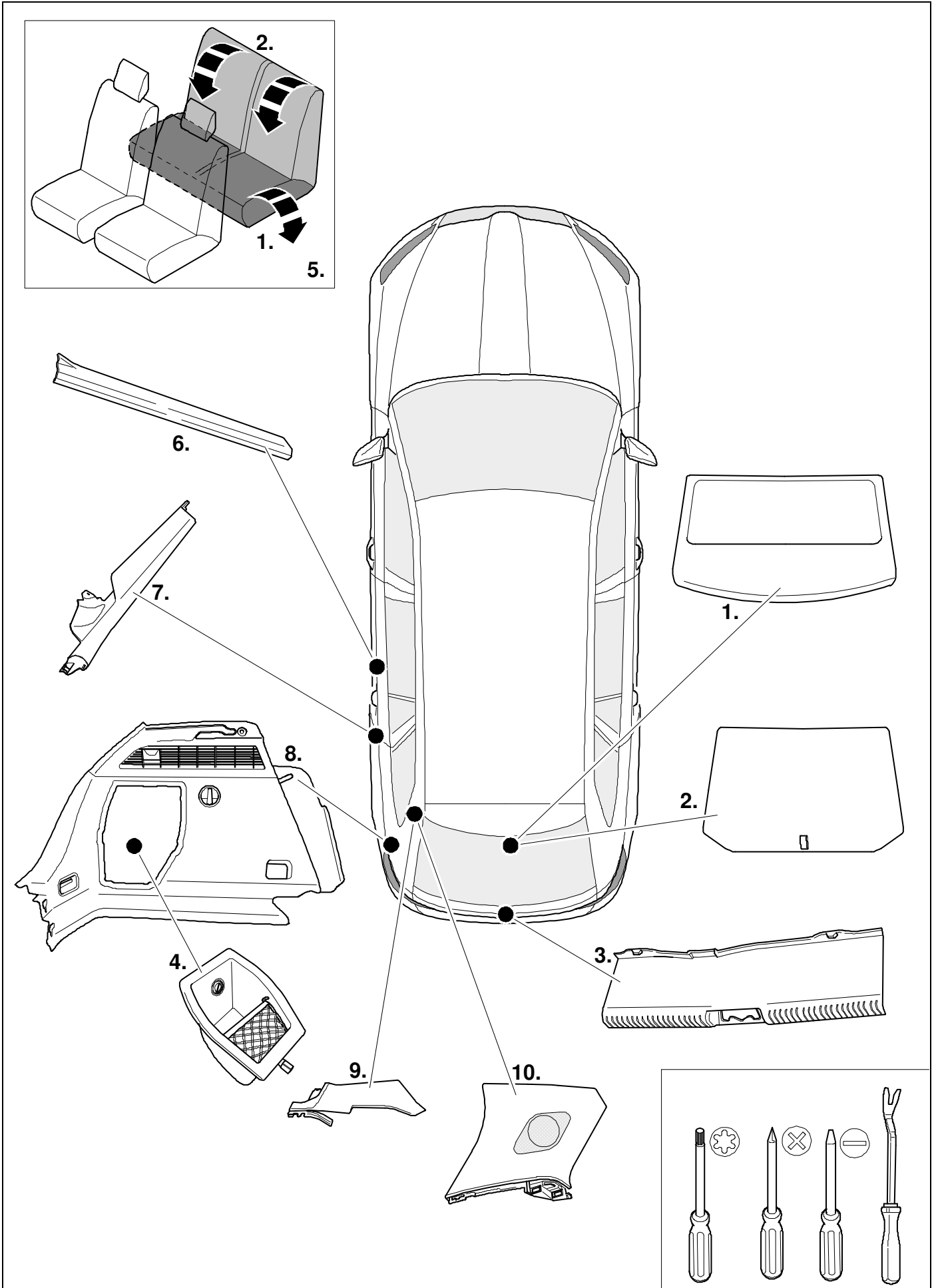




3

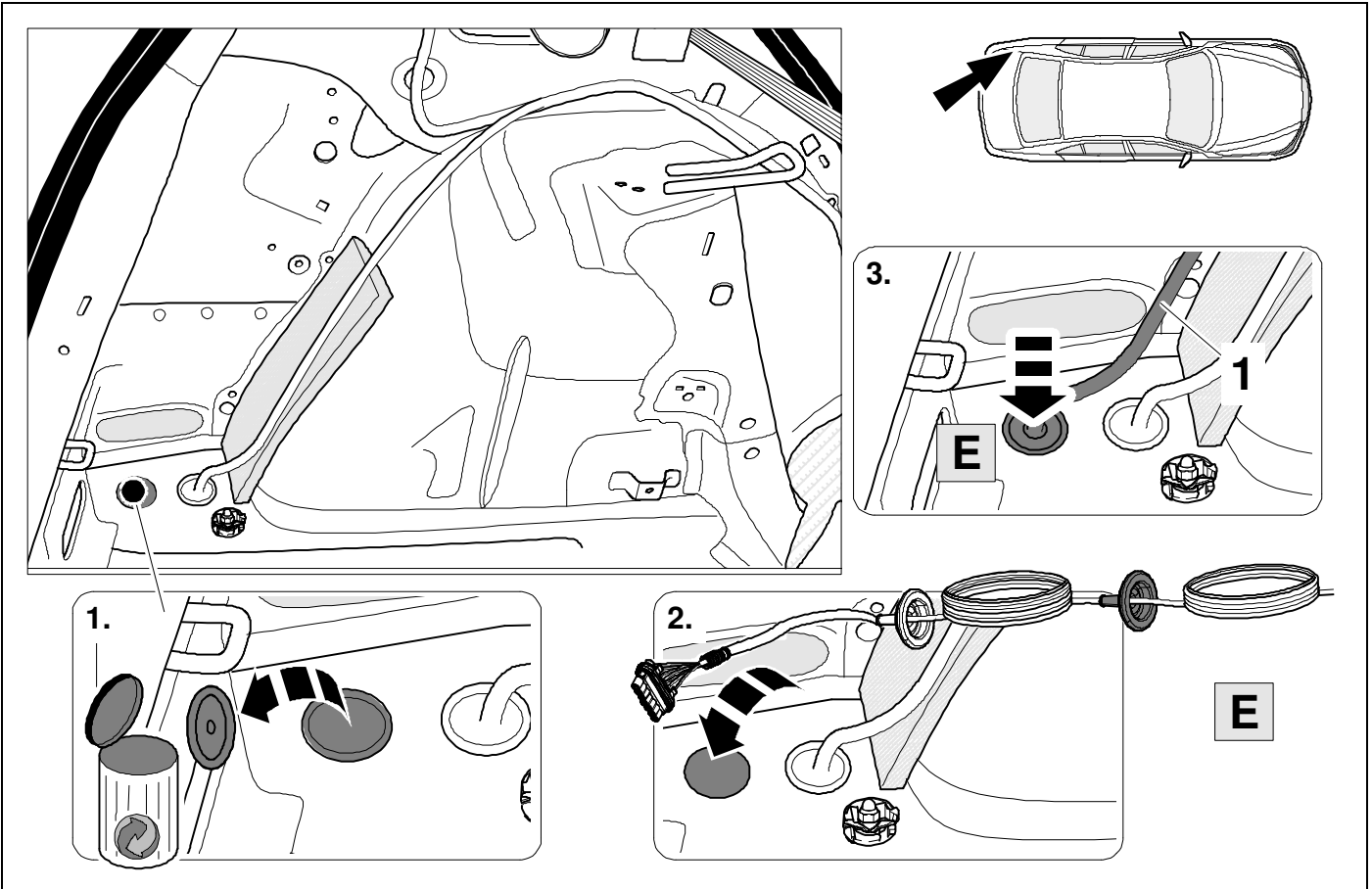
REMOVE

OCTAVIA 4 COMBI

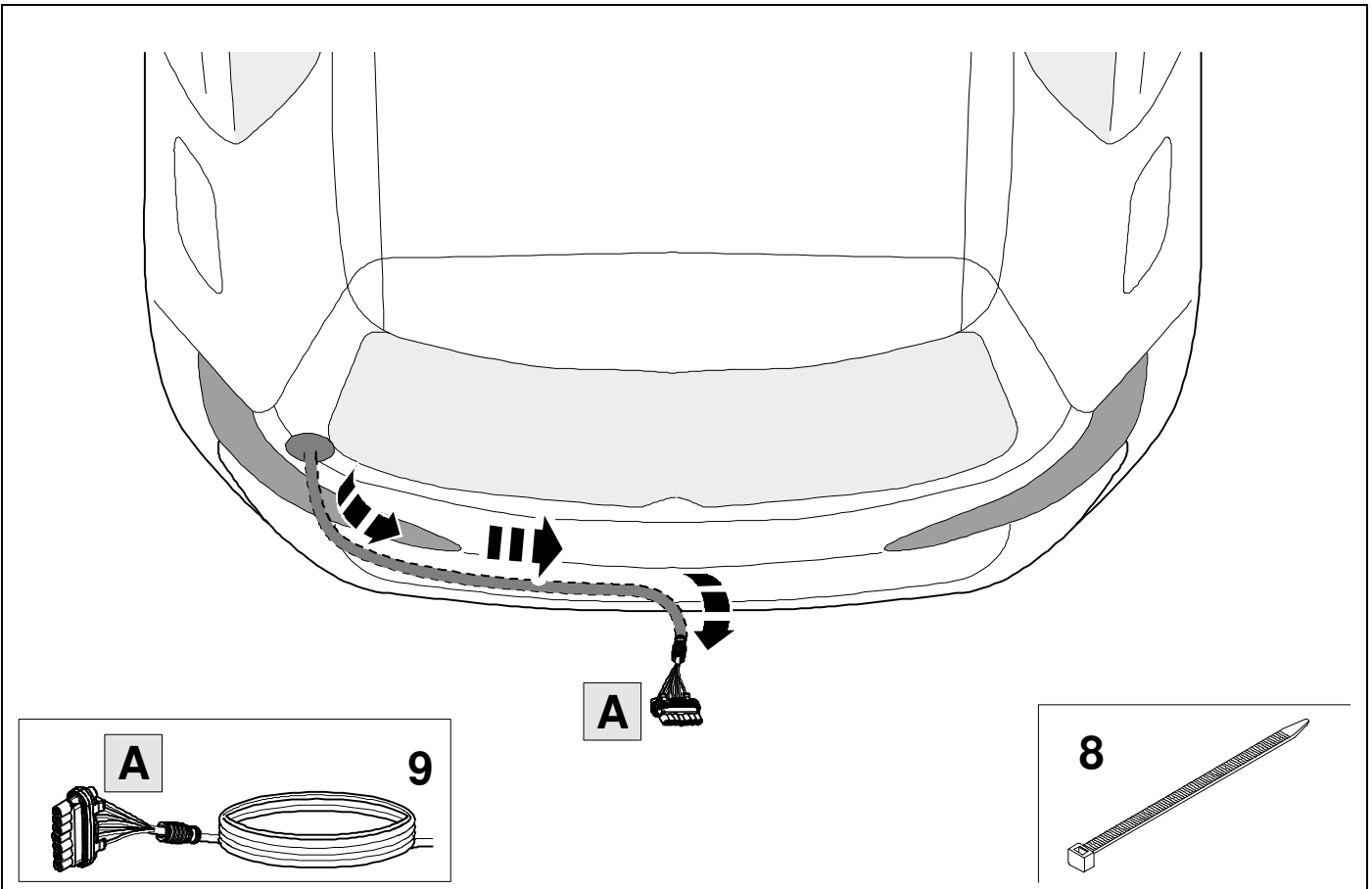


4

OCTAVIA 4 / OCTAVIA 4 COMBI



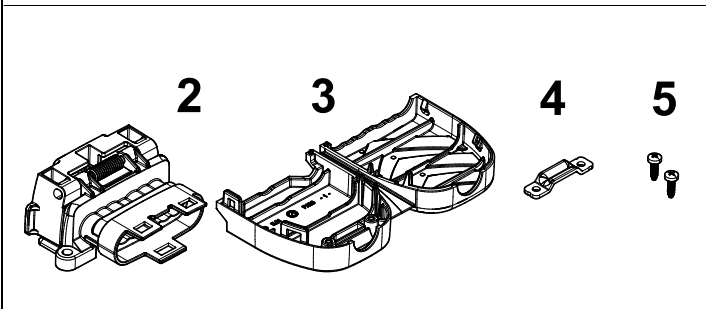
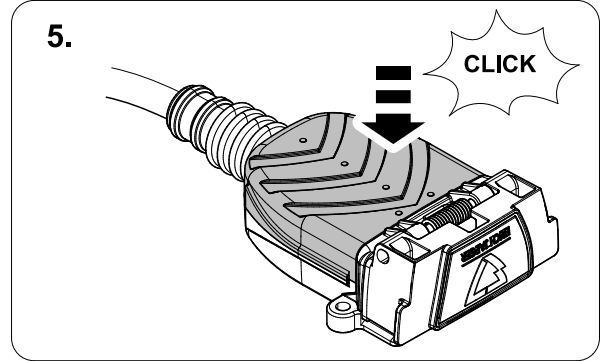
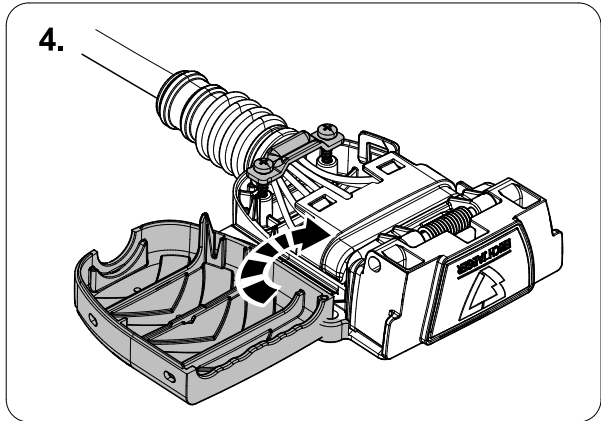
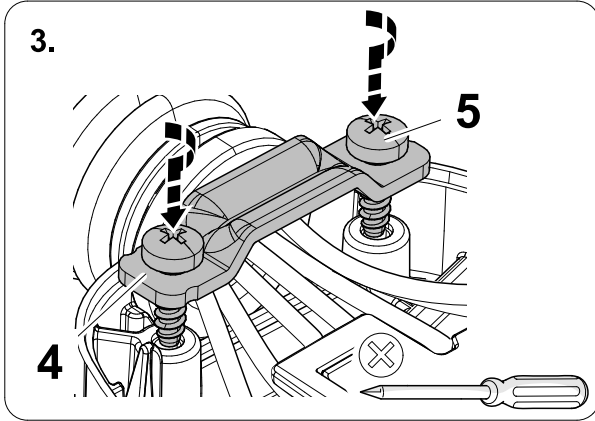
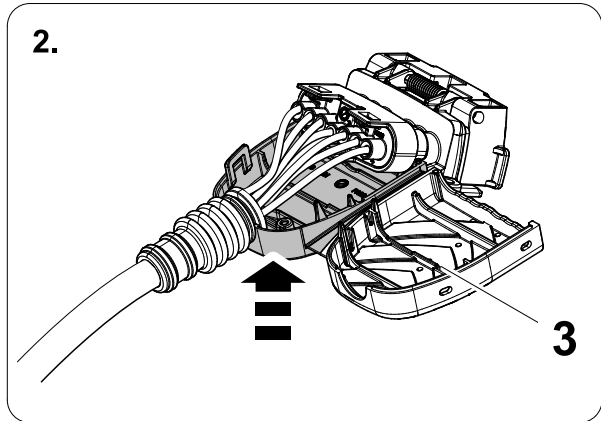
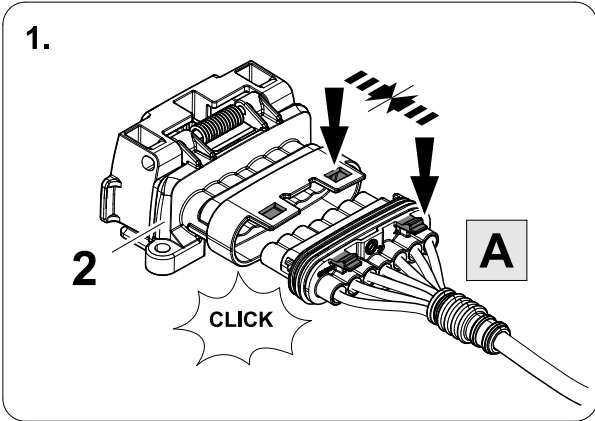
5



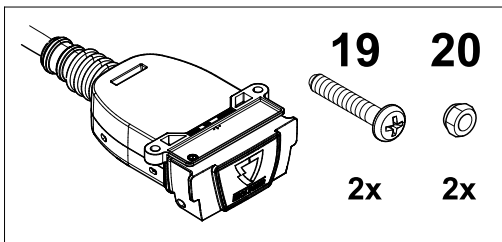
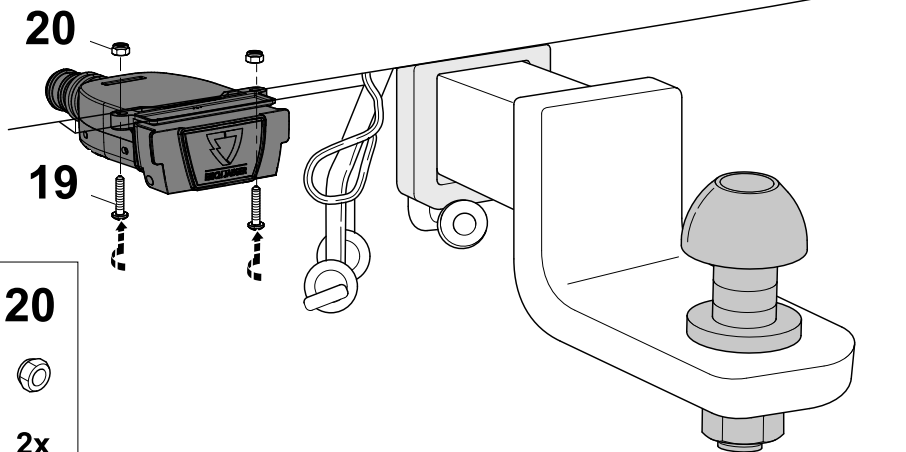
6



8



7



8



9

1	ye	
2	bk	
3	wh	
4	gn	
5	bu	
6	rd	
7	bn	

9	bk	wh	gy	gn	rd	bu	ye	bn	pu	or	no
---	----	----	----	----	----	----	----	----	----	----	----

	black	white	grey	green	red	blue	yellow	brown	purple	orange	not occupied
--	-------	-------	------	-------	-----	------	--------	-------	--------	--------	--------------

10

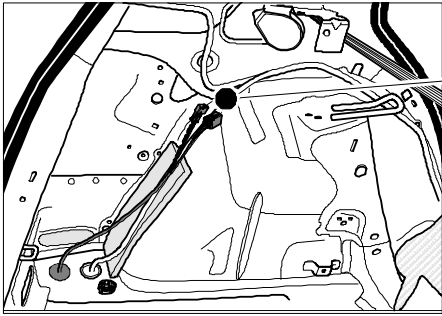
OCTAVIA 4 / OCTAVIA 4 COMBI

11



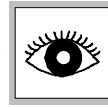
9

Vehicles with trailer preparation



bk
6 PIN

bk
10 PIN



OPTION 1

12



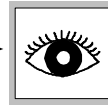
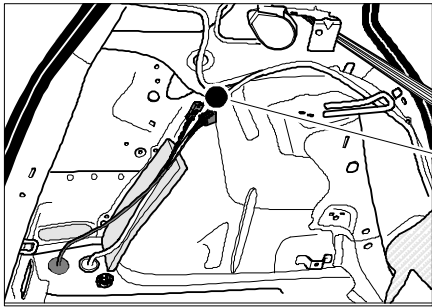
18

33



44

Vehicles without trailer preparation



OPTION 2

19



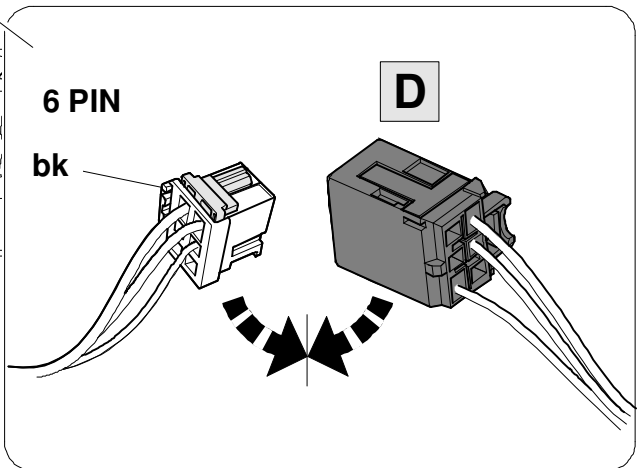
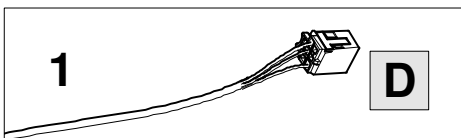
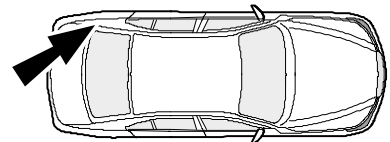
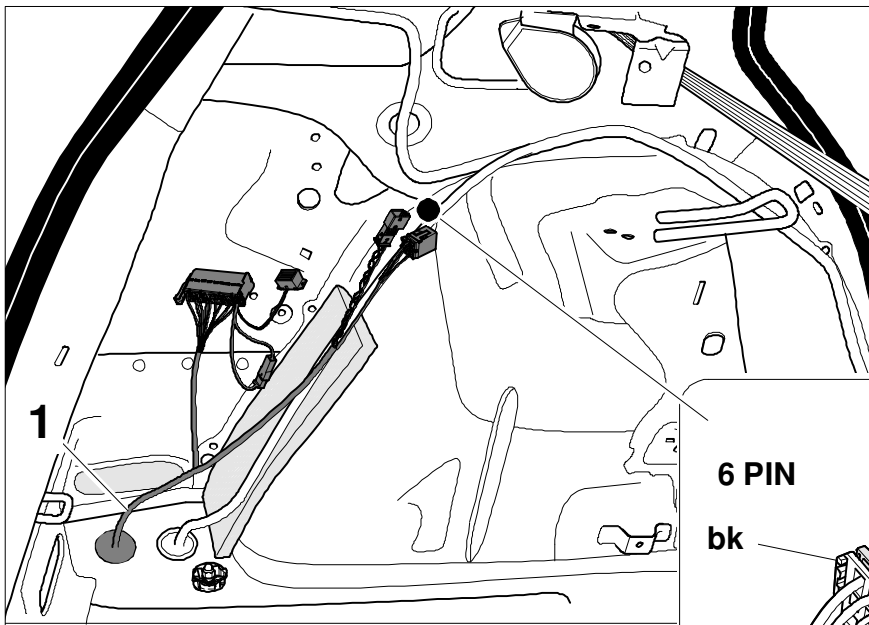
44

12



9

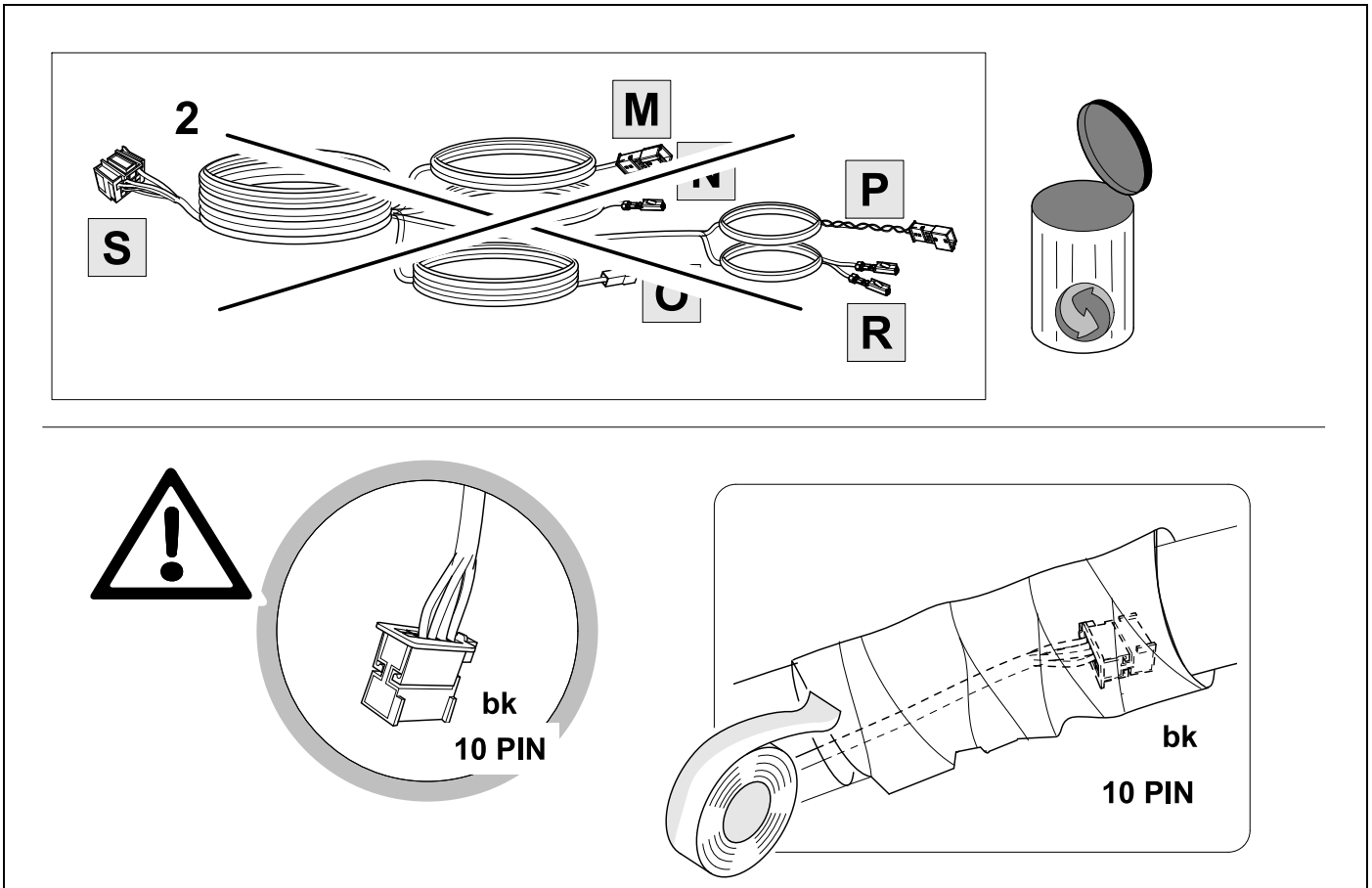
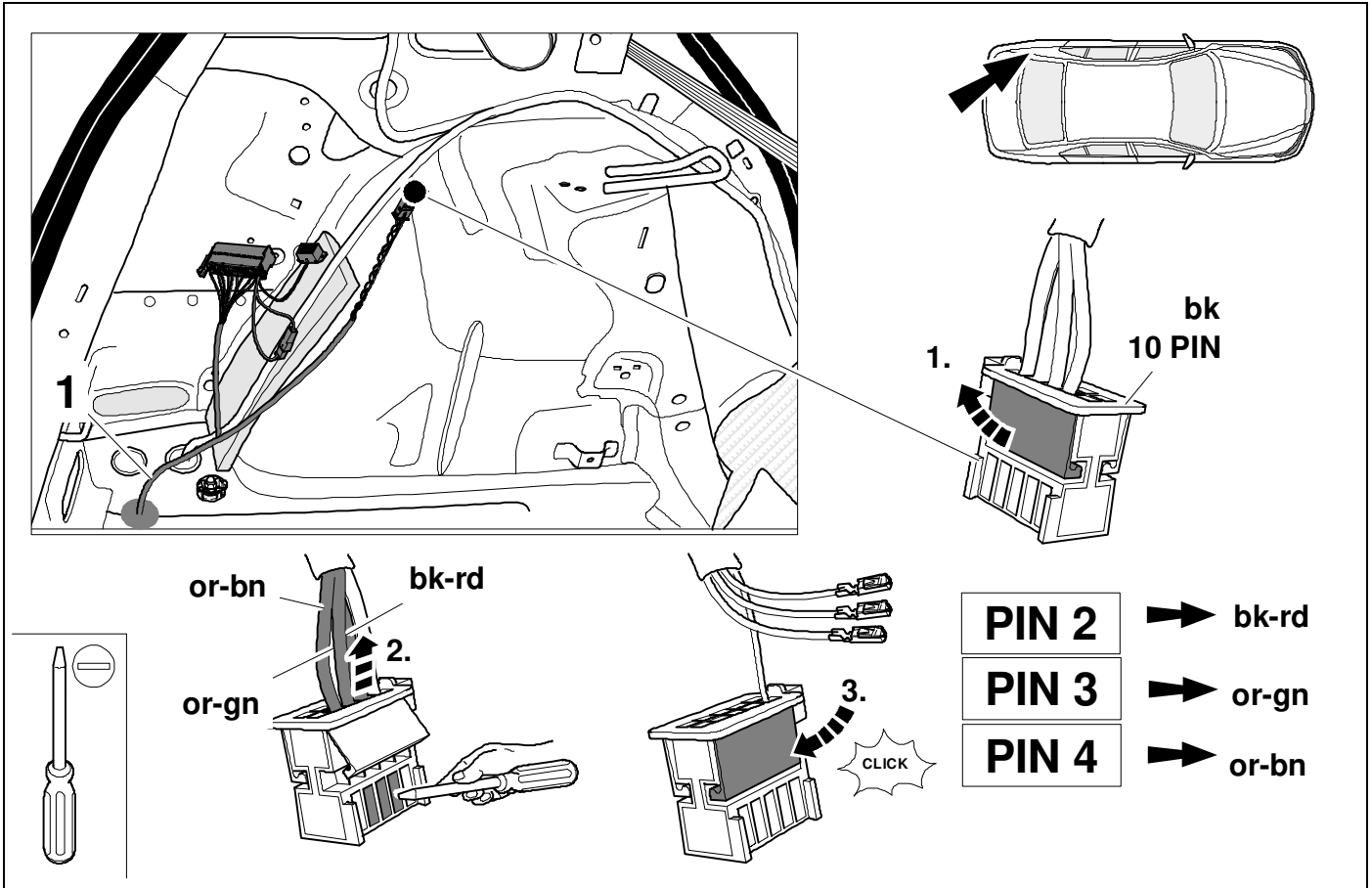
OPTION 1



6 PIN

bk

D

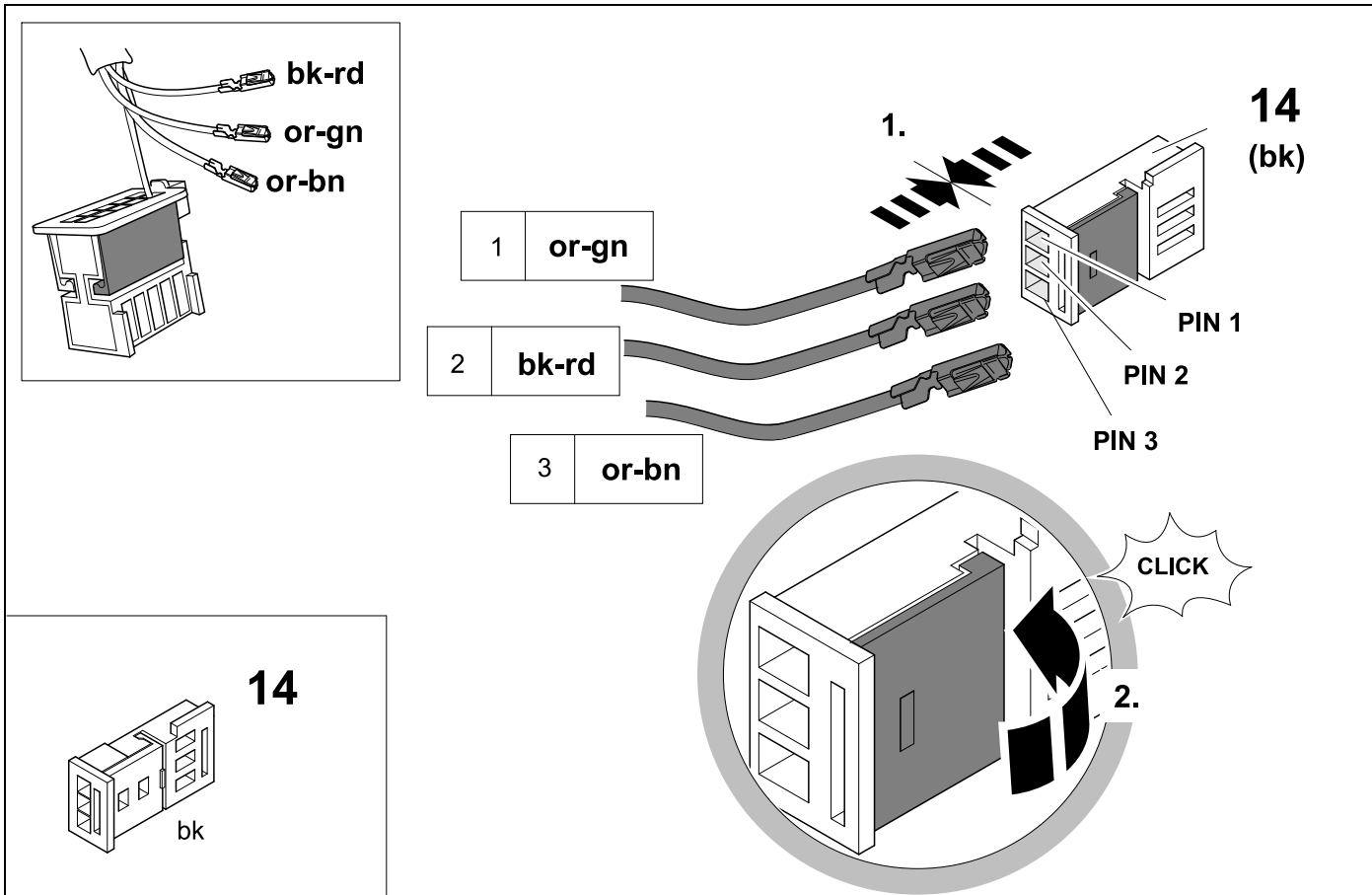


15



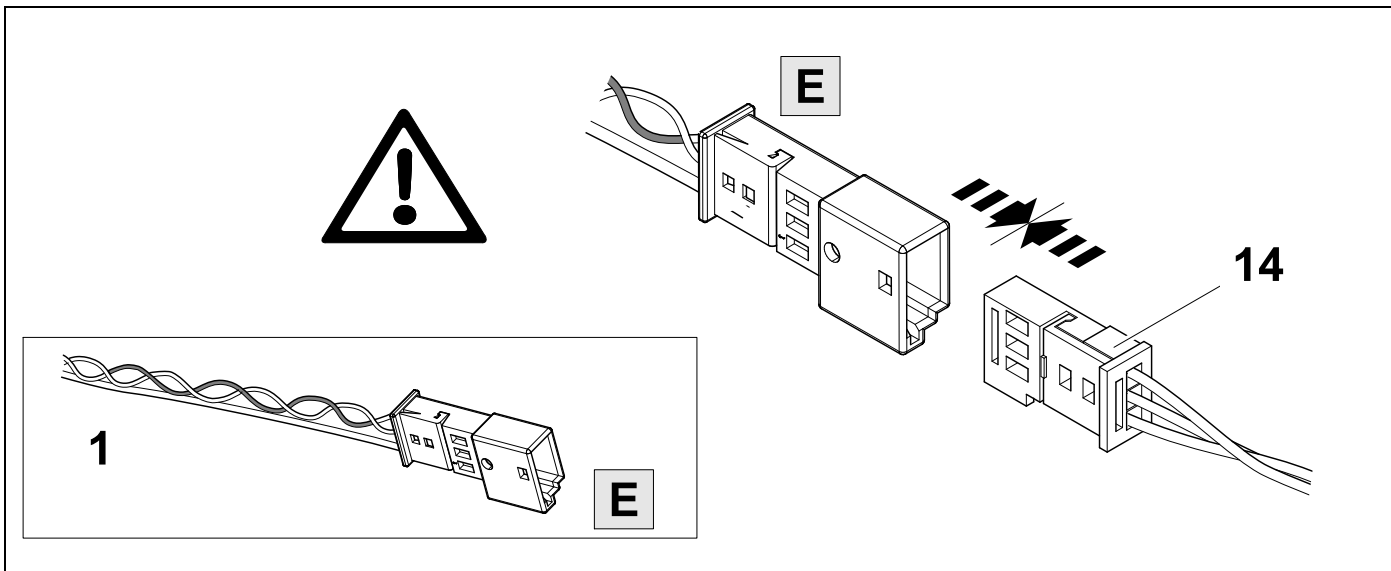
9

OPTION 1



16

OPTION 1

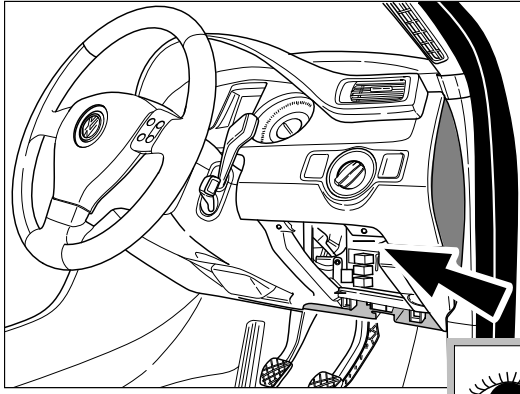


17

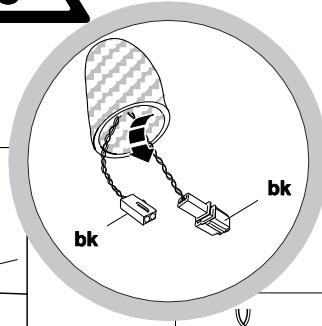
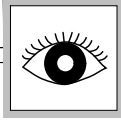
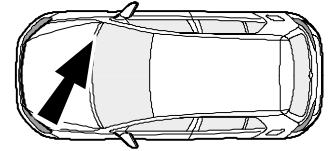


9

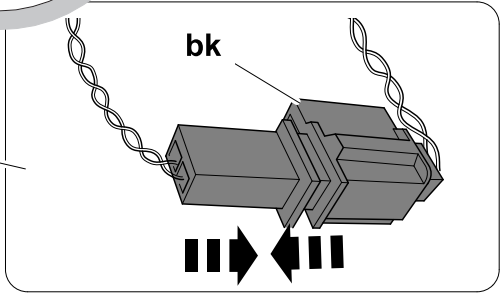
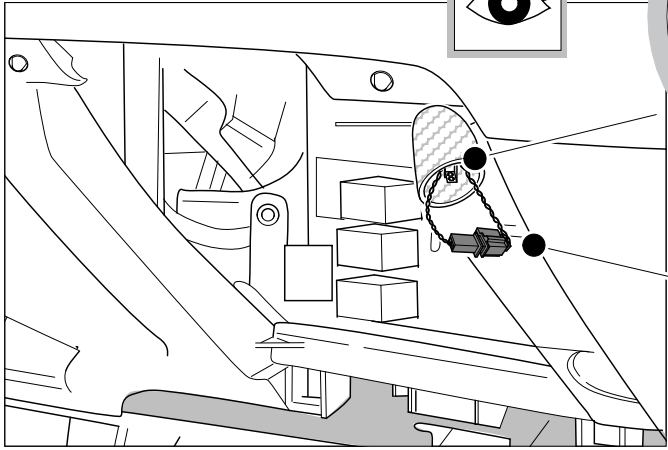
OPTION 1



CAN BUS

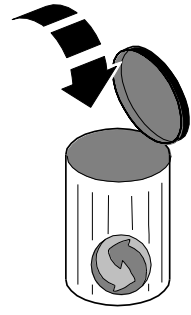
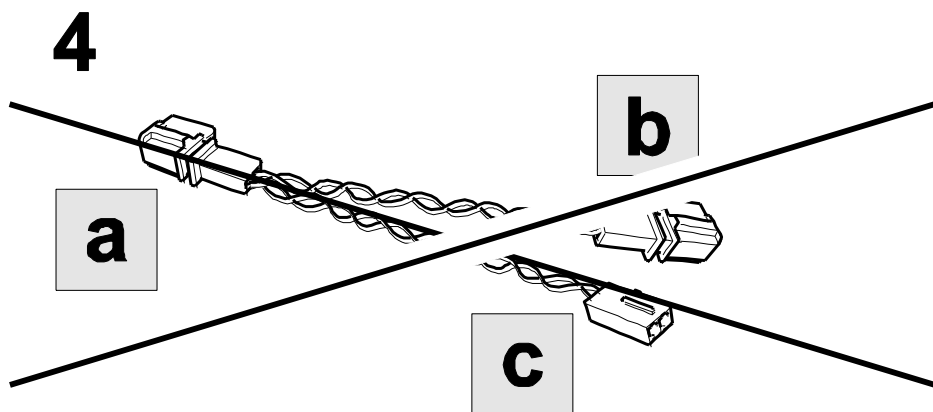


This can be tucked away between the cross member and firewall in the area shown.



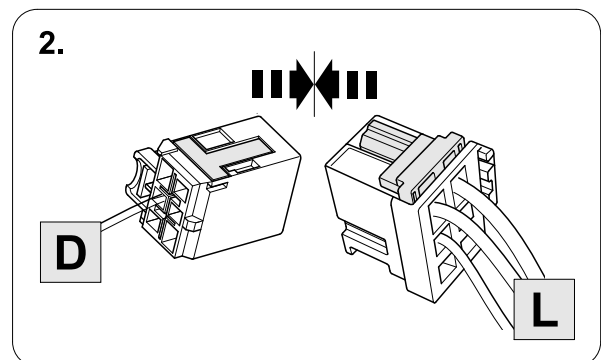
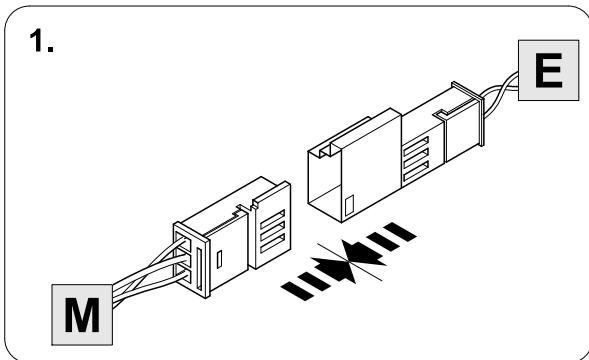
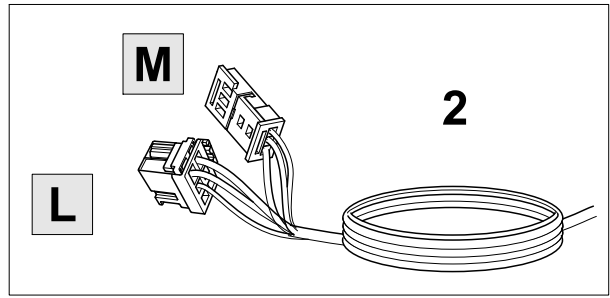
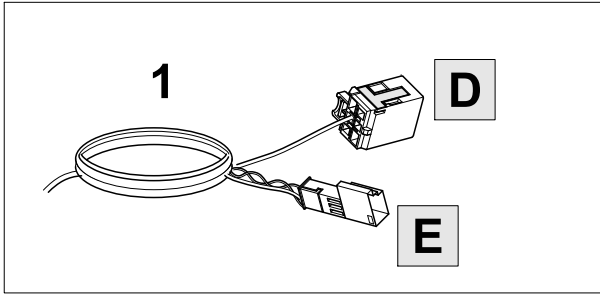
18

OPTION 1



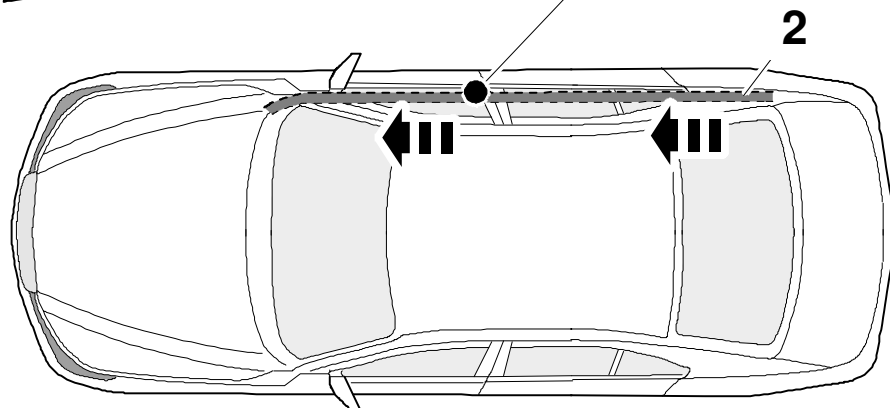
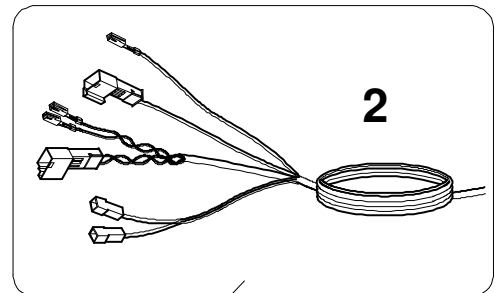
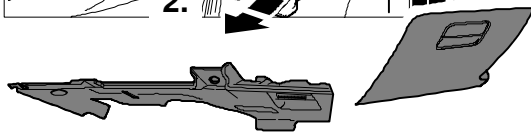
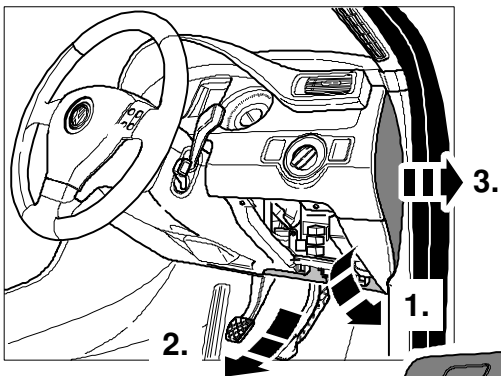
19

OPTION 2



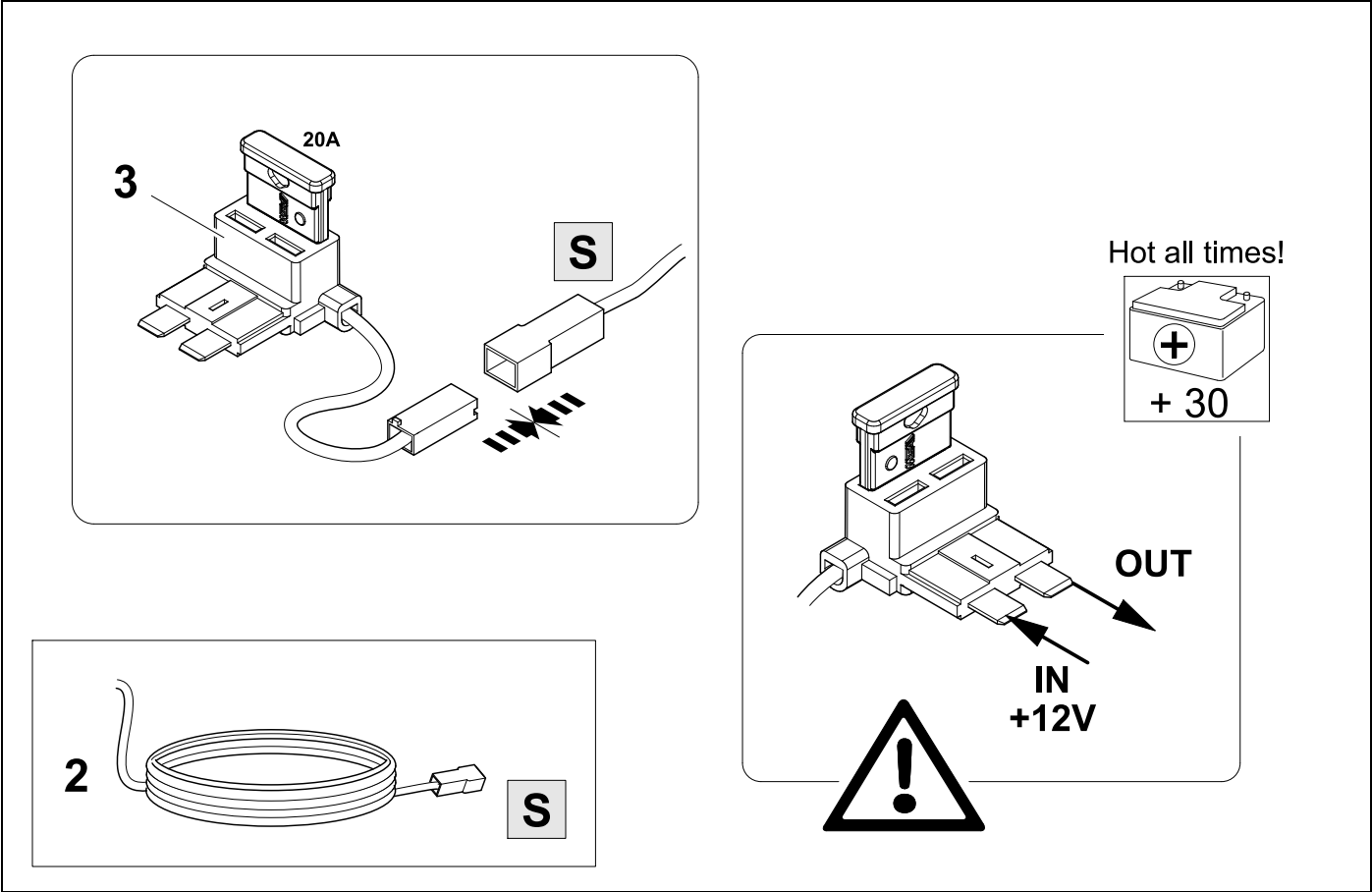
20

OPTION 2



21

OPTION 2

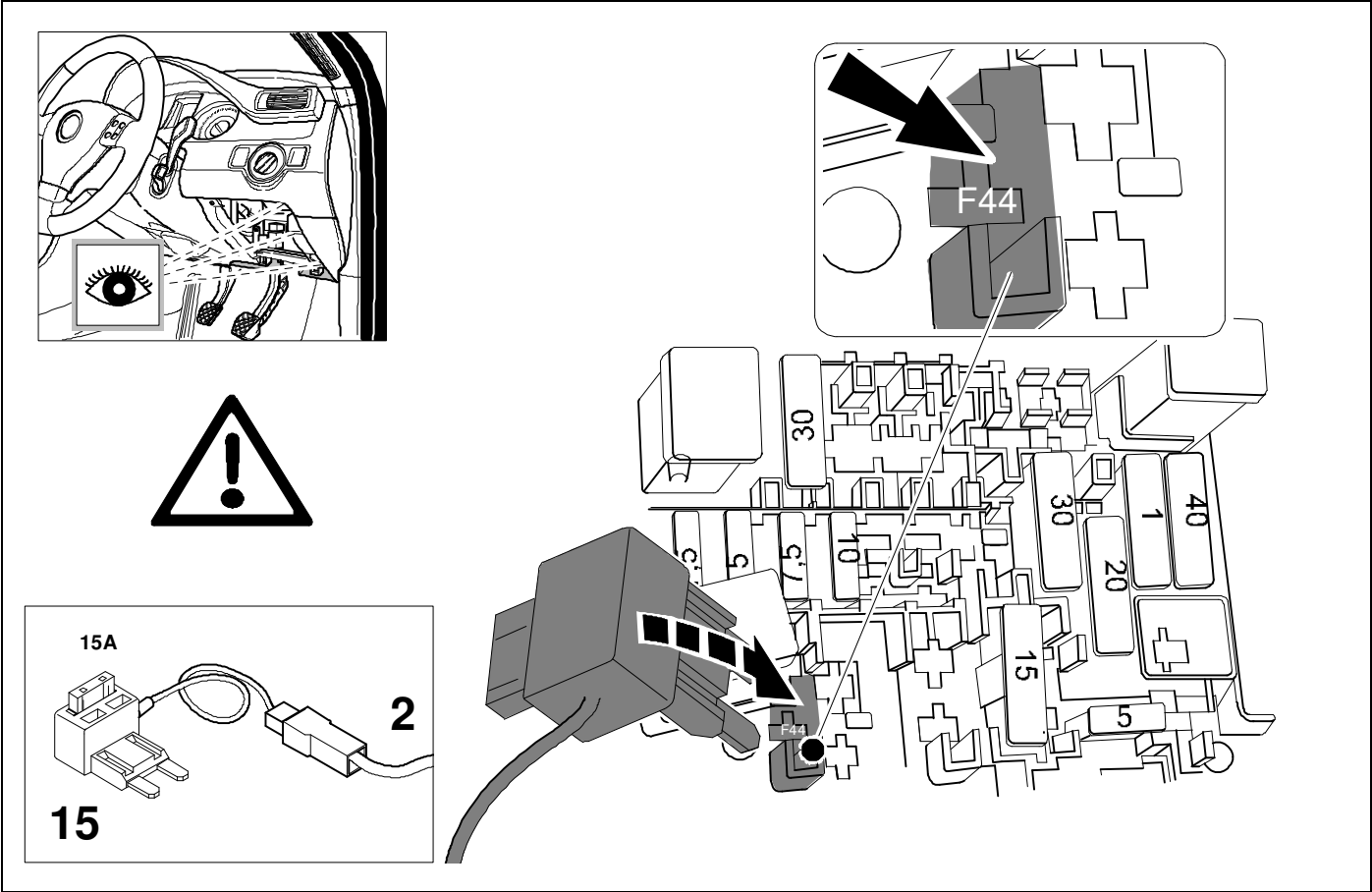


22



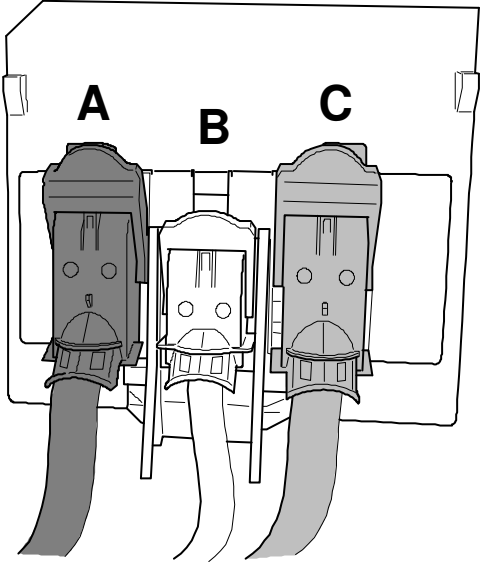
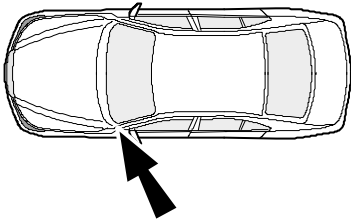
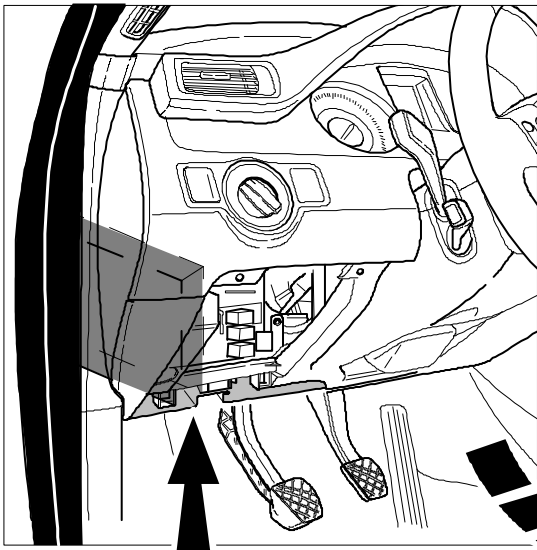
39

OPTION 2

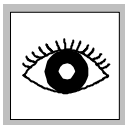


23

OPTION 2



BCM



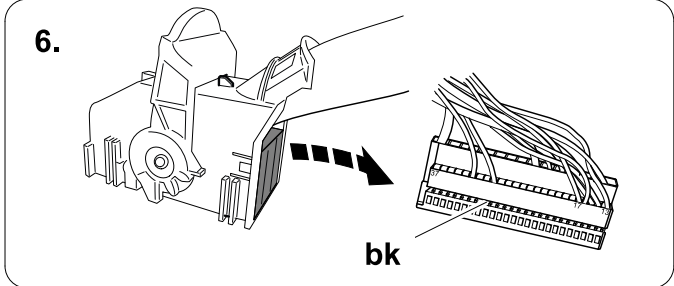
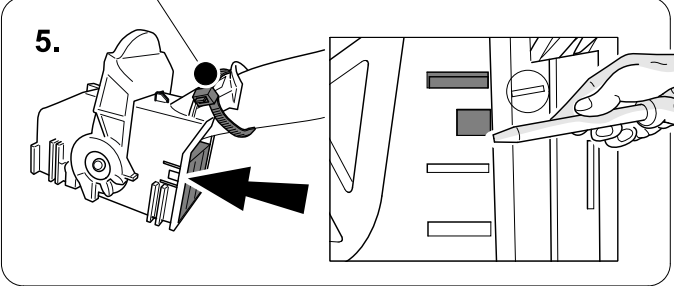
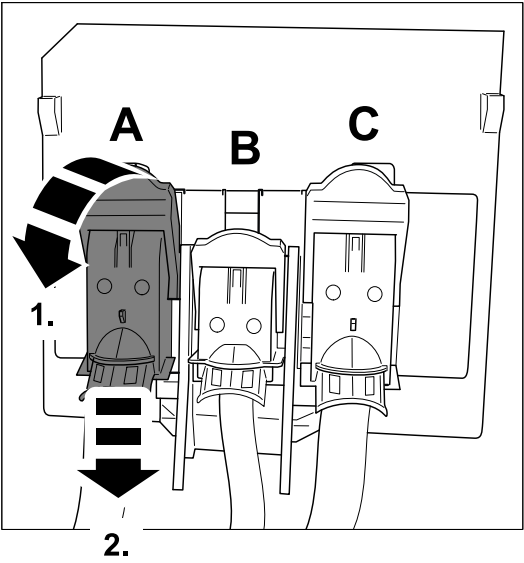
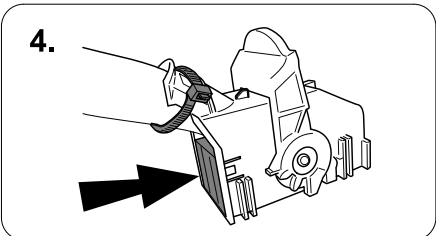
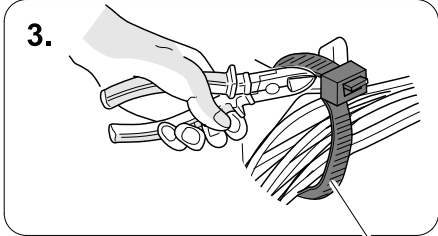
24



9

OPTION 2

CAN

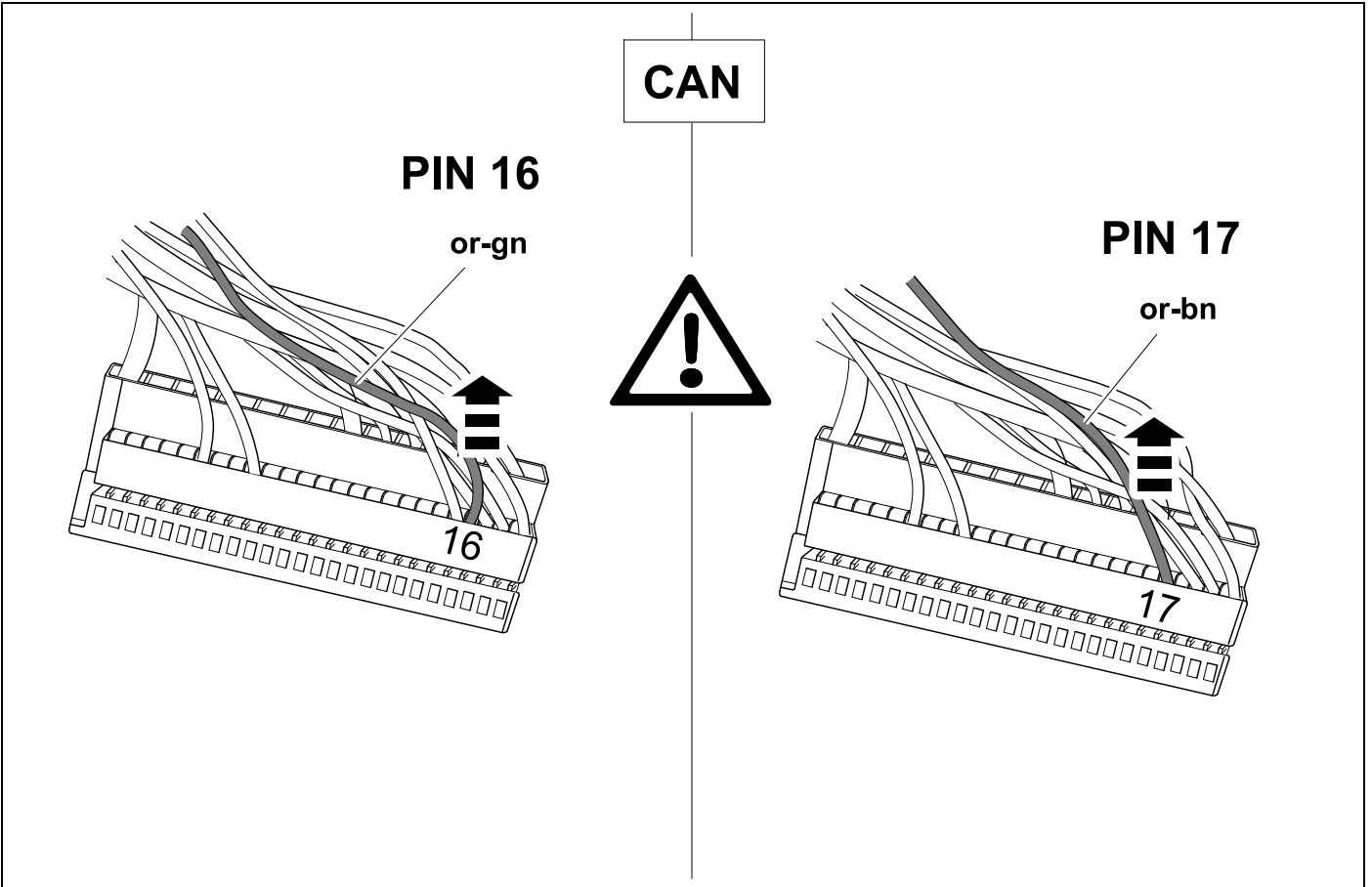


25



9

OPTION 2

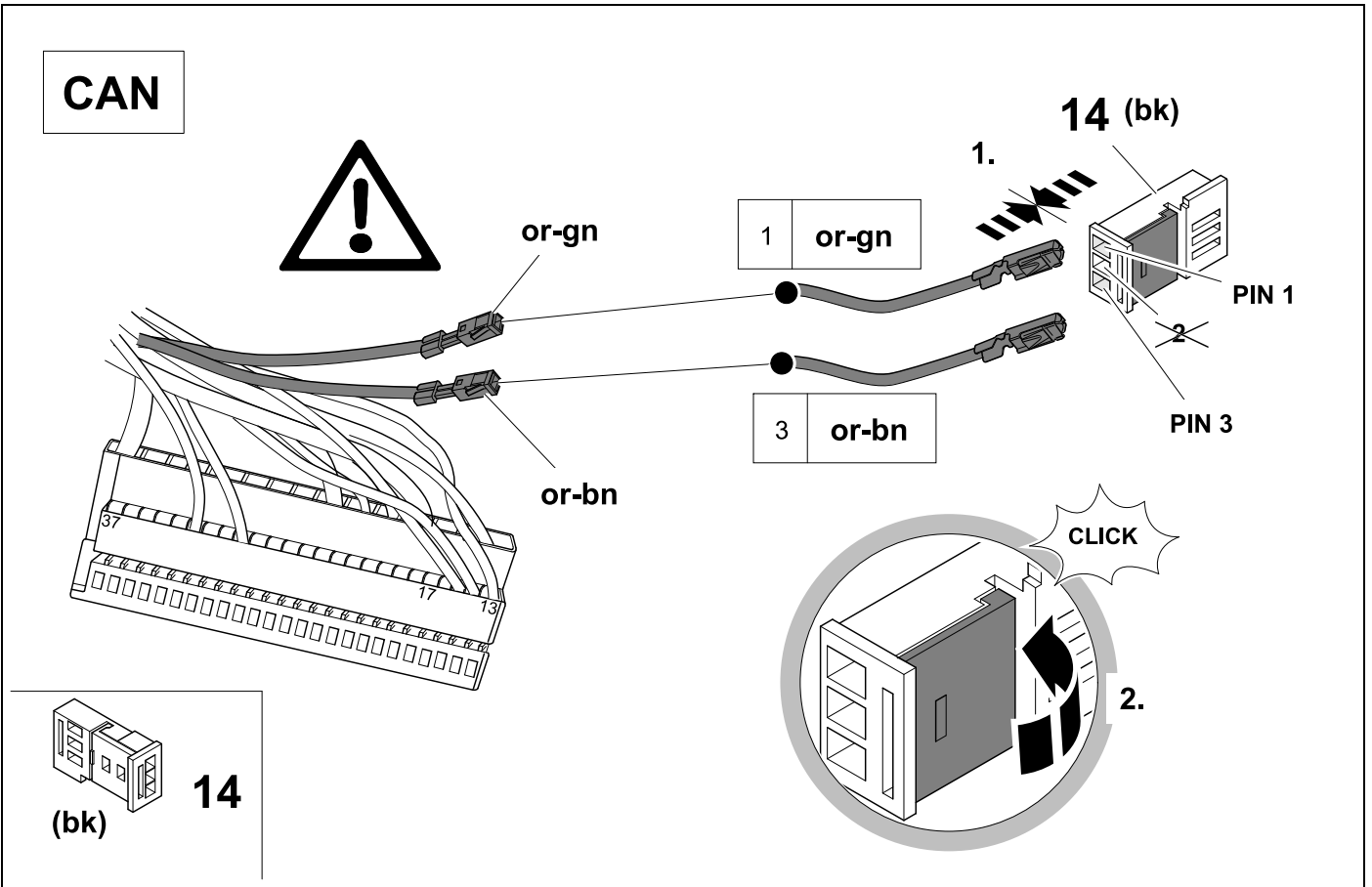


26



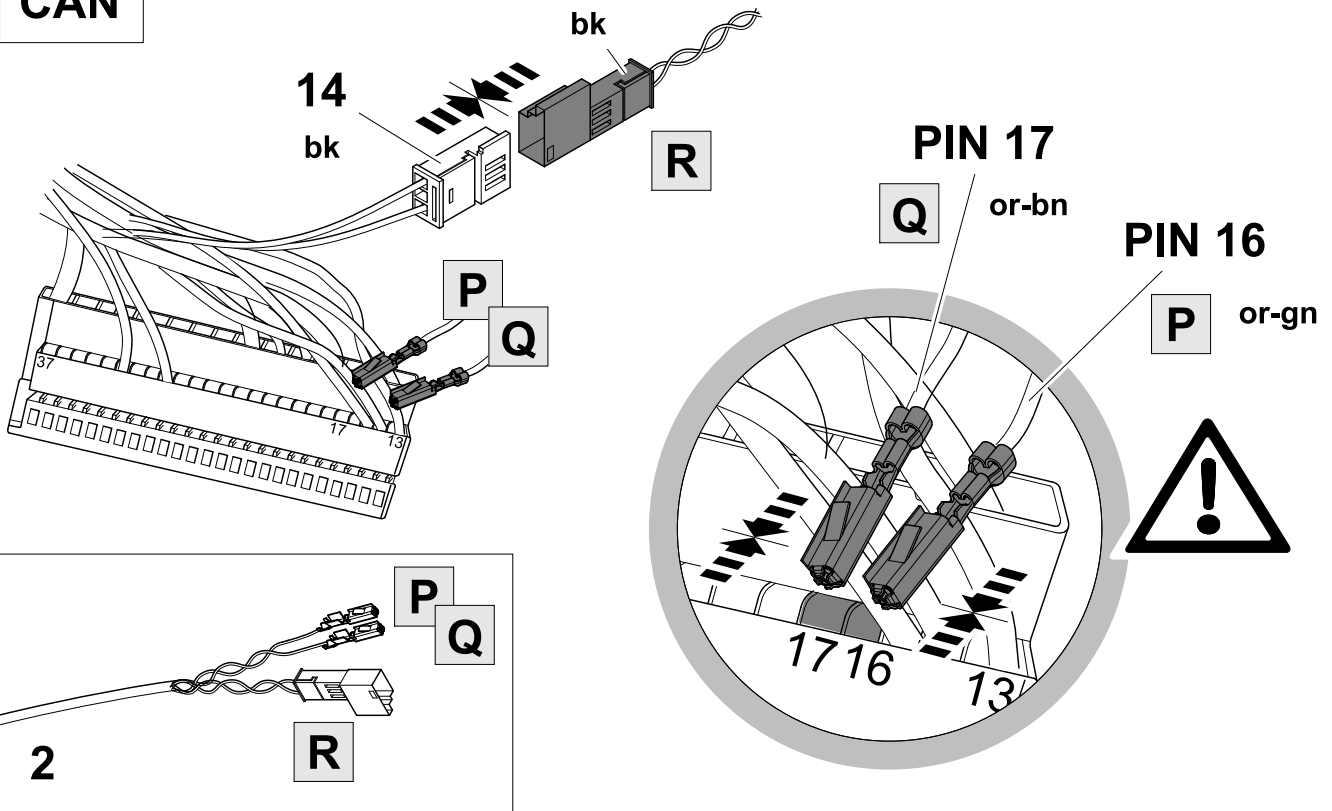
9

OPTION 2

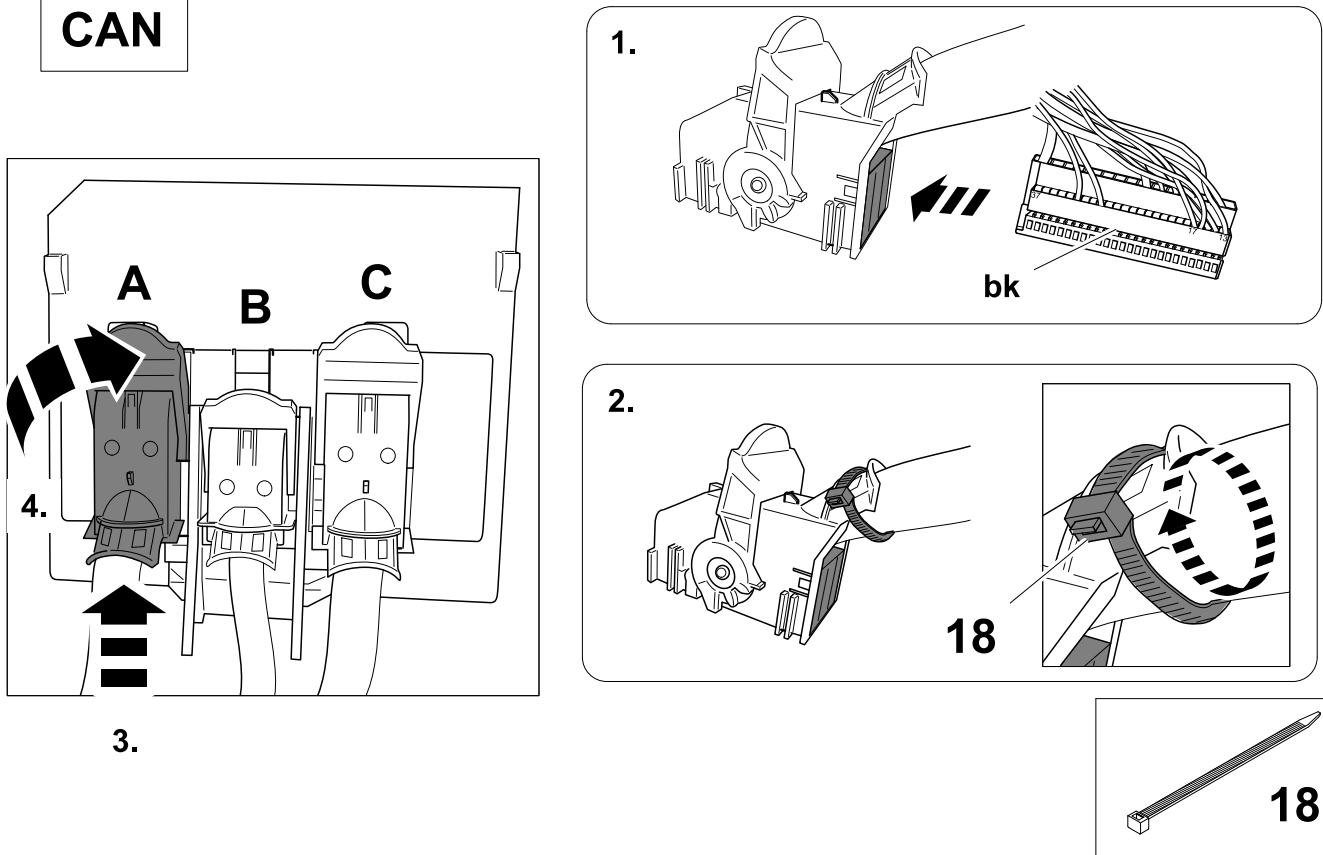




CAN



CAN

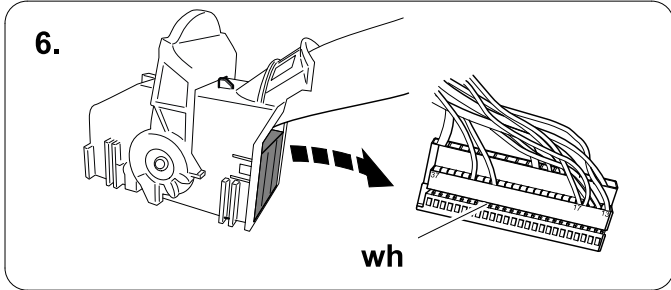
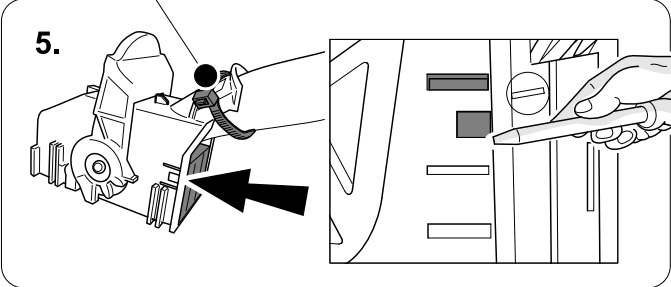
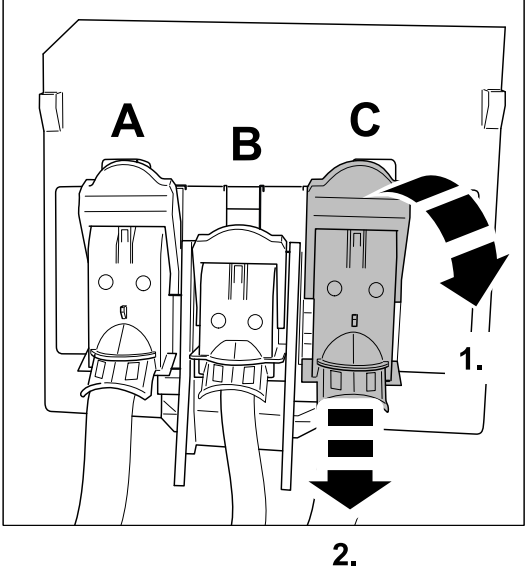
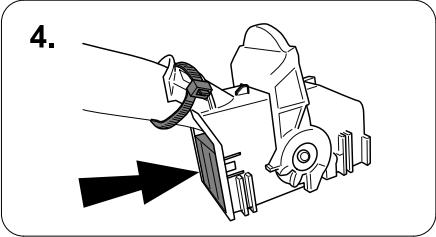
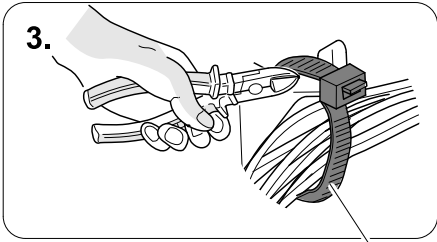


29

9

OPTION 2

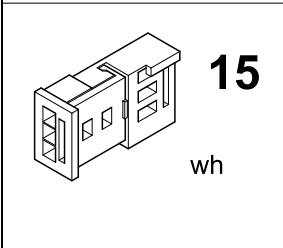
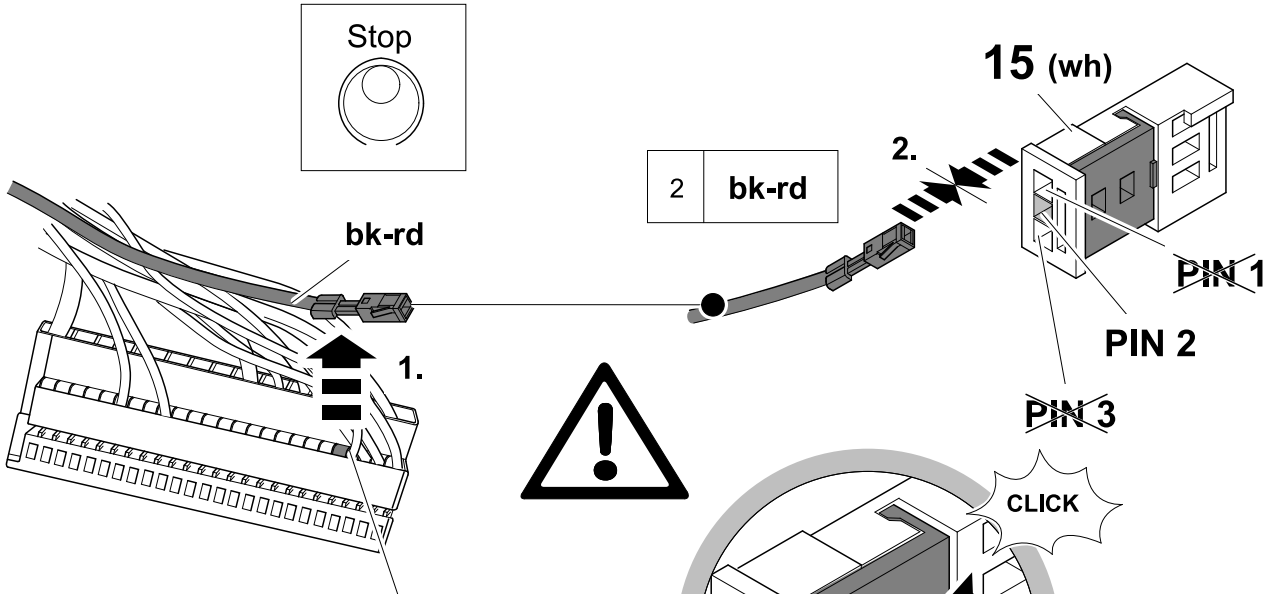
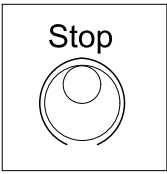
CAN



30

9

OPTION 2



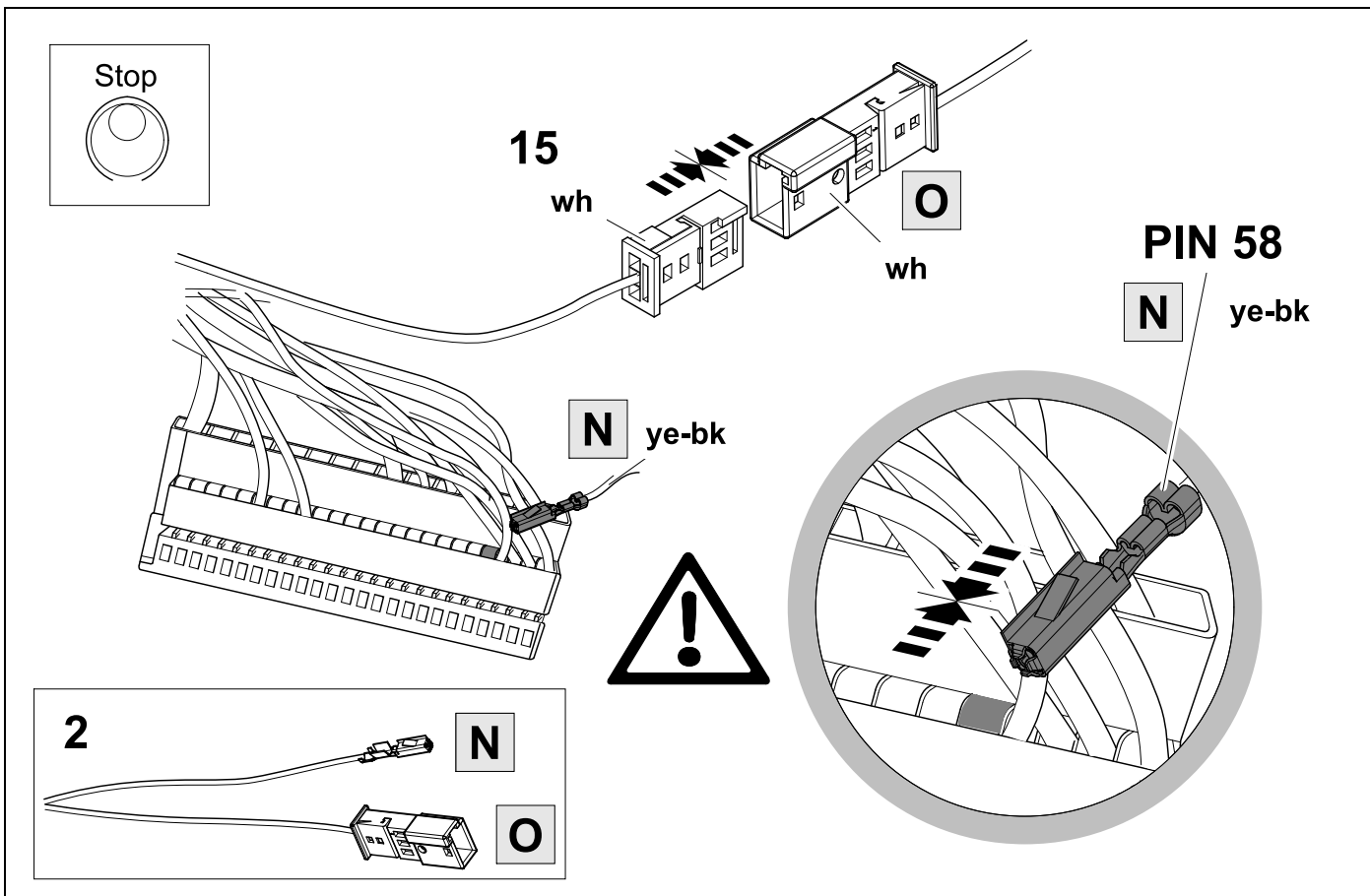
PIN 58

31



9

OPTION 2

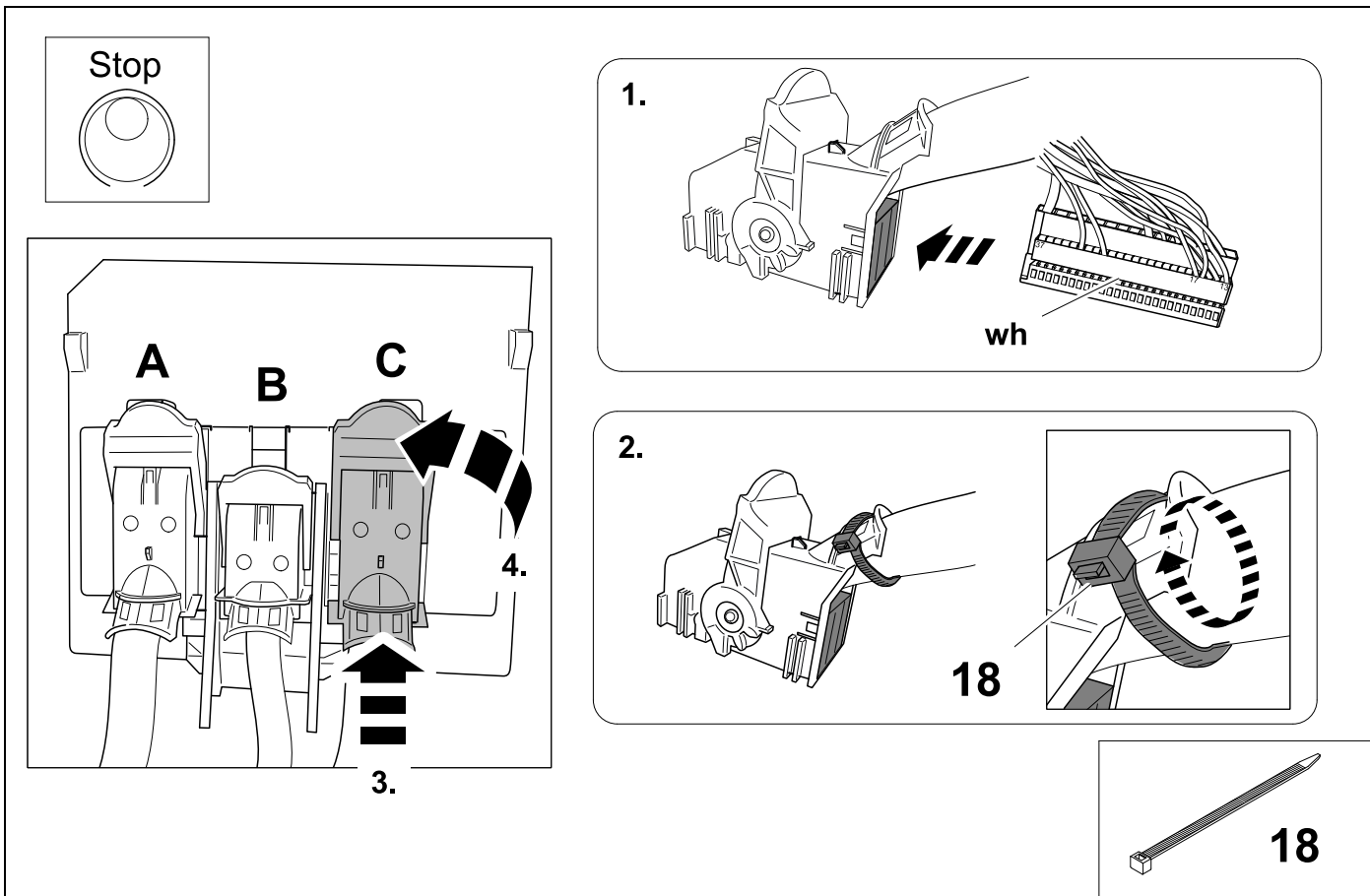


32

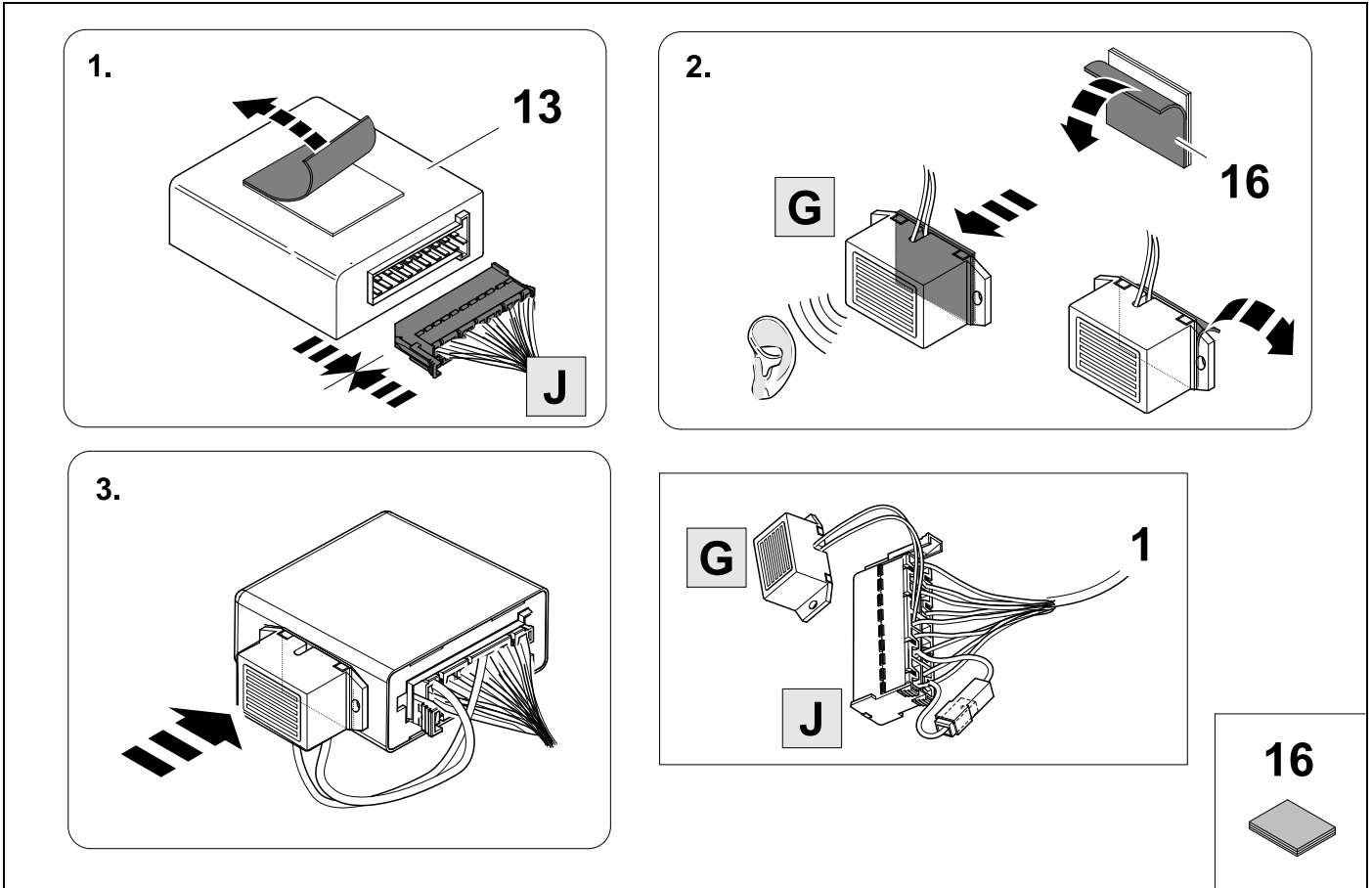


9

OPTION 2

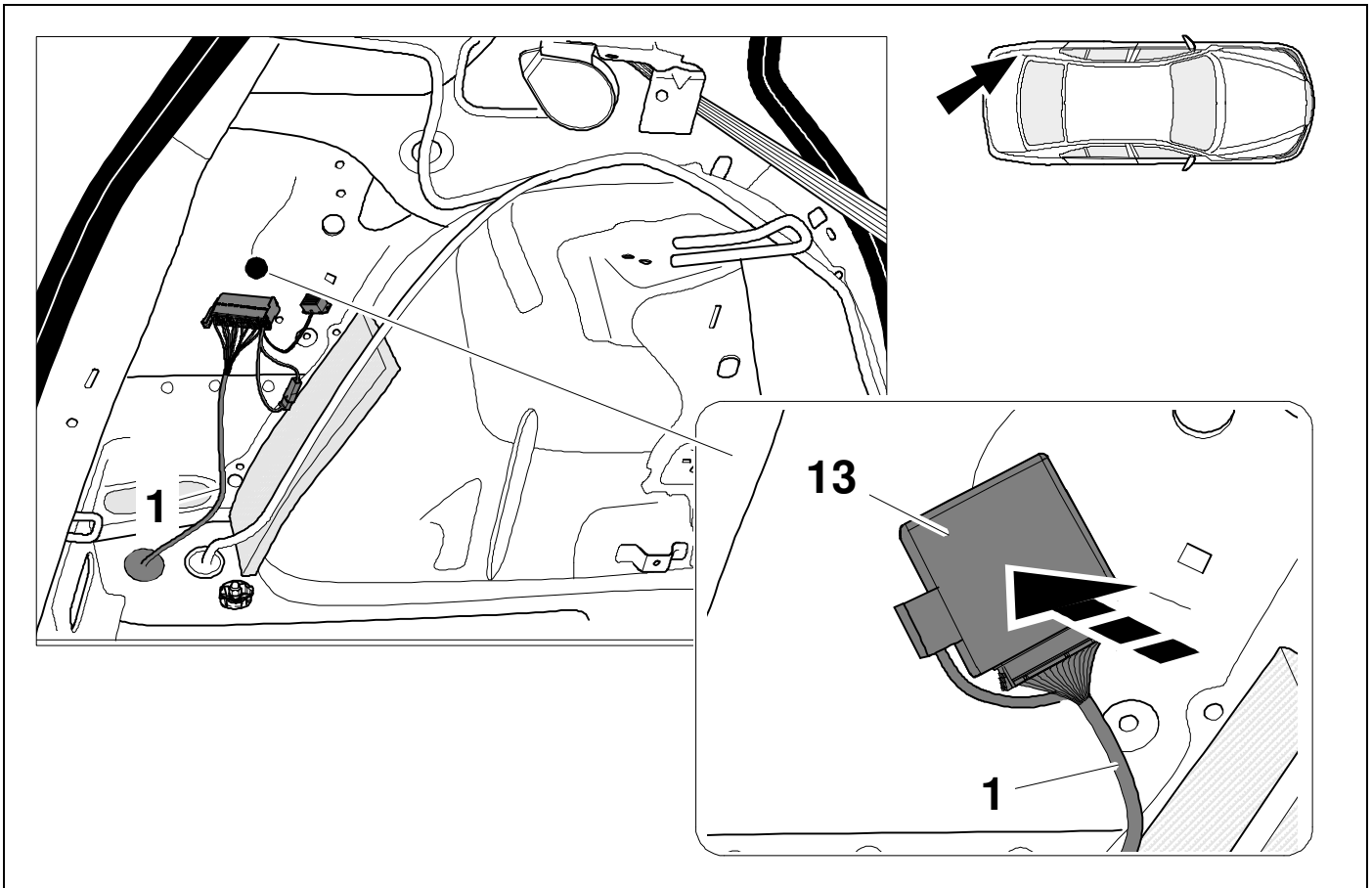


33



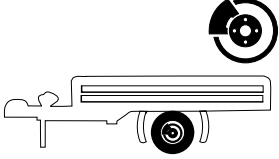
34

OCTAVIA 4 / OCTAVIA COMBI

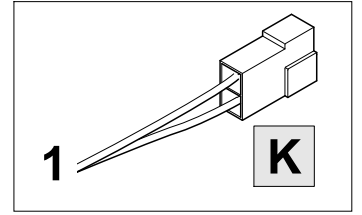




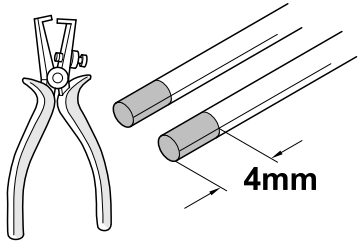
**BRAKE
CONTROLLER
PREPARED**



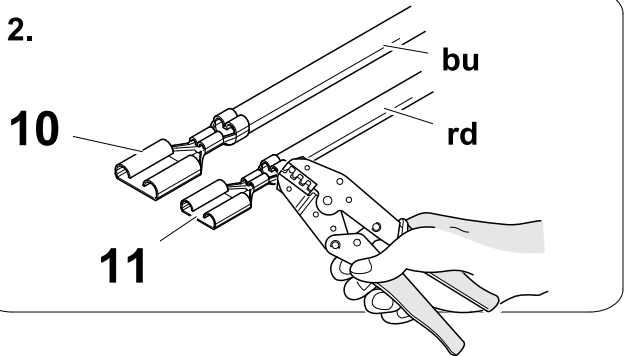
Trailer Brake Preparation



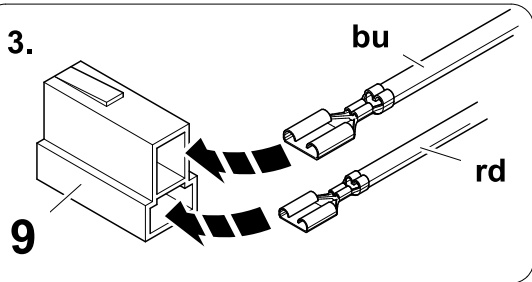
1.



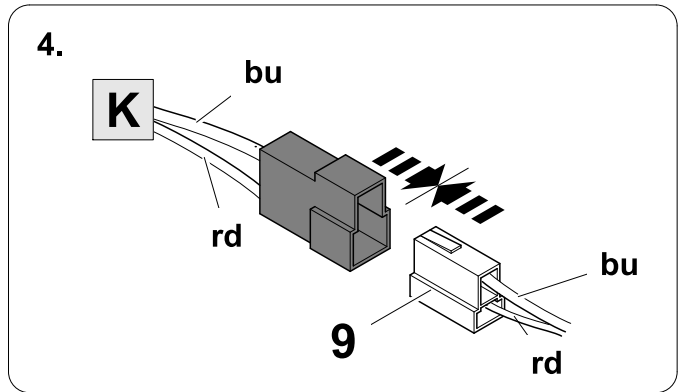
2.



3.



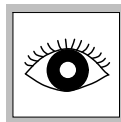
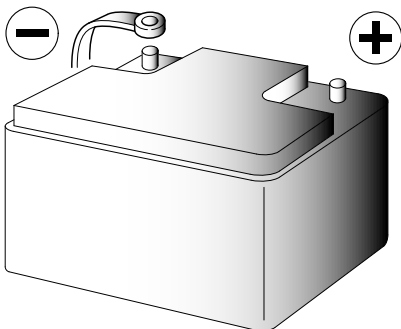
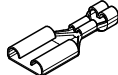
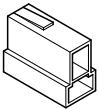
4.



9

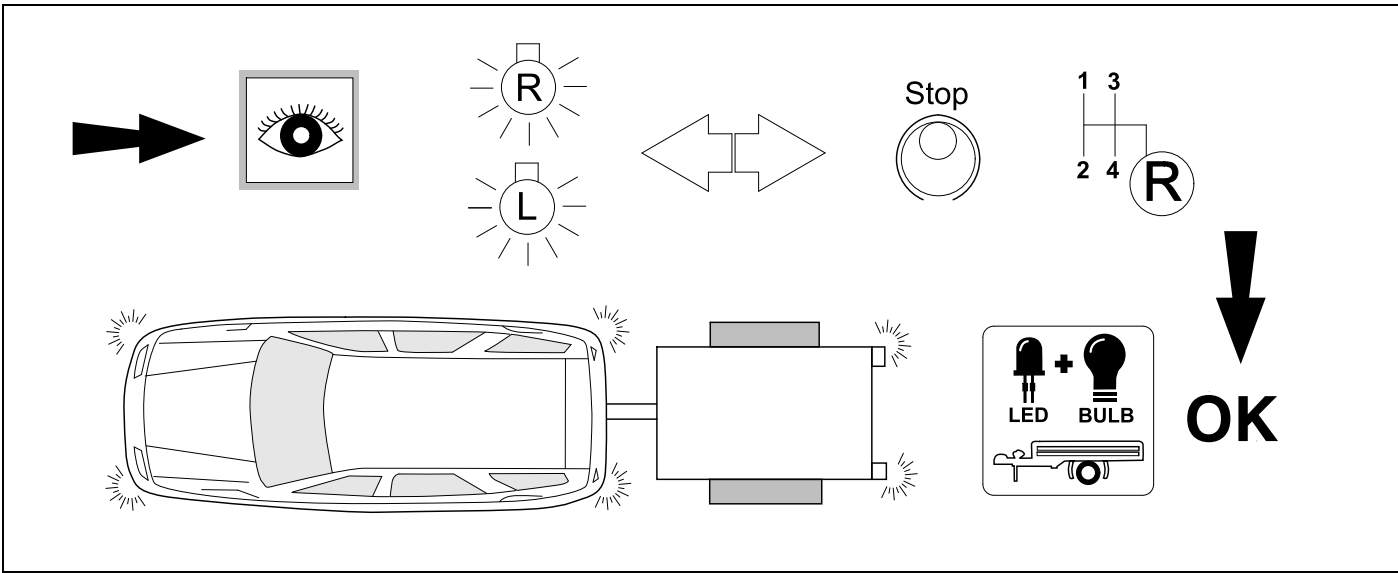
10

11



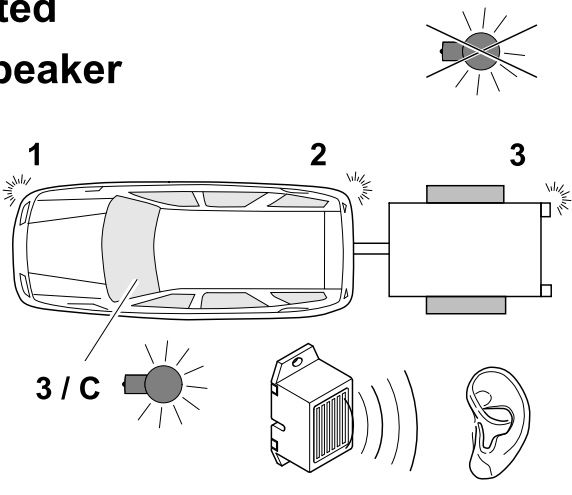
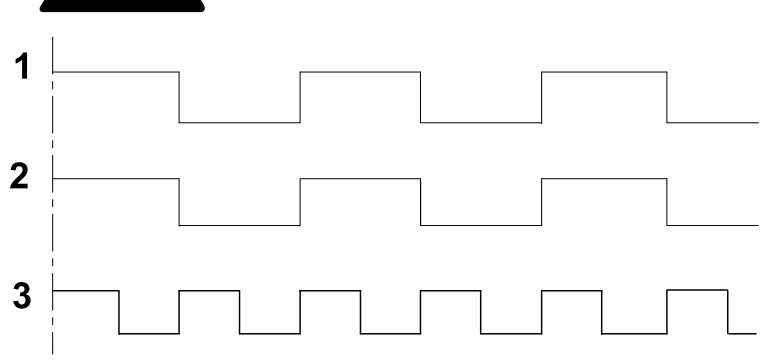
37

CHECK ALL LIGHTING FUNCTIONS



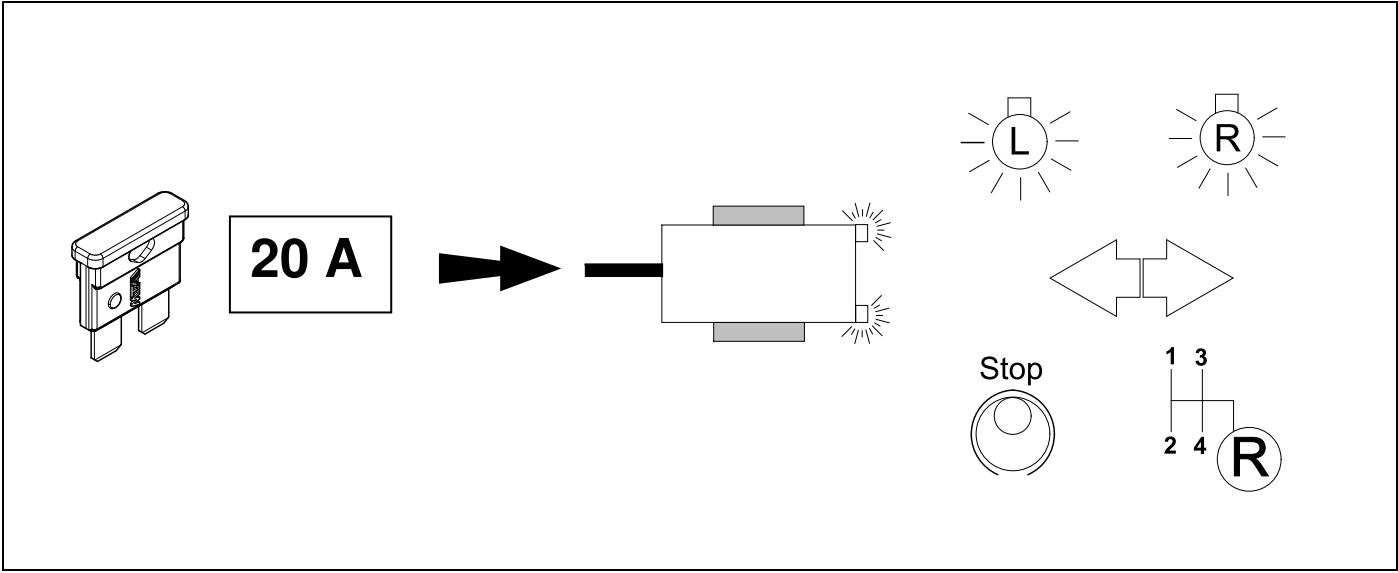
38

Bulb out condition indicated with sound from modul speaker

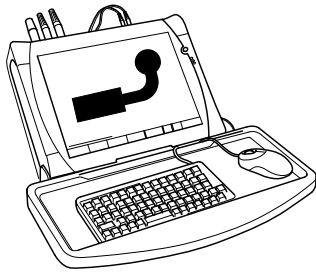


39

⇒ 22



40



With vehicle coding



40

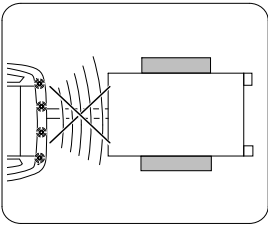


42

TSP
Trailer
Stability
Program

! Attention !

**These codings may be lost
after visiting an authorized workshop!**

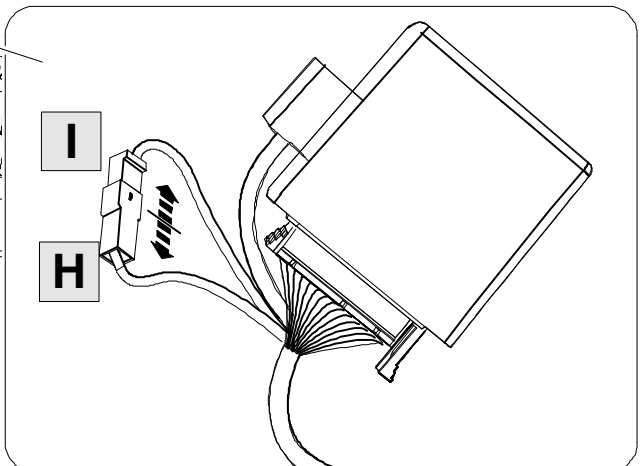
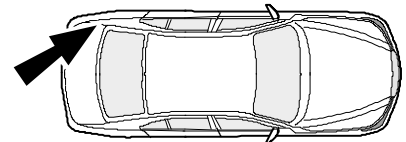
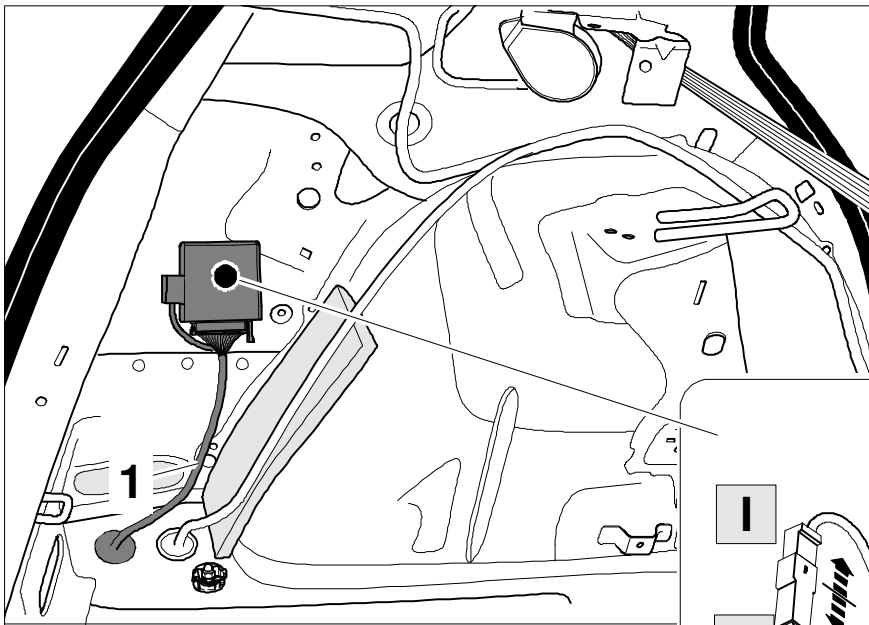


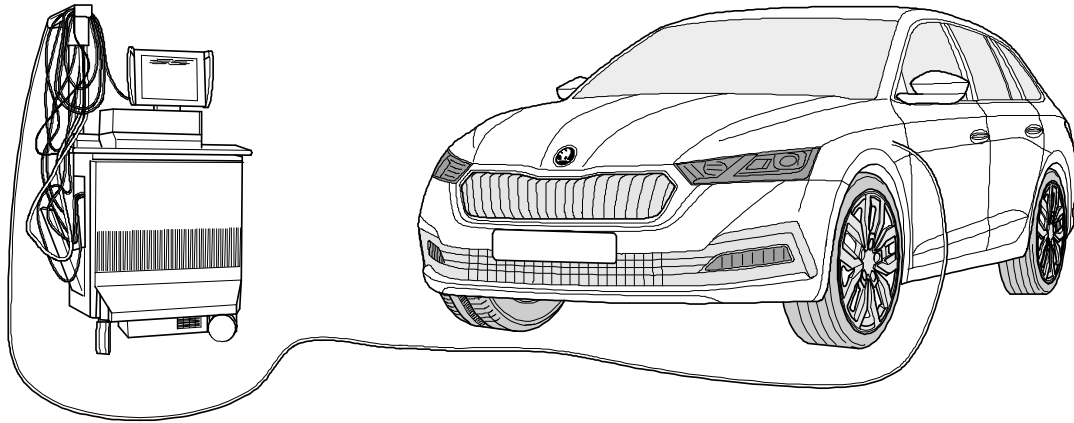
P 

Trailer
Assistent

41

OPTION vehicle coding





Coding with VCDS, please note:

The procedure described below for encoding and enabling the trailer mode only serves for a general orientation and can vary greatly depending on the model (motorisation / equipment). If necessary less or further control units will have to be adapted.

- **After connecting to VCDS, the "69 trailer function" controller has to be set to encoded in the _19 installation list.**
- **Coding EZE_09 (electronic central electric controller; Login 31347)**
Diagnosis / Networking plan / Controller self-diagnosis encode hitch_ecu > installed Vehicles from (MJ 2017>>) adjustment > channel-integration trailer control unit > installed
- **Coding ZKS_46 (Central module convenience system)**
trailer monitoring > put on active trailer control unit > installed
- **Coding_03 (Brake Electronics; Login 61378)**
Adjustment > channel - trailer stabilization, change value to > active
- **Encoding SWA_3C (Lane Change Assist)**
ECU for draw bar > with ECU for draw bar
- **Encoding SCH_17 (Dash panel insert)**
Trailer > yes
- **Encoding RFK_6C (reverse camera system)**
equipment_ahk > installed
- **Encoding STF_74 (chassis control system)**
Trailer > installed
- **Encoding EPH_76 (PDC controller)**
Trailer > trailer device can be removed manually
- **Encoding DiS_13 (controler distance control, possible Login 20103)**
Control module for towing sens > installed or Control module for trailer recognition > installed (Byte 03 Bit 03)
- **Encoding FFF_A5 (front sensor system controller)**
AAG > coded
- **Encoding HDE_6D (boot lid electronics controller)**
Trailer > installed

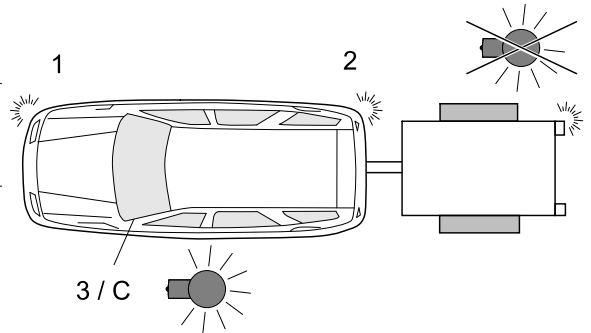
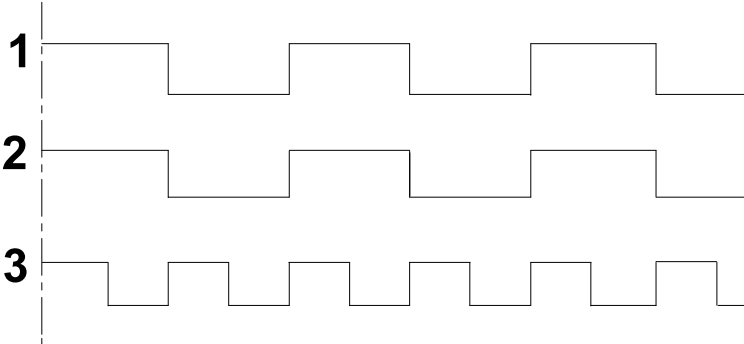
Important note on encoding and activating in trailer mode

The aforementioned settings are carried out in the vehicle's electrical system and saved locally. During general updates for the vehicle software (for example, within the scope of service or repair work) the settings may be overwritten and deleted under certain circumstances. At this case, the trailer mode activation has to be updated again locally after the update. Diagnostic information relating to the trailer mode that may appear during variance comparisons with the data saved in the manufacturer's works, may form the basis of the local activation

43

CHECK BULB OUT DETECTION

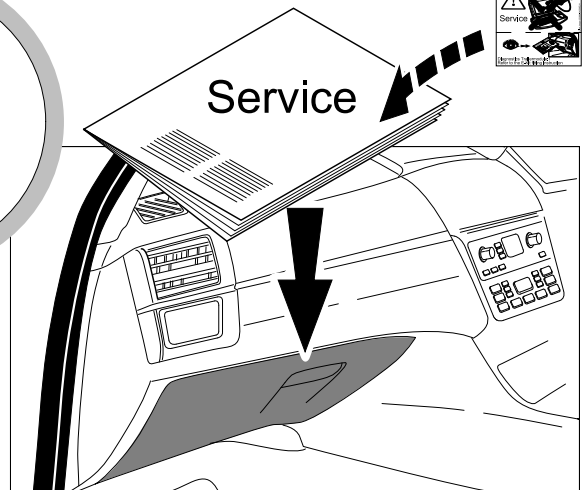
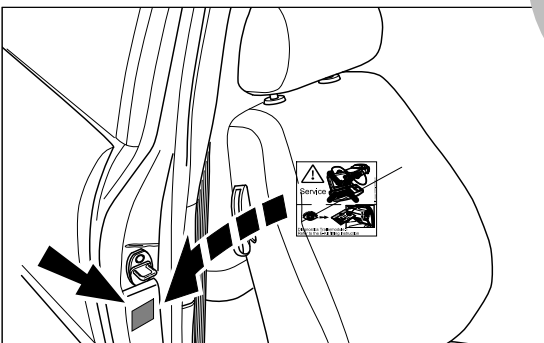
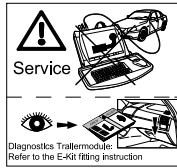
BULB OUT CONDITION INDICATED WITH INCREASED INDICATOR FREQUENCY



44



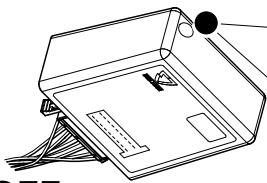
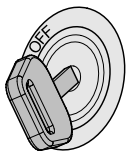
2x 12



Status LED für Eigendiagnose

Status LED for self-diagnosis

Operation support



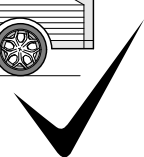
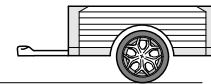
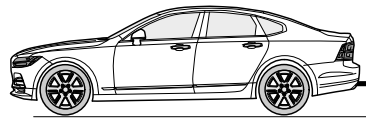
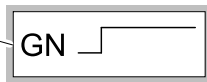
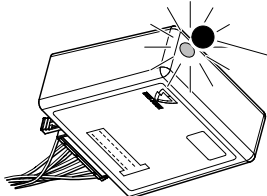
No CAN-Data =



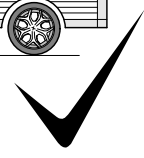
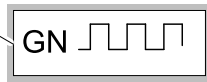
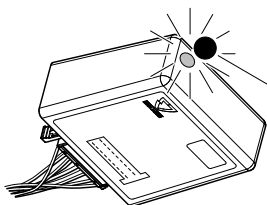
Standby / Sleepmode



Ignition OFF



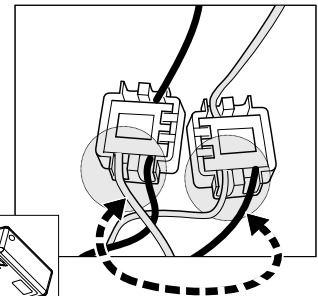
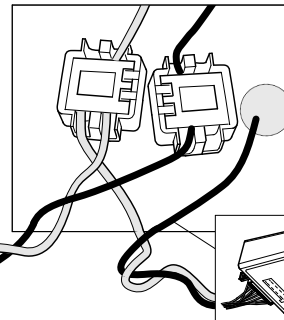
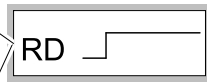
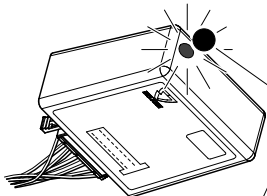
Ignition ON



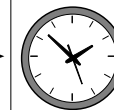
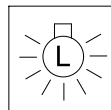
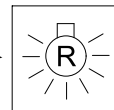
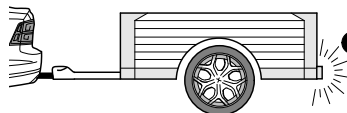
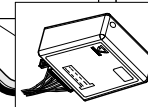
Ignition ON

Failure support

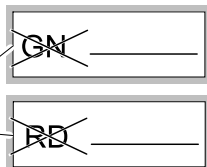
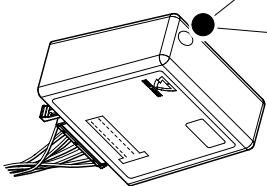
Check CAN-Data Wire



Ignition ON



1x max 5 min.

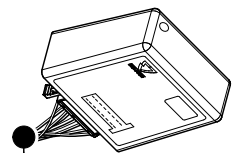
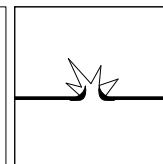
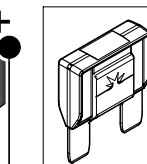
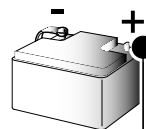


PIN 17

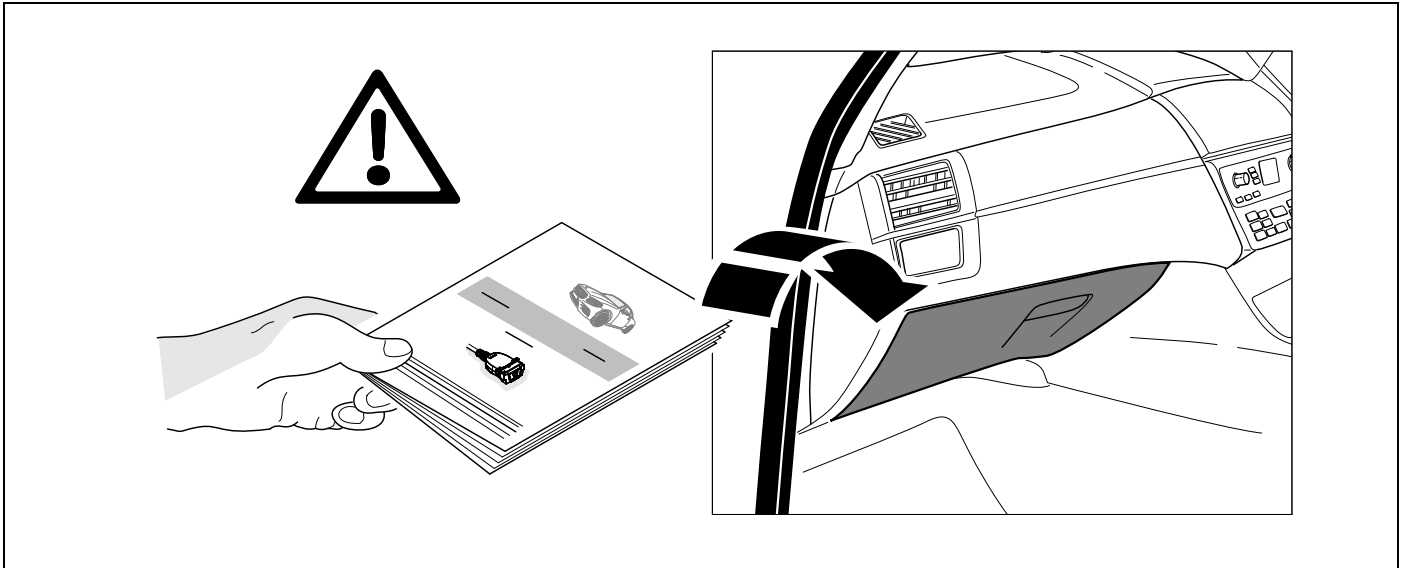
oder / or



PIN 1



Ignition ON



Subject to change in terms of construction, equipment and colour, and may contain errors.
The information and illustrations are non-binding.