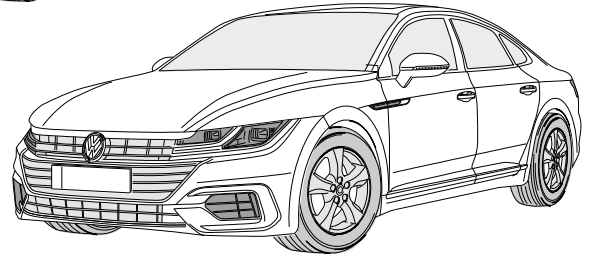
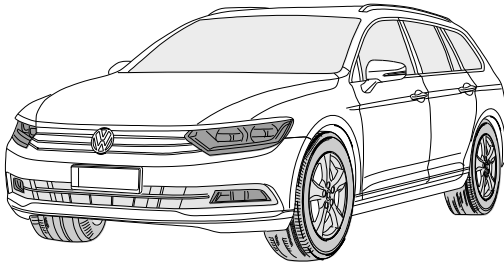
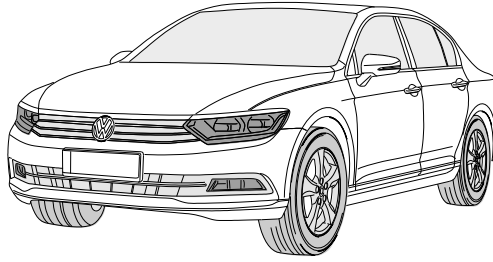


**Jaeger FLEX
2in1**



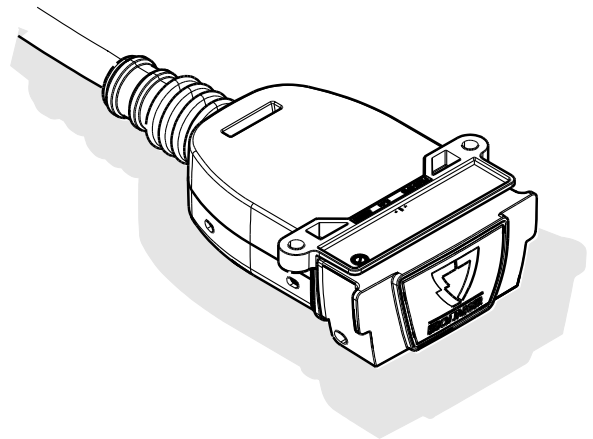
VW Passat B 8 Variant
VW Passat B 8 Limousine
VW Arteon

11/14 >>

11/14 >>

06/17 >>

750071



Installation instructions

Reference:

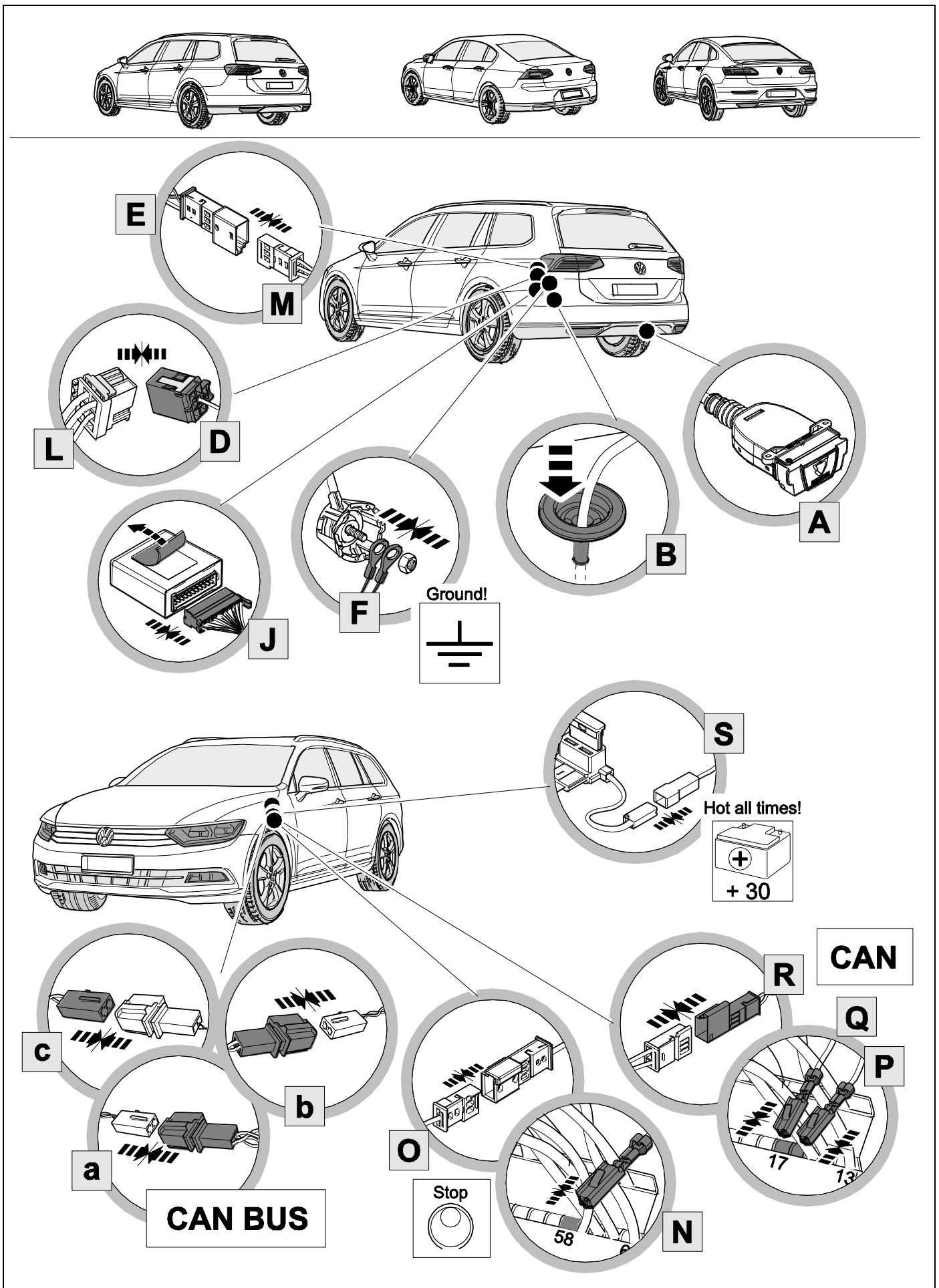
The following information must be reviewed before beginning the assembly:

The installation instructions are to be thoroughly read.

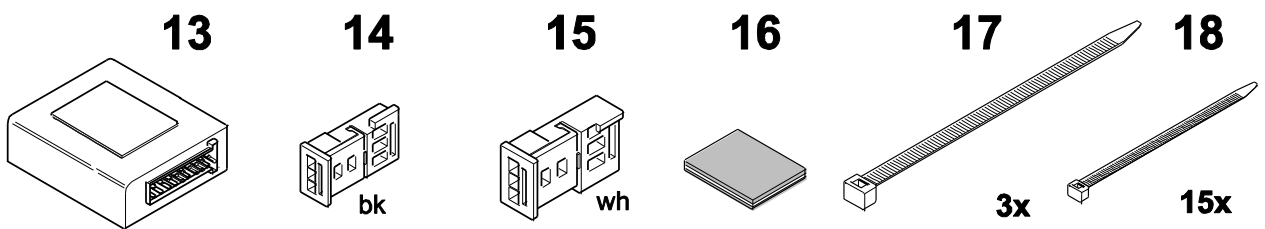
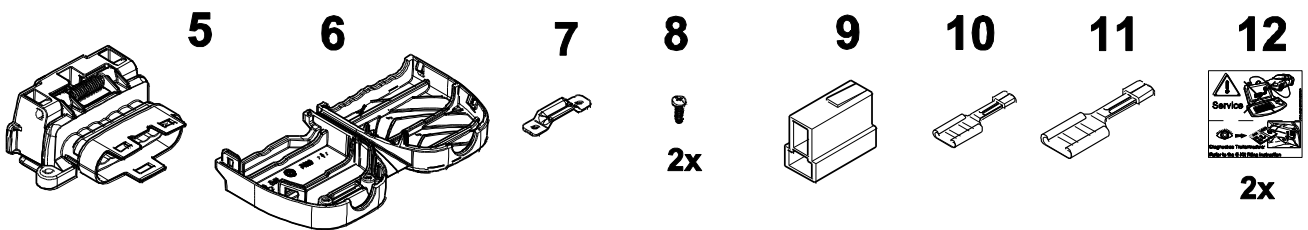
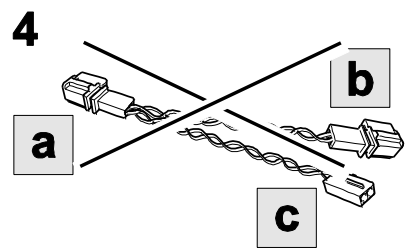
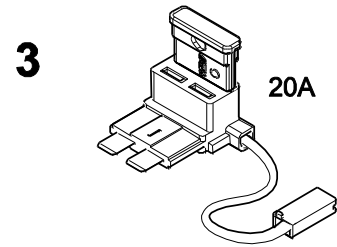
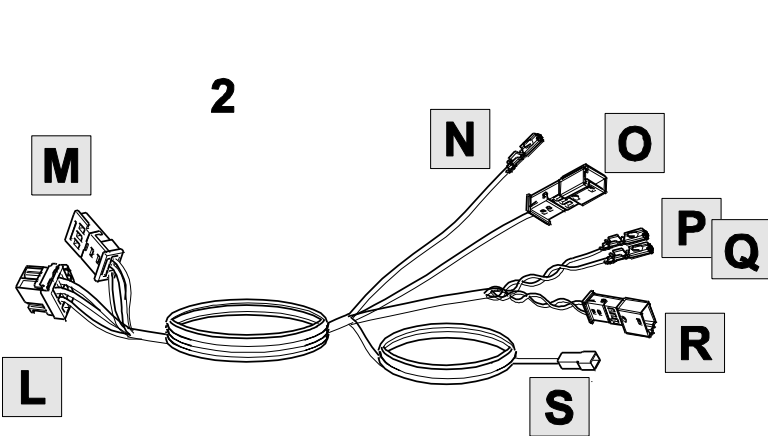
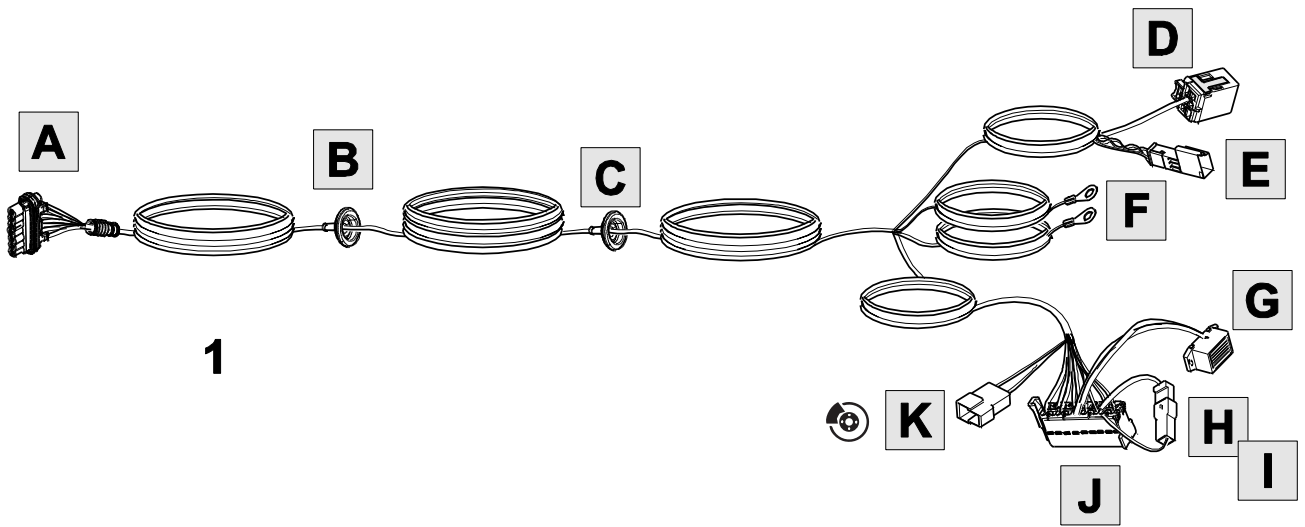
The installation should be carried out by qualified personnel with the relevant technical knowledge. The vehicle manufacturers' current technical notices and information on retrofitting must be followed. The removal and replacement instructions found in the current repair manuals must be followed.

It must be ensured that the vehicle is technically suitable for the installation of a trailer hitch.

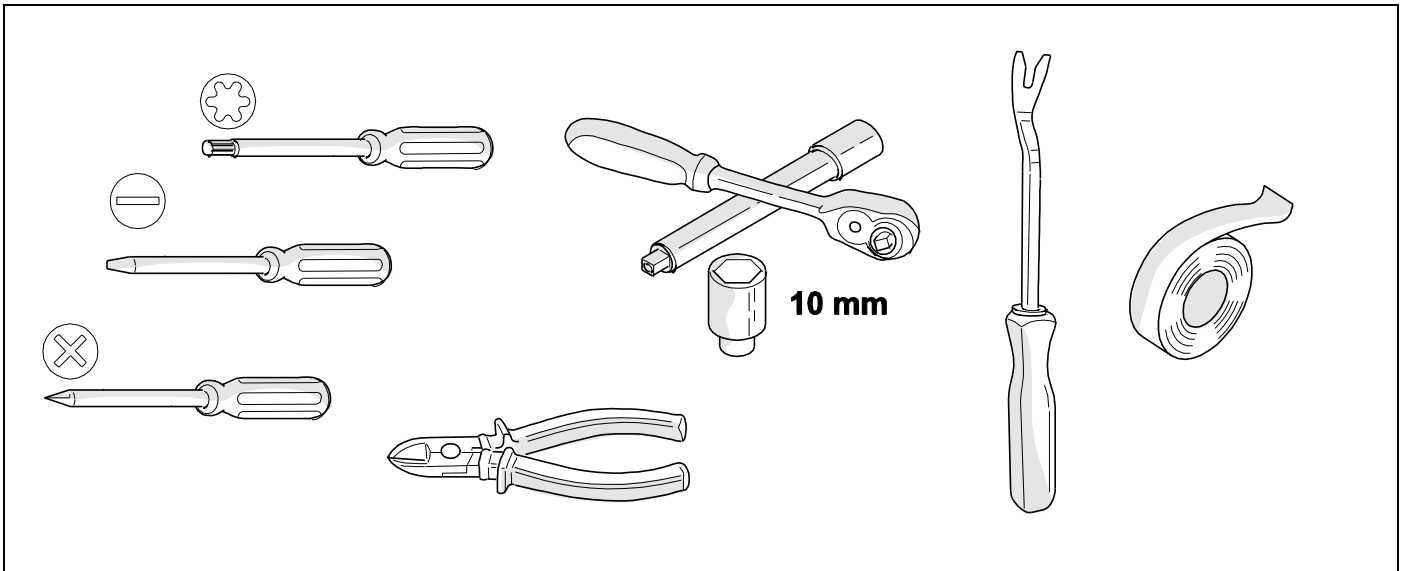
OVERVIEW



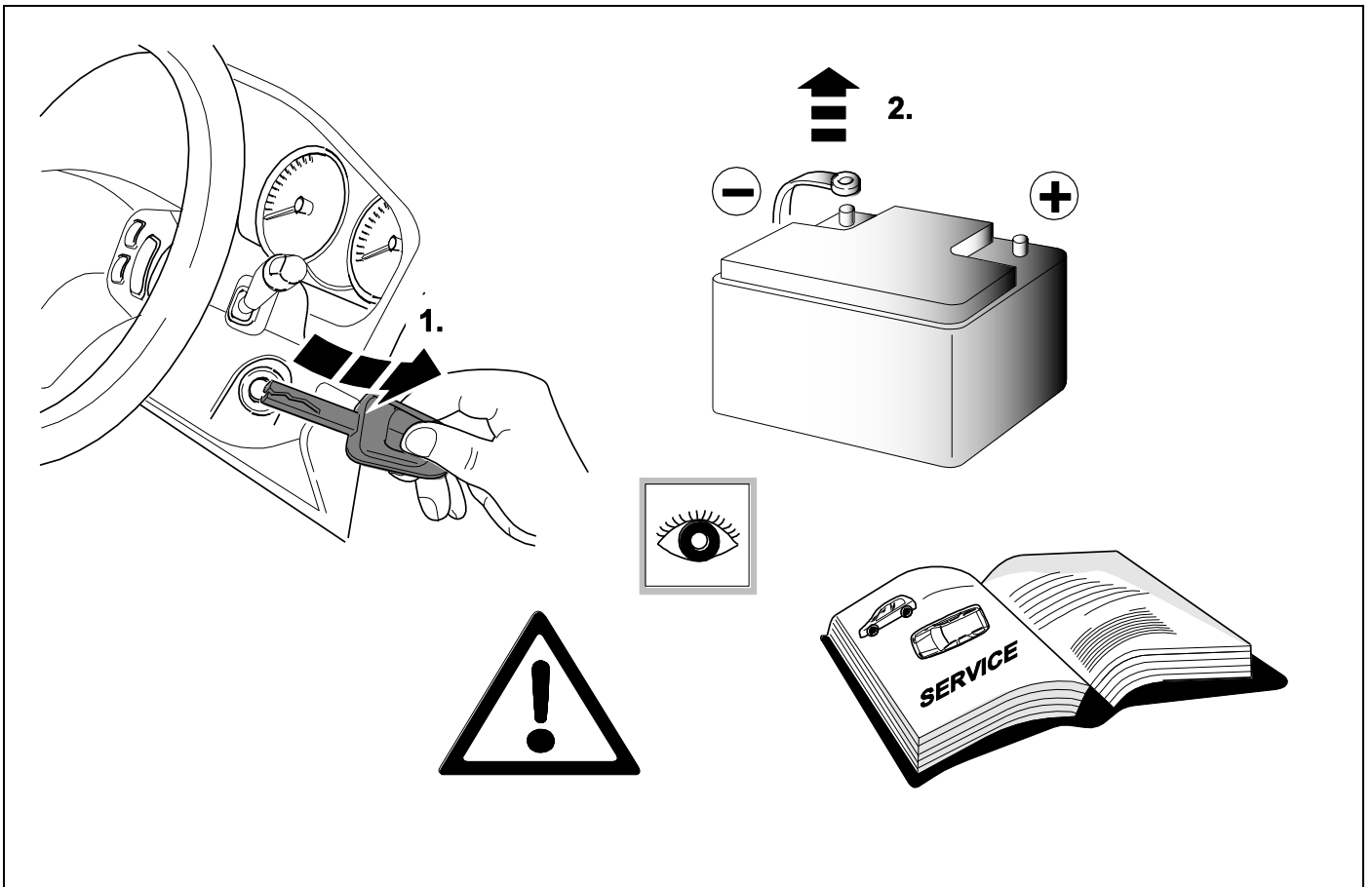
KIT



TOOLS

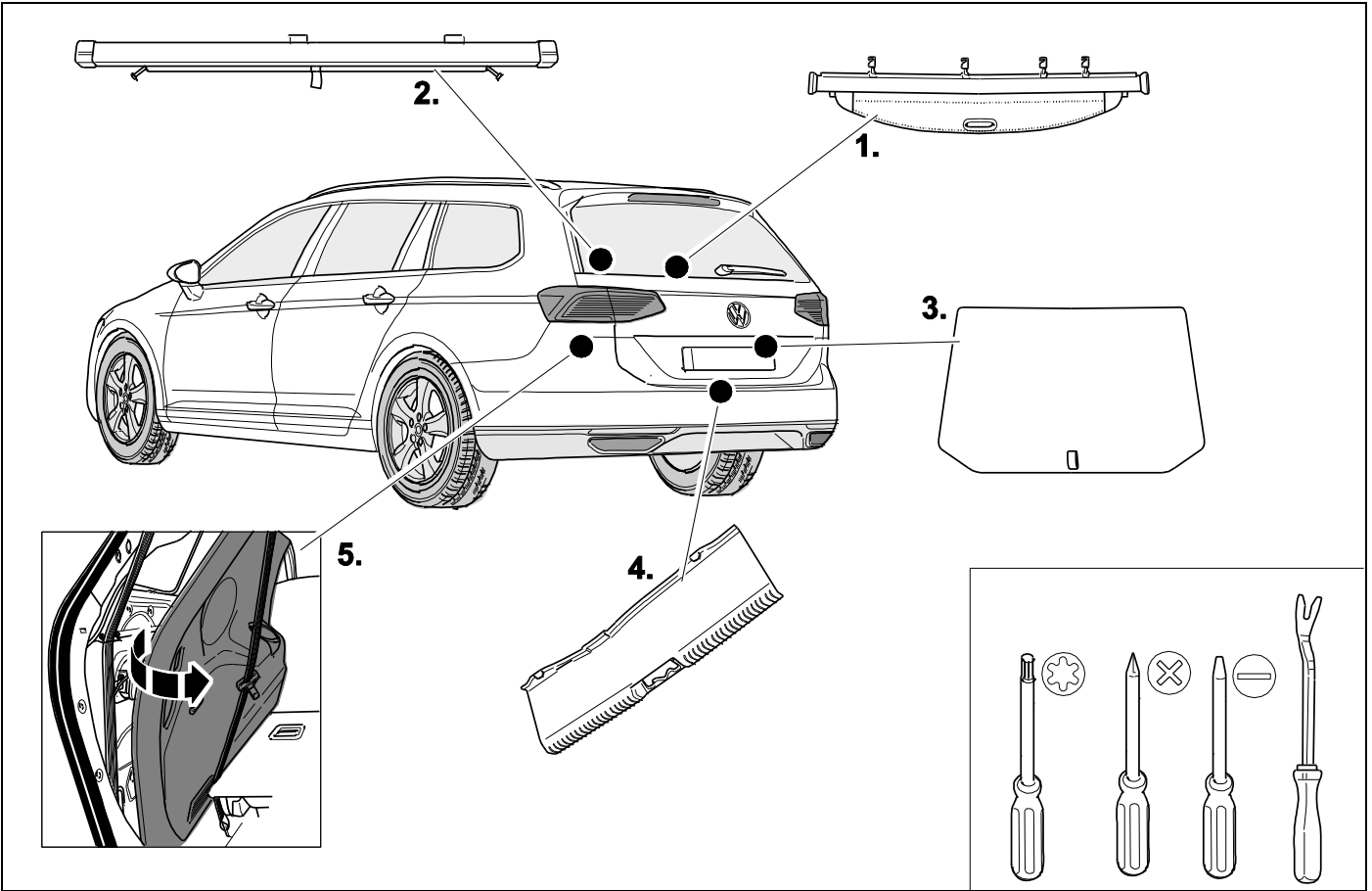


1



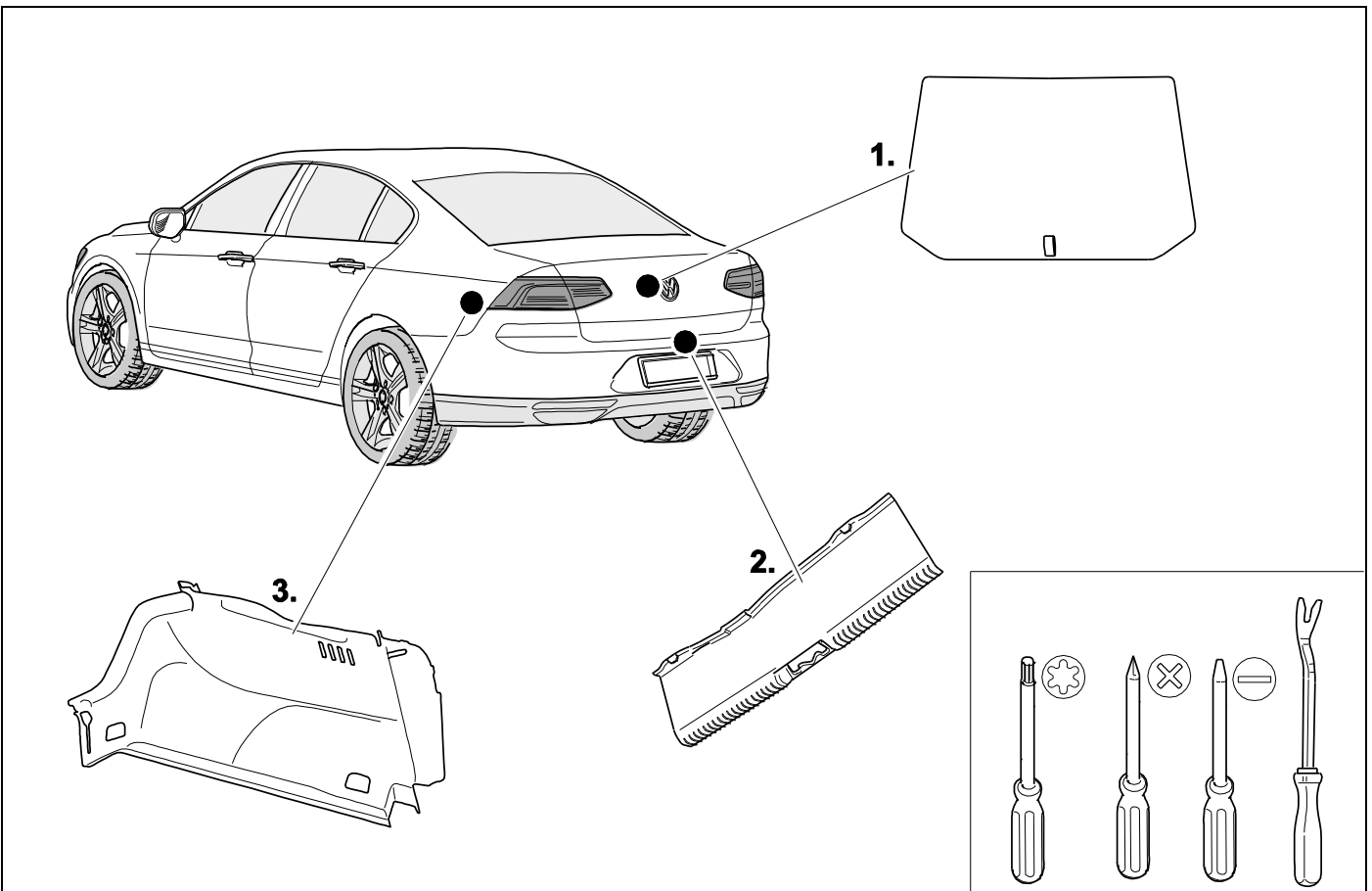
2

VARIANT



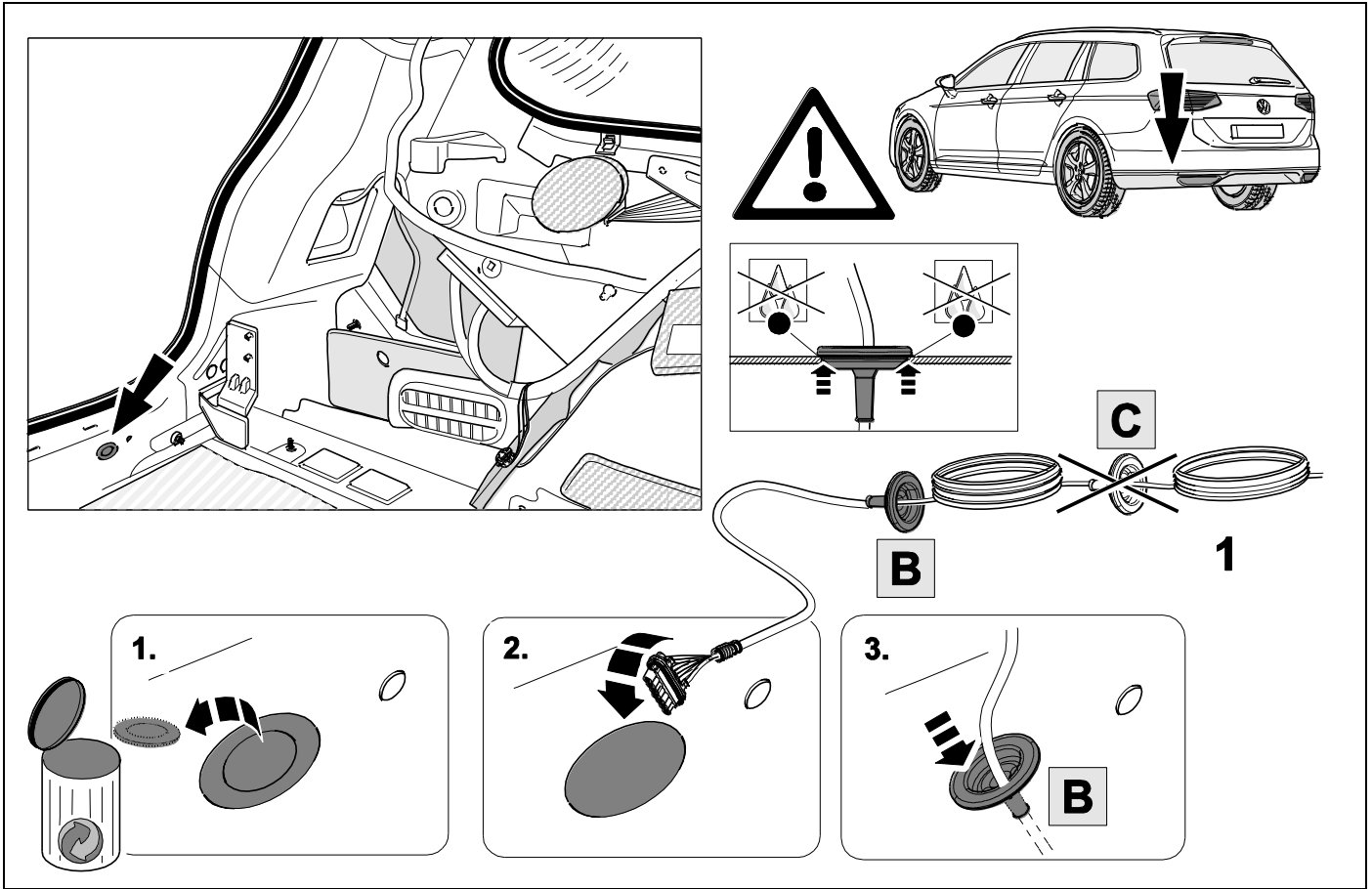
3 ARTEON

LIMOUSINE



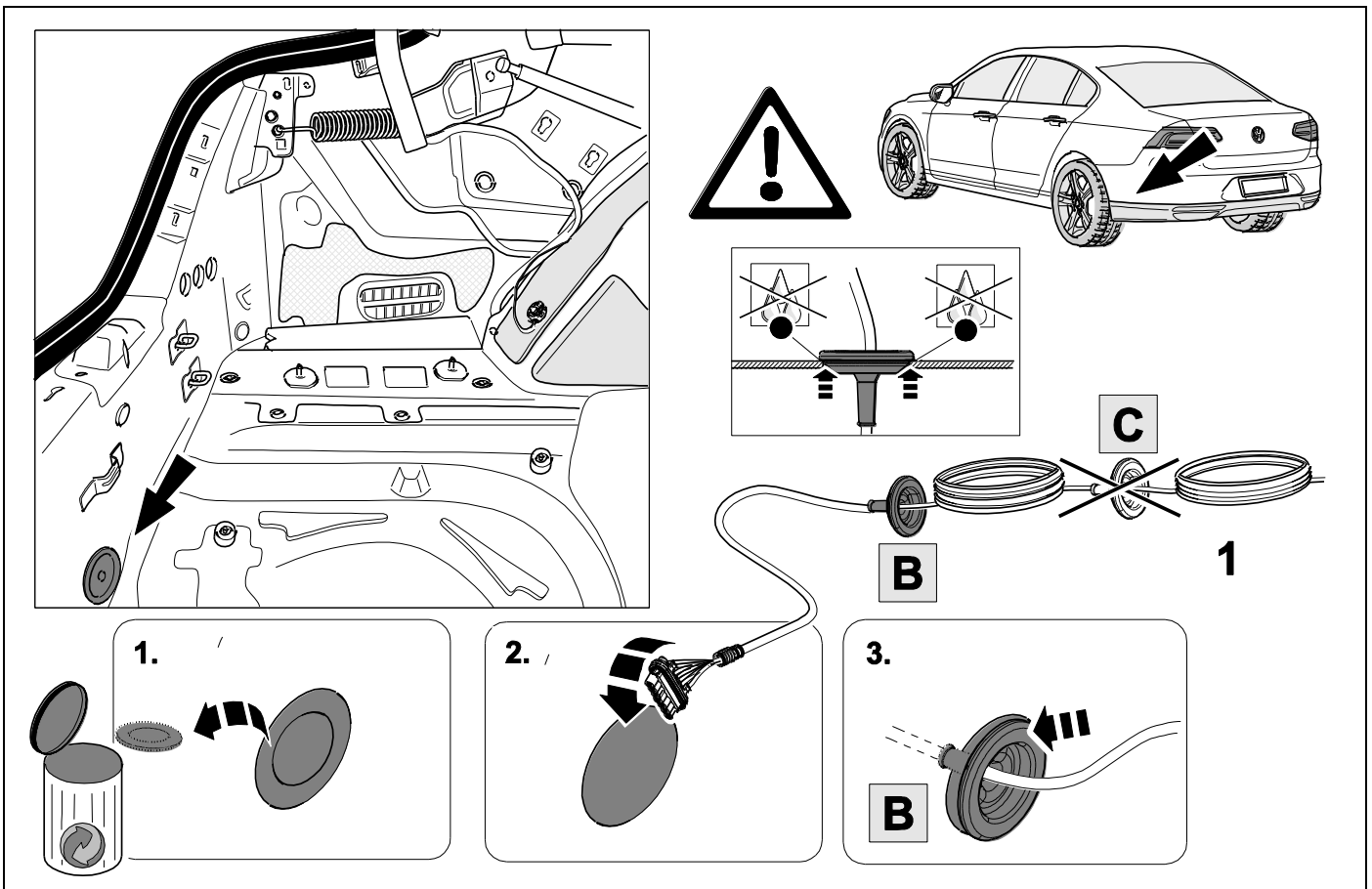
4

VARIANT

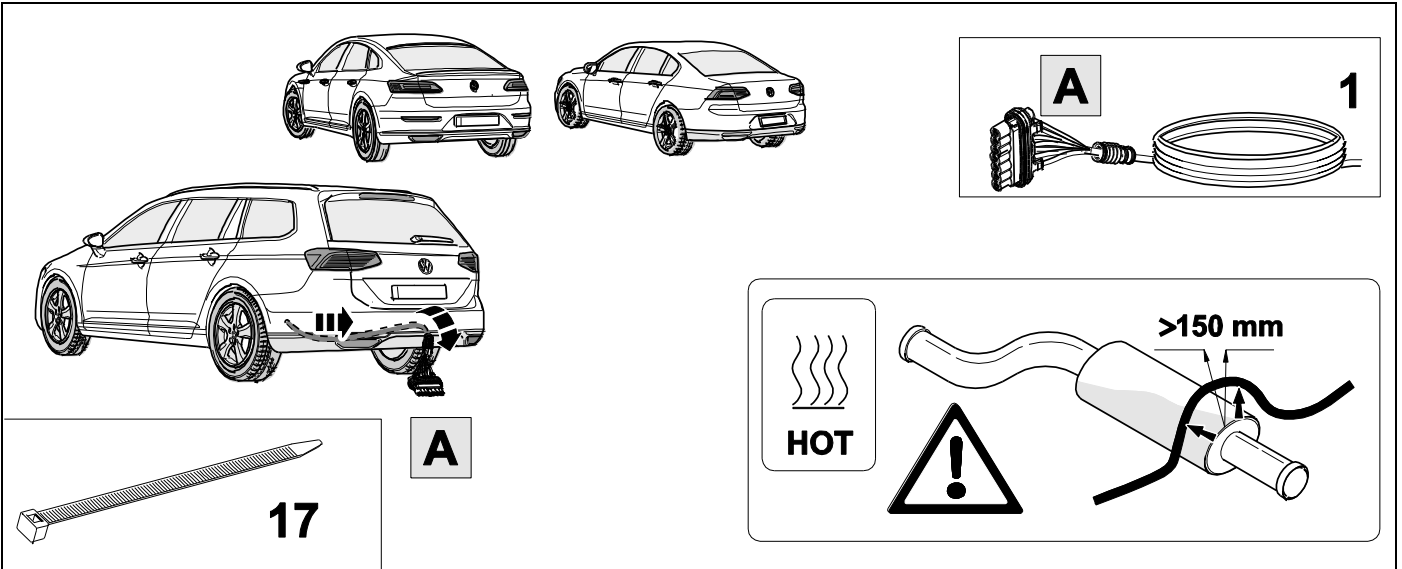


5 ARTEON

LIMOUSINE

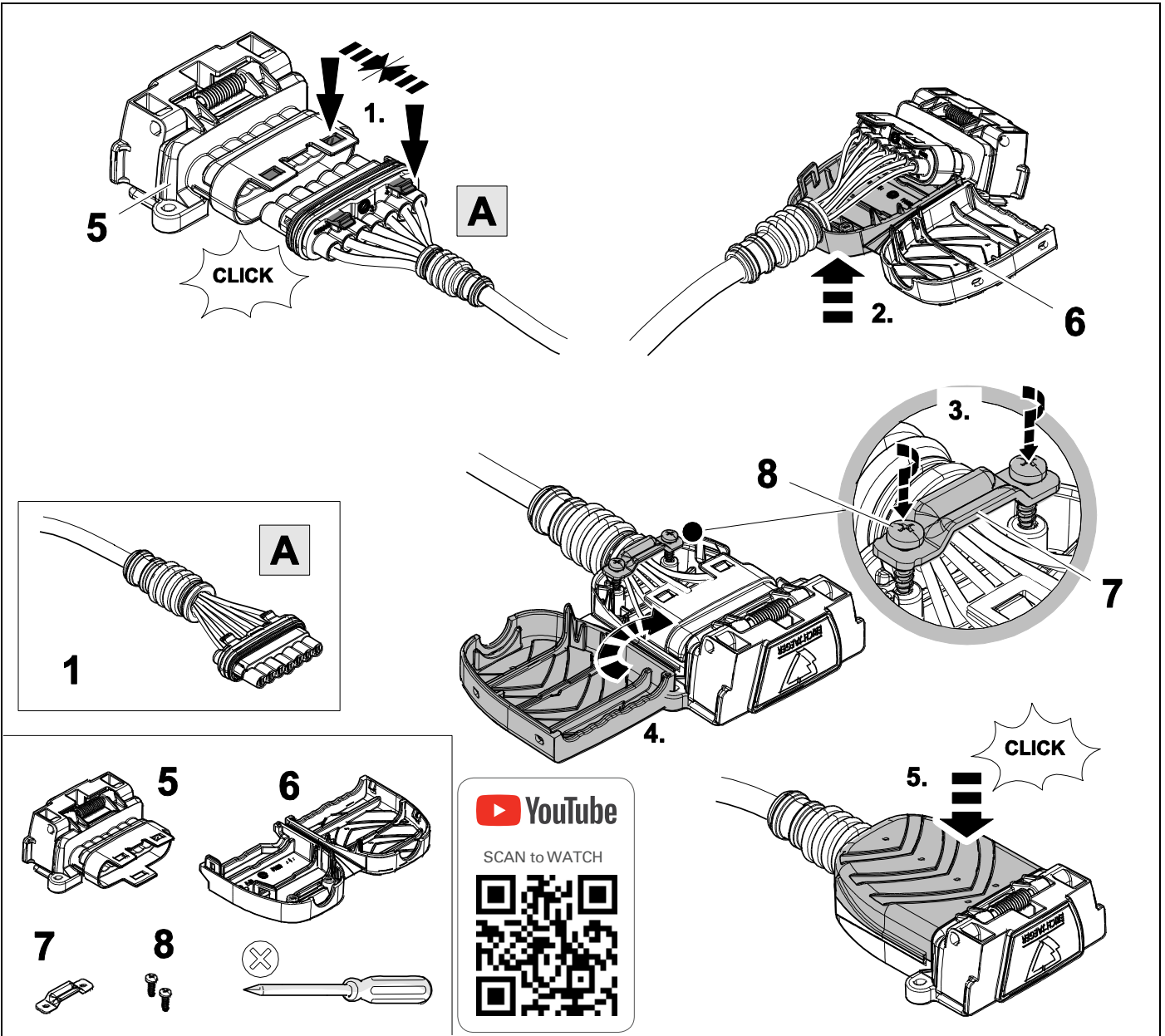


6

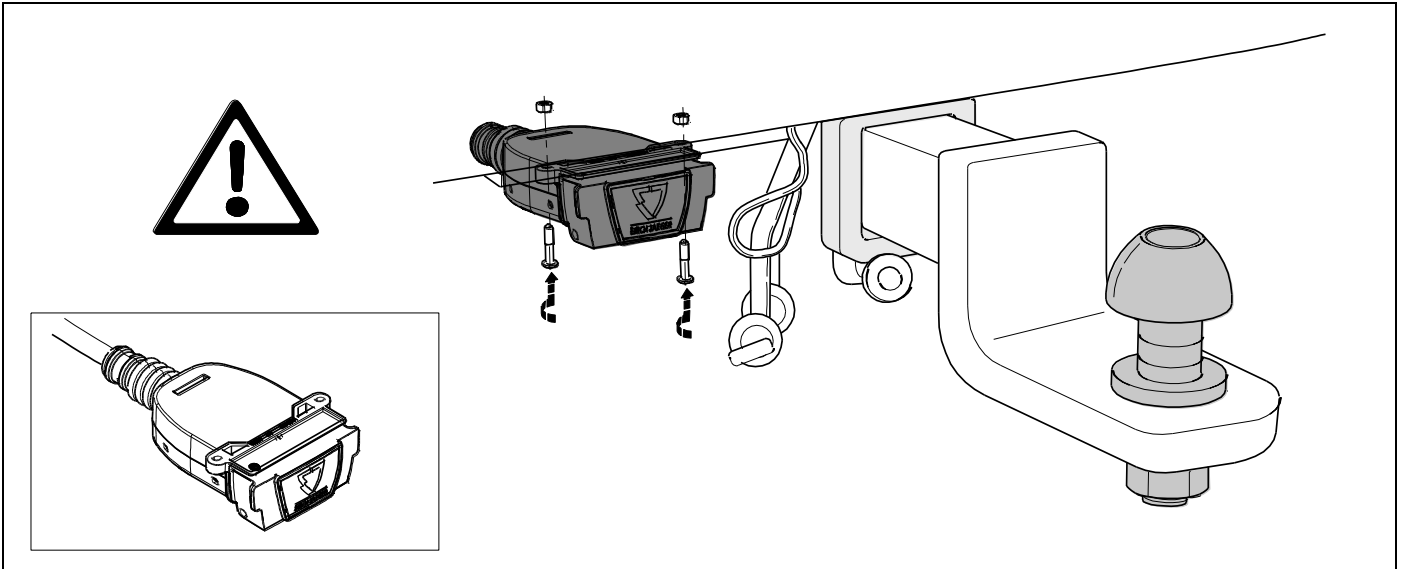


7

⇒ 9



8



9

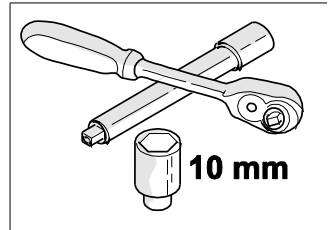
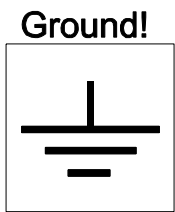
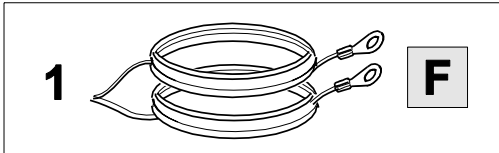
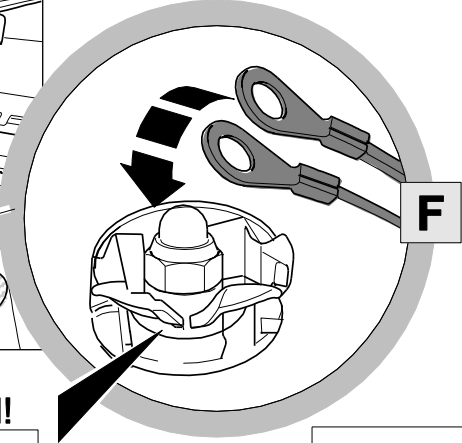
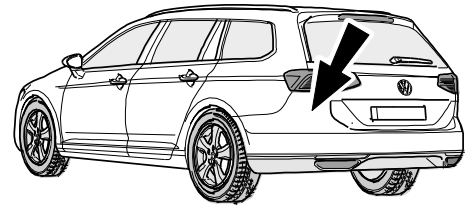
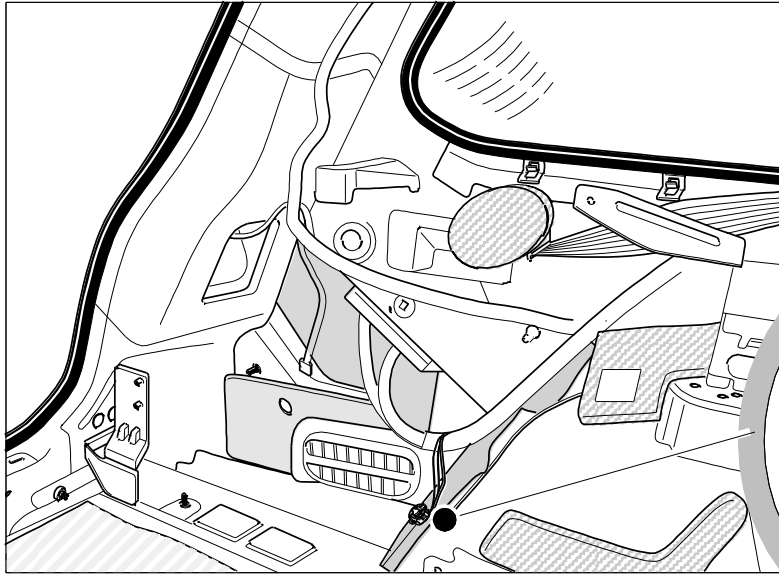
⇒ 10

1	ye	
2	bk	
3	wh	
4	gn	
5	bu	
6	rd	
7	bn	

10	bk	wh	gy	gn	rd	bu	ye	bn	pu	or	no
	black	white	grey	green	red	blue	yellow	brown	purple	orange	not occupied

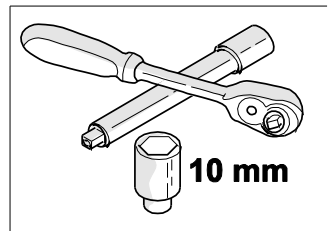
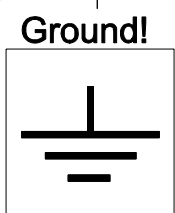
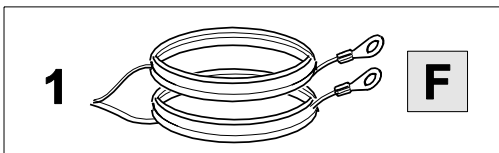
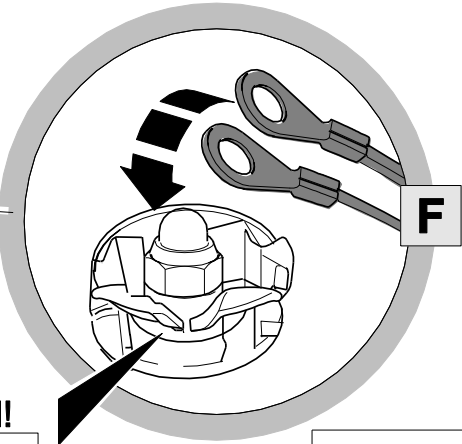
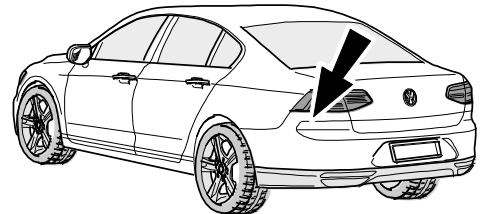
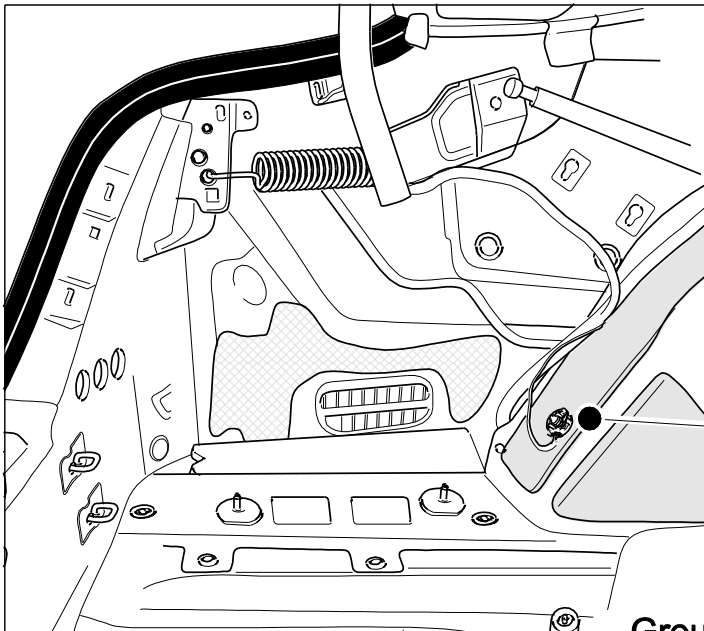
11

VARIANT



12 ARTEON

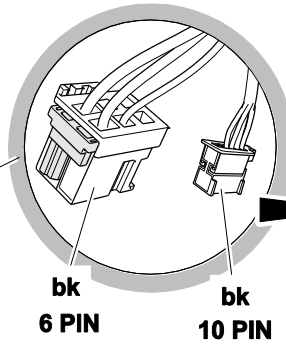
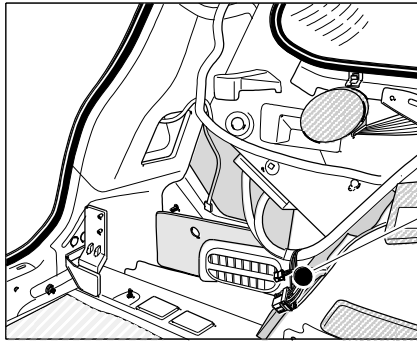
LIMOUSINE



13

⇒ 10

Vehicles with trailer preparation

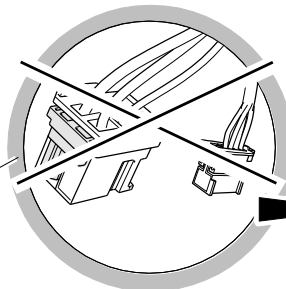
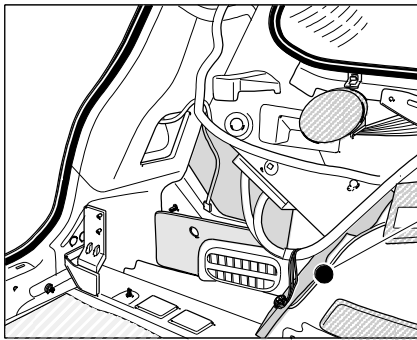


OPTION 1

14 ⇒ 20

34 ⇒ 46

Vehicles with trailer preparation



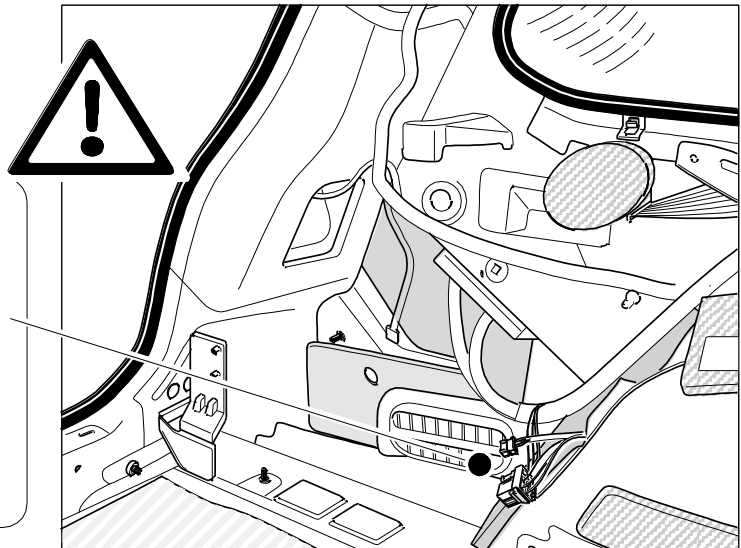
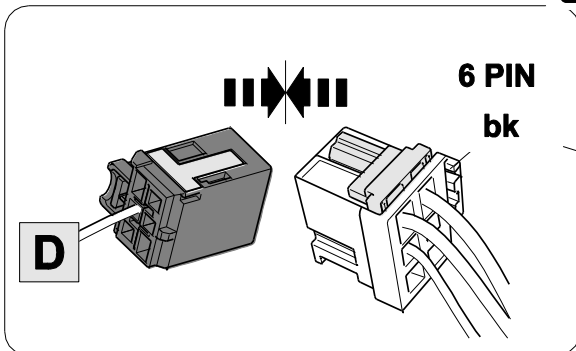
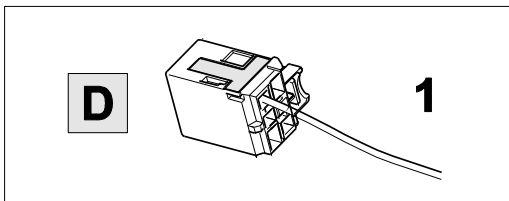
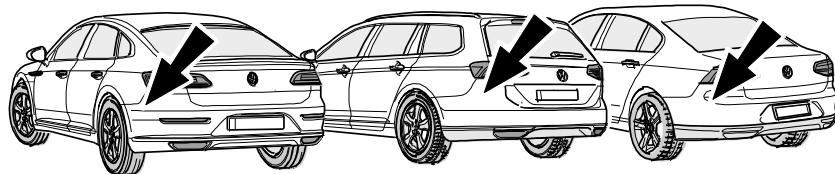
OPTION 2

21 ⇒ 46

14

⇒ 10

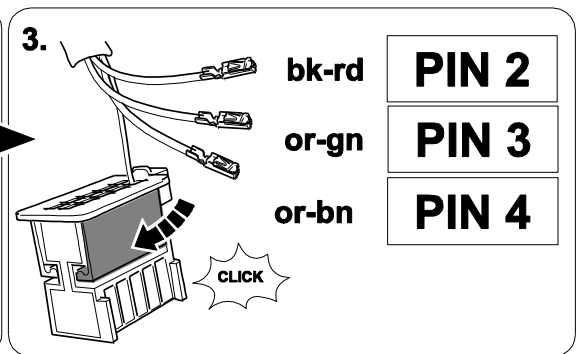
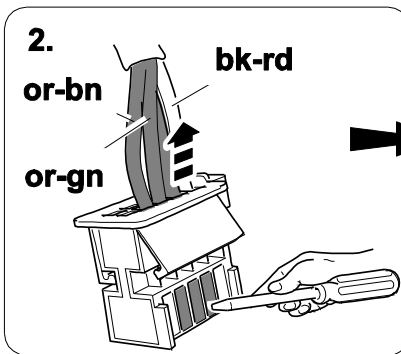
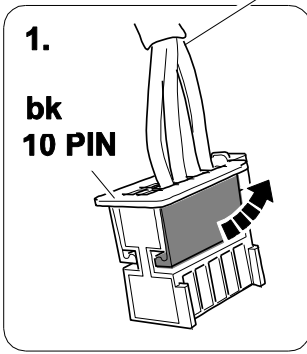
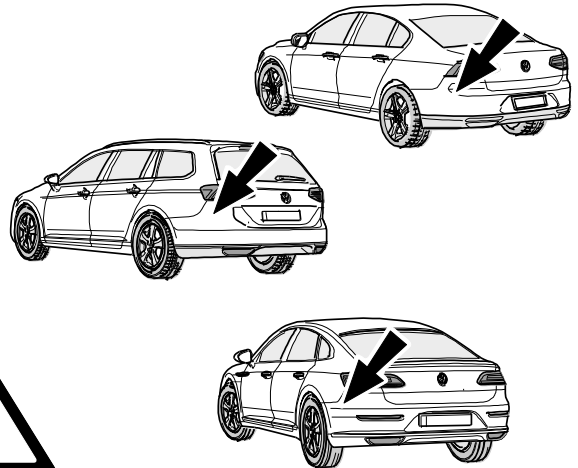
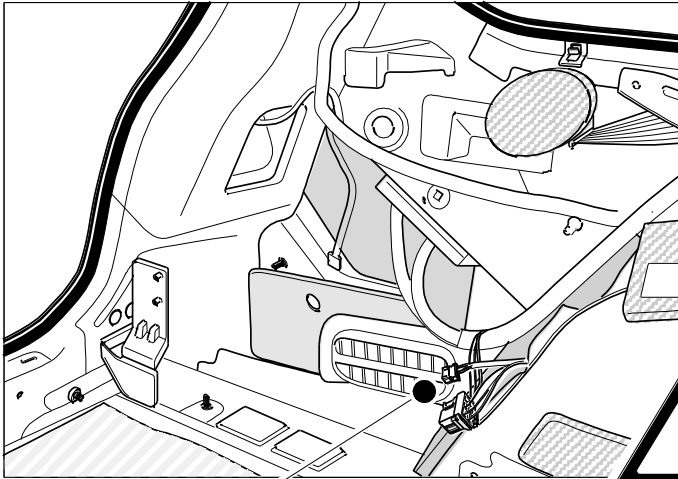
OPTION 1



15

⇒ 10

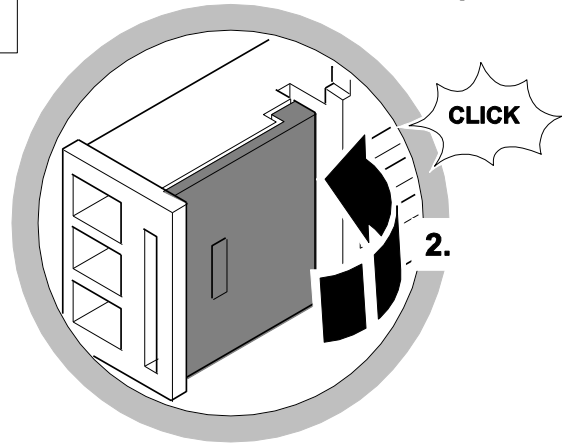
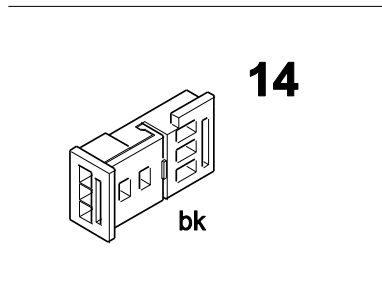
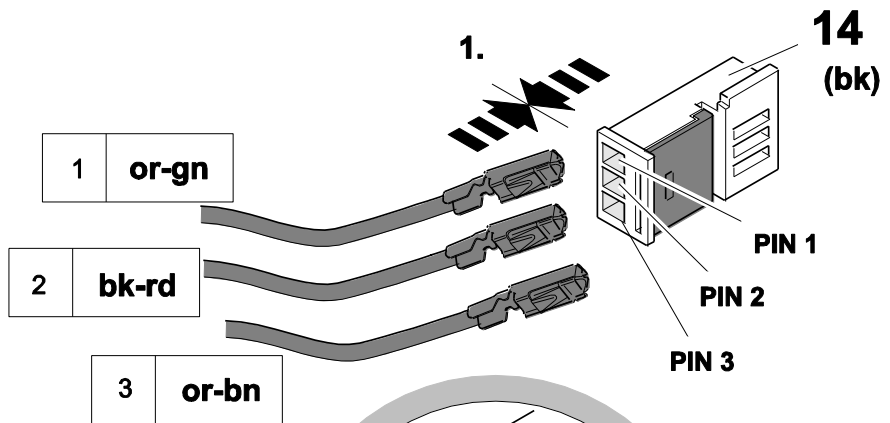
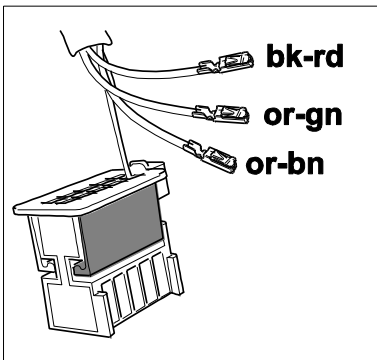
OPTION 1



16

⇒ 10

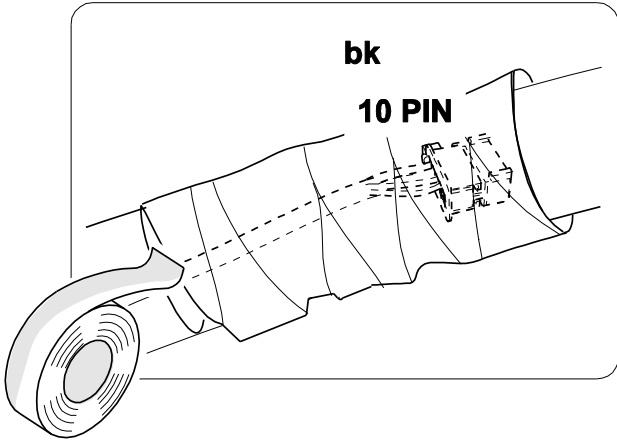
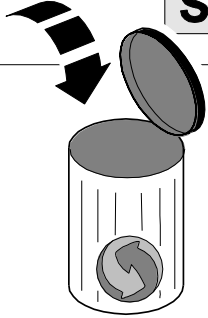
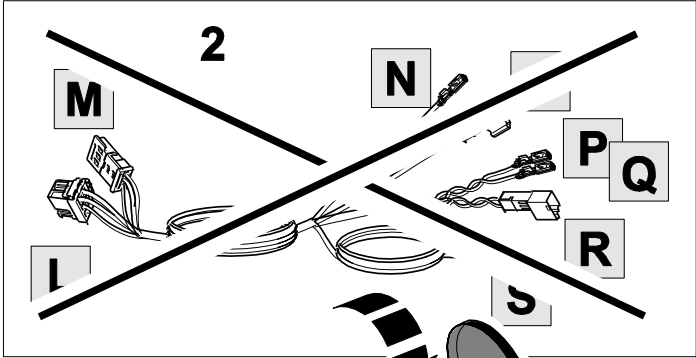
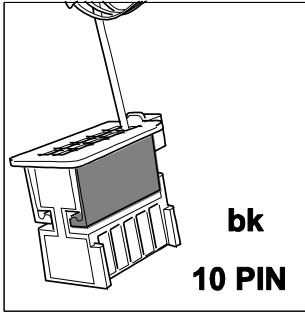
OPTION 1



17

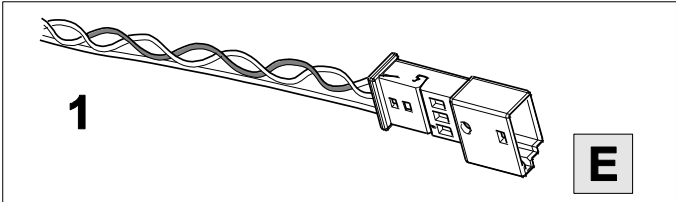
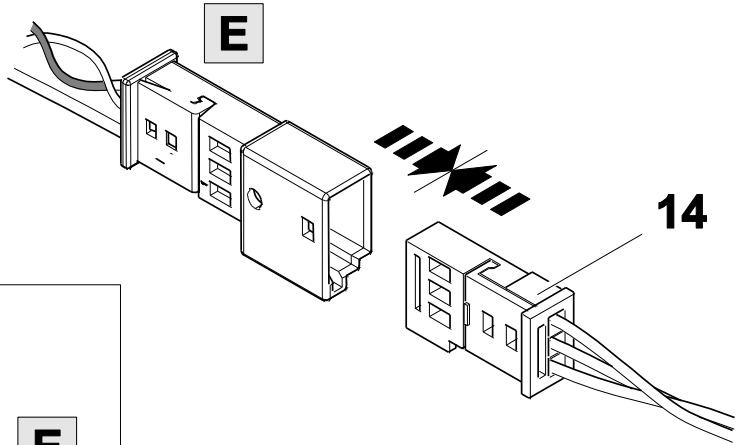
⇒ 10

OPTION 1



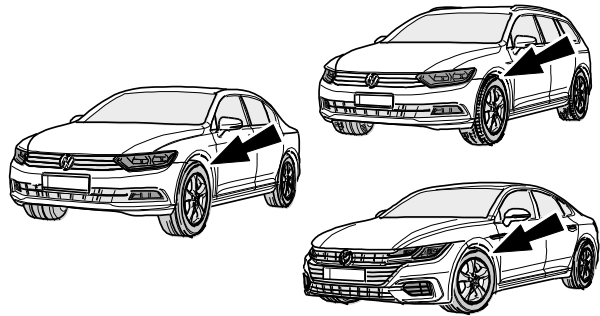
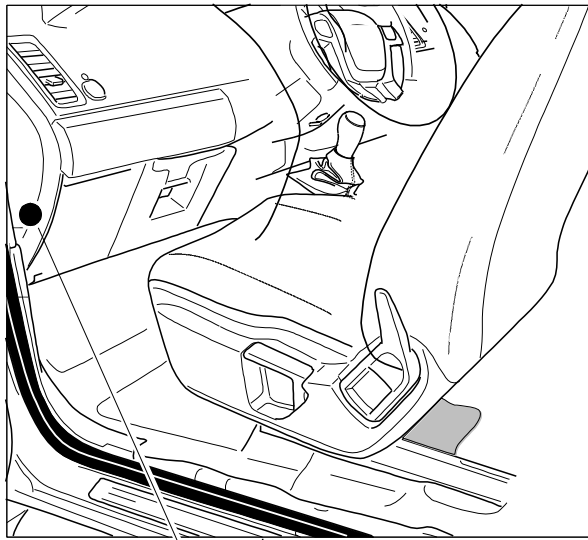
18

OPTION 1

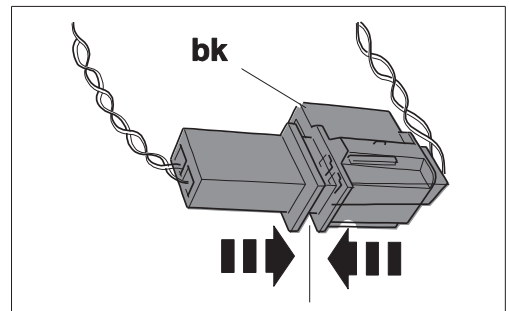
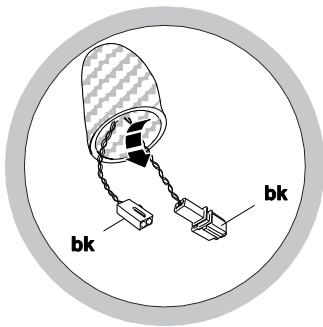


19

OPTION 1

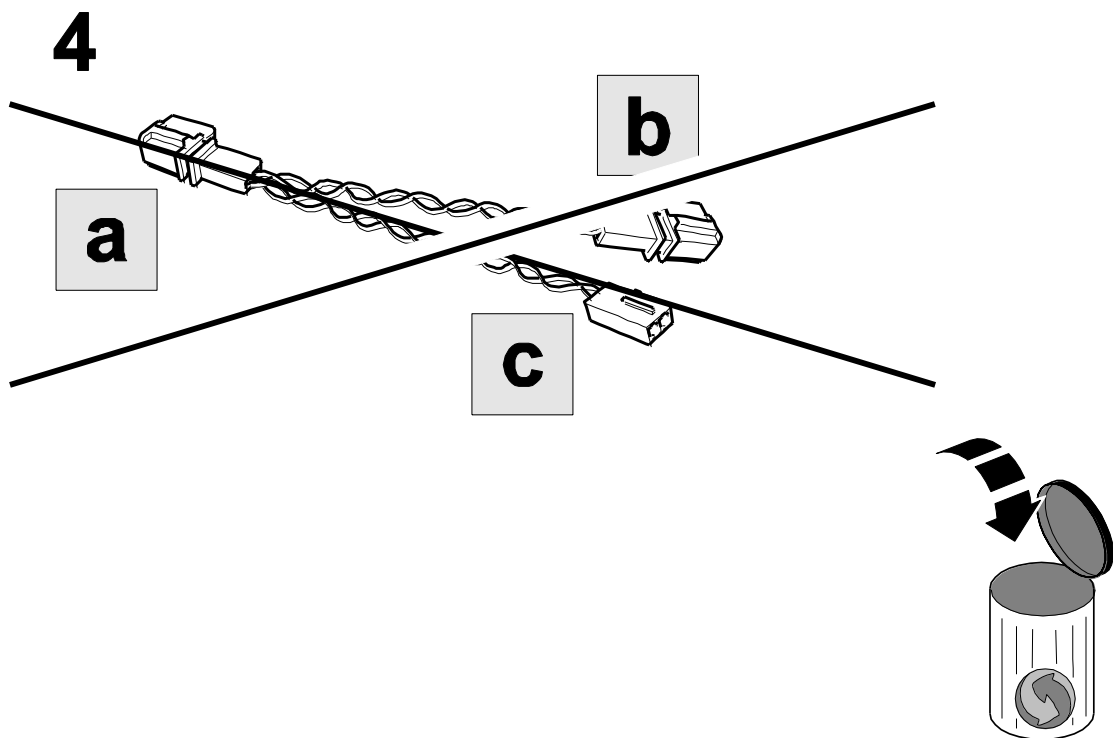


Find the two black connectors in the area shown (Behind the side panel) by pulling them from a foam sleeve and connect them to complete the CAN circuit. Look carefully as they are contained in a foam cover and can be hidden behind another harness.



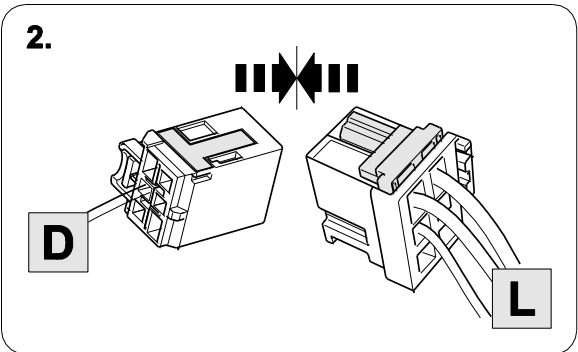
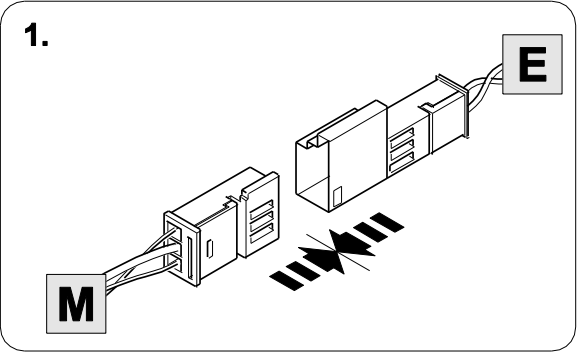
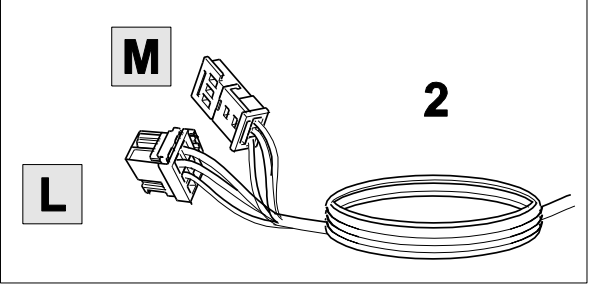
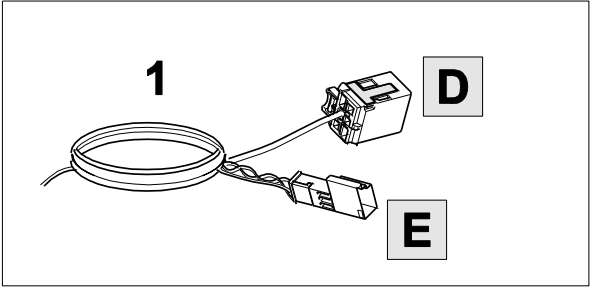
20

OPTION 1



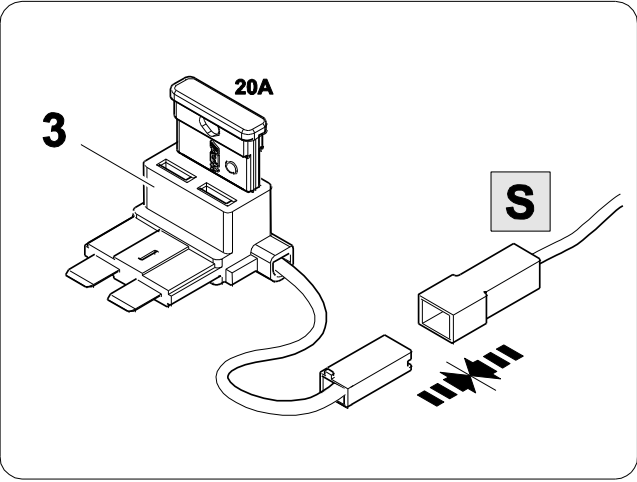
21

OPTION 2

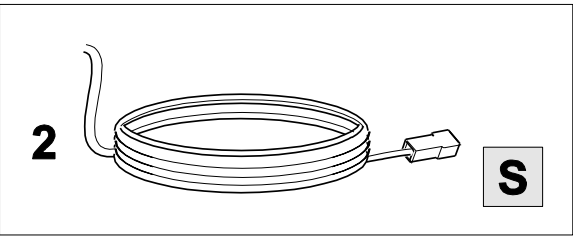
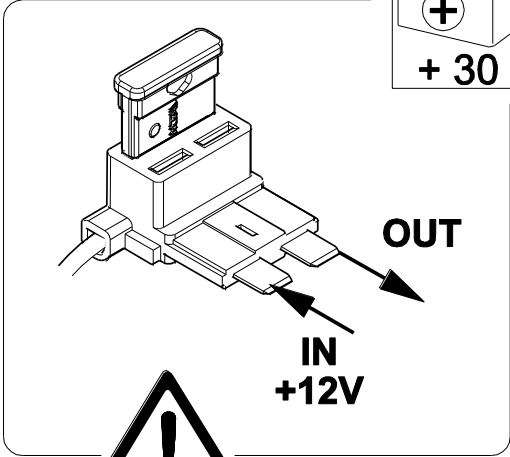
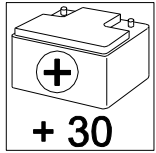


22

OPTION 2



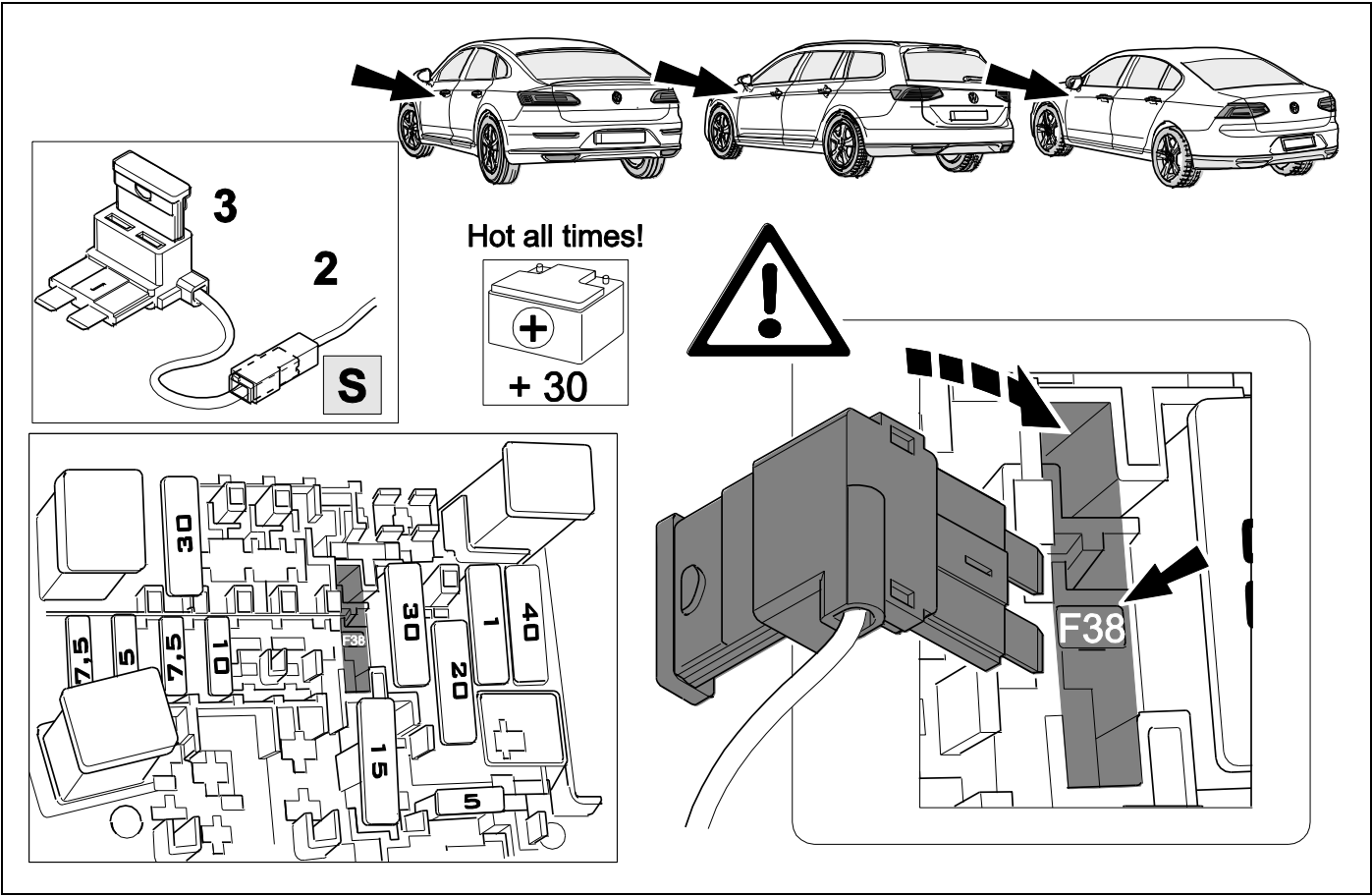
Hot all times!



23

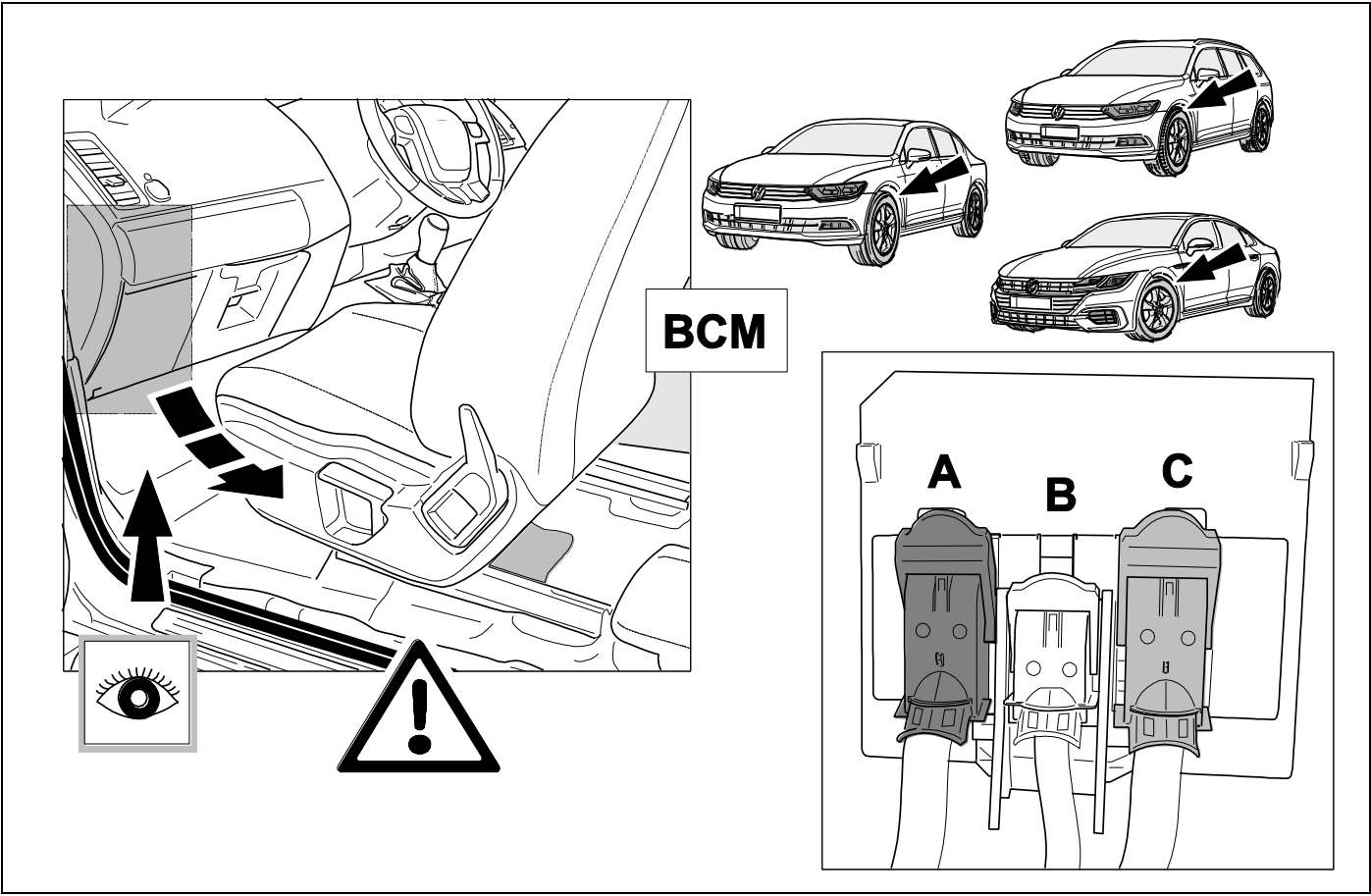
⇒ 42

OPTION 2



24

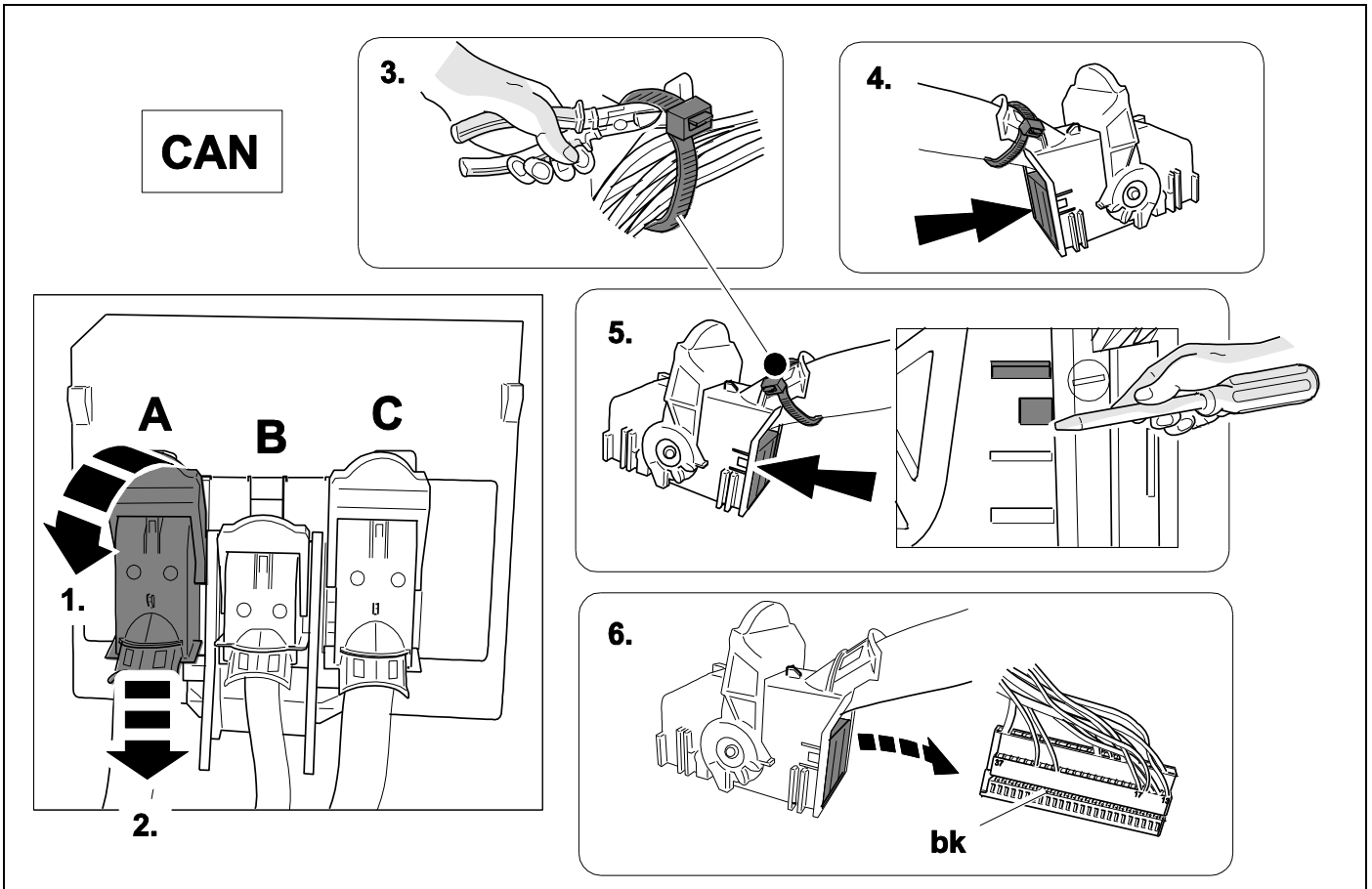
OPTION 2



25

⇒ 10

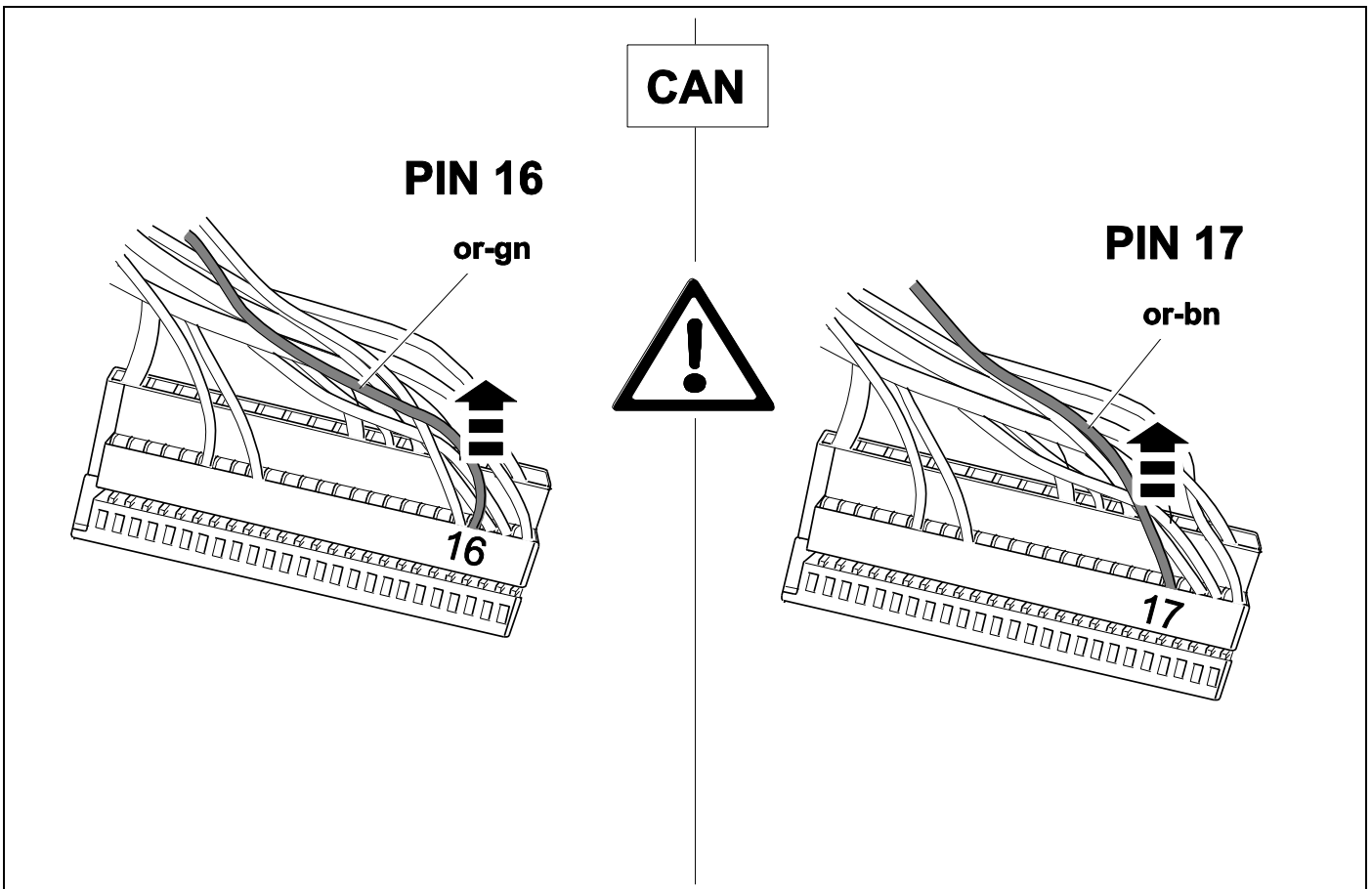
OPTION 2



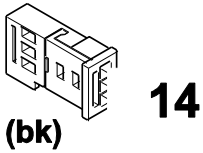
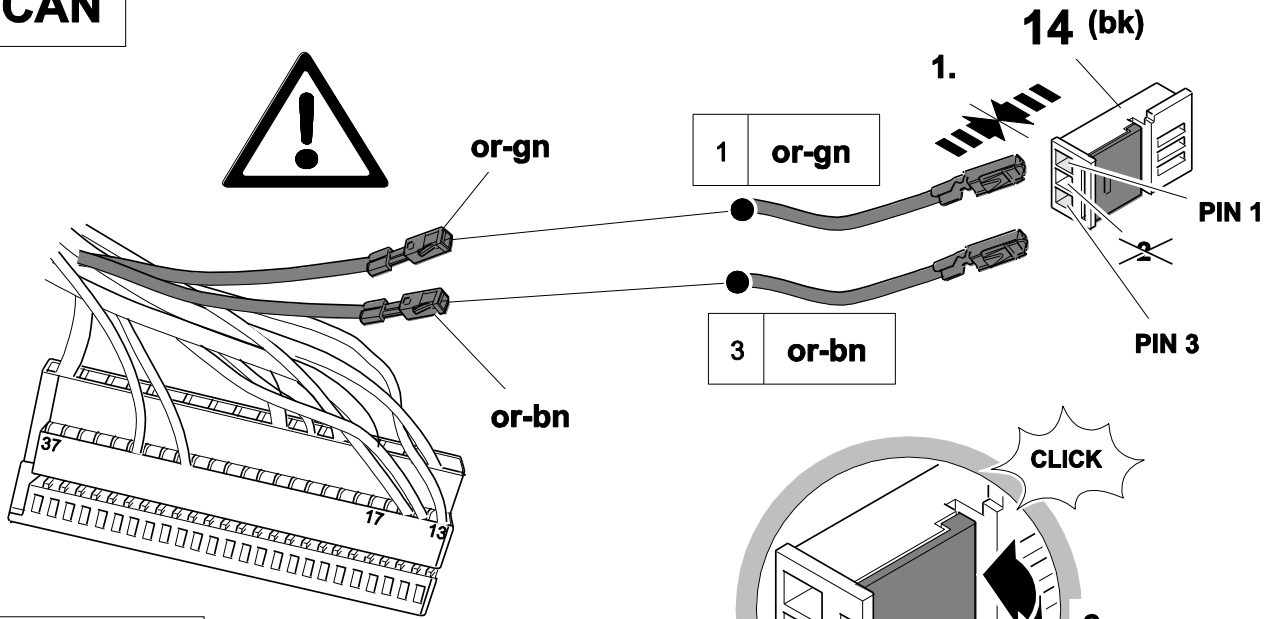
26

⇒ 10

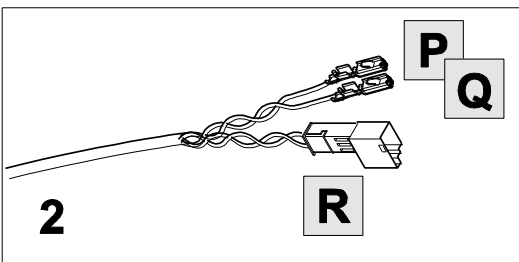
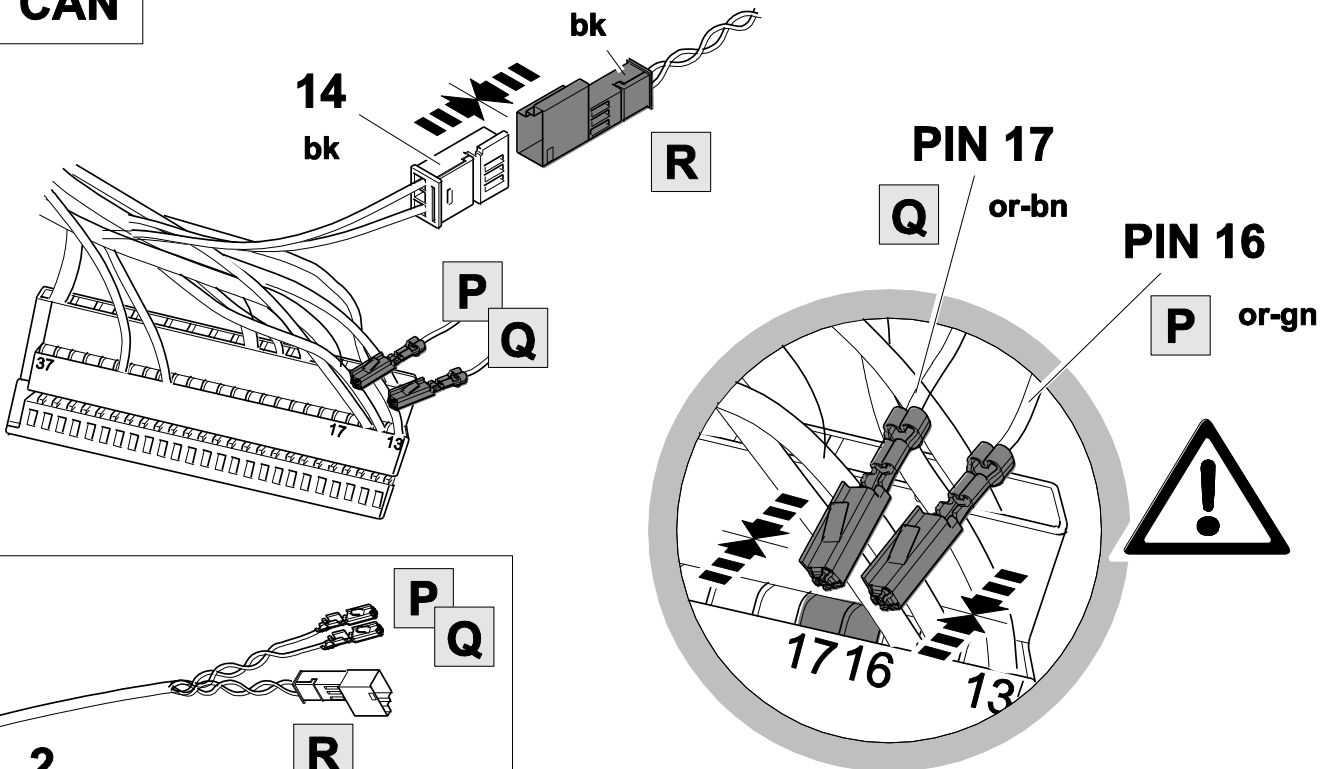
OPTION 2



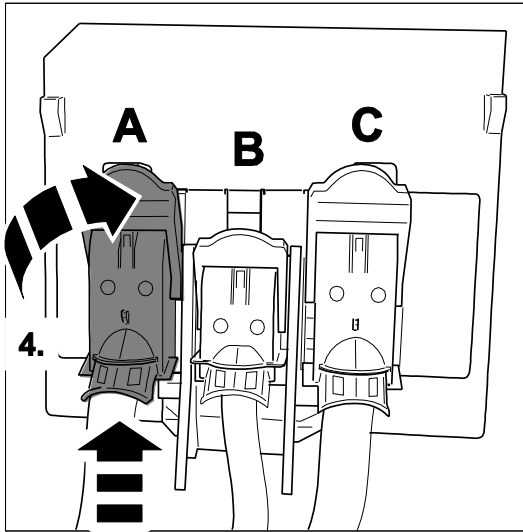
CAN



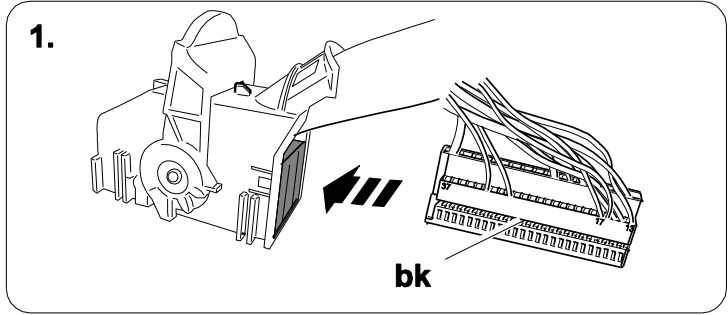
CAN



CAN

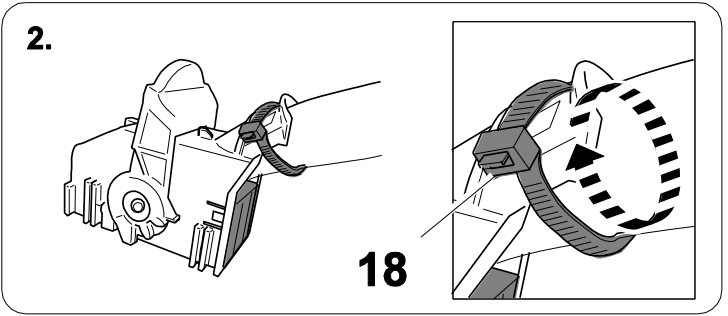


3.



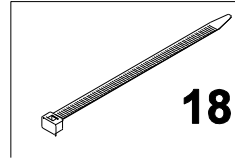
1.

bk



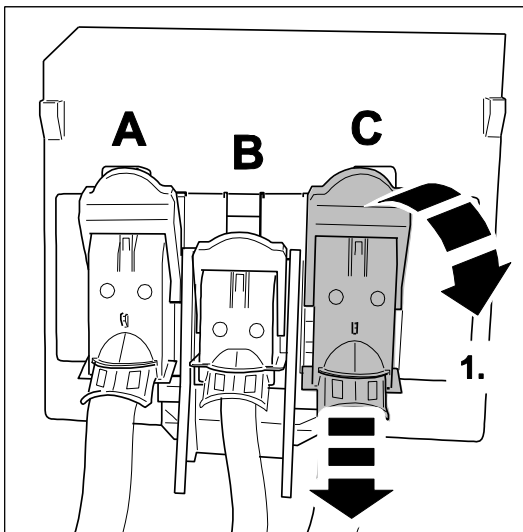
2.

18



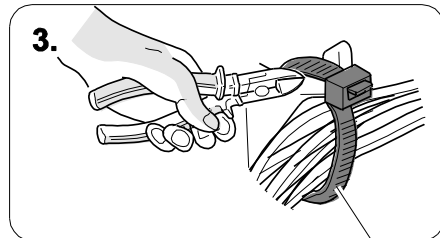
18

CAN

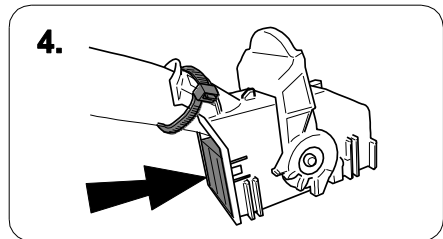


1.

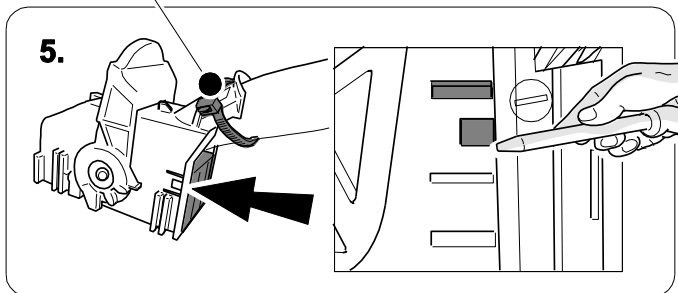
2.



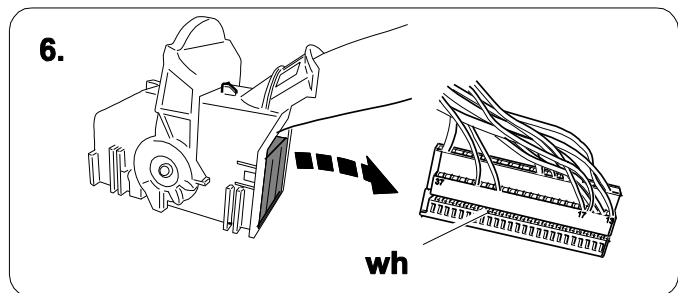
3.



4.



5.



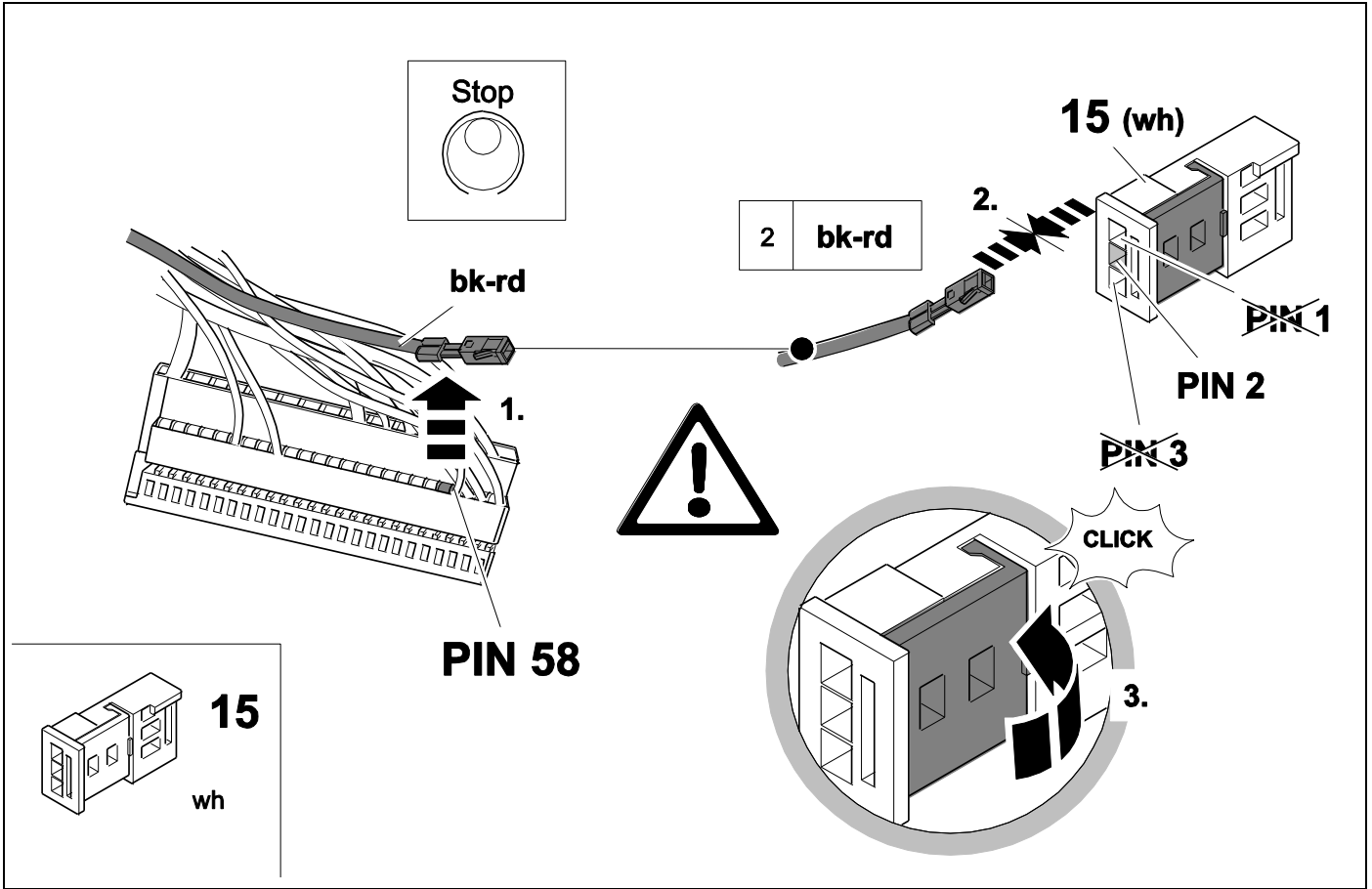
6.

wh

31

⇒ 10

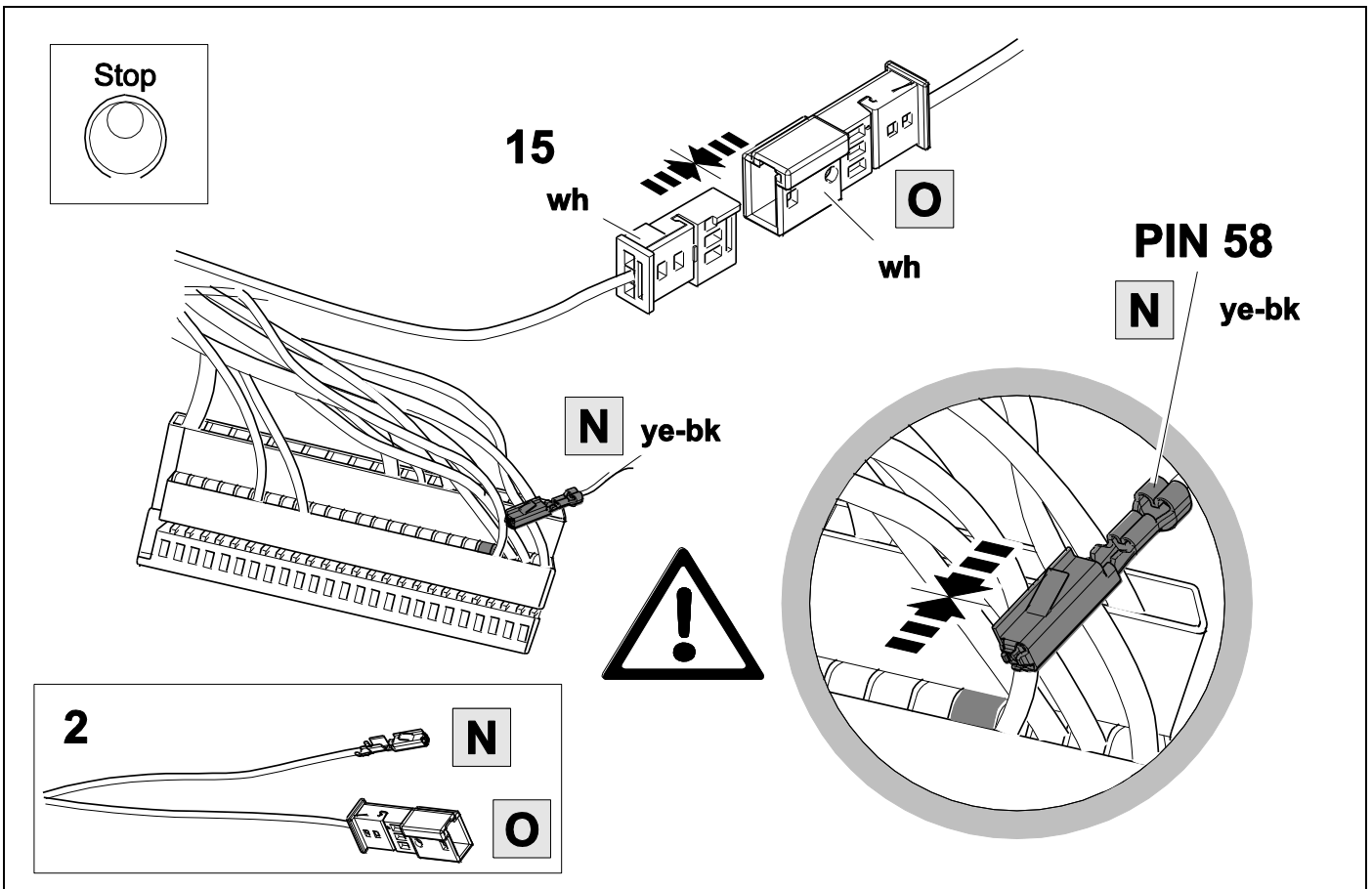
OPTION 2

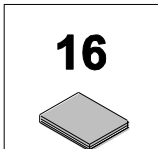
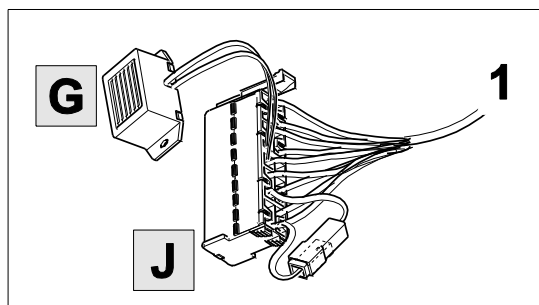
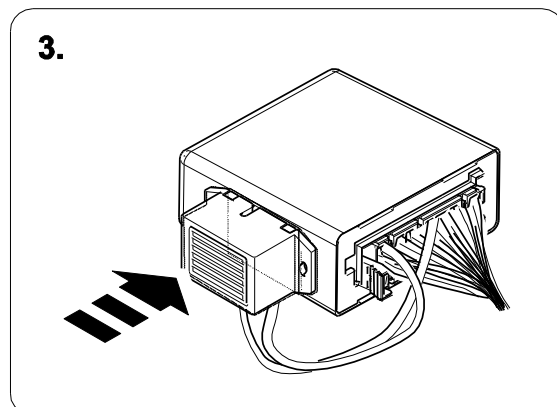
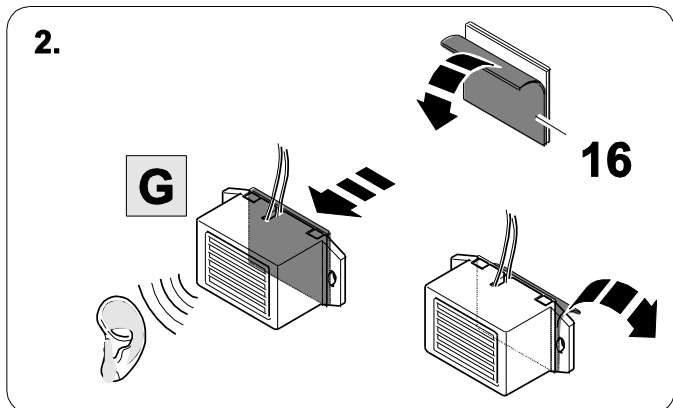
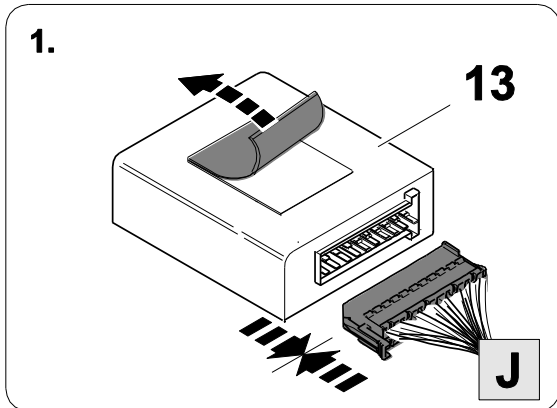
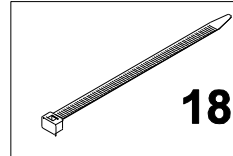
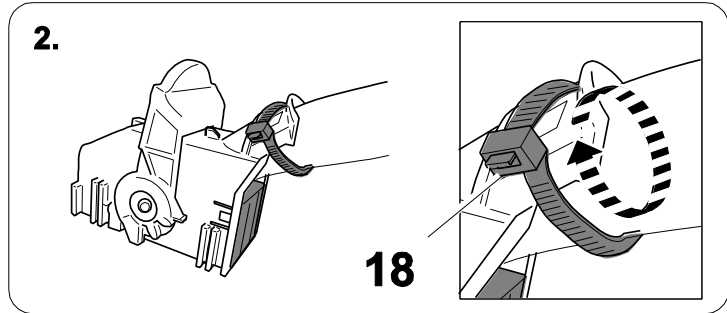
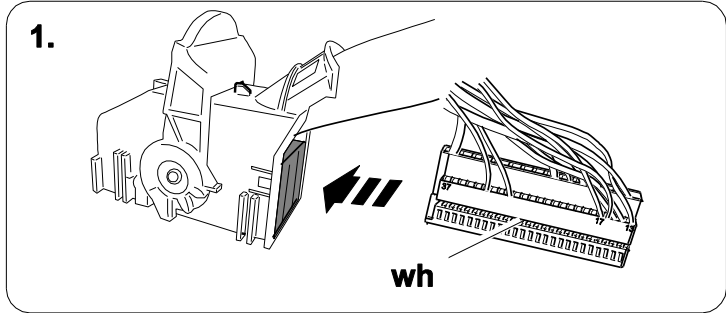
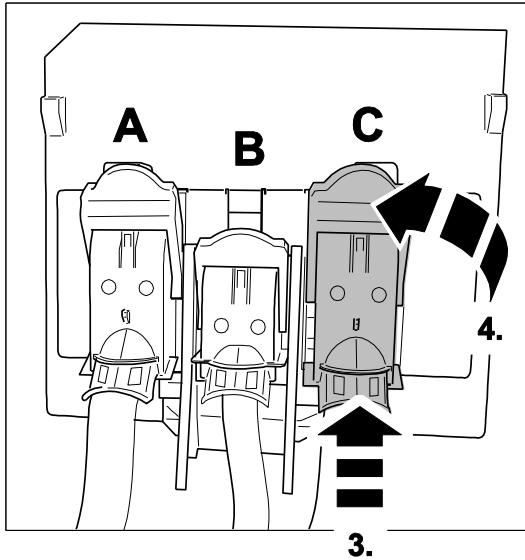
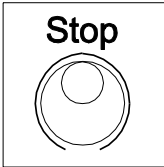


32

⇒ 10

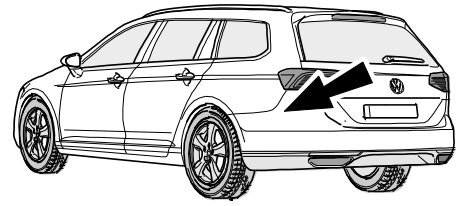
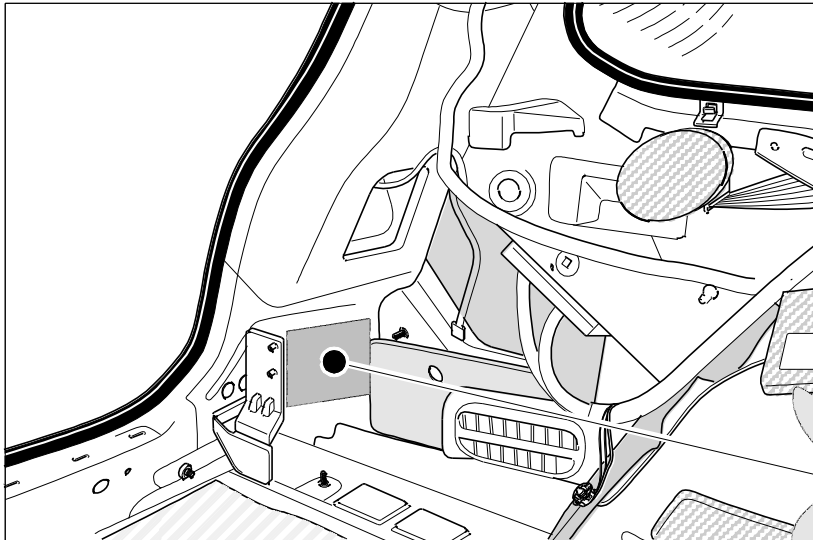
OPTION 2



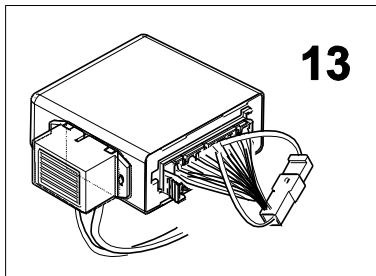
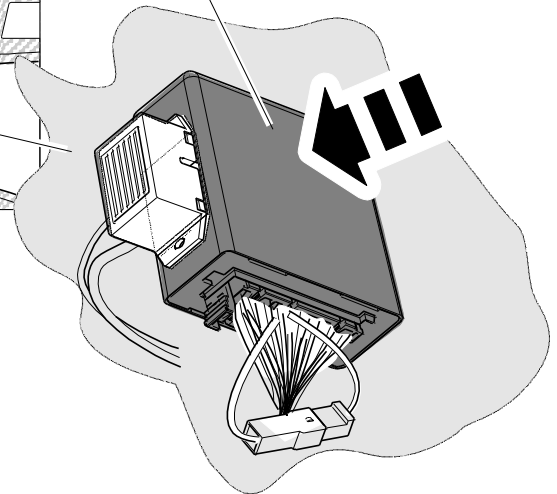


35

VARIANT



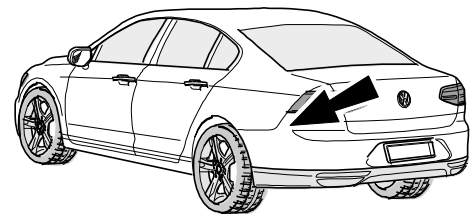
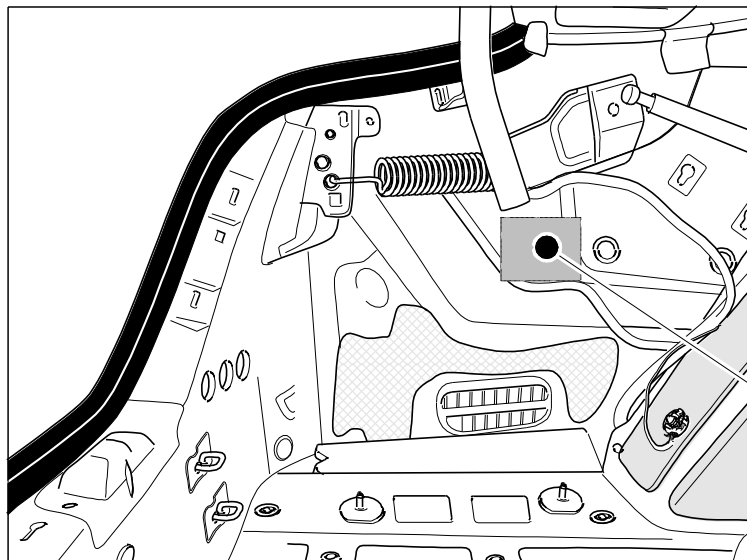
13



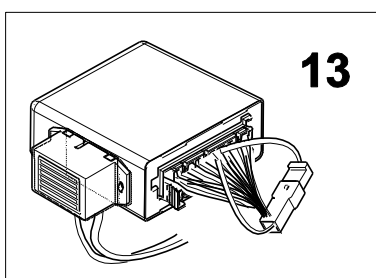
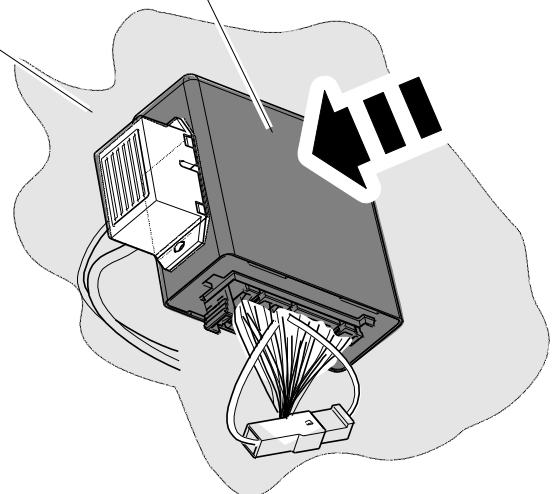
13

36 ARTEON

LIMOUSINE

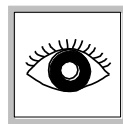
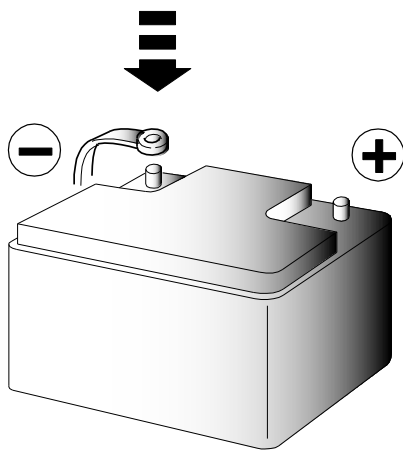
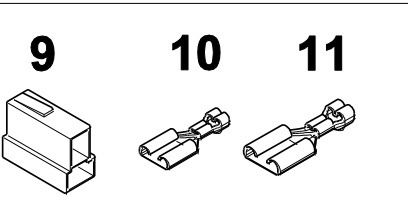
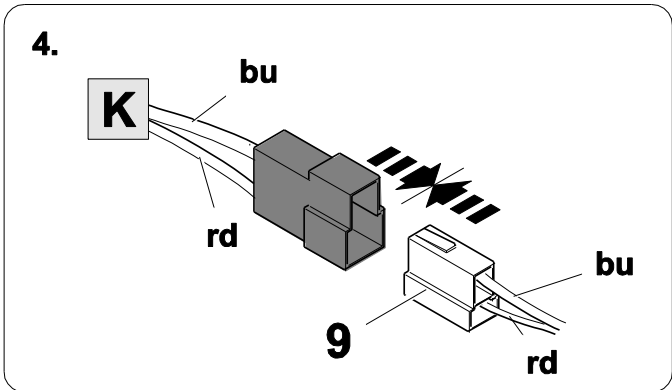
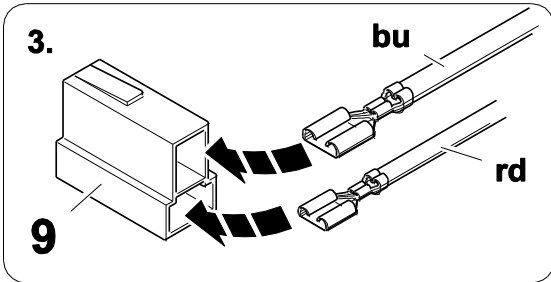
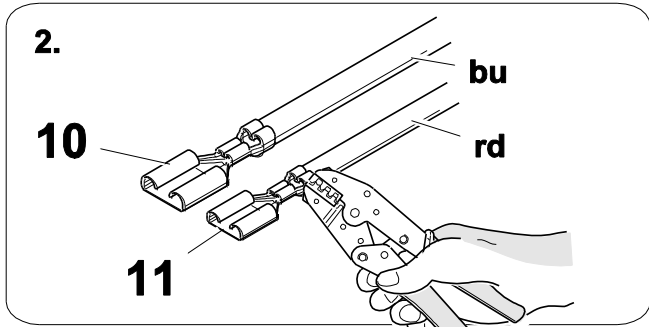
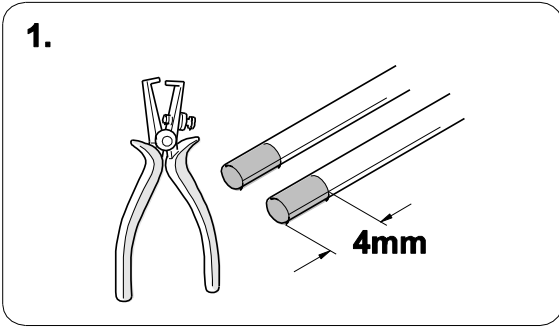
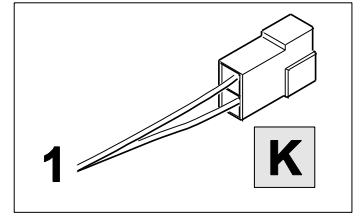


13

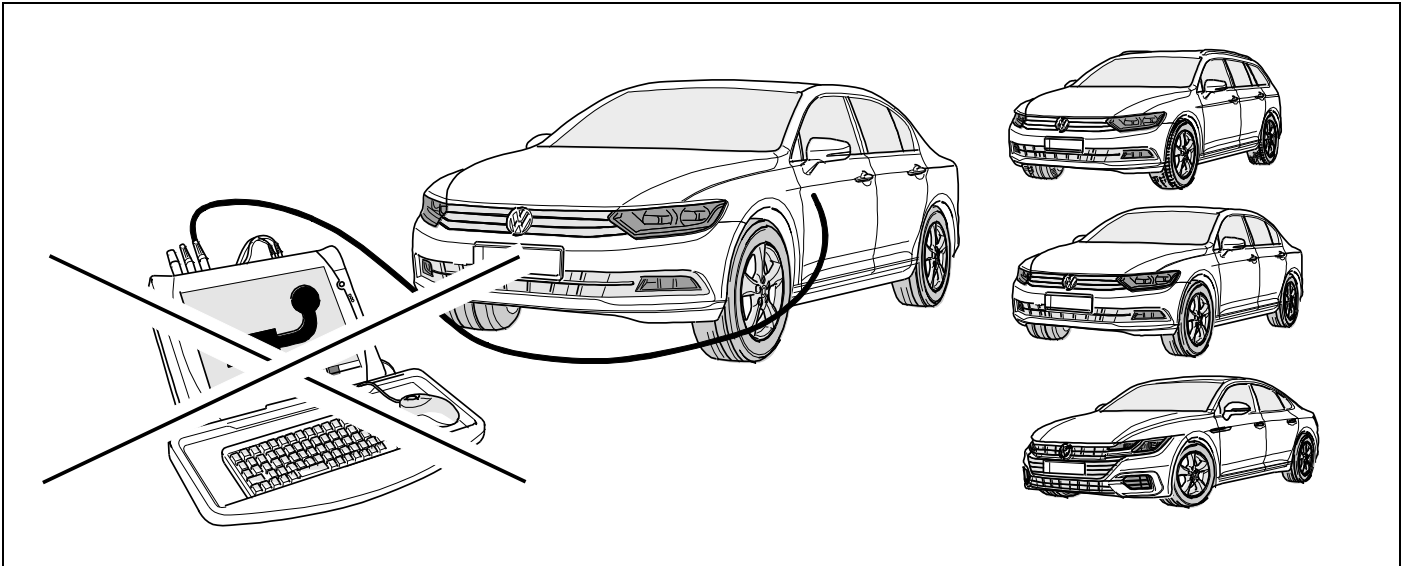


13

Trailer Brake Preparation

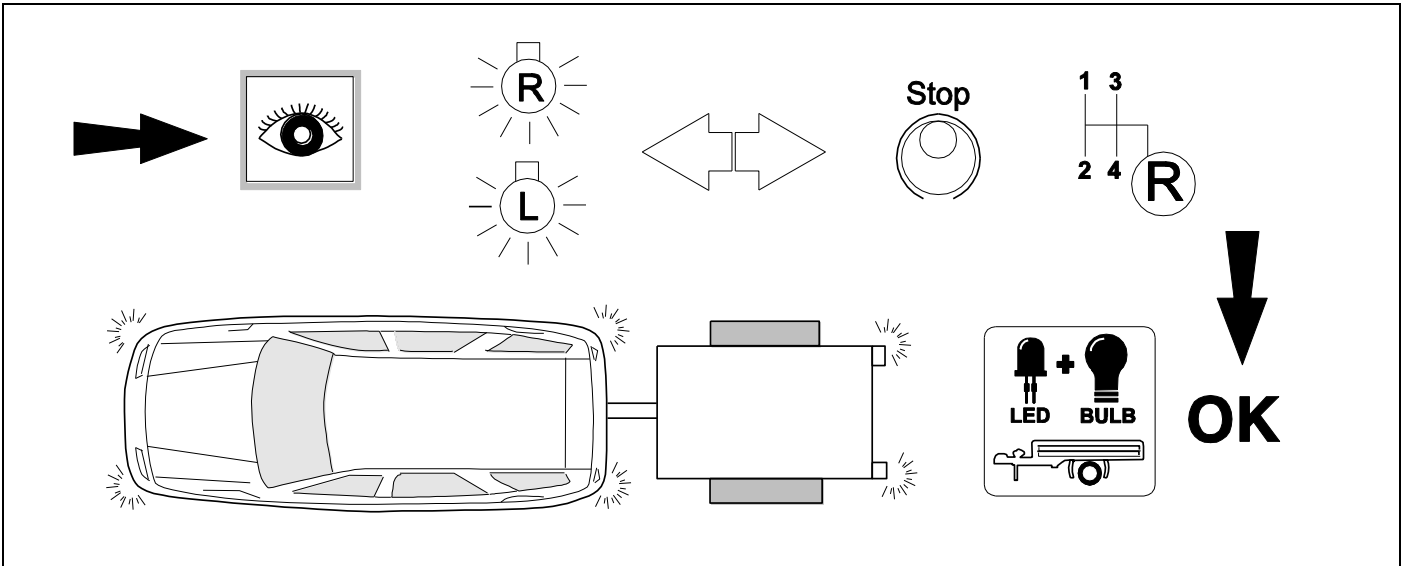


39



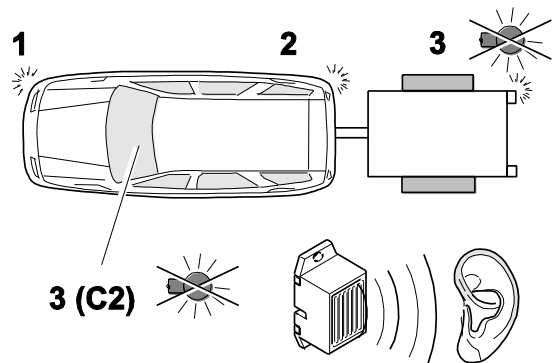
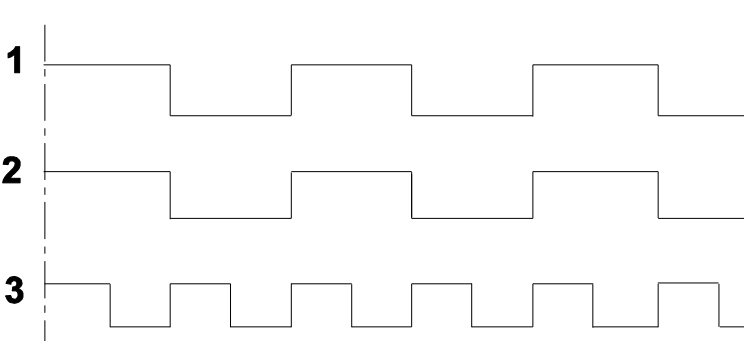
40

CHECK ALL LIGHTING FUNCTIONS



41

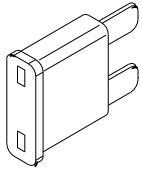
**Bulb out condition indicated
with sound from modul spaker**



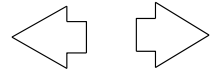
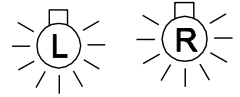
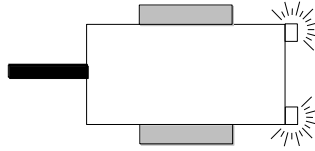
42



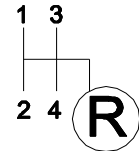
23



20 A

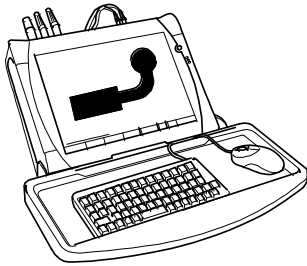


Stop



43

Coding Option



With vehicle coding

44 ⇒ 46

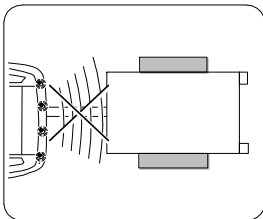


TSP
Trailer
Stability
Program

! Attention !

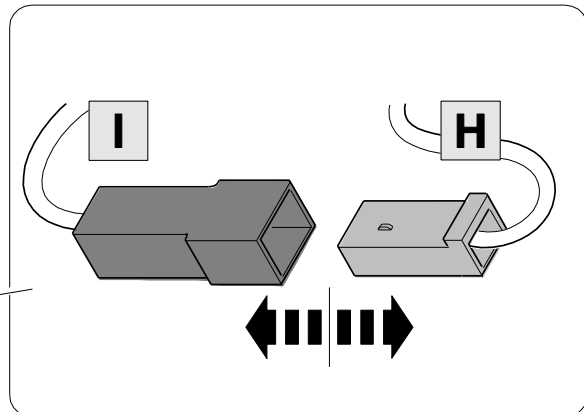
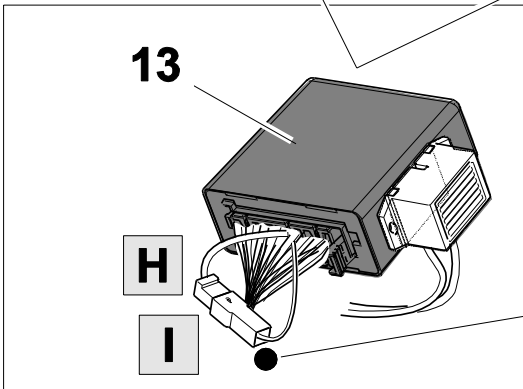
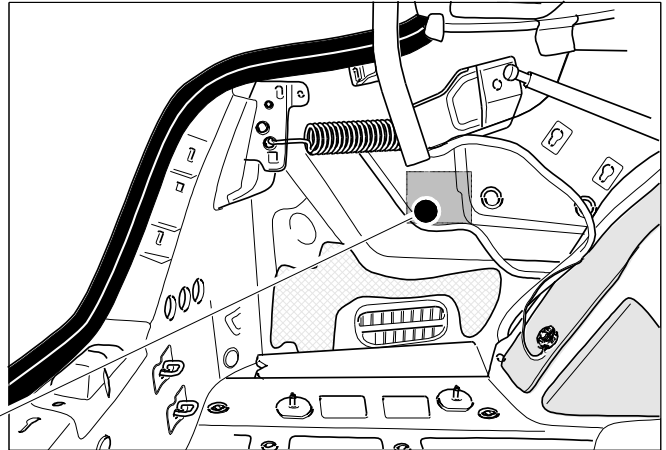
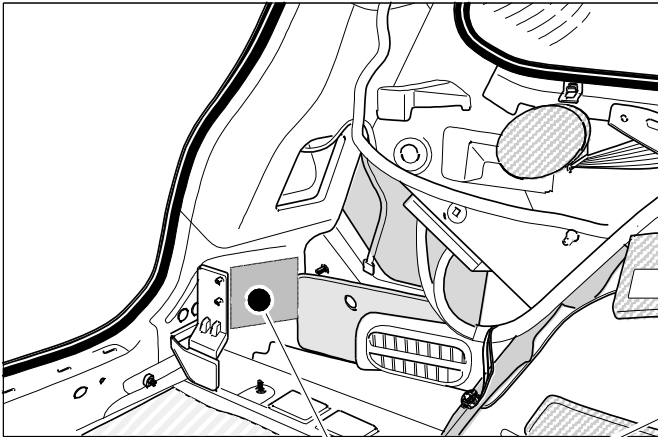
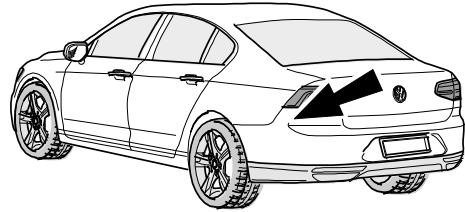
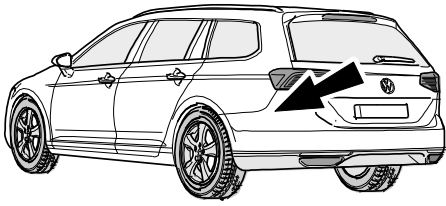
These codings may be lost

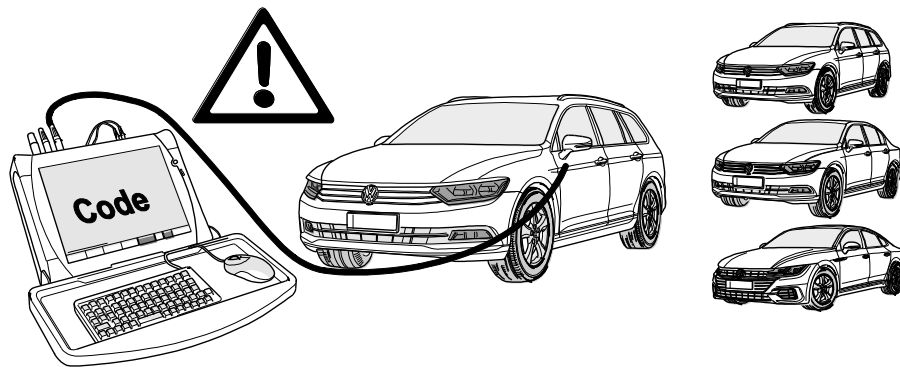
after visiting an authorized workshop!



P

Trailer
Assistent





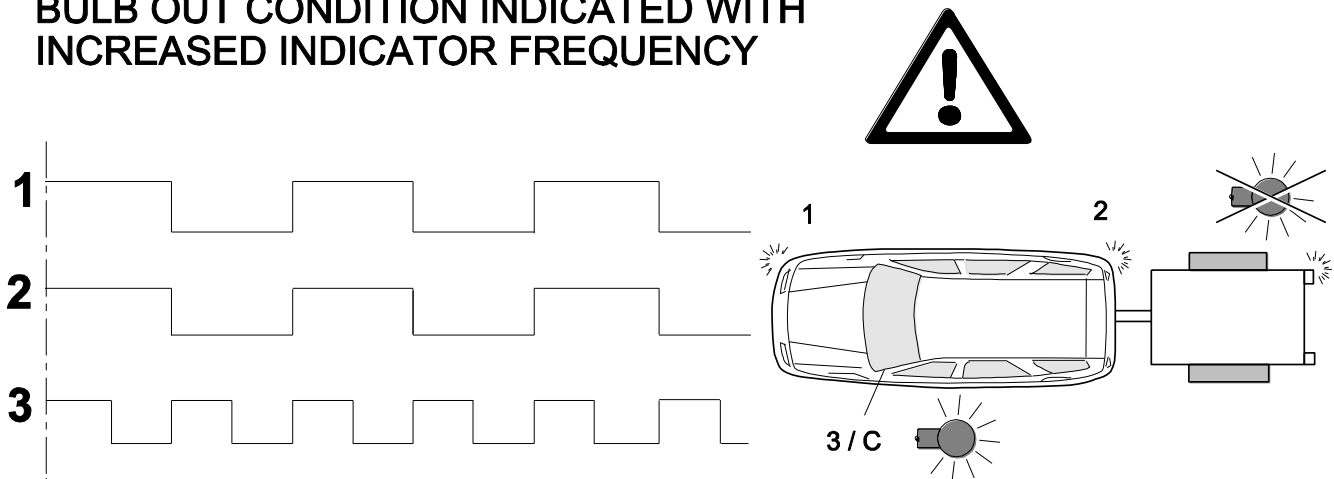
(GB)

For activation of the trailer function, the coding capability should be clarified / agreed with the respective manufacturer of diagnostic system.

Possible diagnosis systems (local / offline):

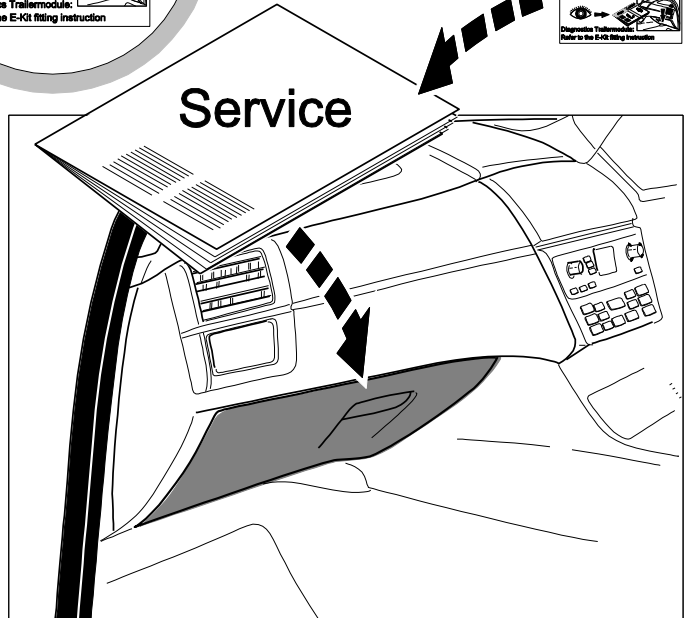
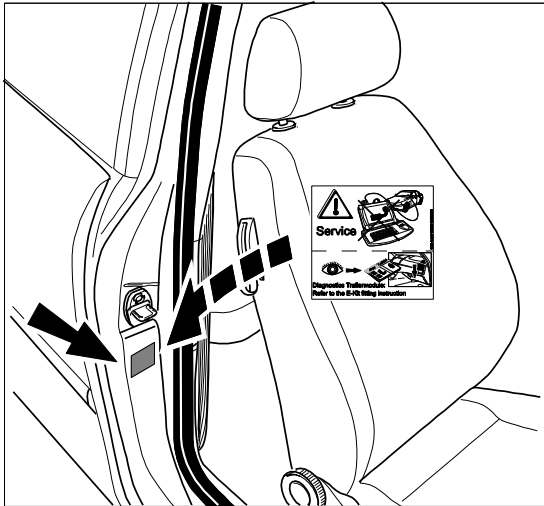
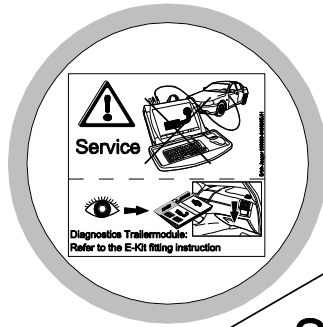
- ODIS / VCDS
- Hella Gutmann
- SP Diagnostic
- Westfalia Auto Code

BULB OUT CONDITION INDICATED WITH INCREASED INDICATOR FREQUENCY





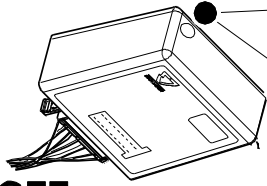
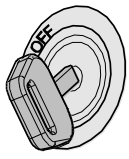
2x 12



Status LED für Eigendiagnose

Status LED for self-diagnosis

Operation support



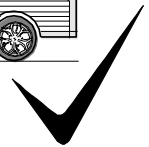
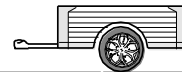
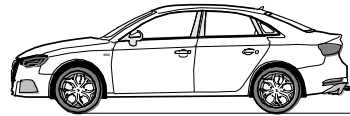
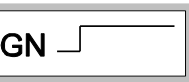
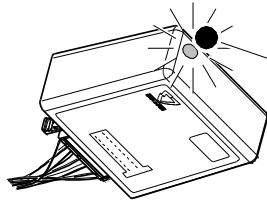
No CAN-Data =



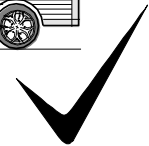
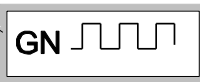
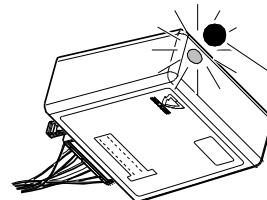
Standby / Sleepmode



Ignition OFF



Ignition ON



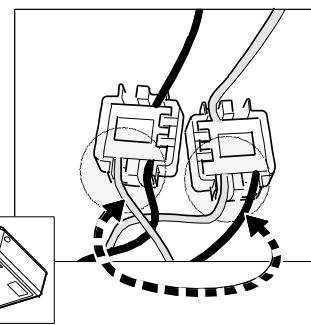
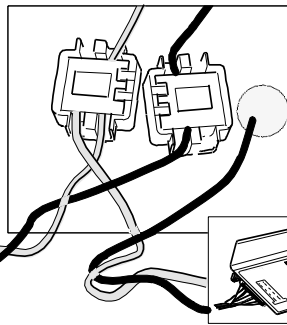
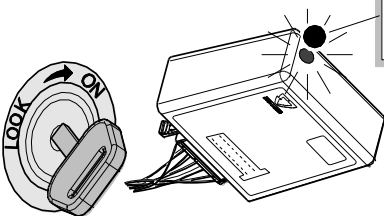
Ignition ON

Failure support

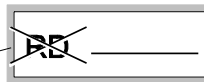
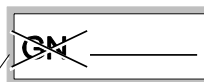
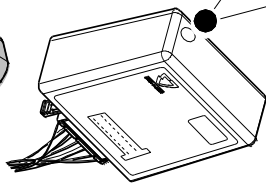
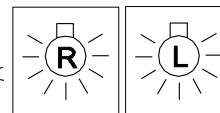
CAN-Data Wire



1x max. 5 min.



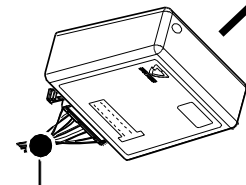
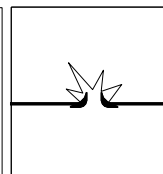
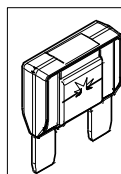
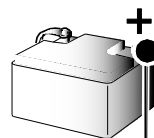
Ignition ON



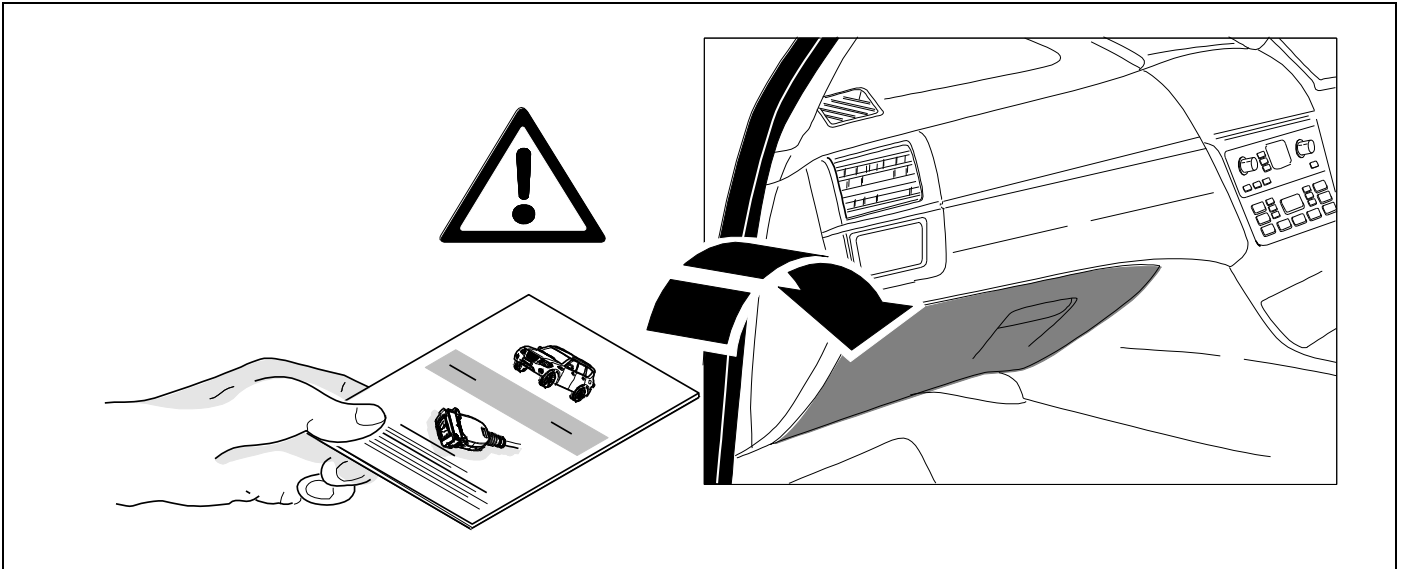
PIN 17 oder / or



PIN 1



Ignition ON



Subject to change in terms of construction, equipment and colour, and may contain errors.
The information and illustrations are non-binding.

Scan this to download
instructions for other models

