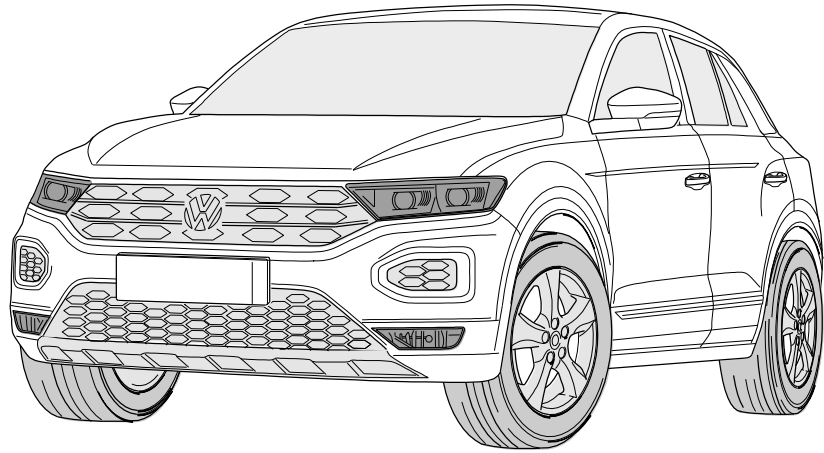


ERICH JAEGER

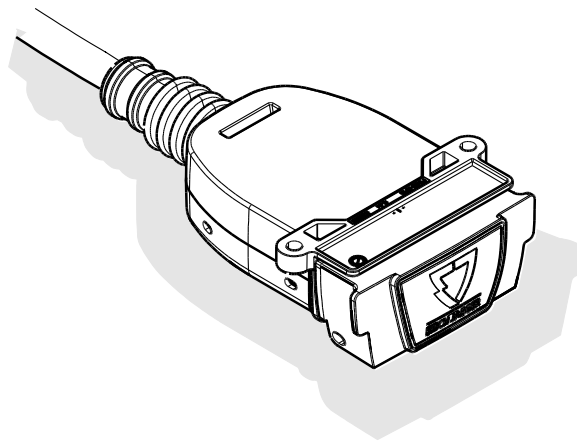
**Jaeger FLEX
2in1**



VW T-Roc

01/18 >>

750071



Installation instructions

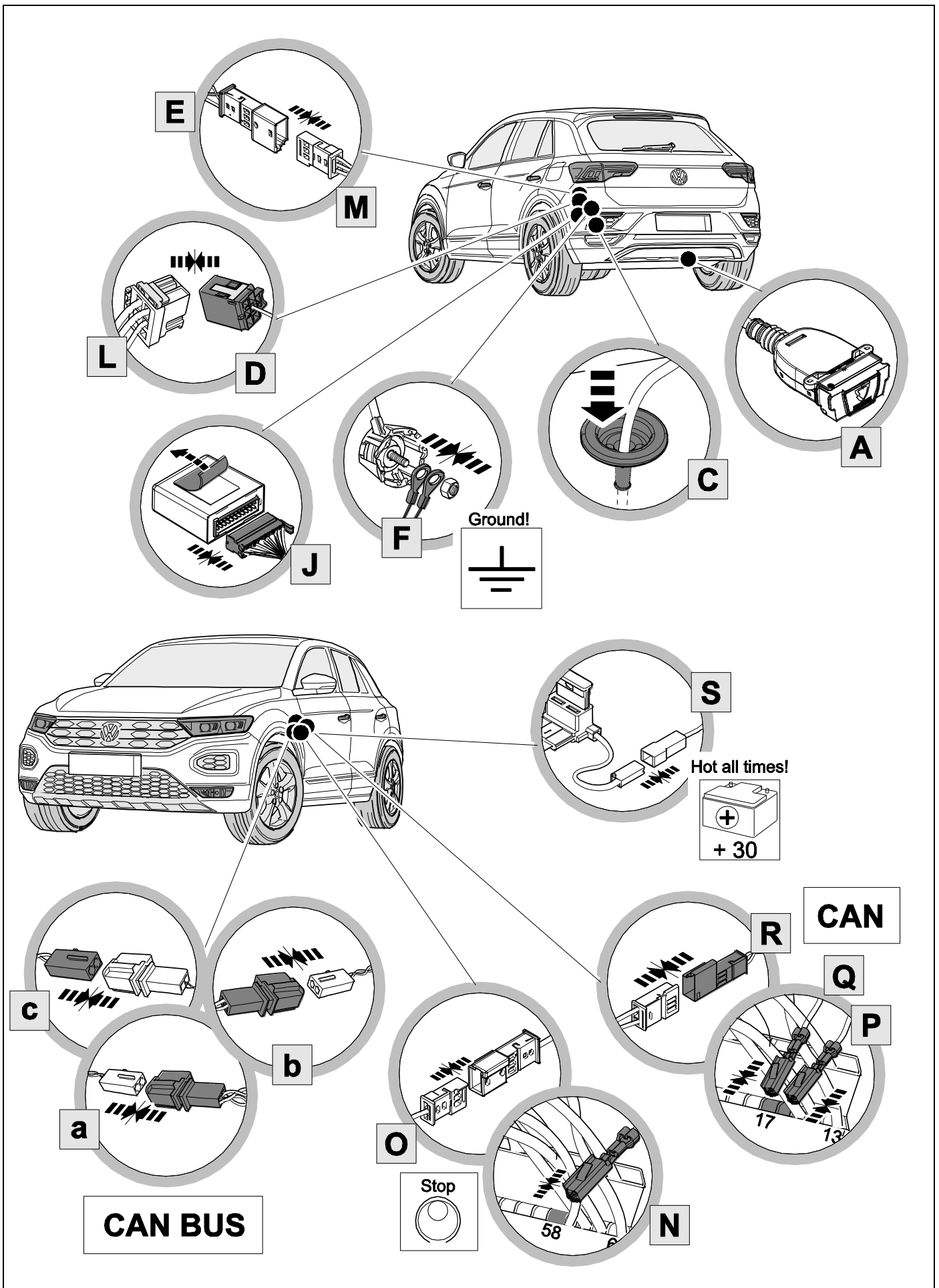
Reference:

The following information must be reviewed before beginning the assembly:

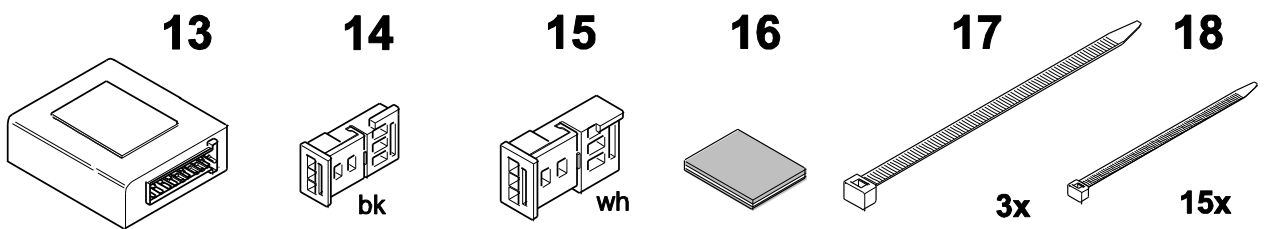
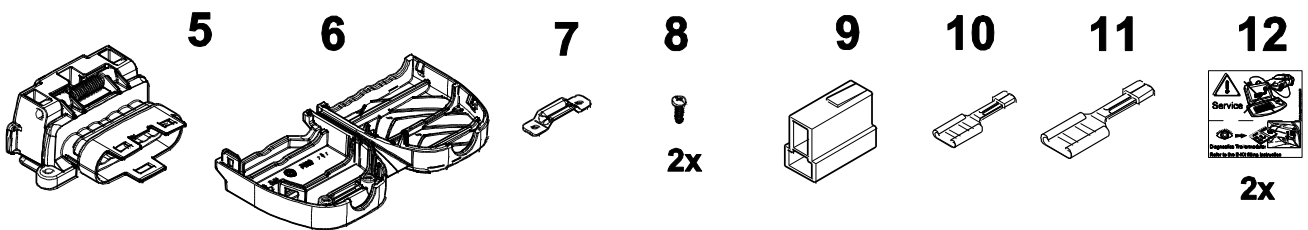
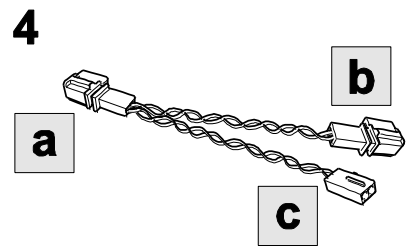
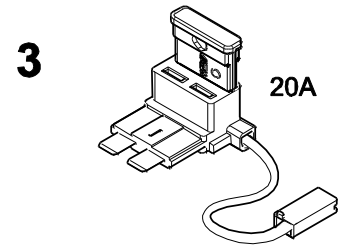
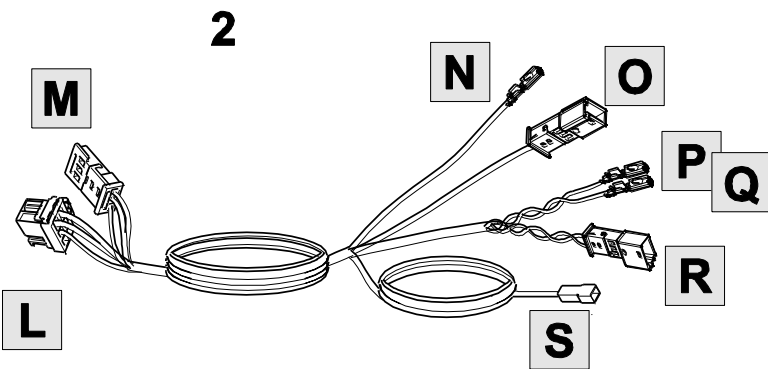
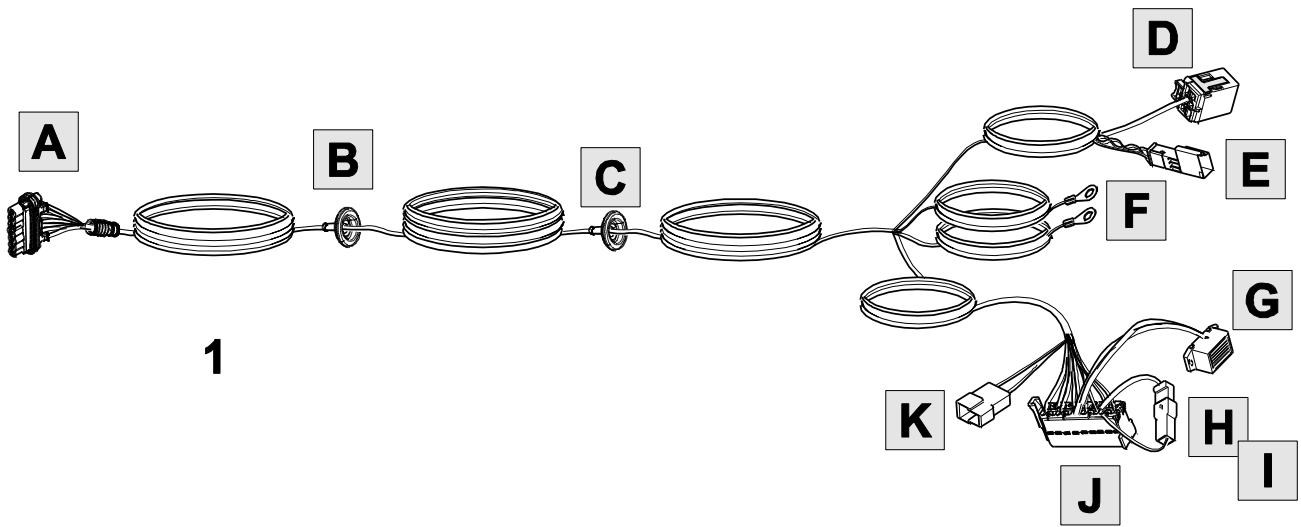


The installation instructions are to be thoroughly read.
The installation should be carried out by qualified personnel with the relevant technical knowledge.
The vehicle manufacturers' current technical notices and information on retrofitting must be followed.
The removal and replacement instructions found in the current repair manuals must be followed.
It must be ensured that the vehicle is technically suitable for the installation of a trailer hitch.

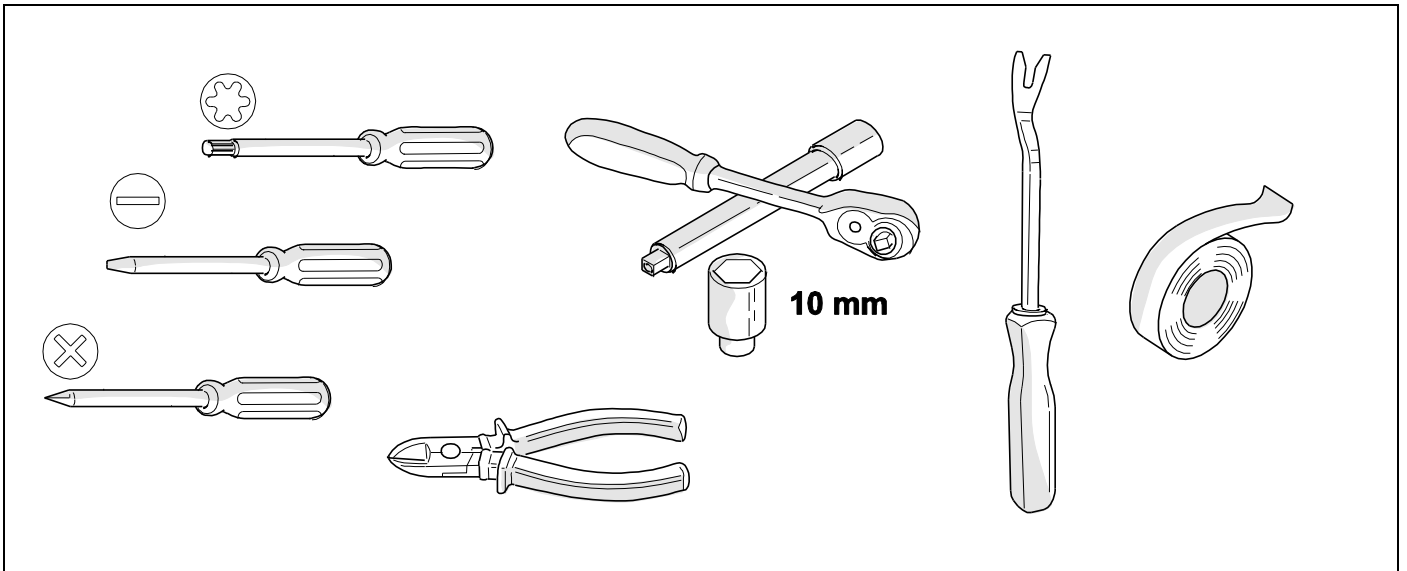
OVERVIEW



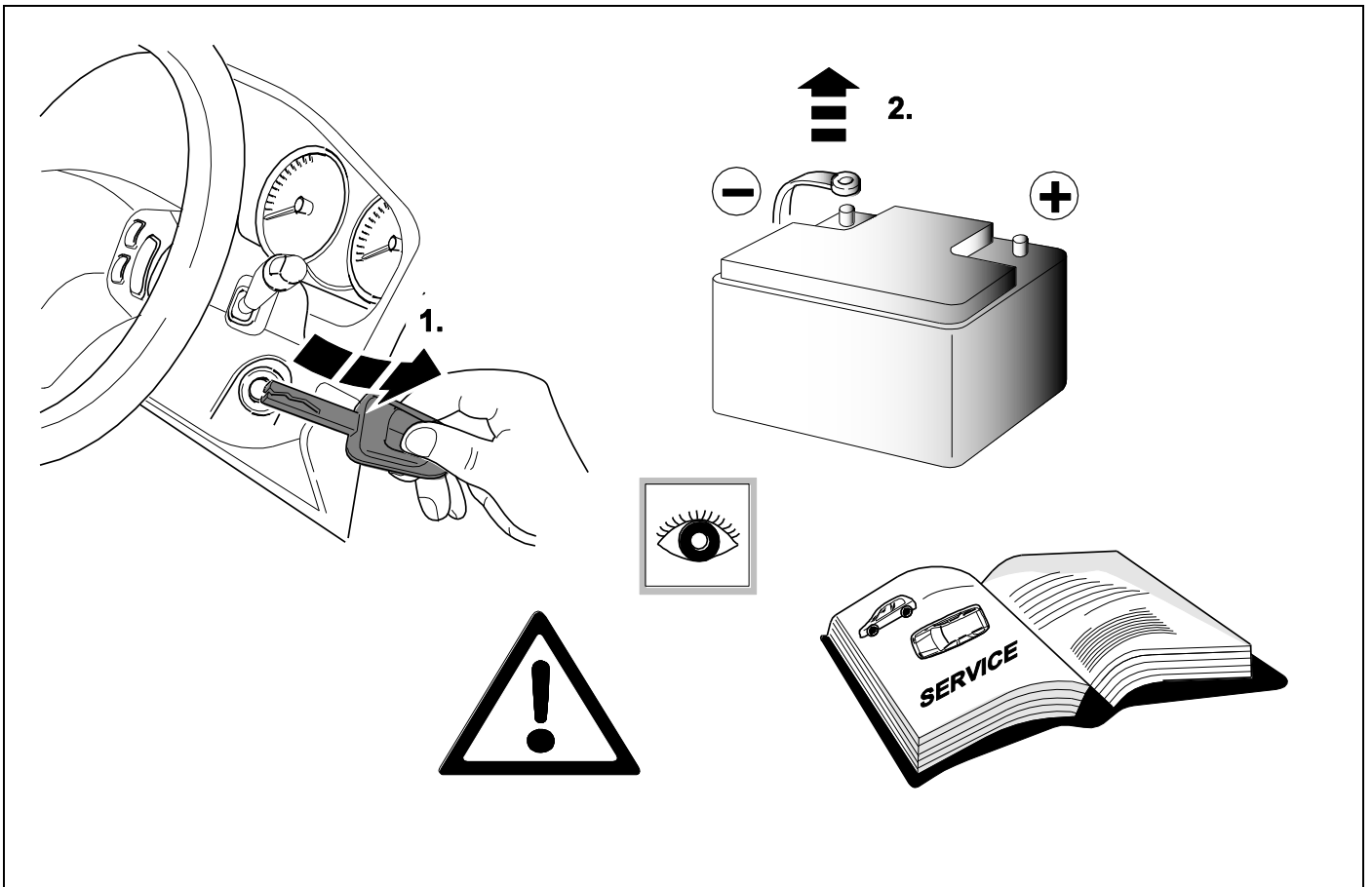
KIT

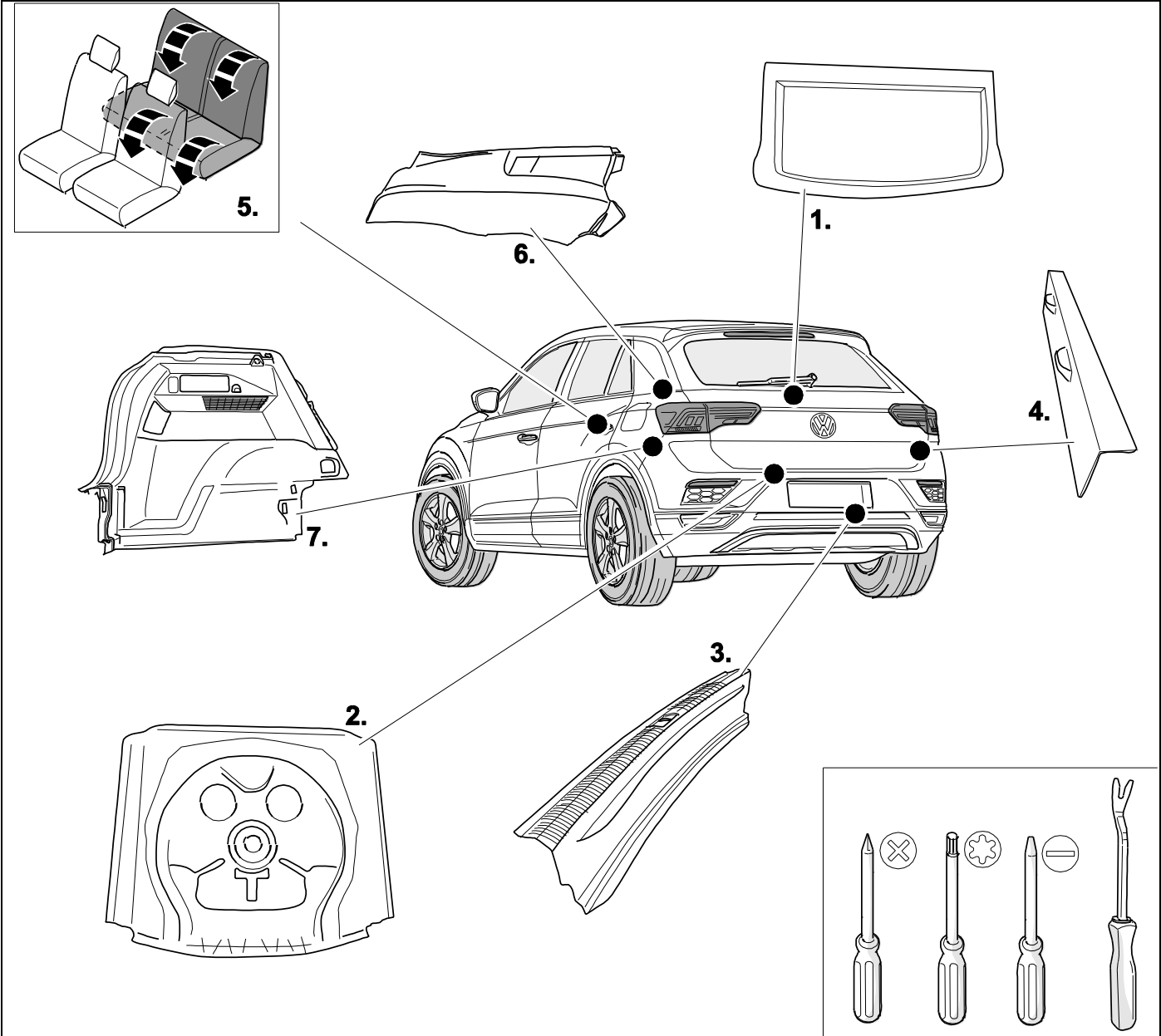


TOOLS

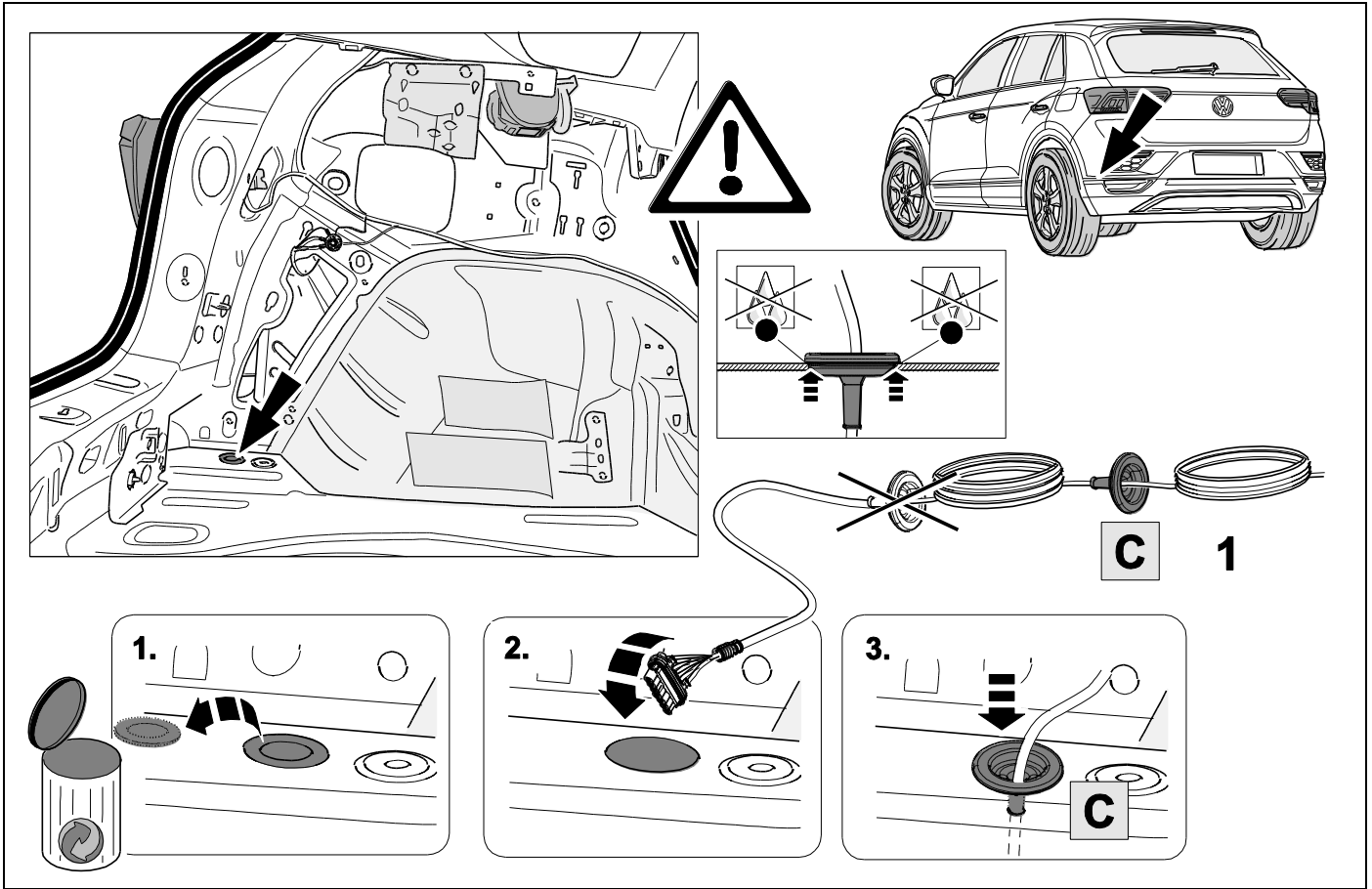


1

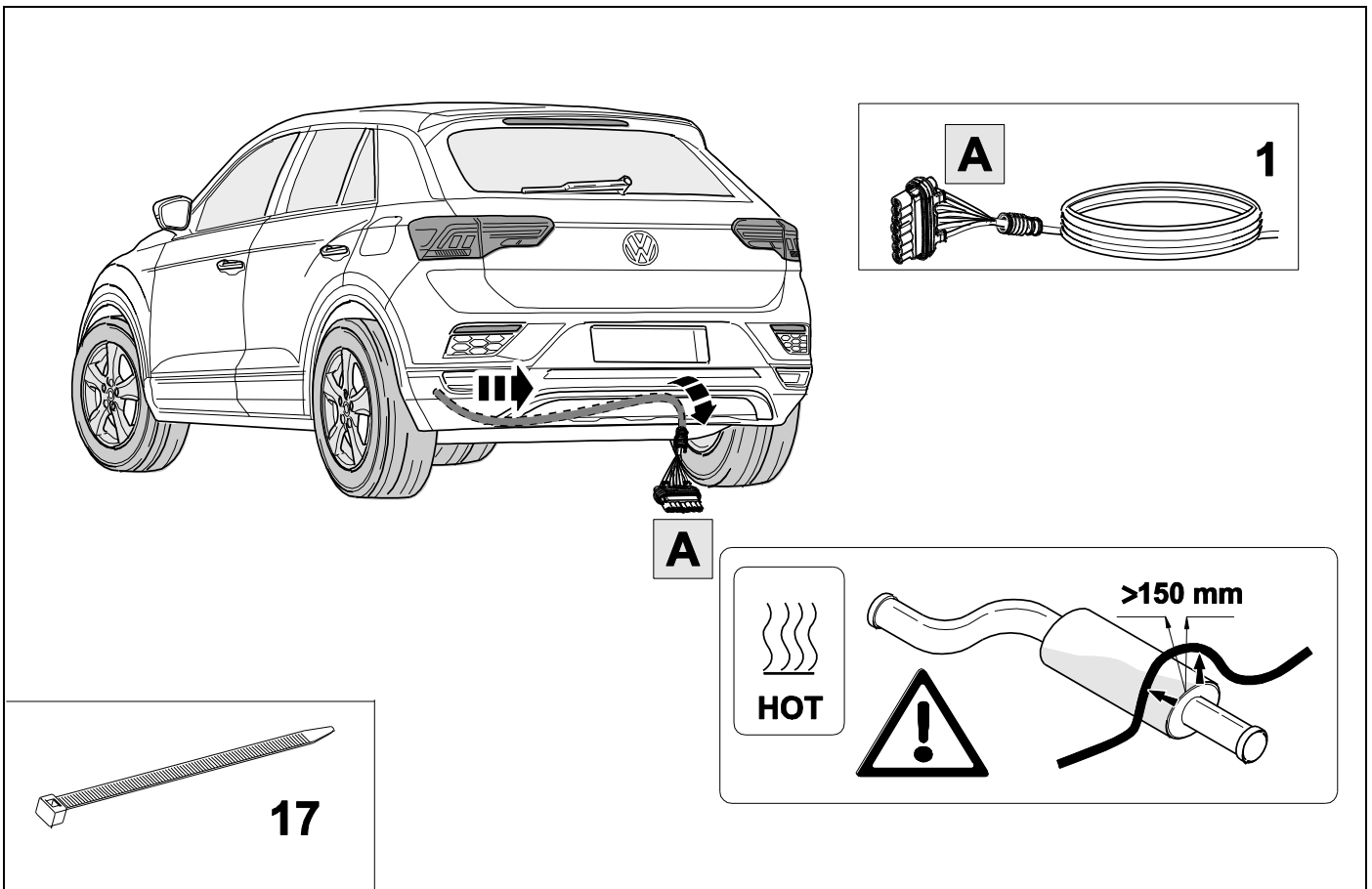




3



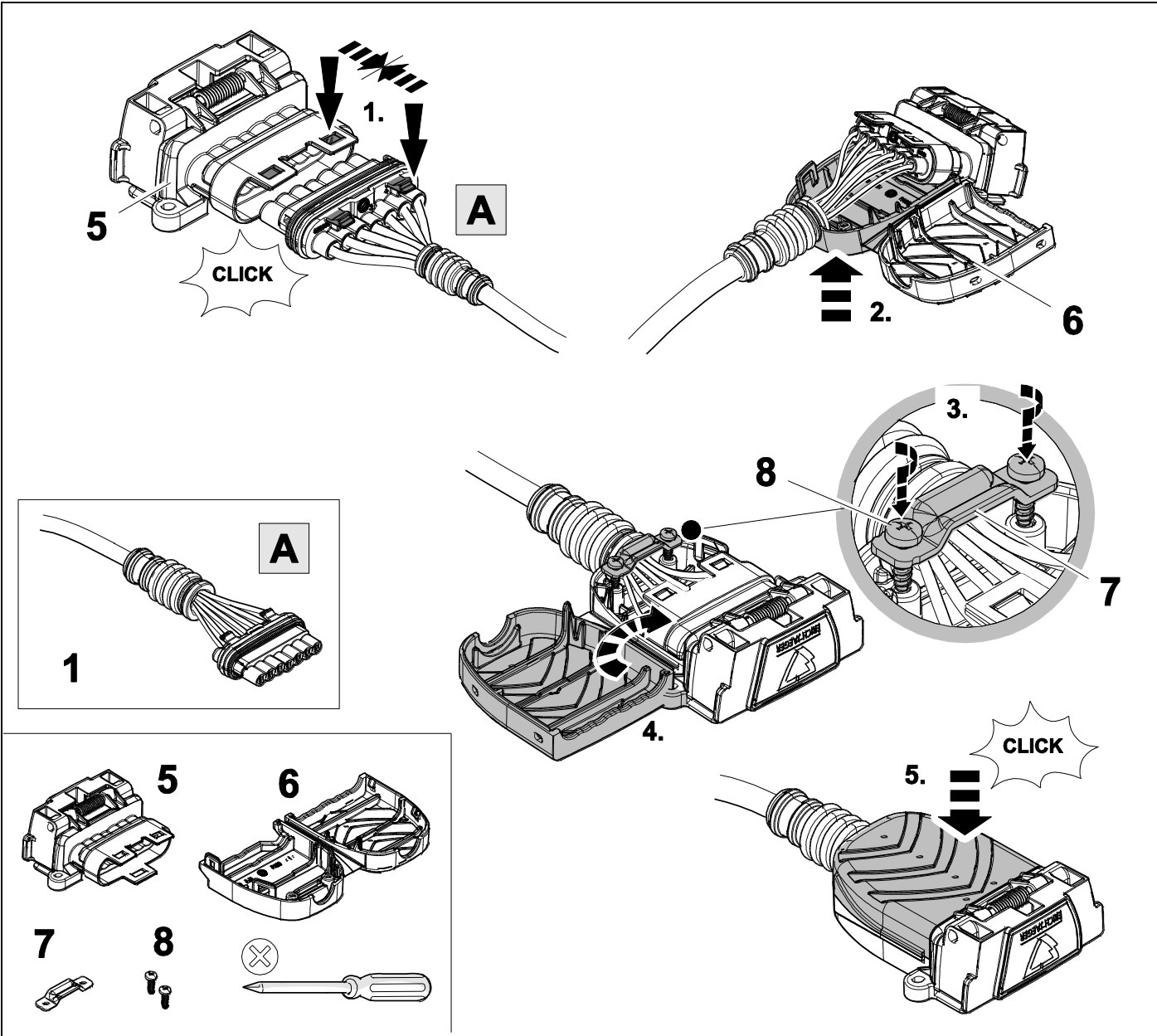
4



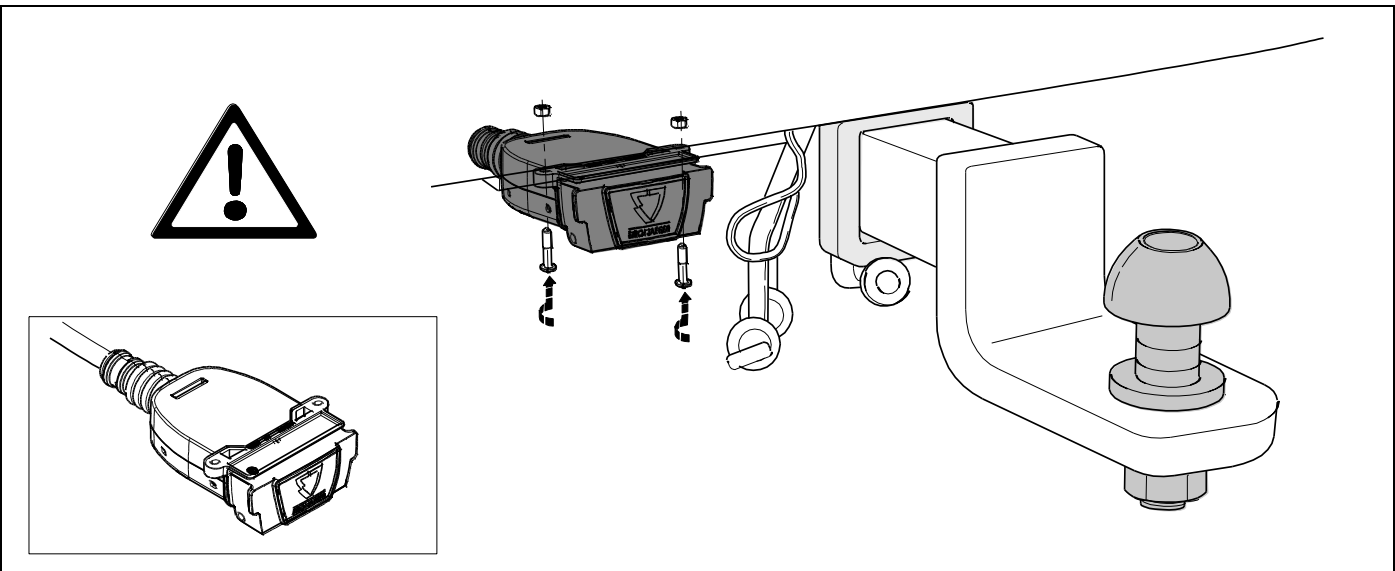
5



8



6



7



8

1	ye	
2	bk	
3	wh	
4	gn	
5	bu	
6	rd	
7	bn	

8	bk	wh	gy	gn	rd	bu	ye	bn	pu	or	no
---	----	----	----	----	----	----	----	----	----	----	----

	black	white	grey	green	red	blue	yellow	brown	purple	orange	not occupied
--	-------	-------	------	-------	-----	------	--------	-------	--------	--------	--------------

9

Ground!

1

F

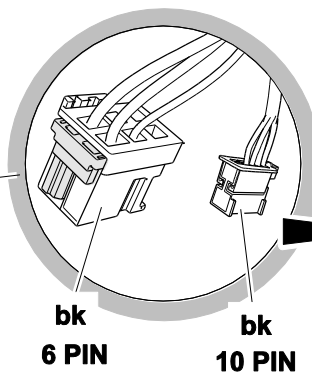
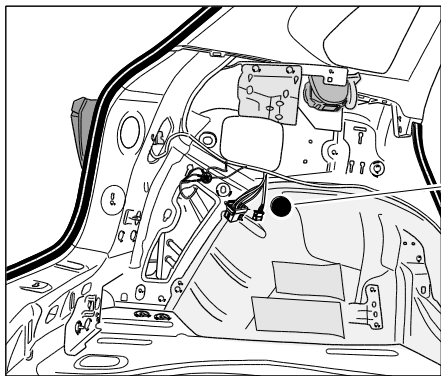
10 mm

10



8

Vehicles with trailer preparation



bk
6 PIN

bk
10 PIN

OPTION 1

11



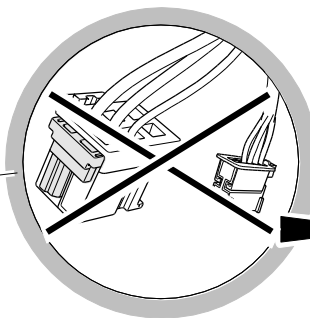
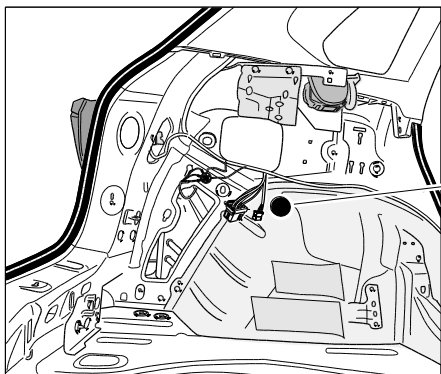
17

32



43

Vehicles without trailer preparation



OPTION 2

18



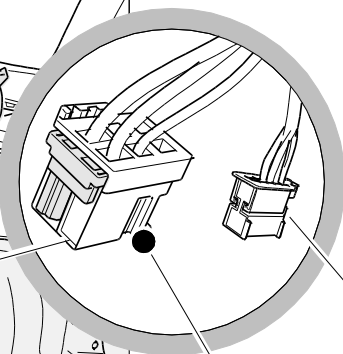
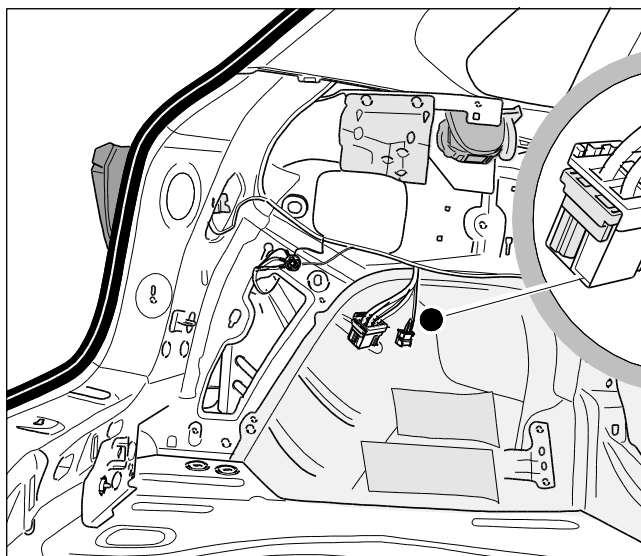
43

11

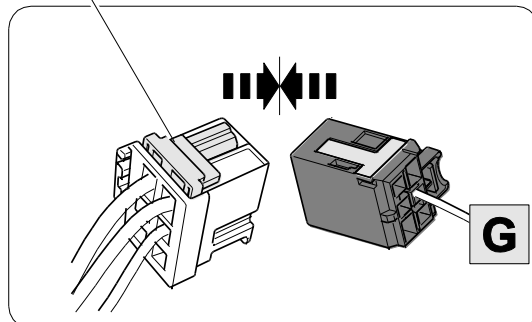
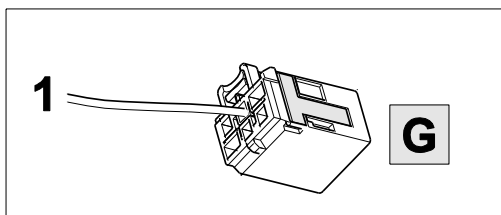
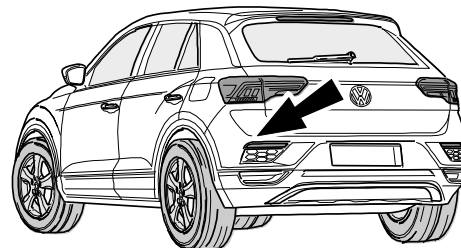


8

OPTION 1



bk
6 PIN

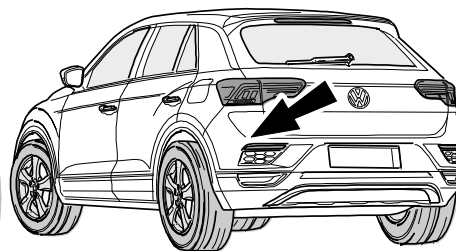
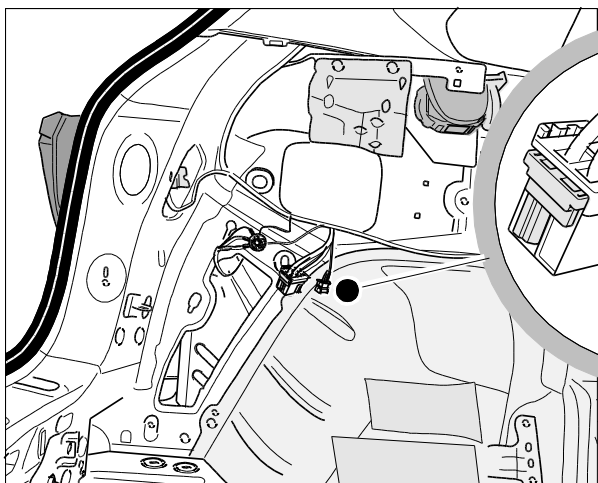


12

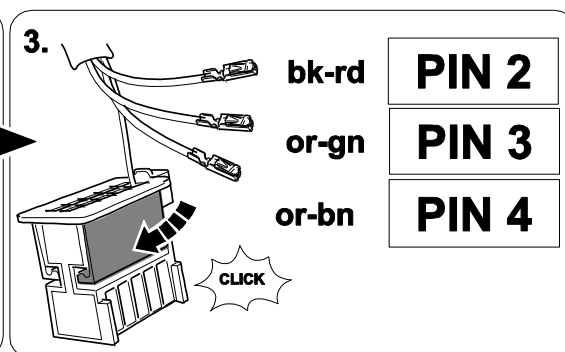
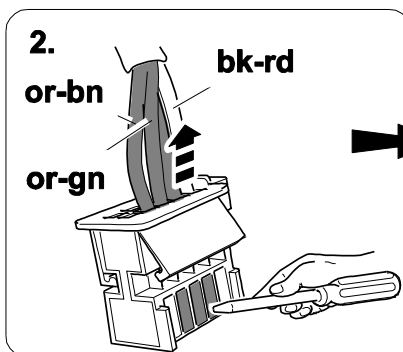
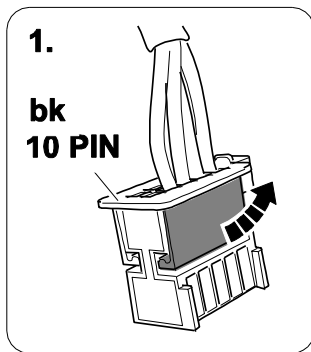


8

OPTION 1



bk
10 PIN

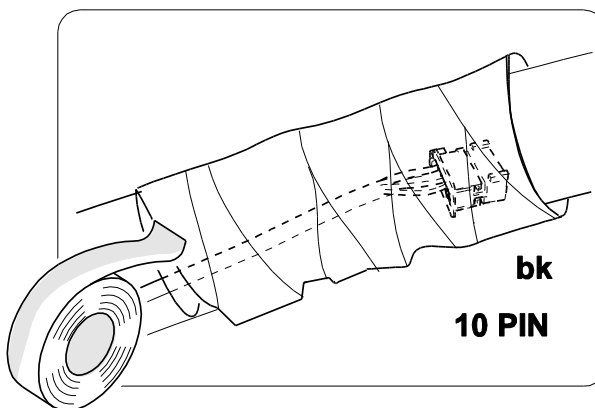
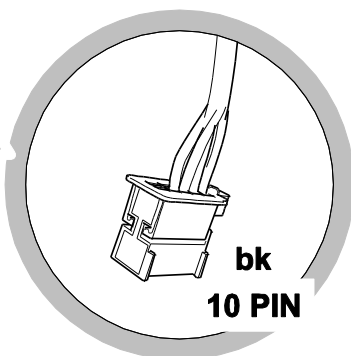
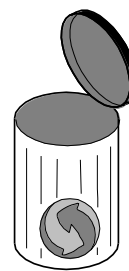
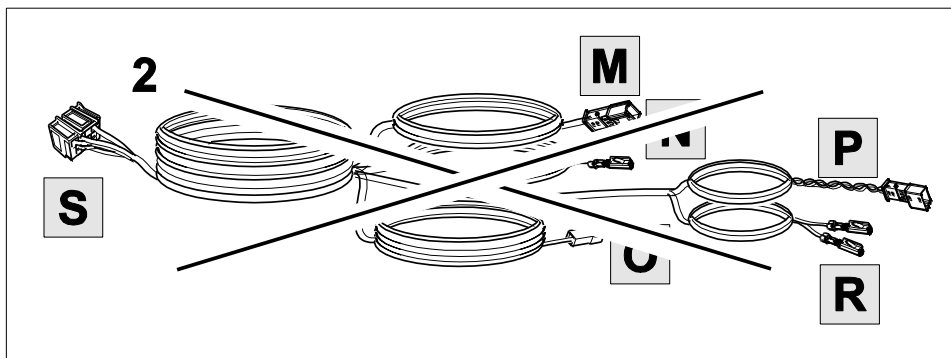


13



8

OPTION 1

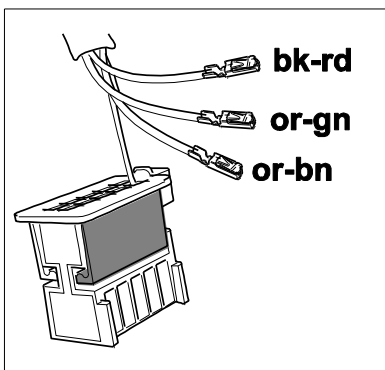


14



8

OPTION 1



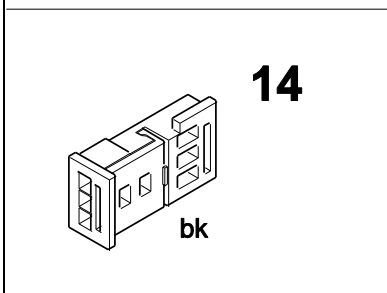
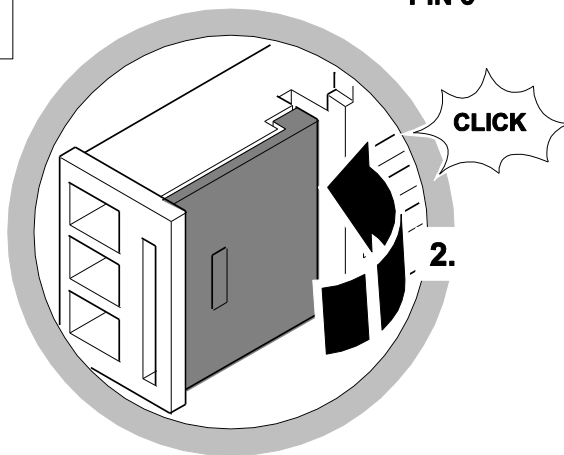
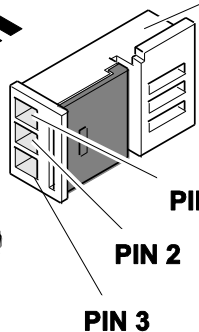
1 or-gn

2 bk-rd

3 or-bn

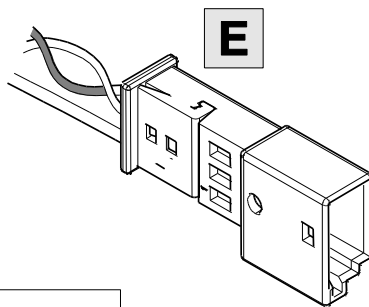


14 (bk)

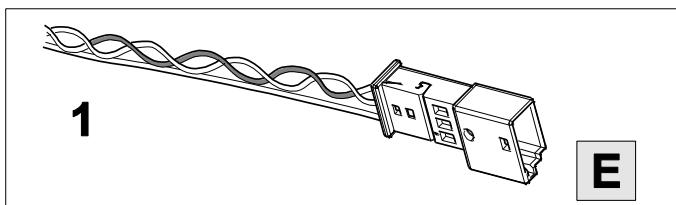


15

OPTION 1



14

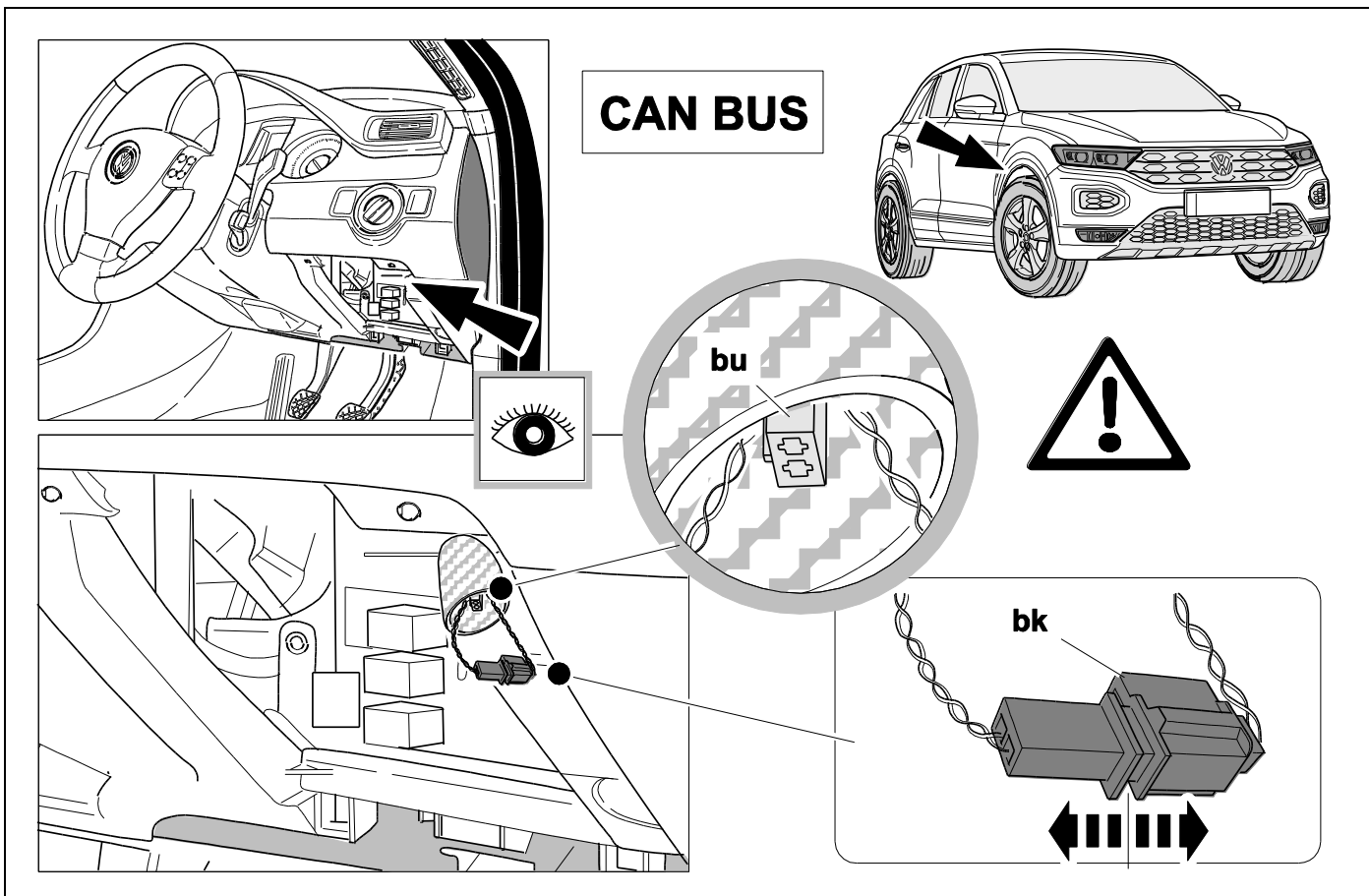


16



8

OPTION 1

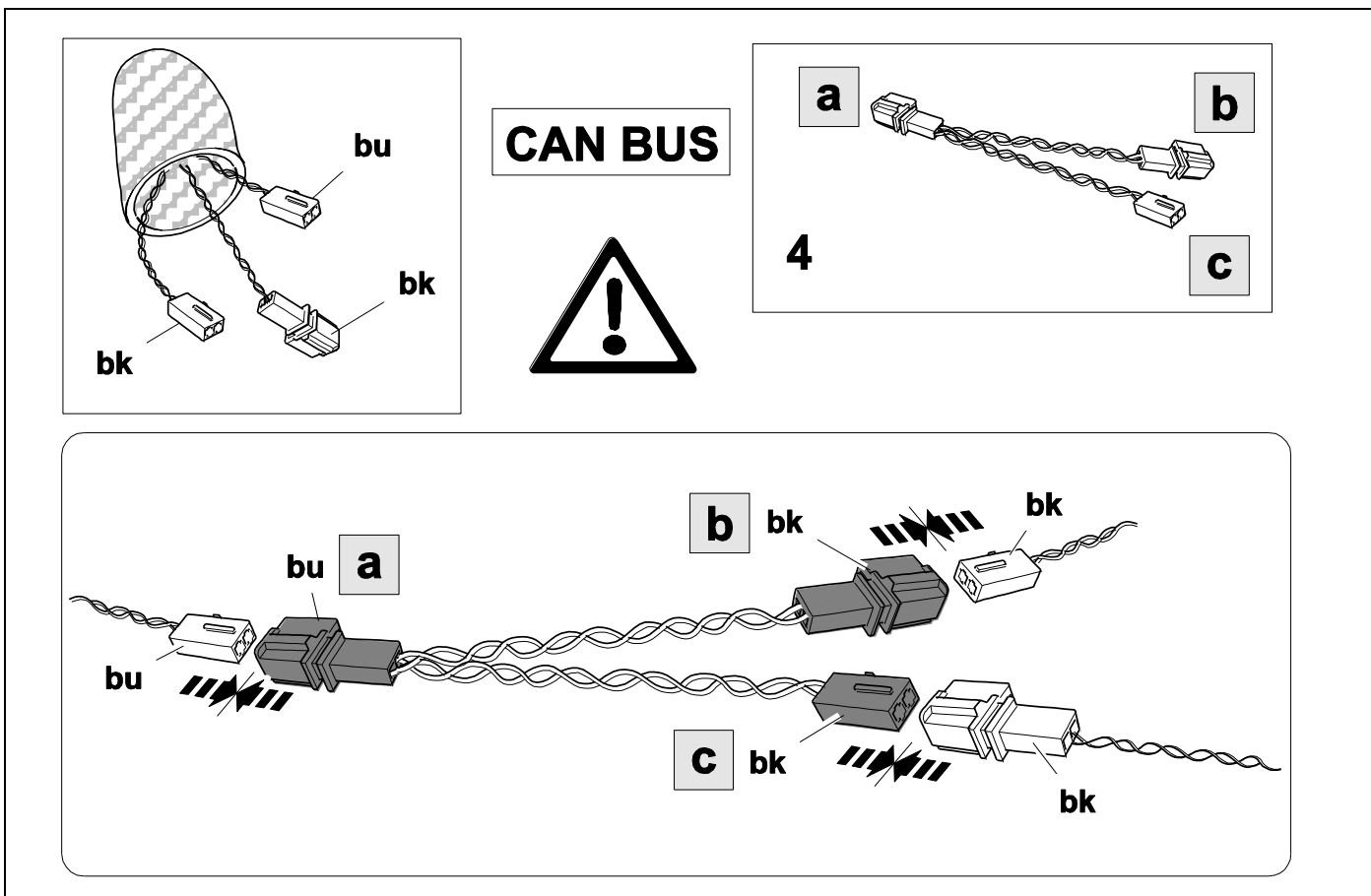


17



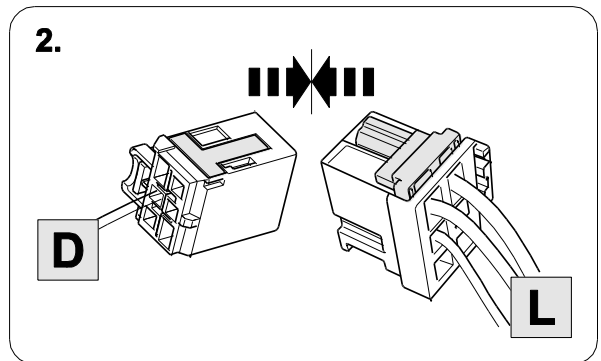
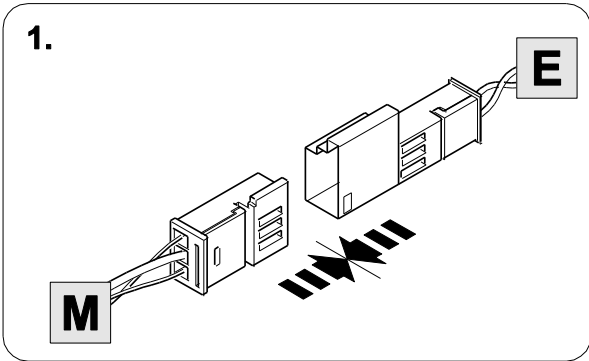
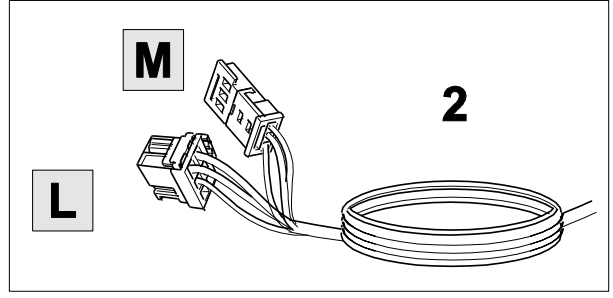
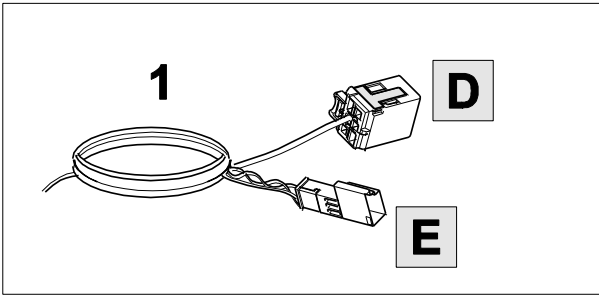
39

OPTION 1



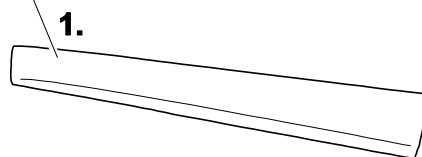
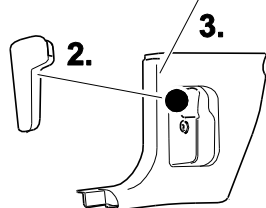
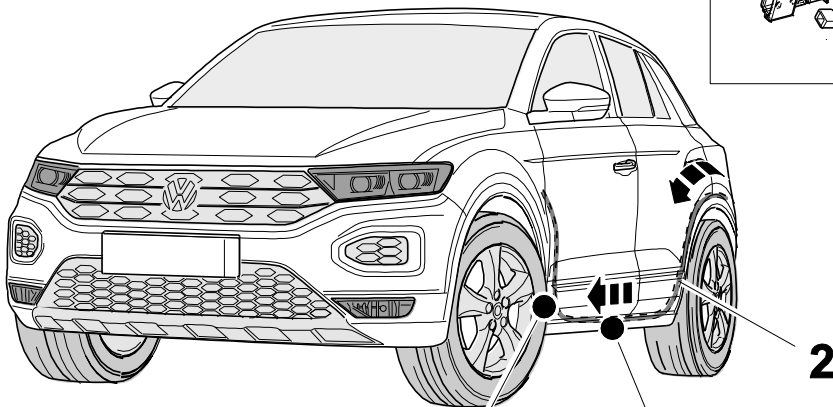
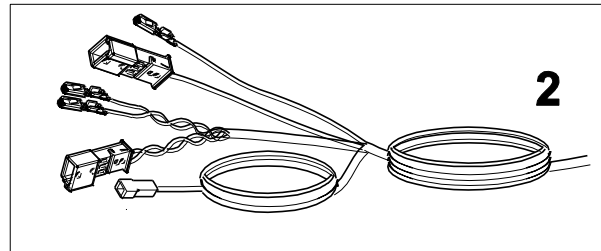
18

OPTION 2



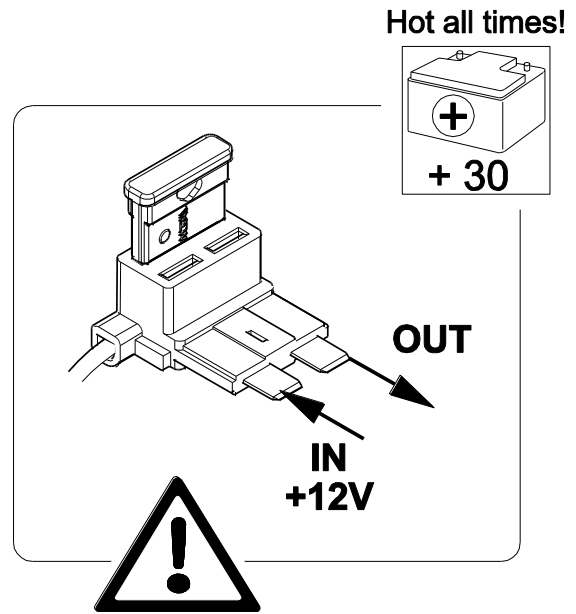
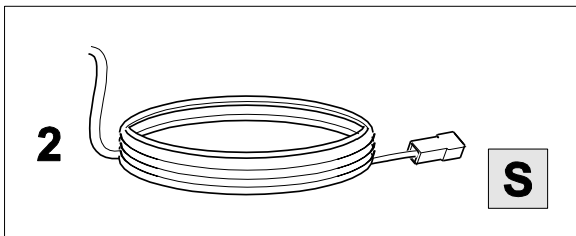
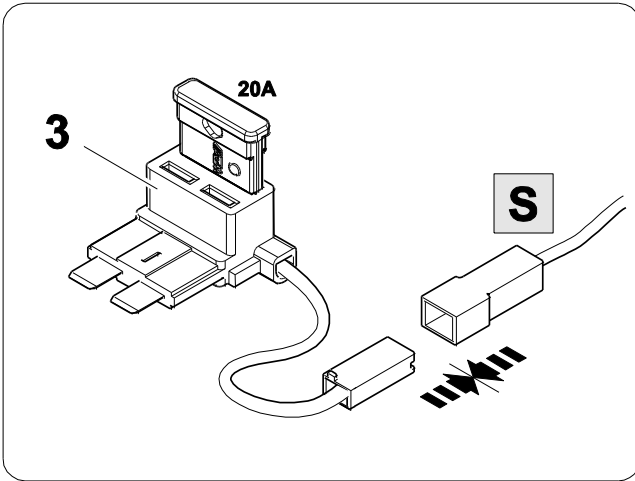
19

OPTION 2



20

OPTION 2

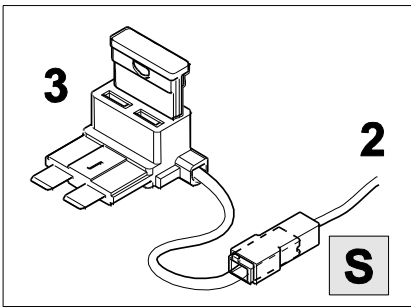


21

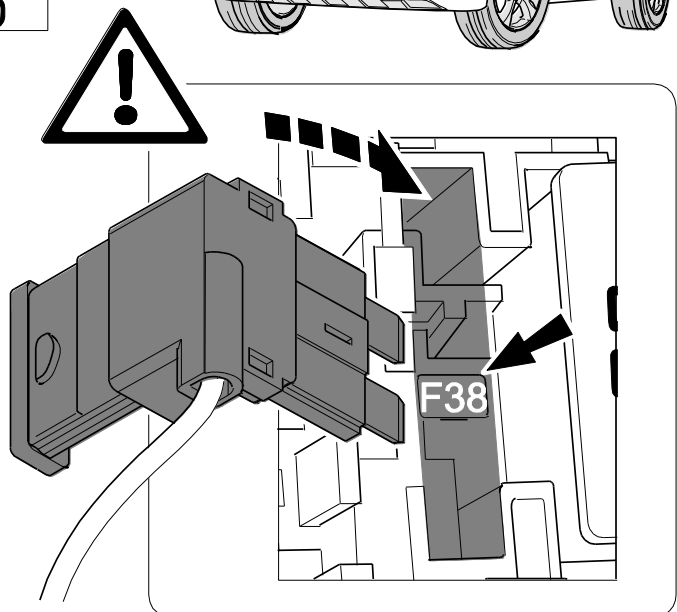
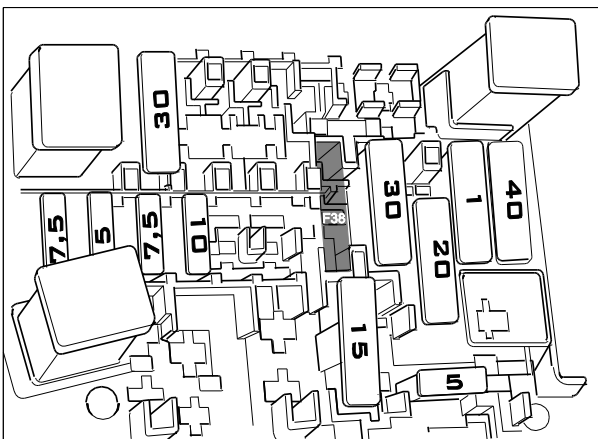
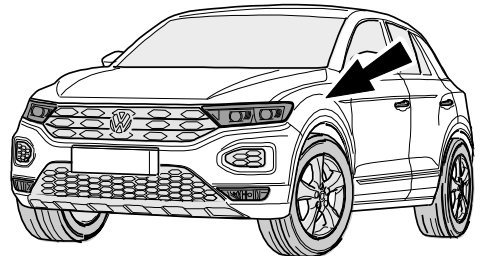
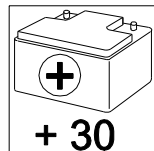


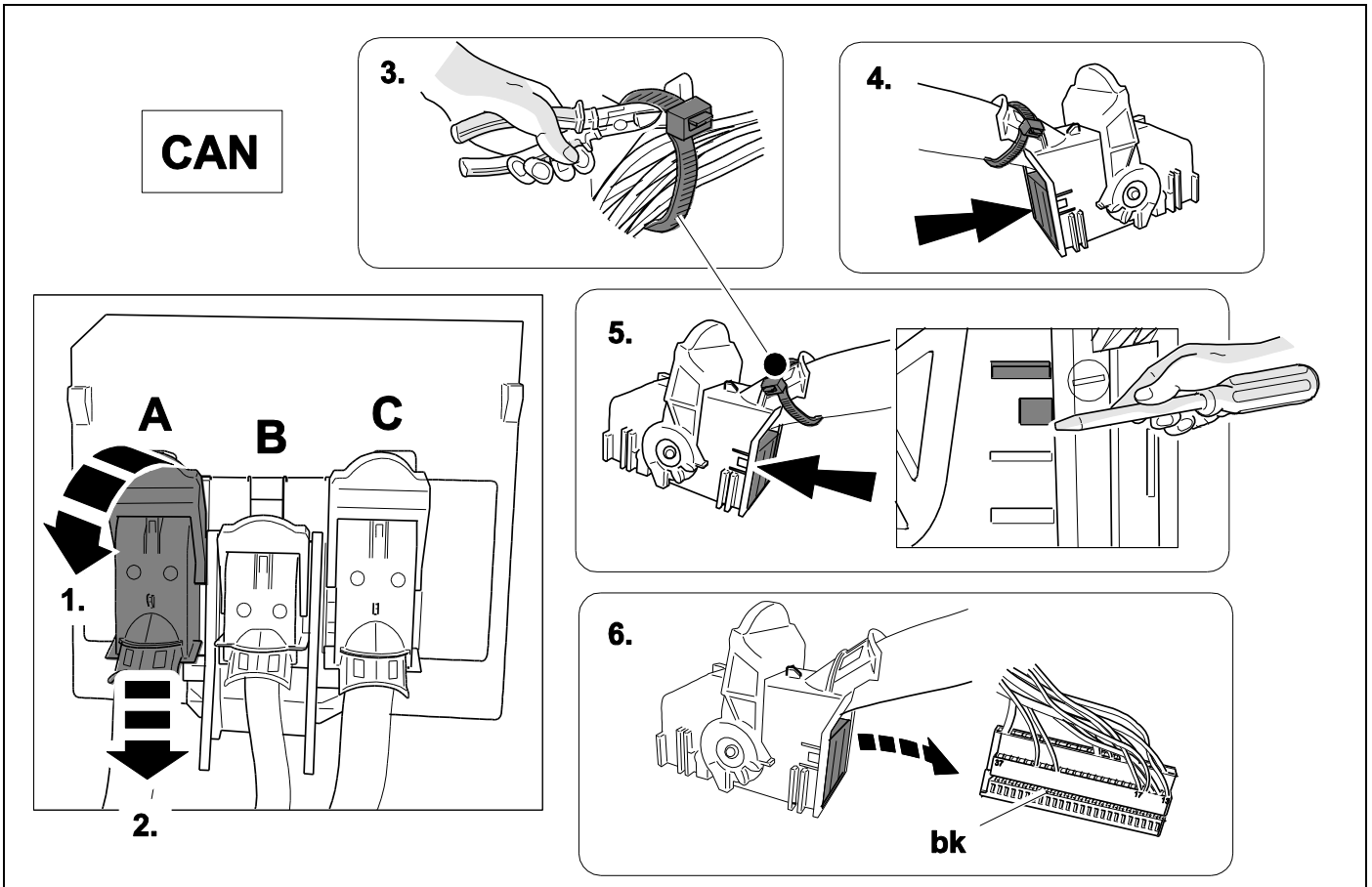
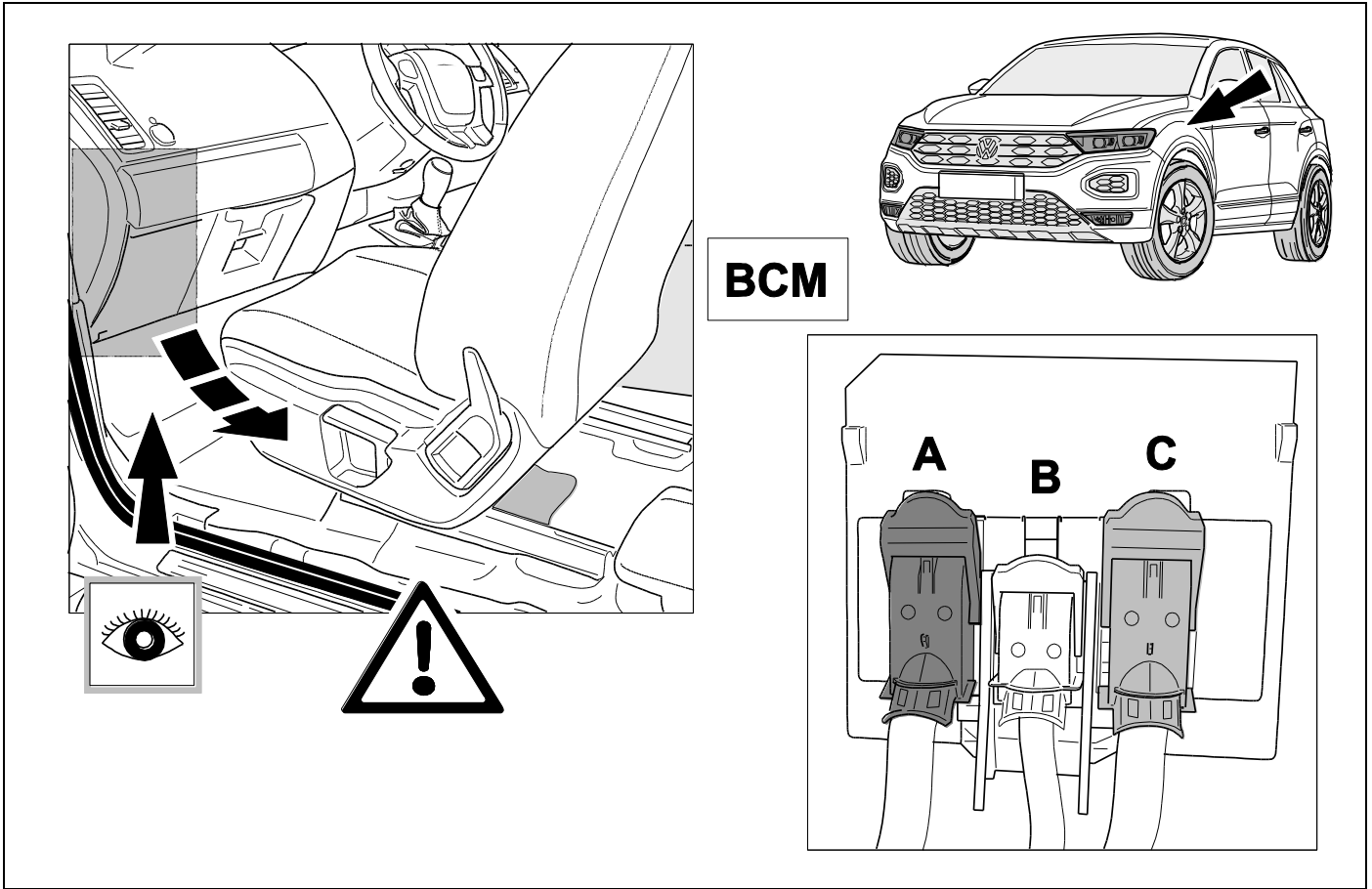
39

OPTION 2



Hot all times!



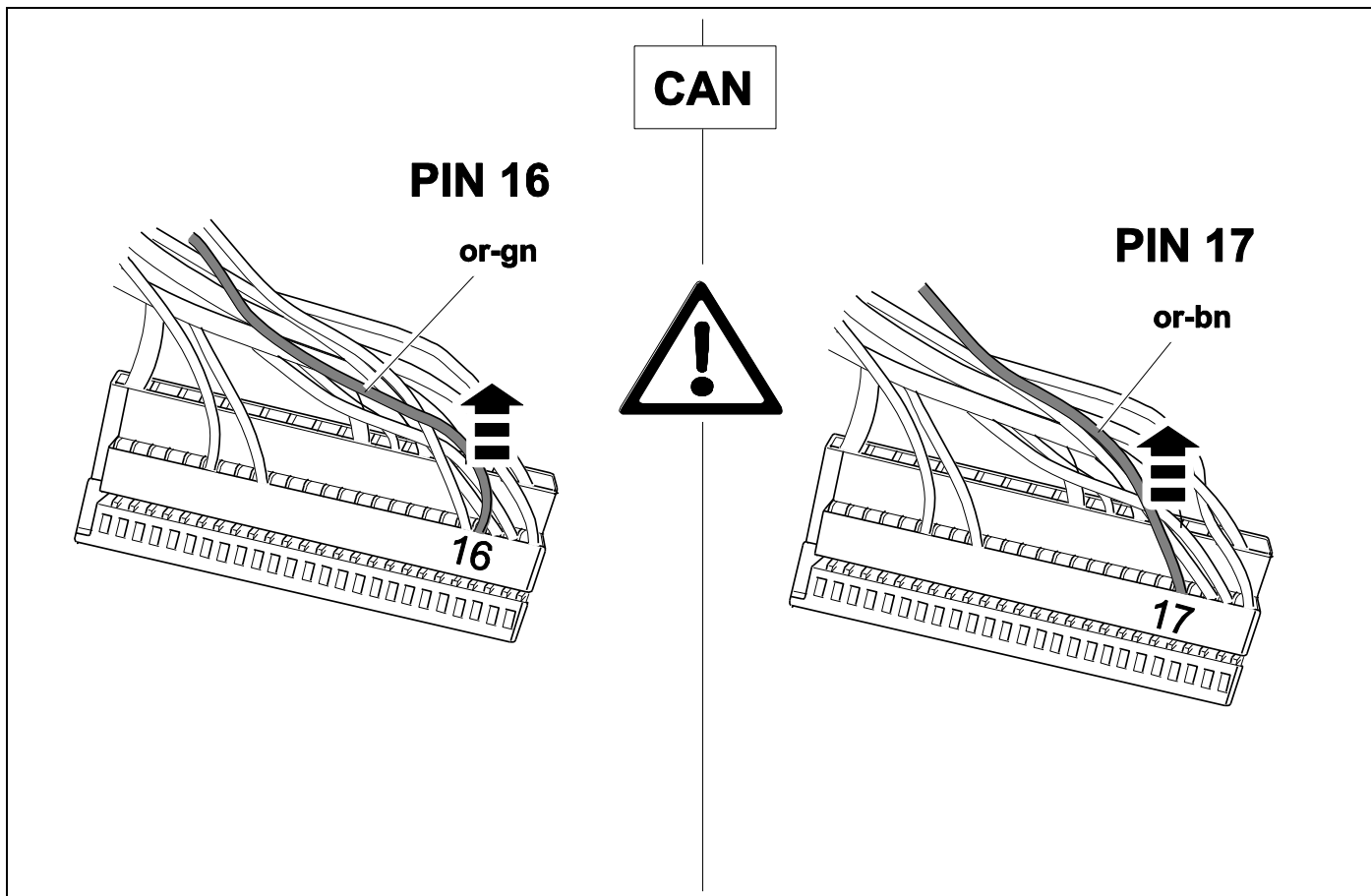


24



8

OPTION 2

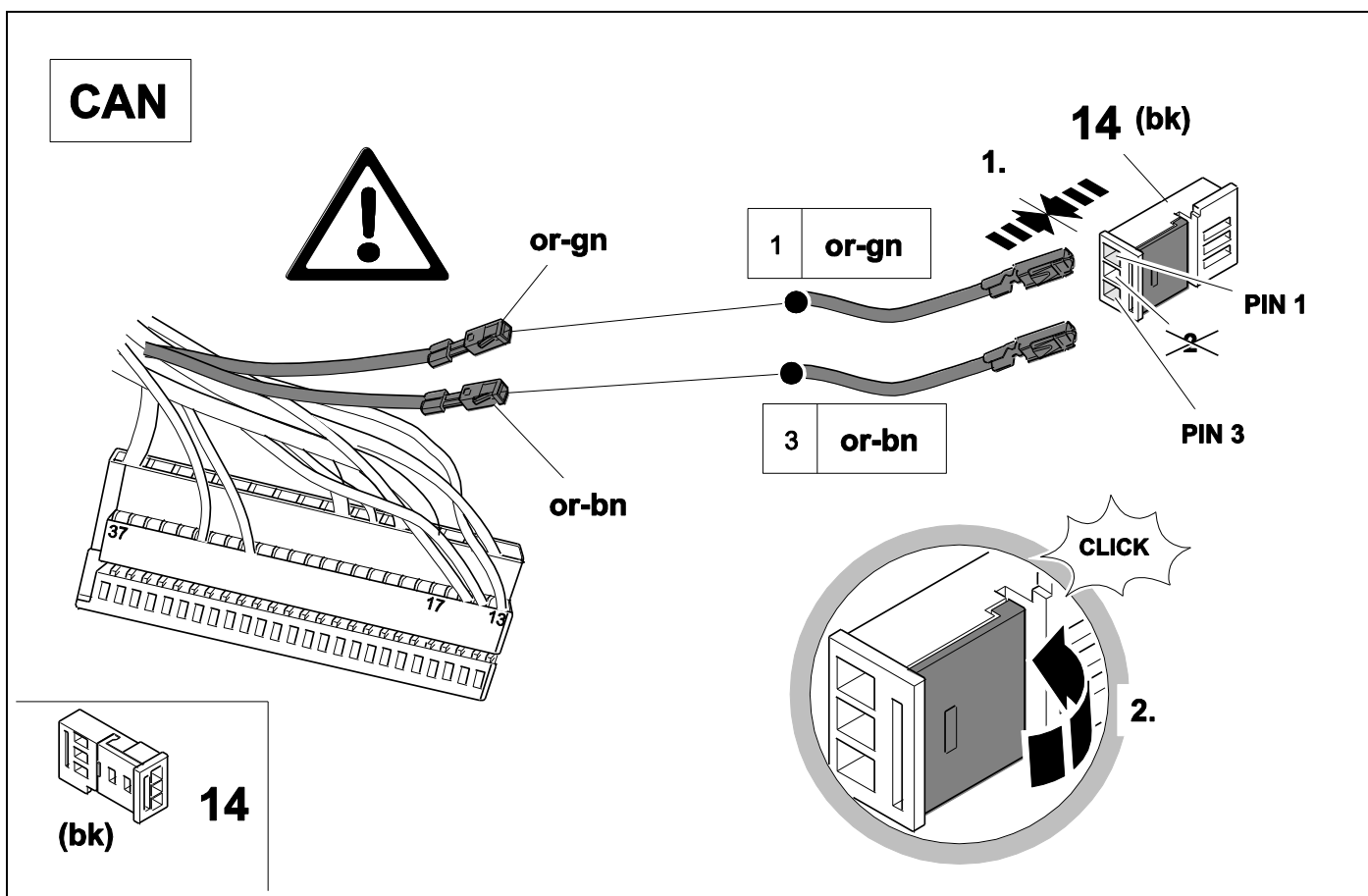


25



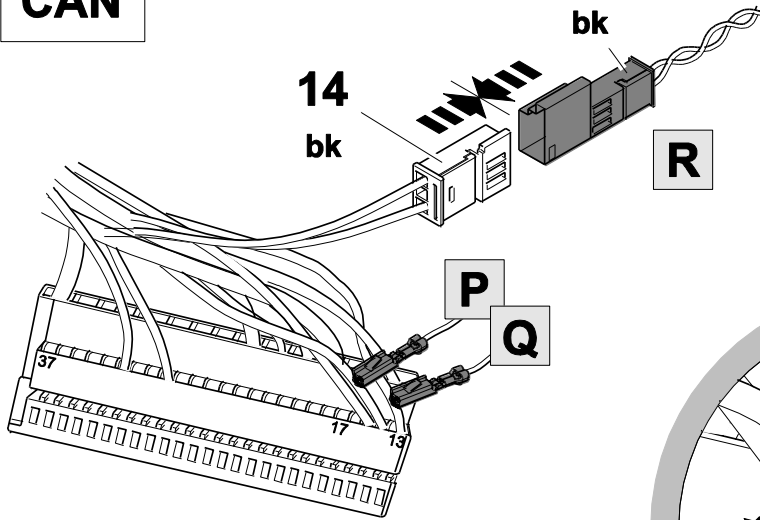
8

OPTION 2





CAN



PIN 17

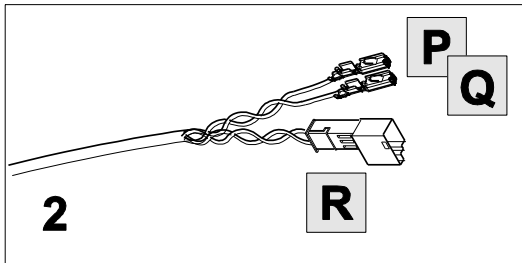
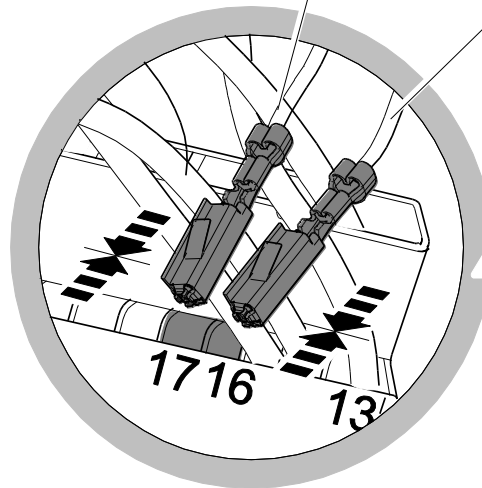
Q

or-bn

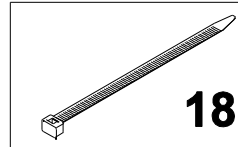
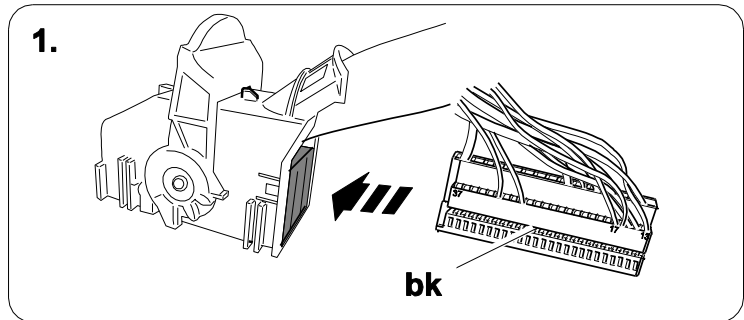
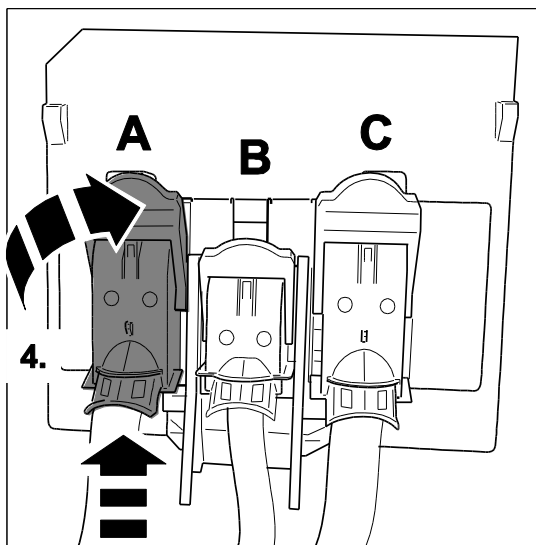
PIN 16

P

or-gn

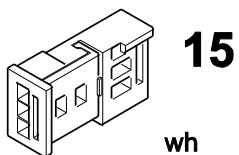
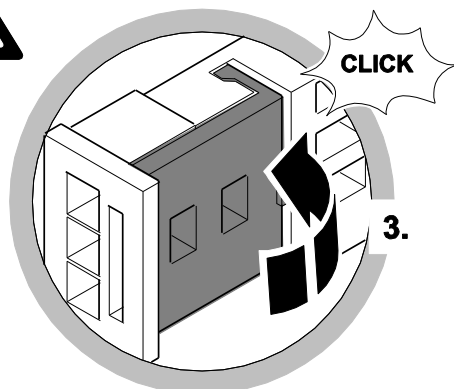
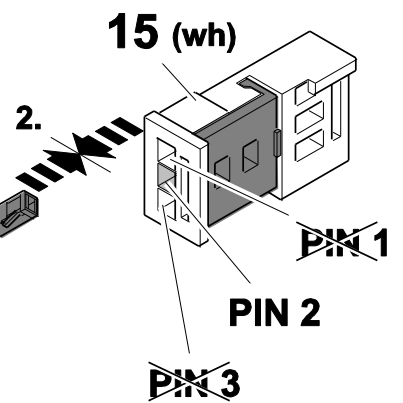
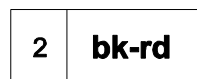
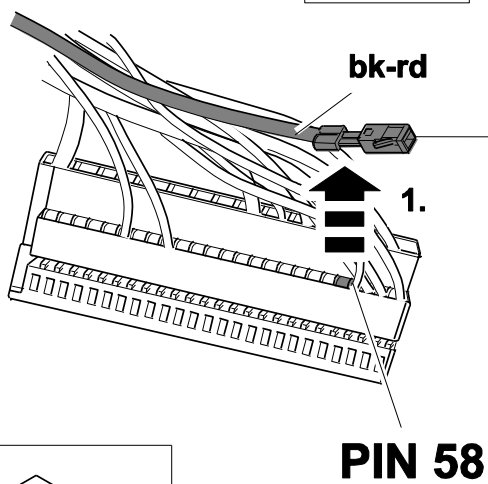
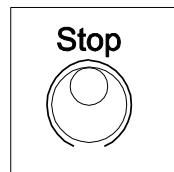
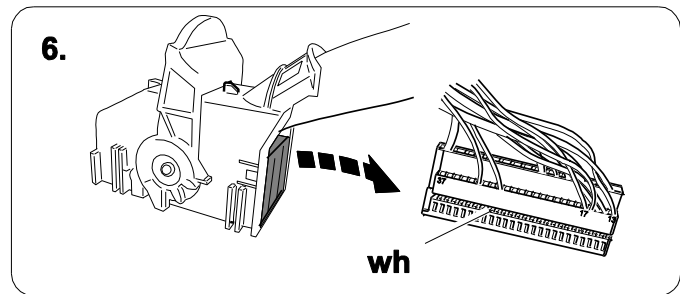
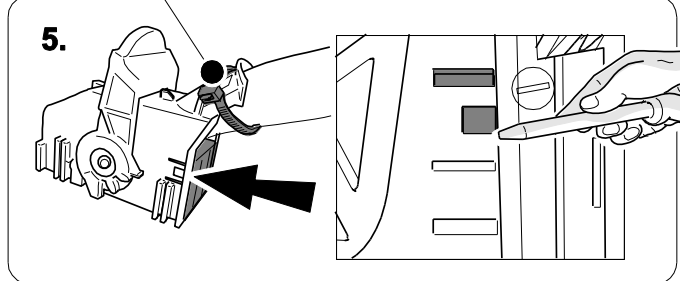
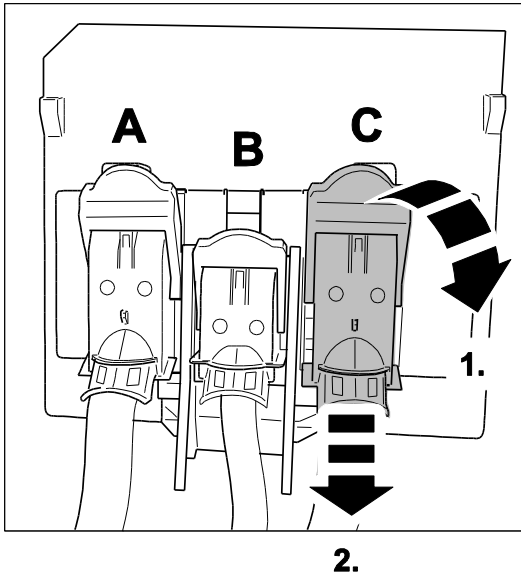
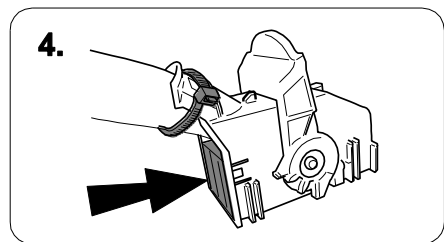
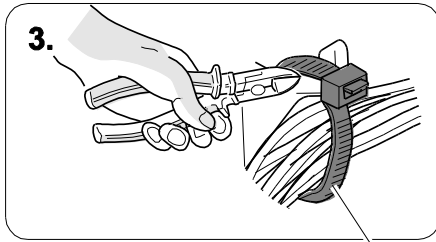


CAN





CAN

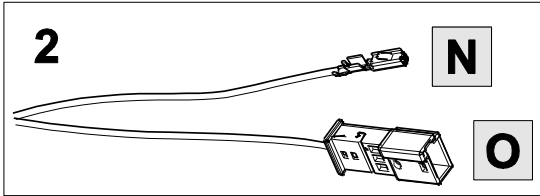
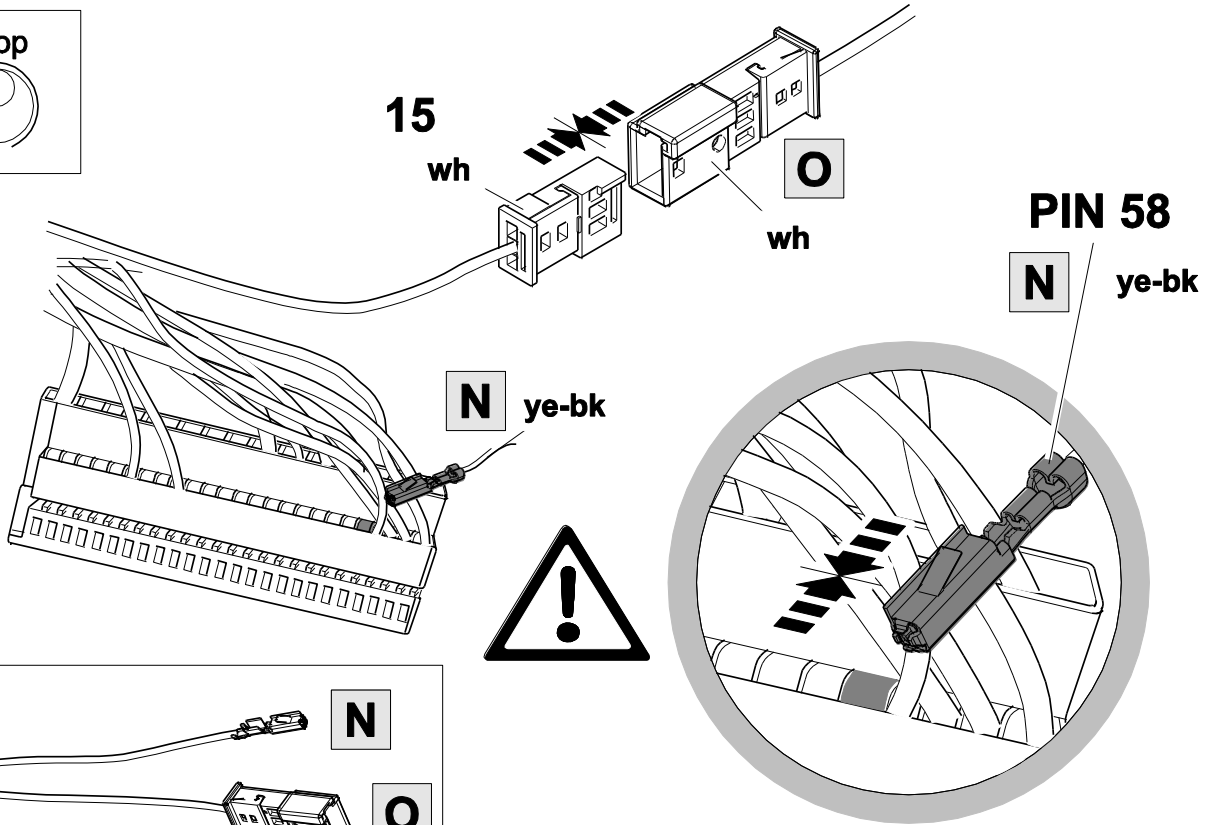
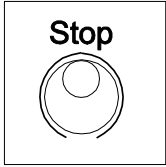


30



8

OPTION 2

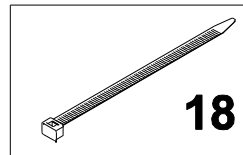
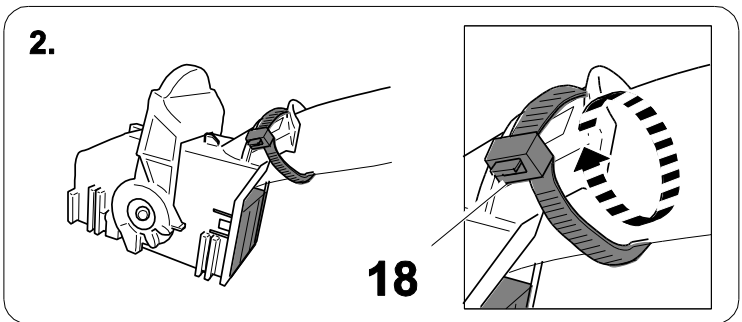
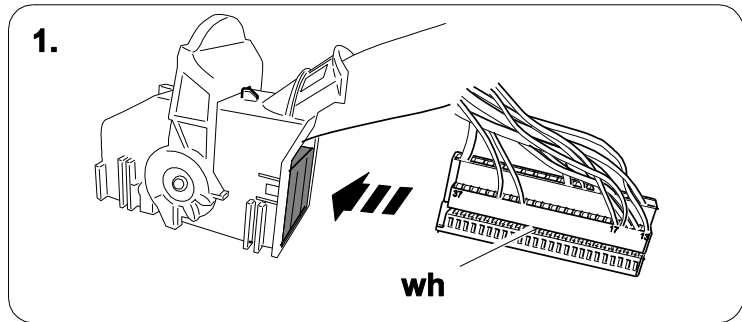
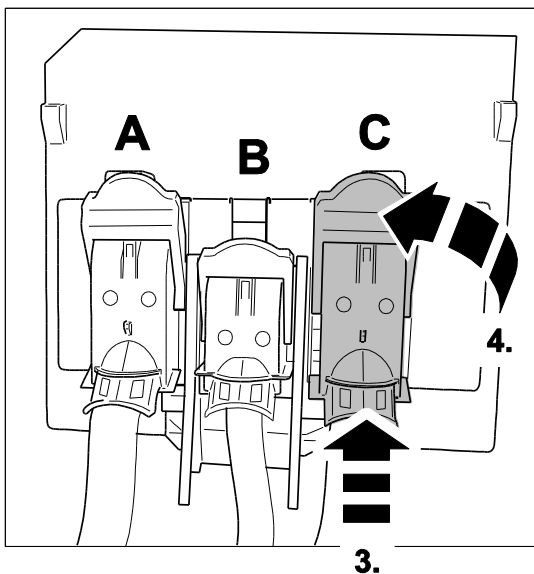
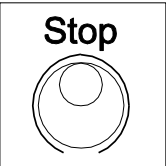


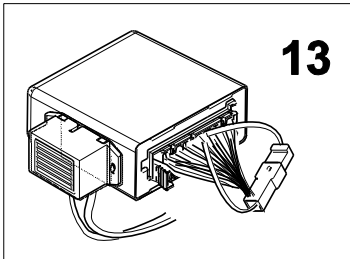
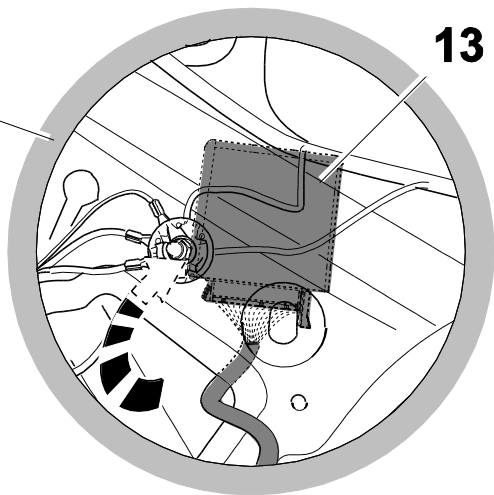
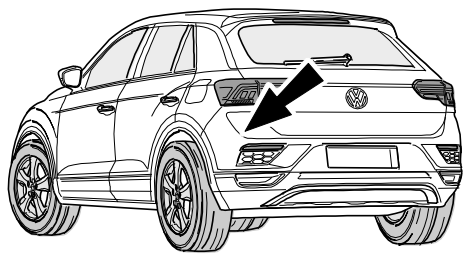
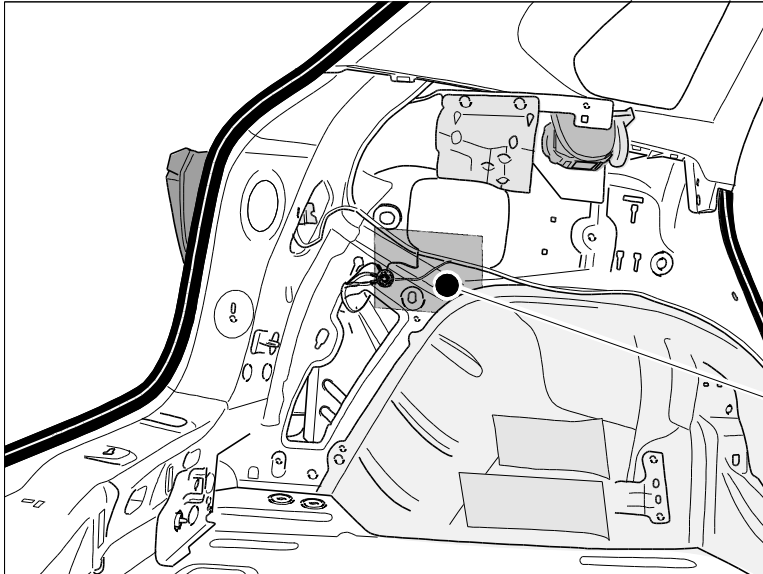
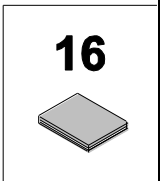
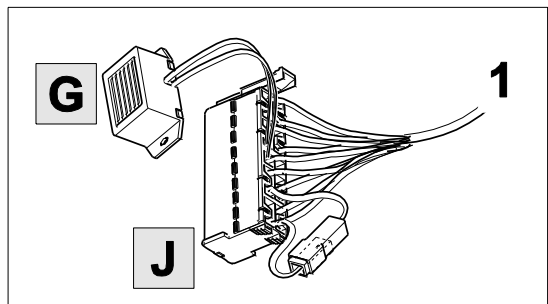
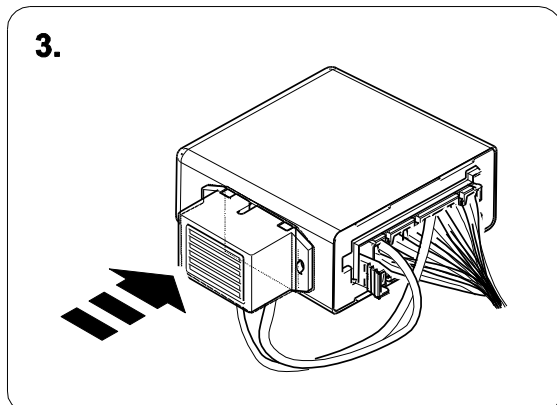
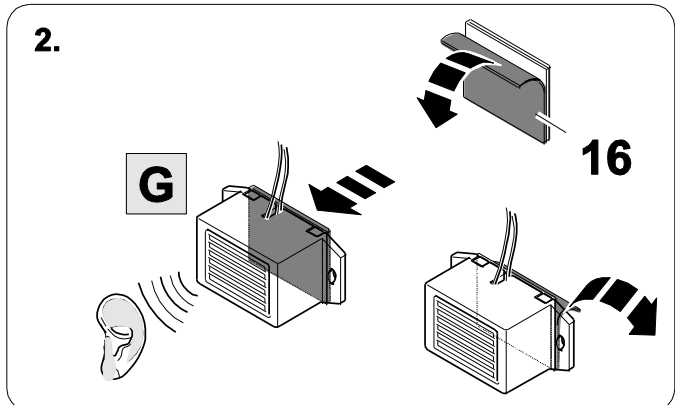
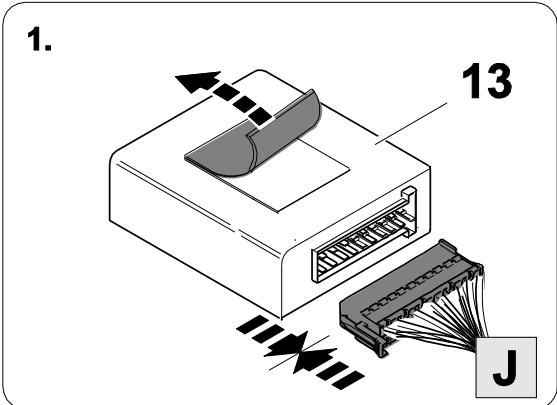
31



8

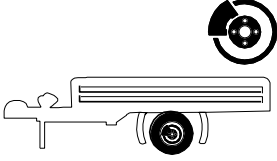
OPTION 2



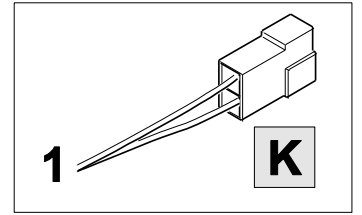




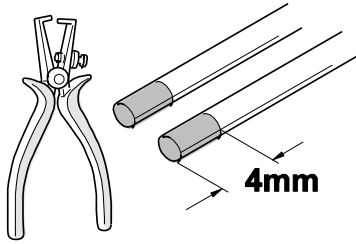
**BRAKE
CONTROLLER
PREPARED**



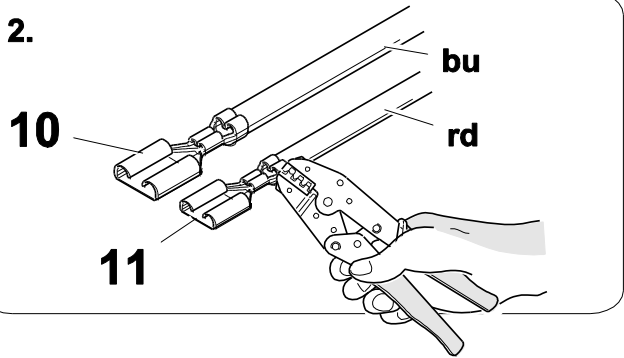
Trailer Brake Preparation



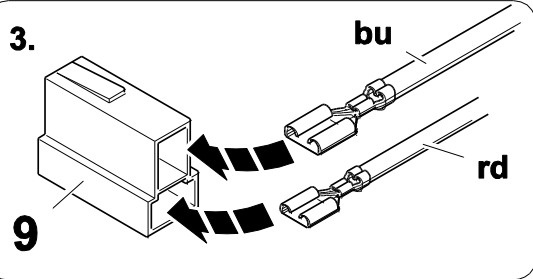
1.



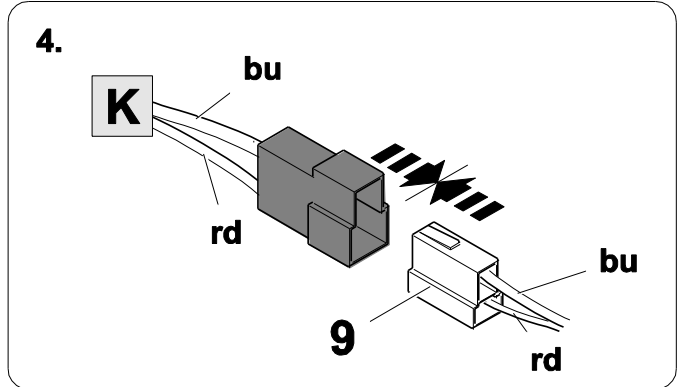
2.



3.



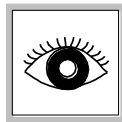
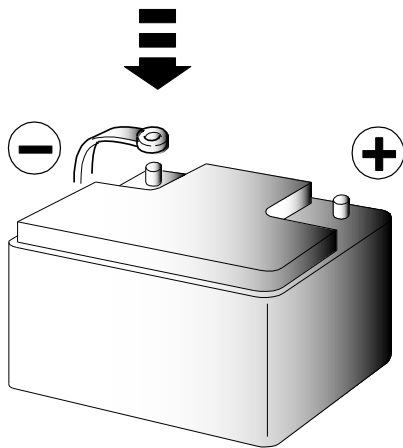
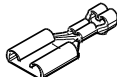
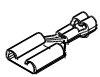
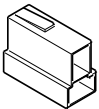
4.



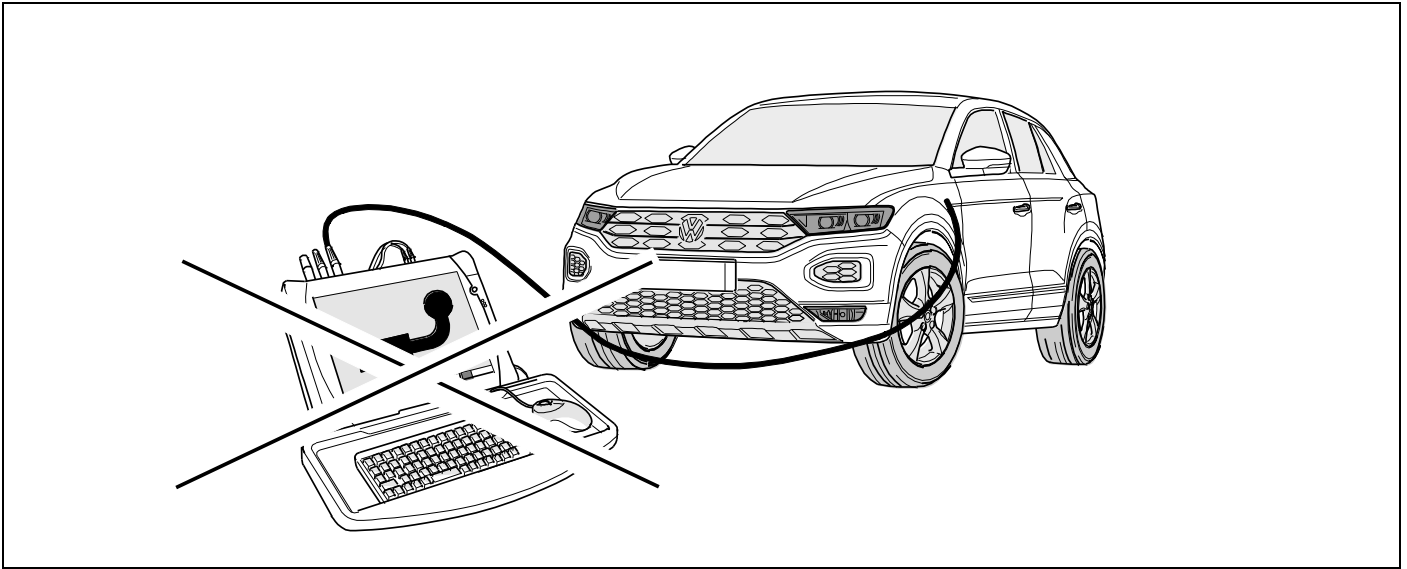
9

10

11

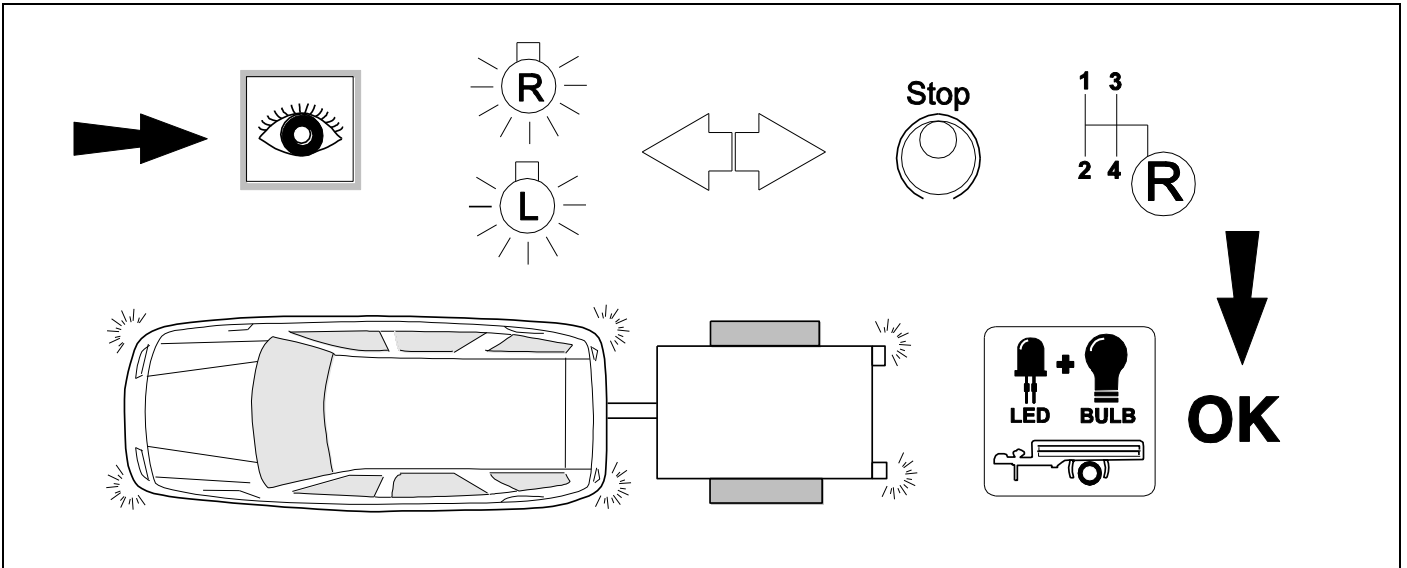


36



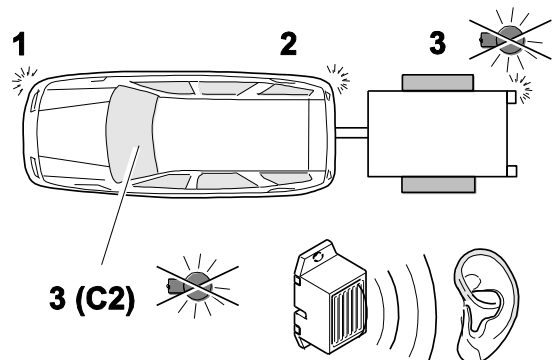
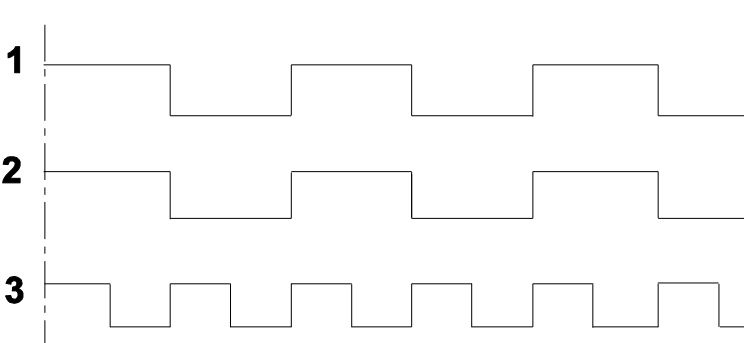
37

CHECK ALL LIGHTING FUNCTIONS



38

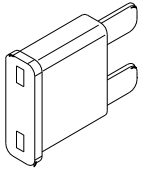
**Bulb out condition indicated
with sound from modul spaker**



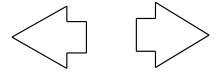
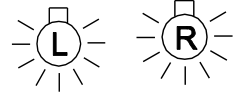
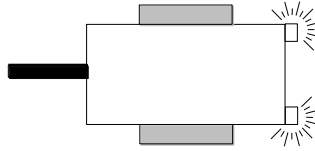
39



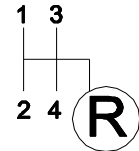
21



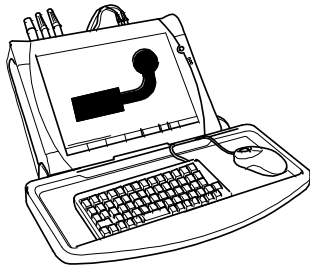
20 A



Stop



40



With vehicle coding



41



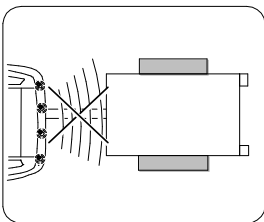
44

TSP
Trailer
Stability
Program

! Attention !

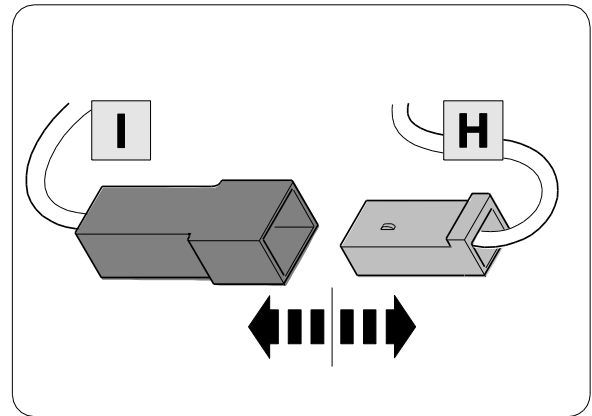
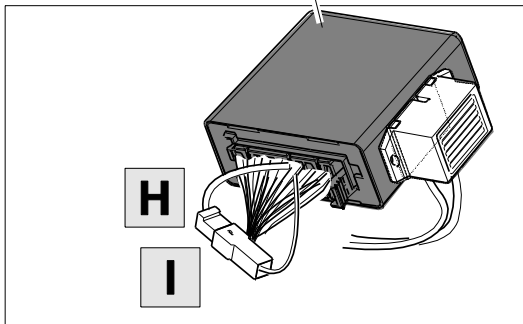
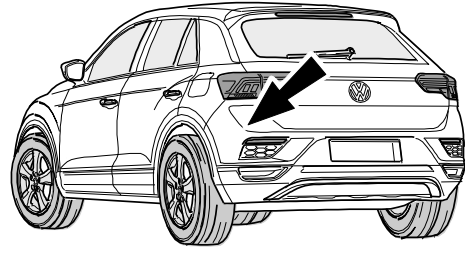
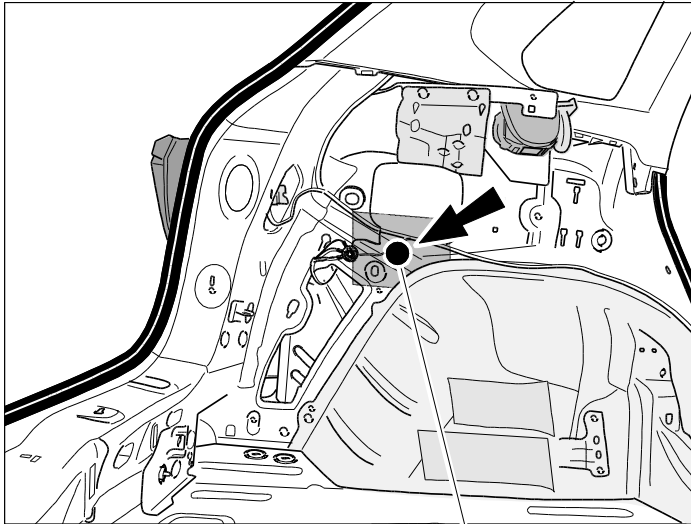
These codings may be lost

after visiting an authorized workshop!



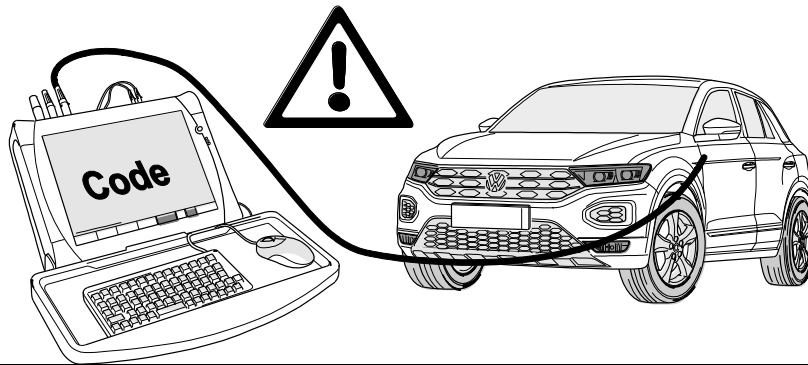
P 
Trailer
Assistent

41



42

OPTION vehicle coding



GB

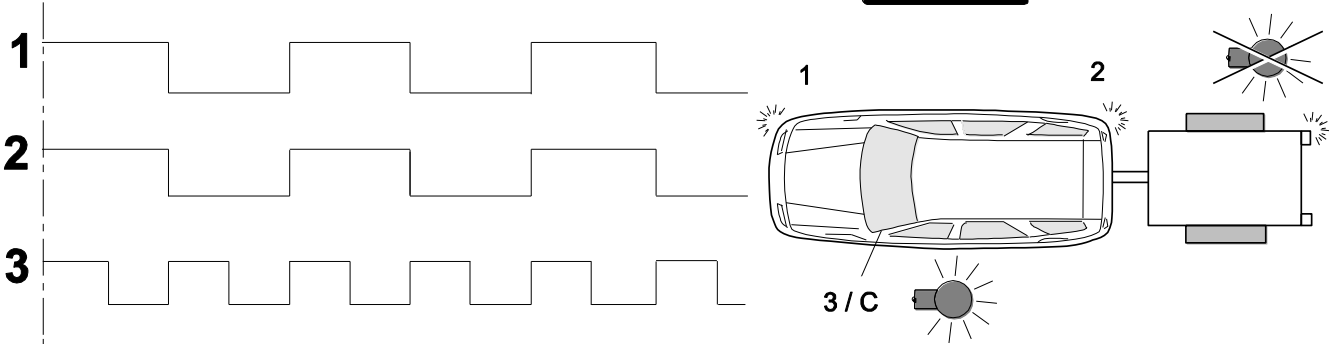
For activation of the trailer function, the coding capability should be clarified / agreed with the respective manufacturer of diagnostic system.

Possible diagnosis systems (local / offline):

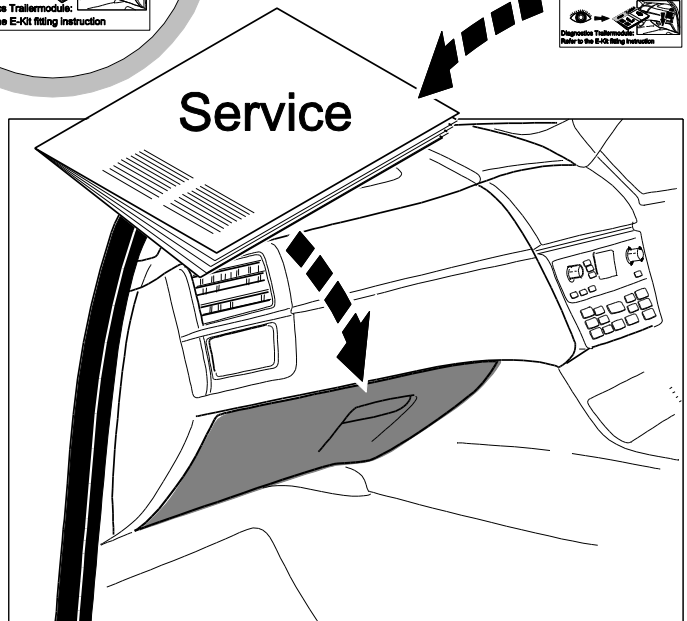
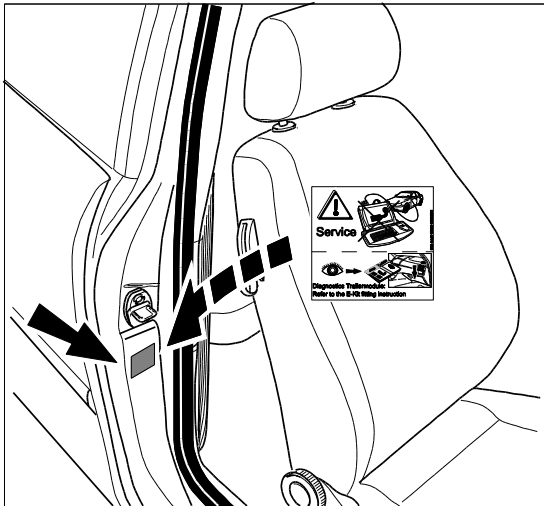
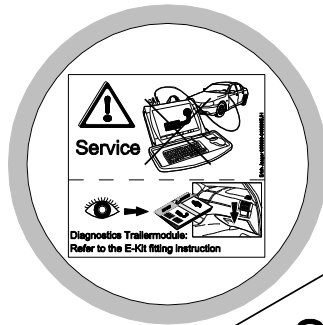
- ODIS / VCDS
- Hella Gutmann
- SP Diagnostic
- Westfalia Auto Code

CHECK BULB OUT DETECTION

BULB OUT CONDITION INDICATED WITH INCREASED INDICATOR FREQUENCY



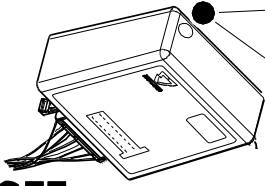
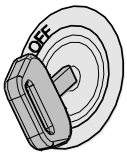
2x 12



Status LED für Eigendiagnose

Status LED for self-diagnosis

Operation support



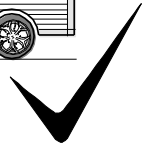
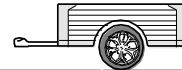
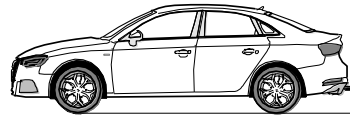
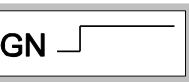
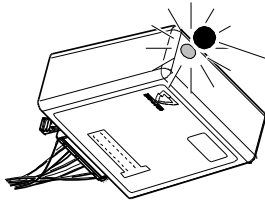
No CAN-Data =



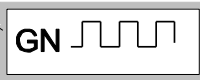
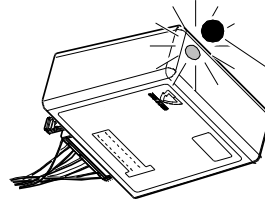
Standby / Sleepmode



Ignition OFF



Ignition ON



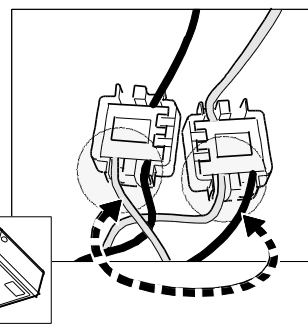
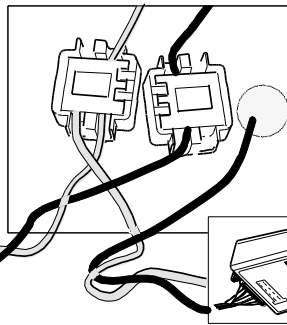
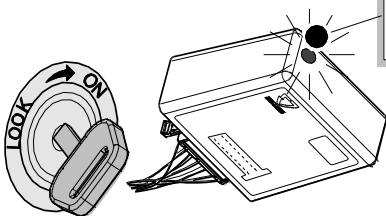
Ignition ON

Failure support

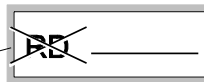
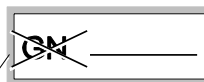
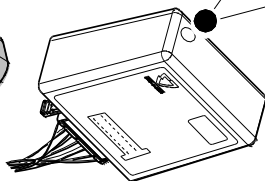
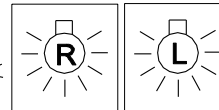
CAN-Data Wire



1x max. 5 min.



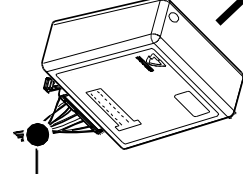
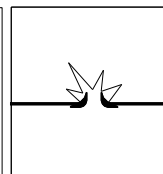
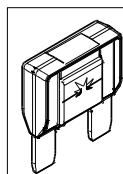
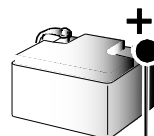
Ignition ON



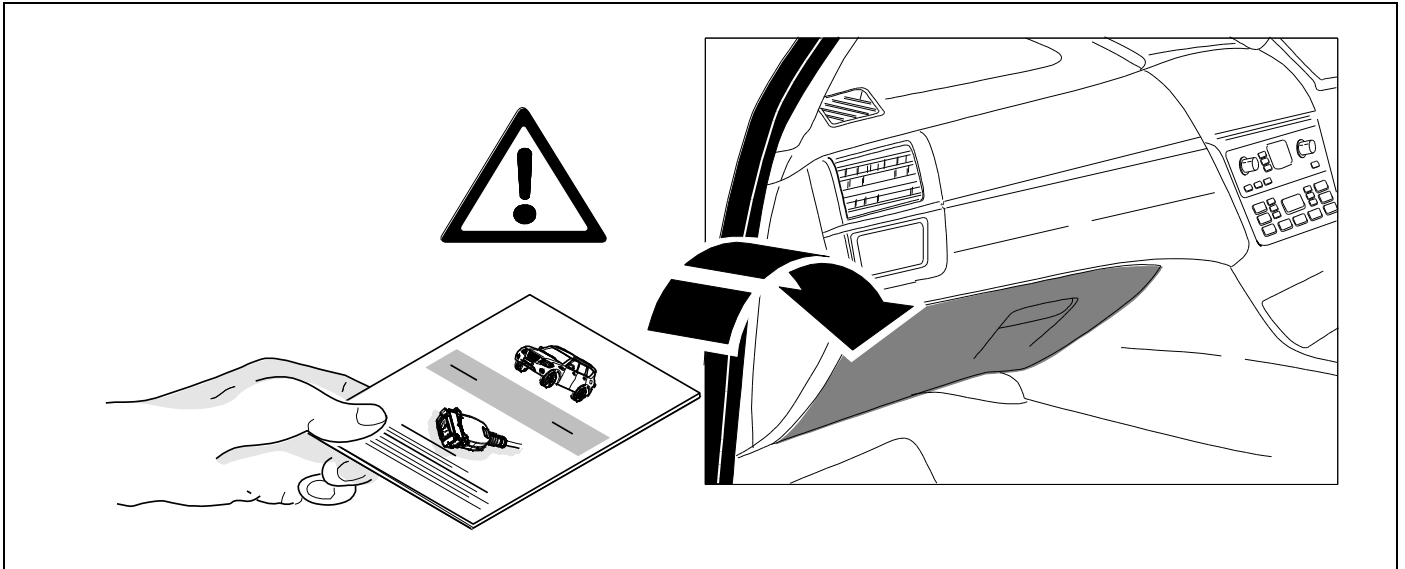
PIN 17 oder / or



PIN 1



Ignition ON



Subject to change in terms of construction, equipment and colour, and may contain errors.
The information and illustrations are non-binding.