

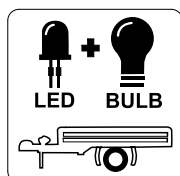
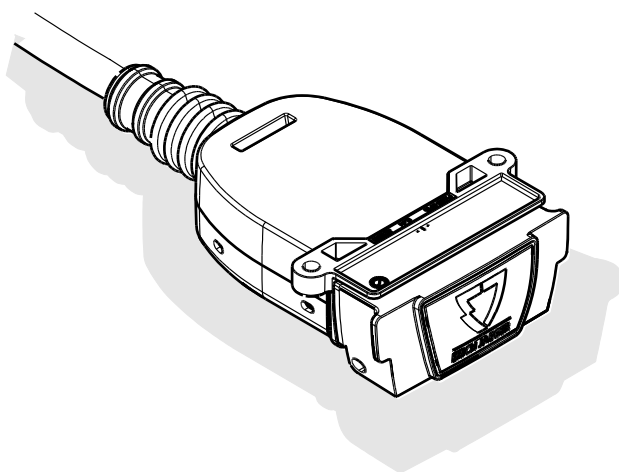
750073EJ

AUDI Q5

01/17 >>



SCAN FOR
LATEST
INSTRUCTIONS



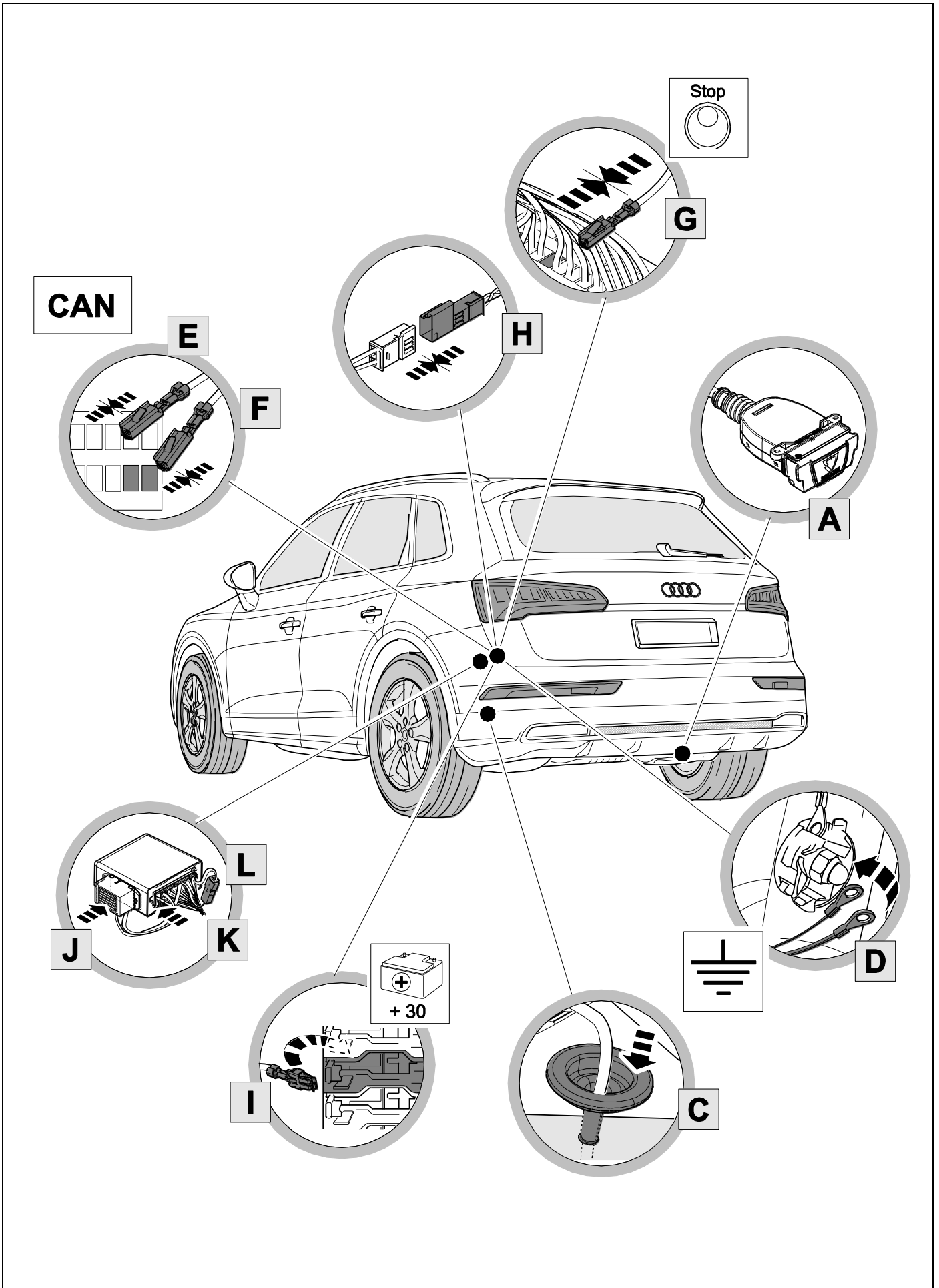
Reference:

The following information must be reviewed before beginning the assembly:

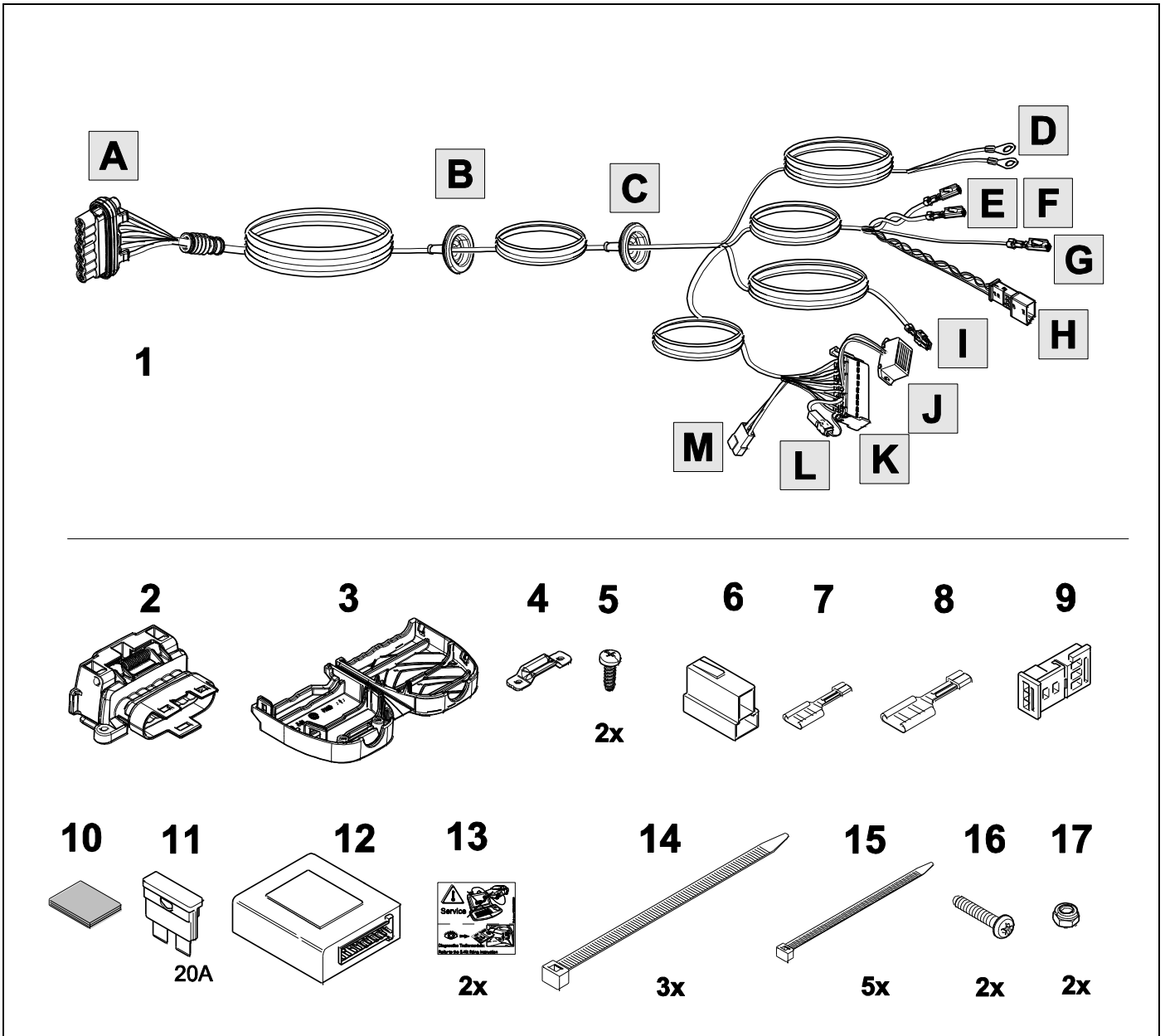
The installation instructions are to be thoroughly read.

The installation should be carried out by qualified personnel with the relevant technical knowledge. The vehicle manufacturers' current technical notices and information on retrofitting must be followed. The removal and replacement instructions found in the current repair manuals must be followed.

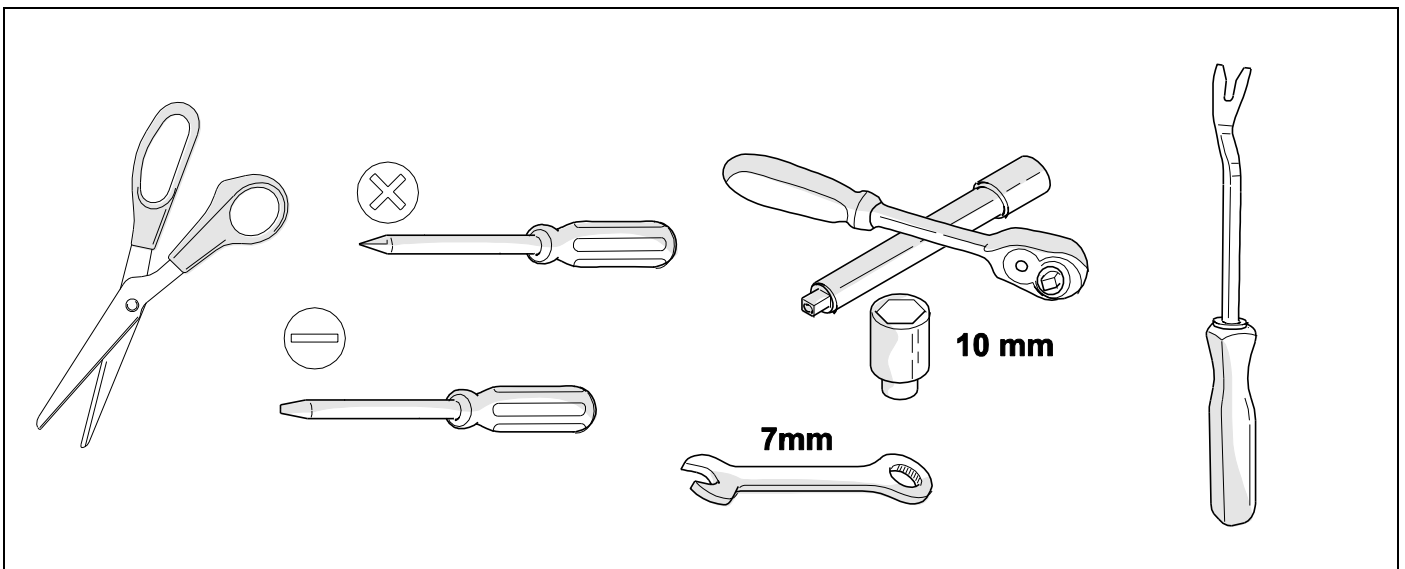
It must be ensured that the vehicle is technically suitable for the installation of a trailer hitch.



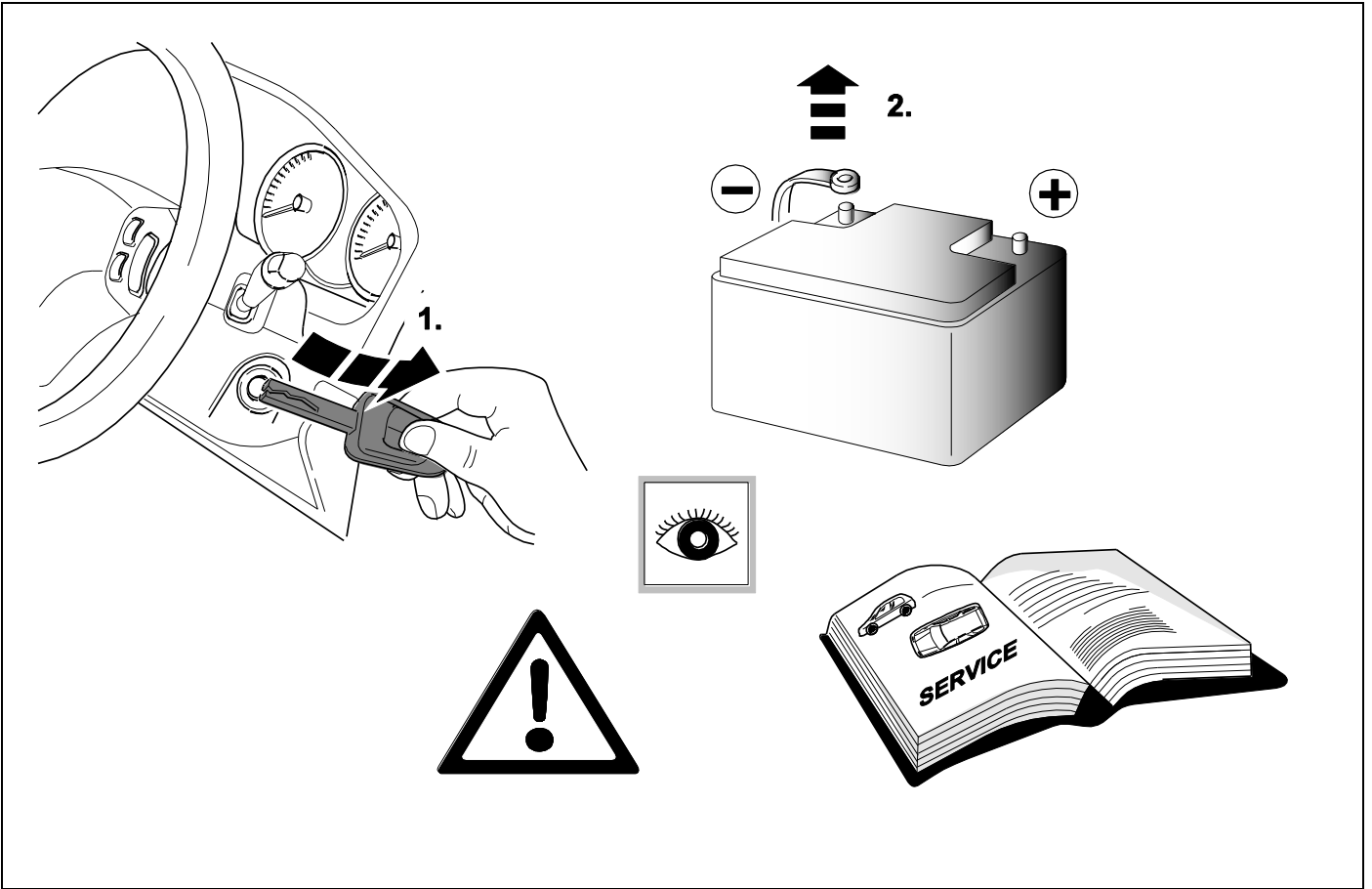
KIT



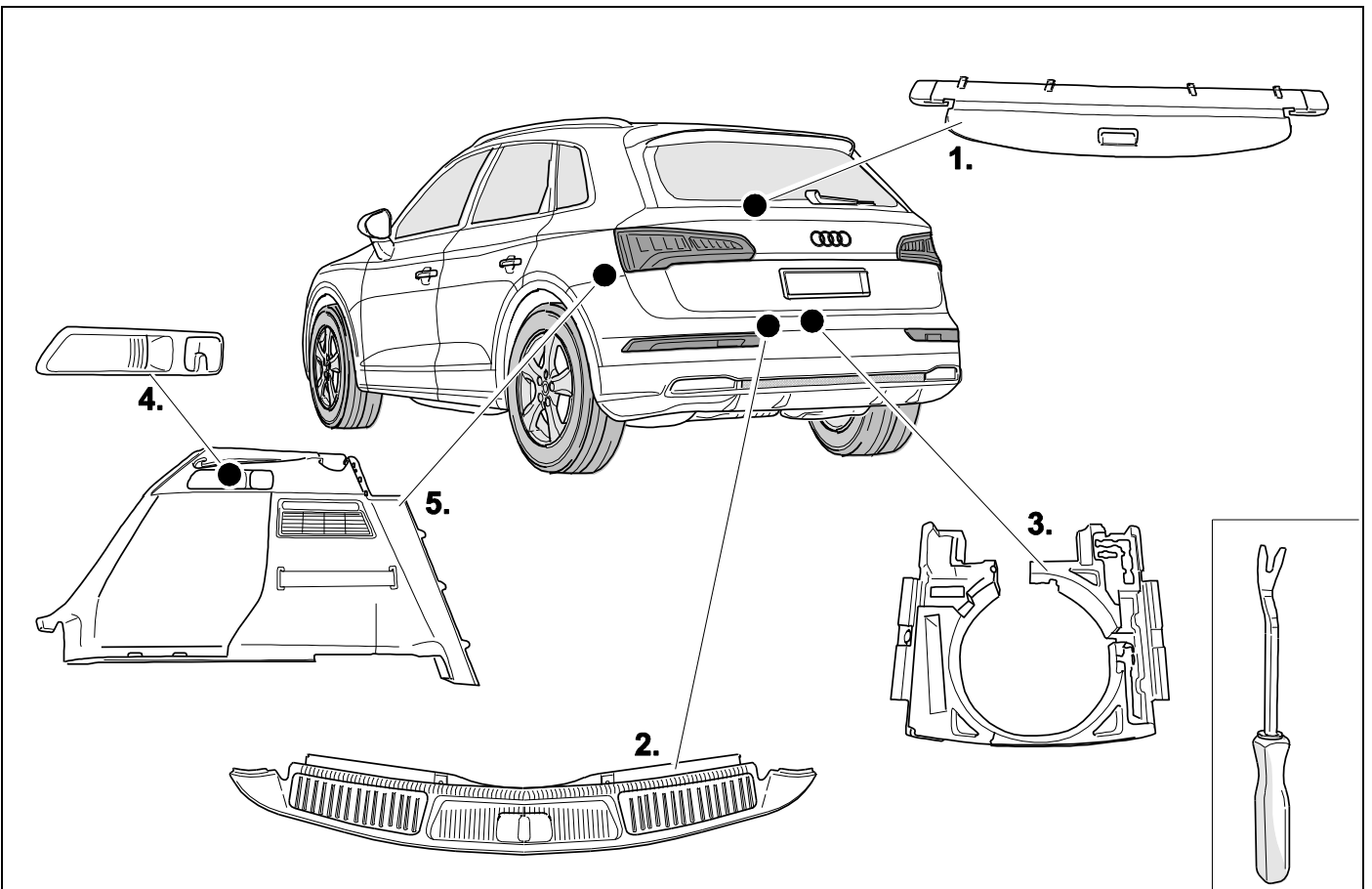
TOOLS

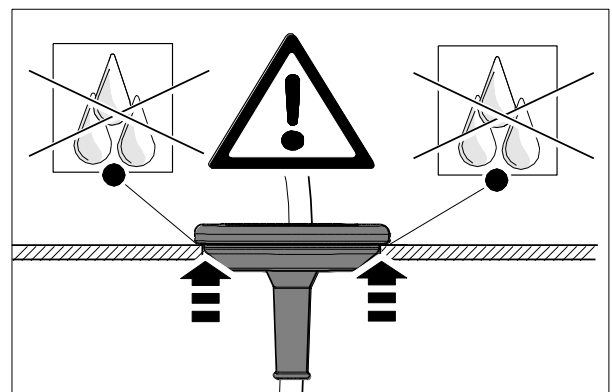
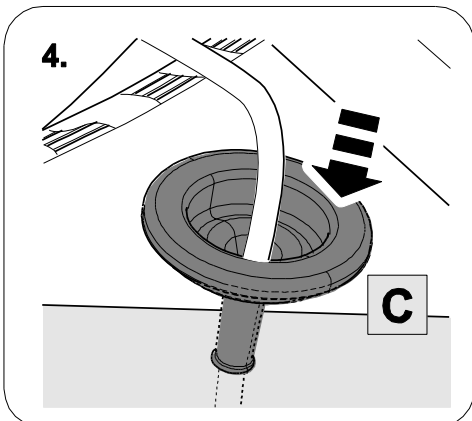
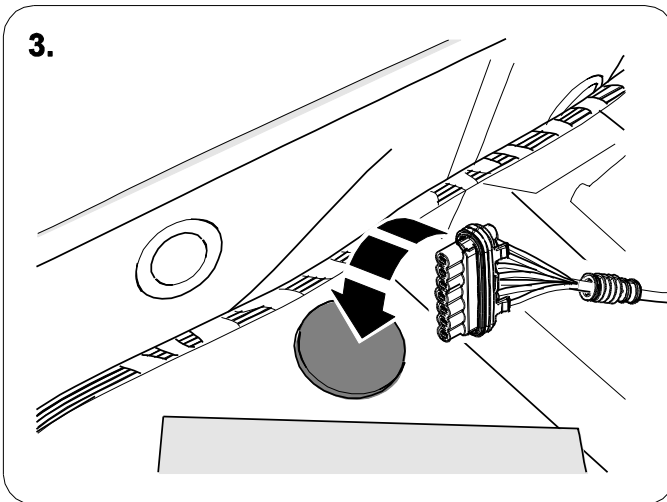
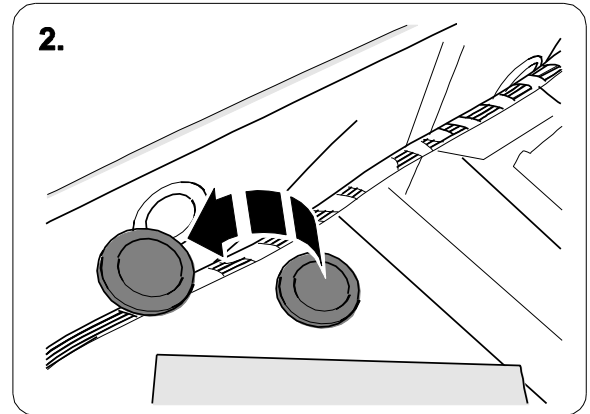
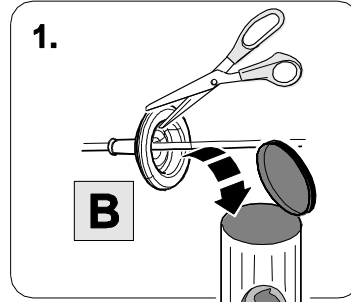
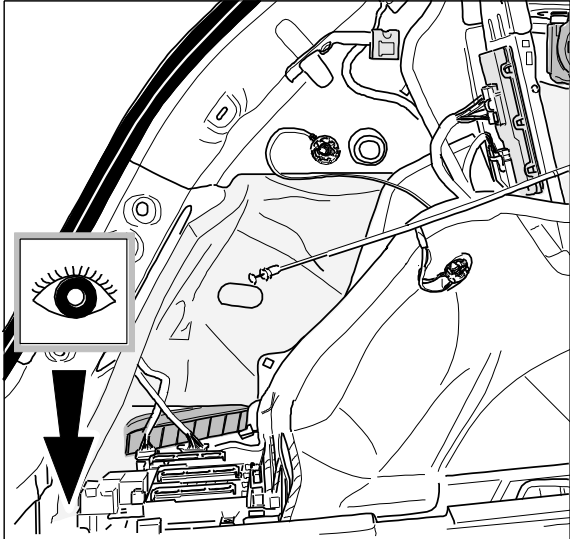
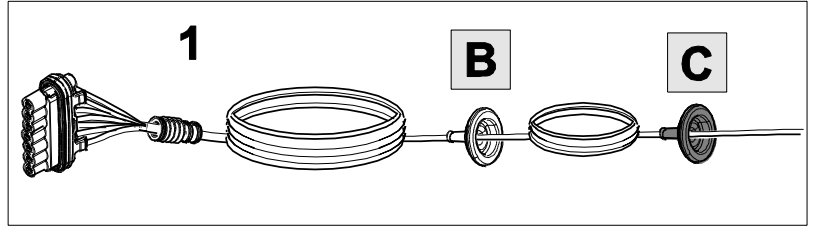
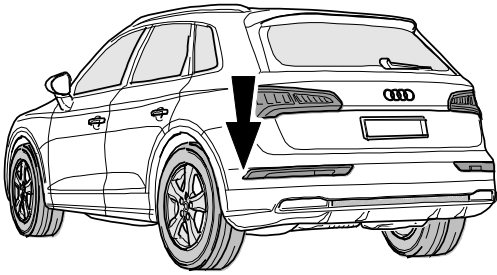


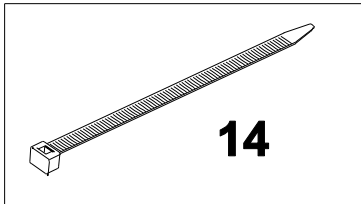
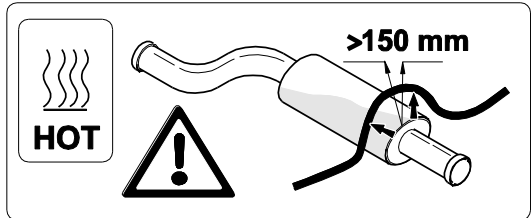
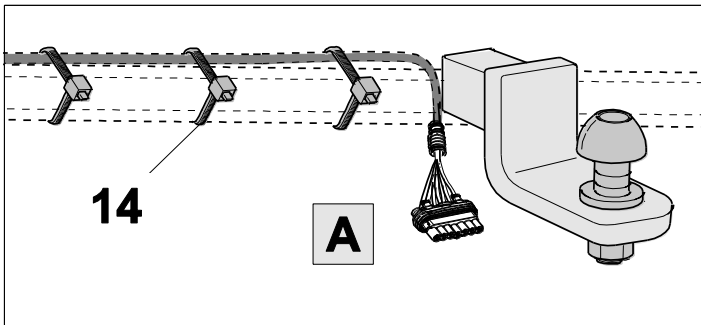
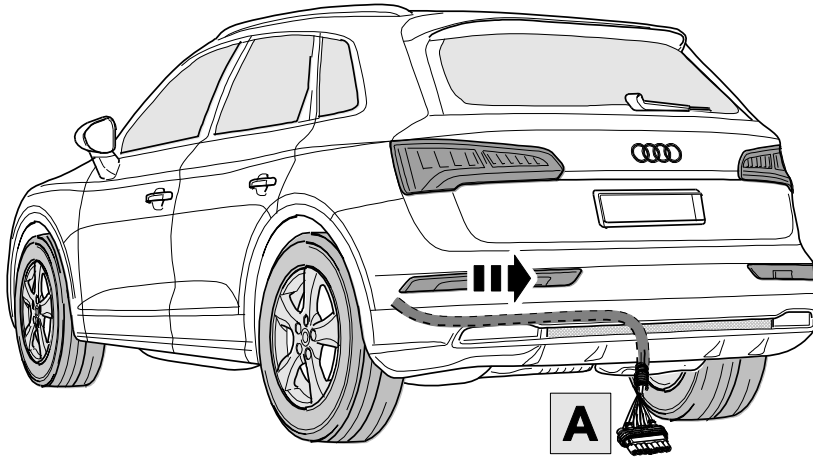
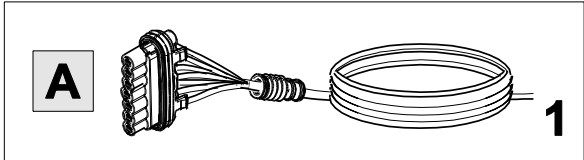
1



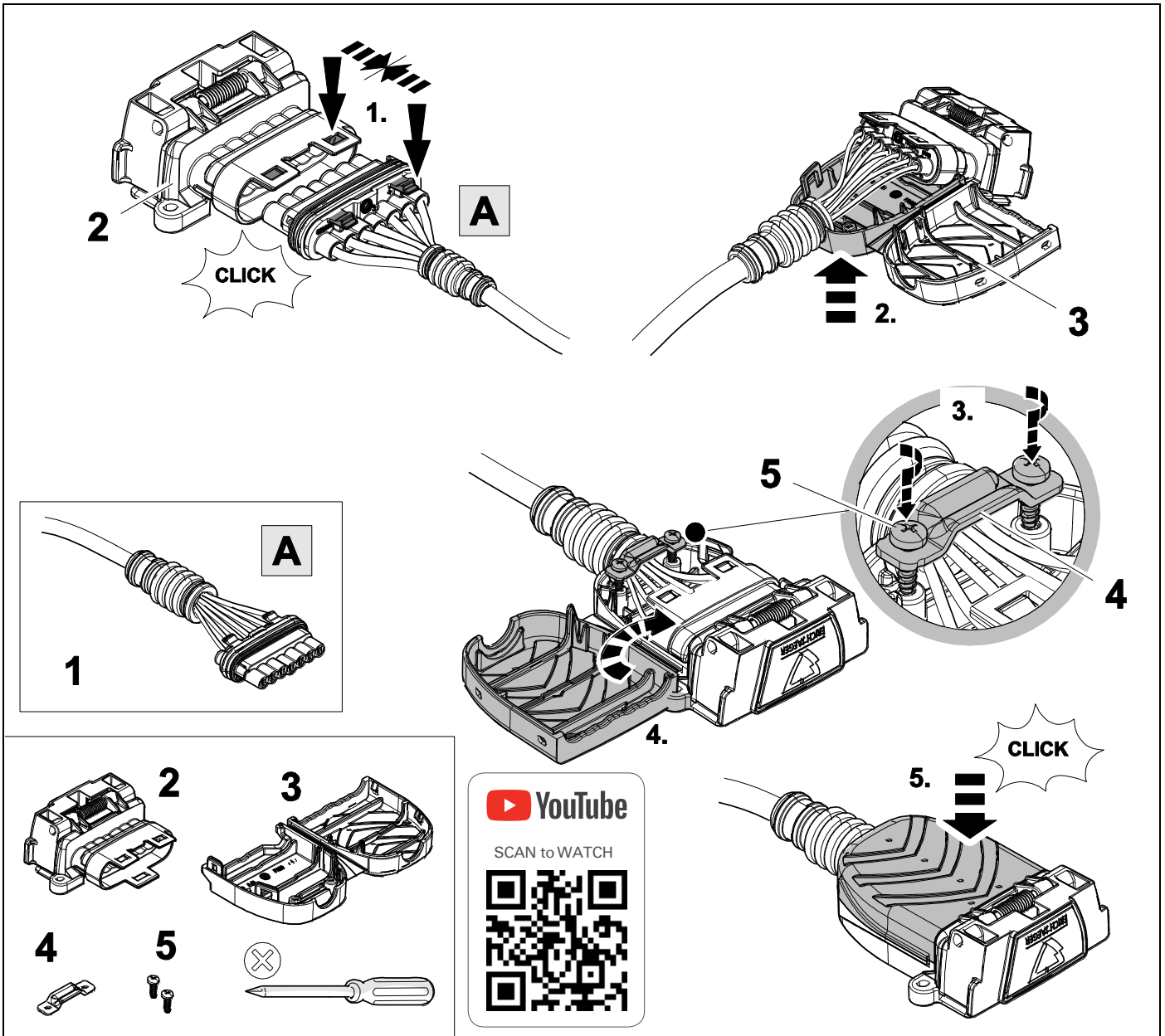
2



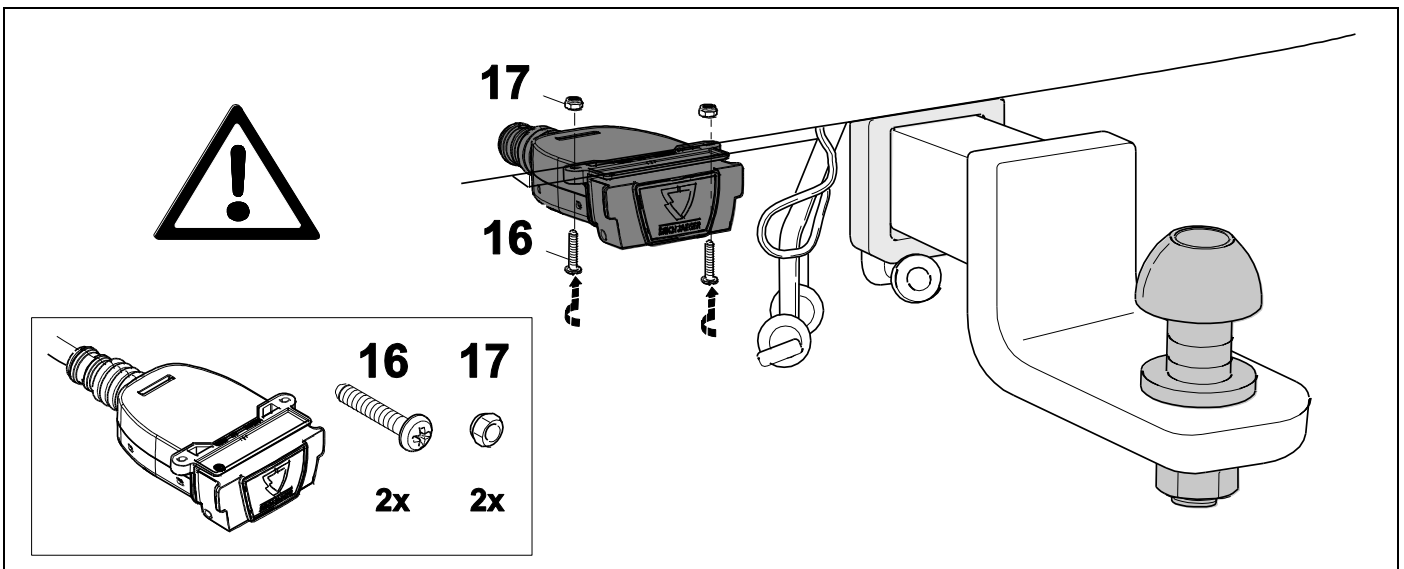




5



6



7



8

1	ye	
2	bk	
3	wh	
4	gn	
5	bu	
6	rd	
7	bn	

8	bk	wh	gy	gn	rd	bu	ye	bn	pu	or	no
---	----	----	----	----	----	----	----	----	----	----	----

	black	white	grey	green	red	blue	yellow	brown	purple	orange	not occupied
--	-------	-------	------	-------	-----	------	--------	-------	--------	--------	--------------

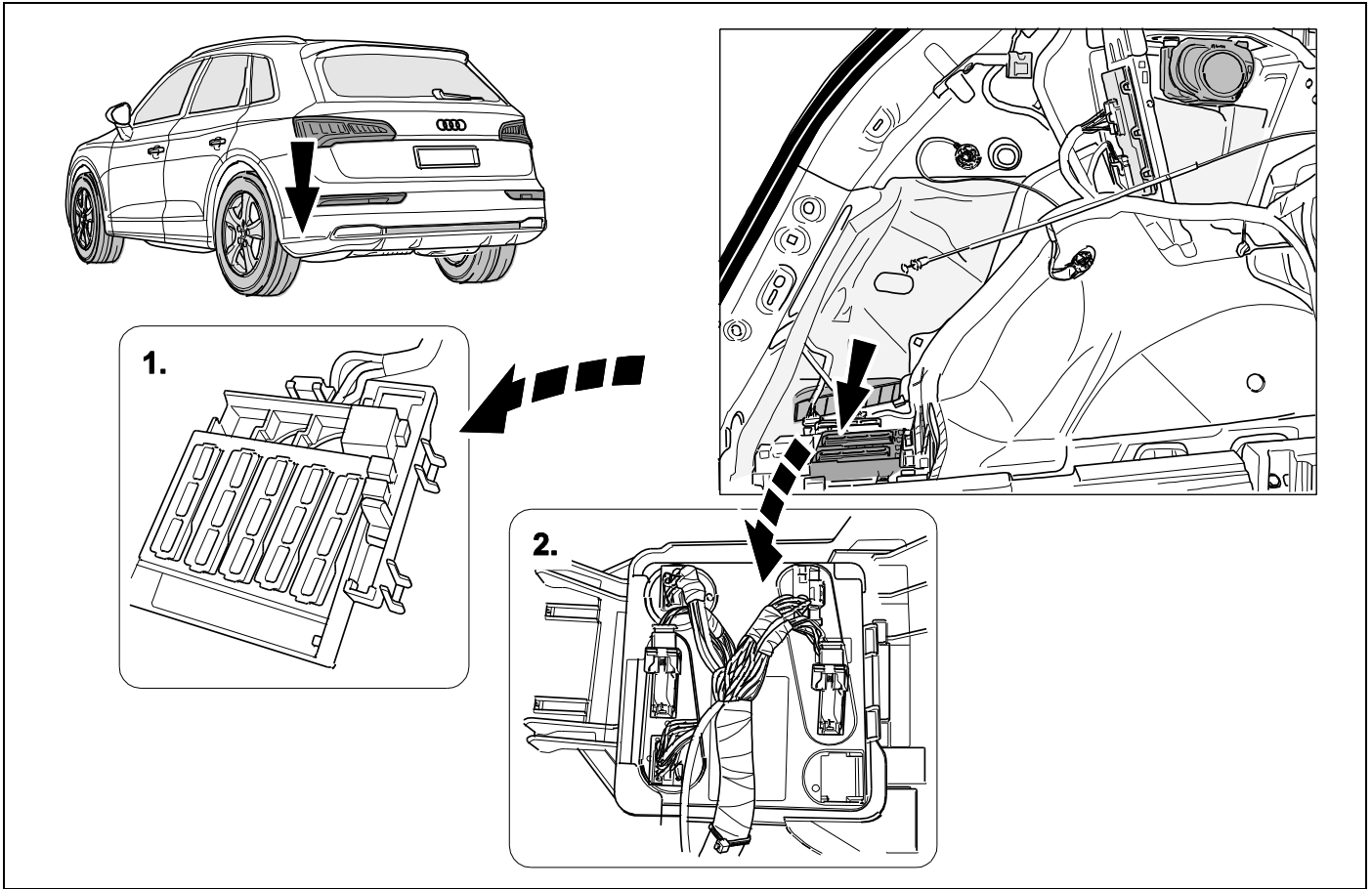
9

1

1

10 mm

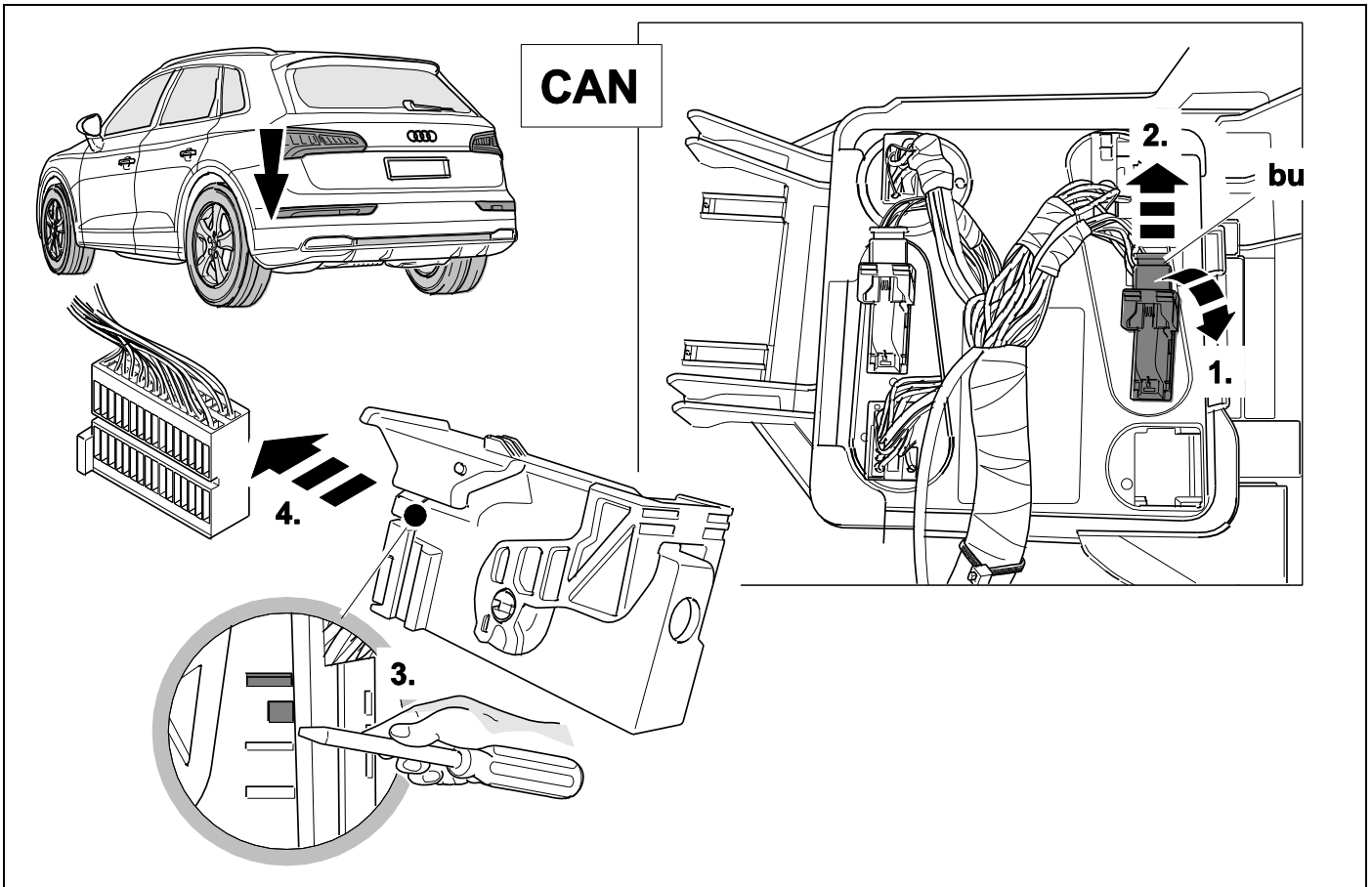
10



11



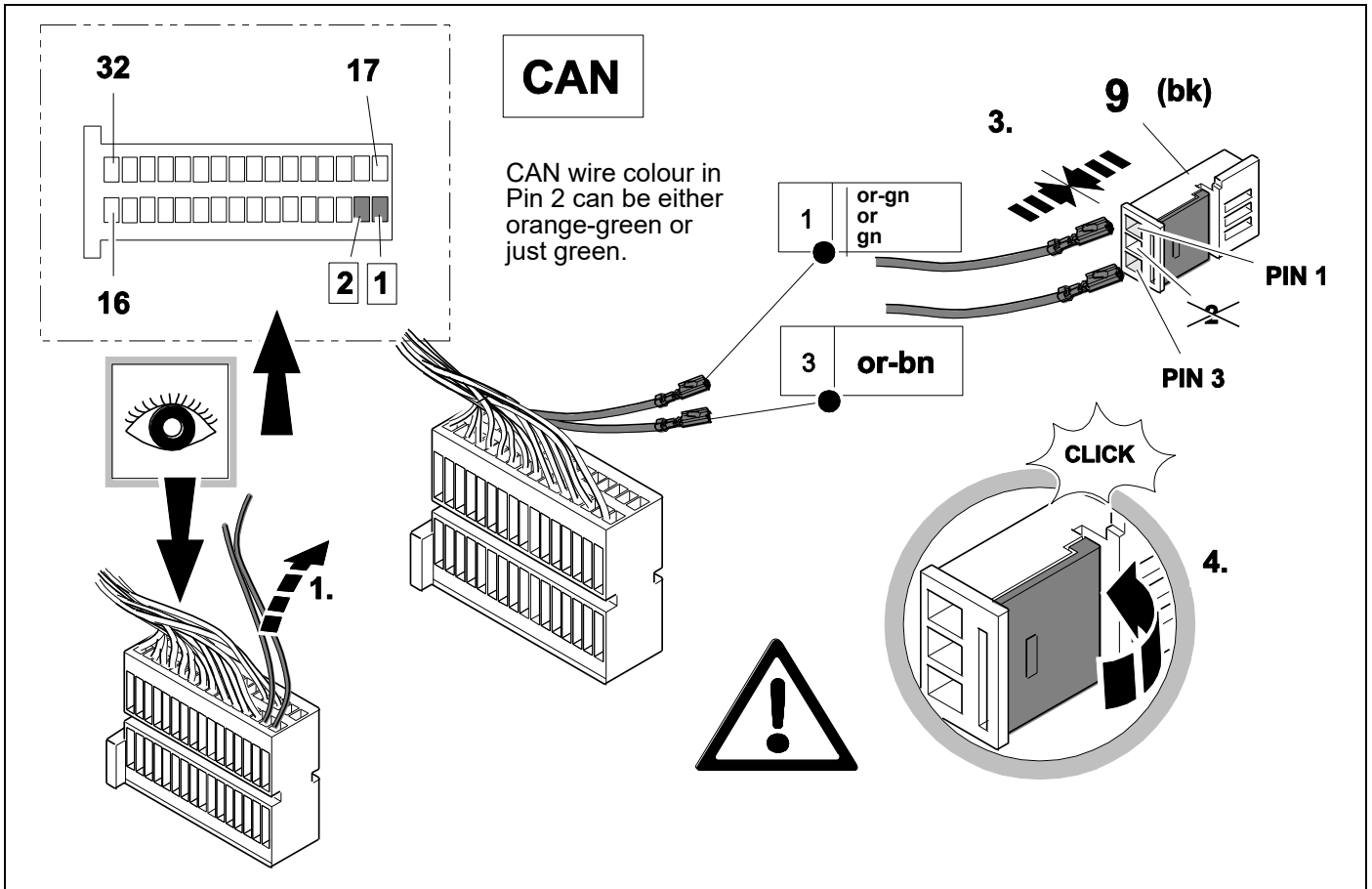
8



12



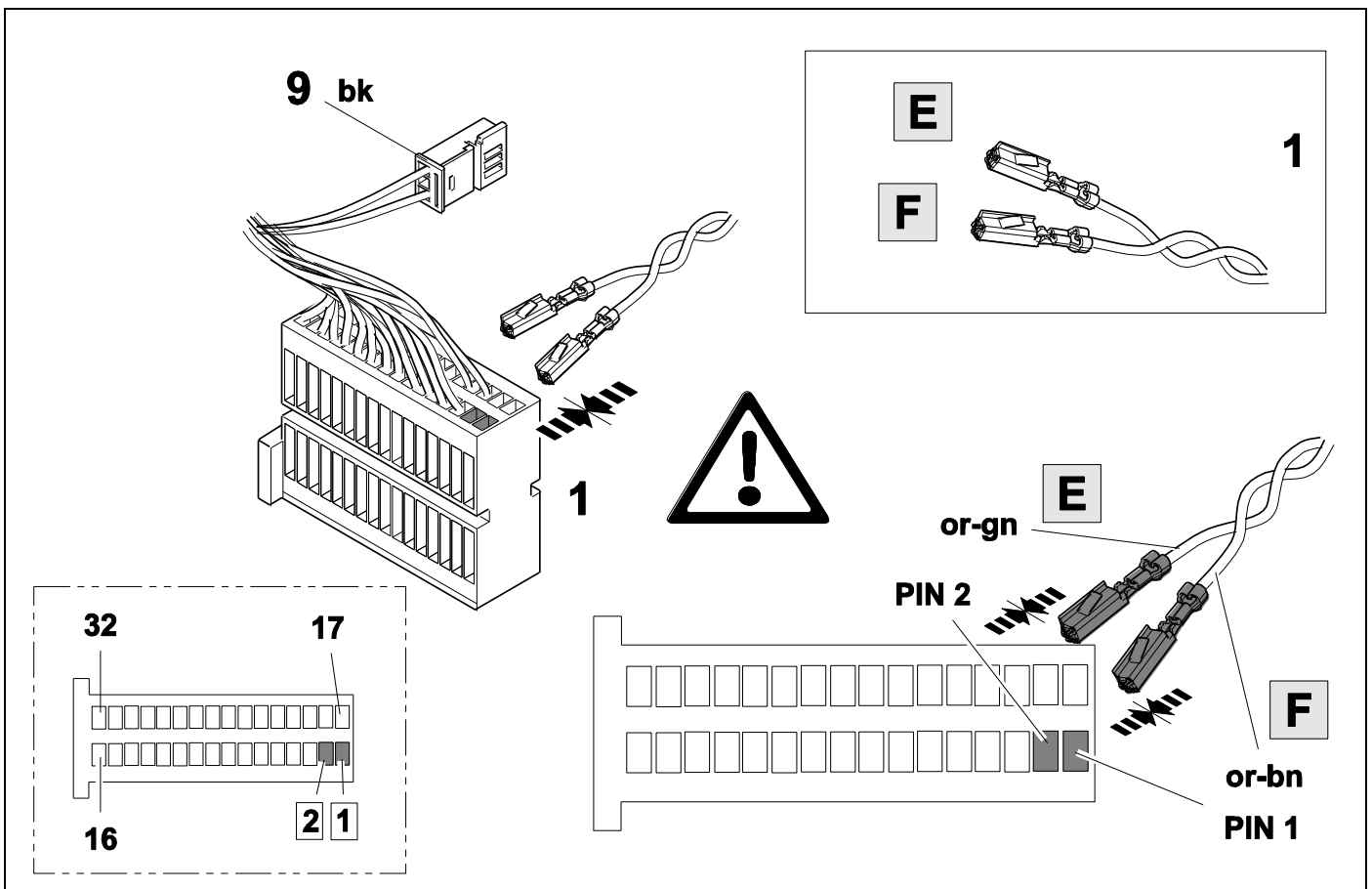
8



13



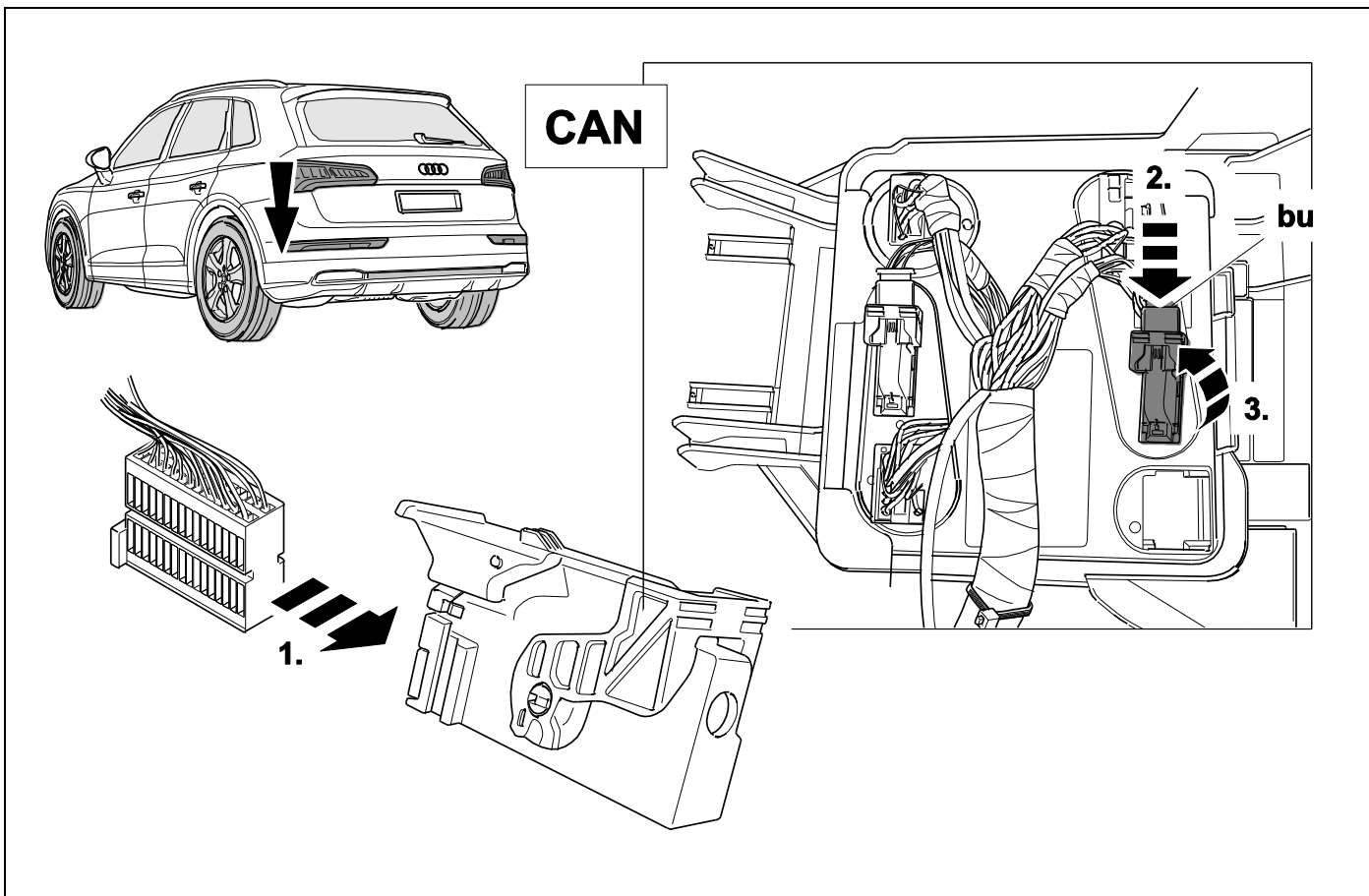
8



14



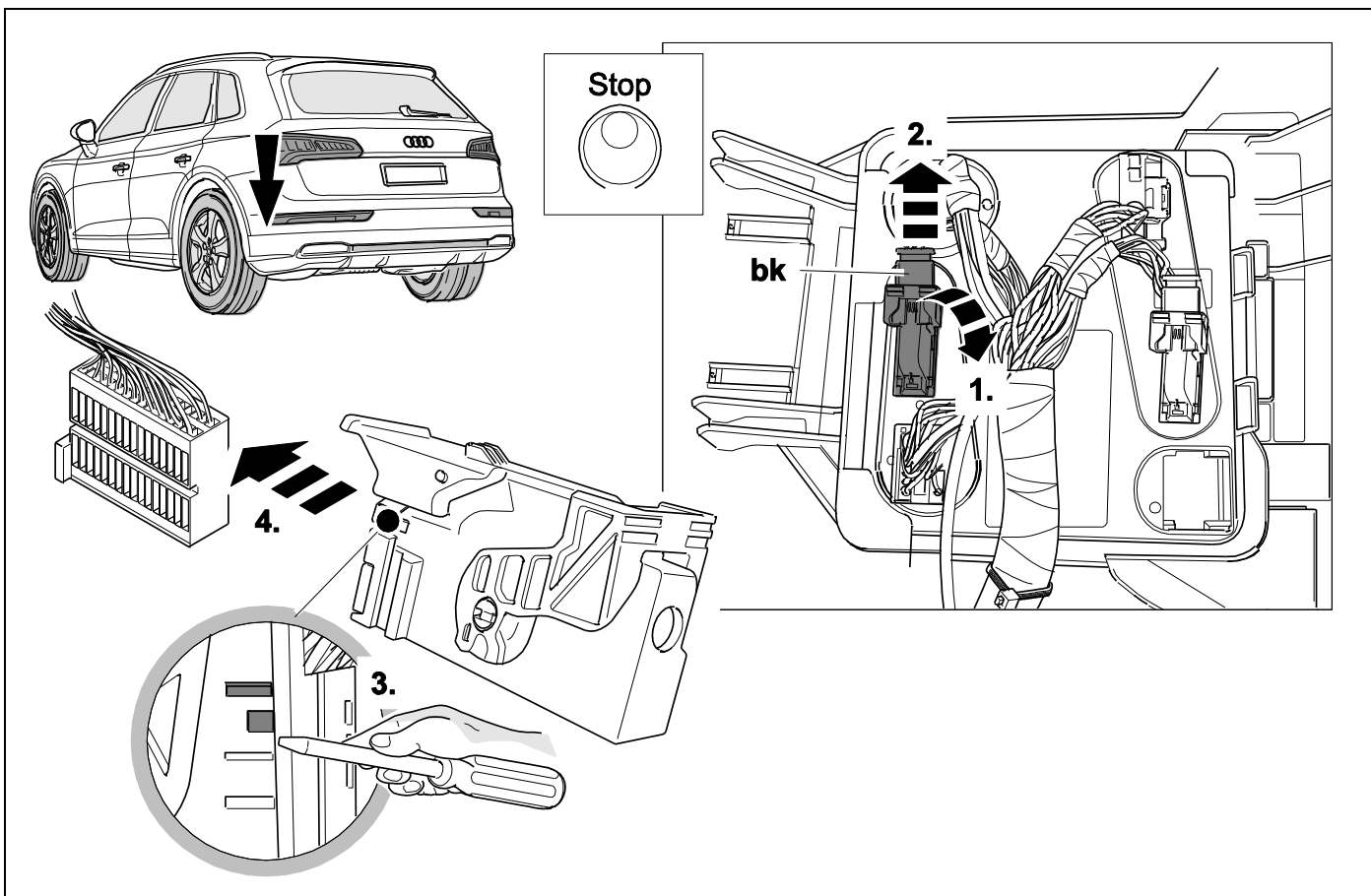
8



15



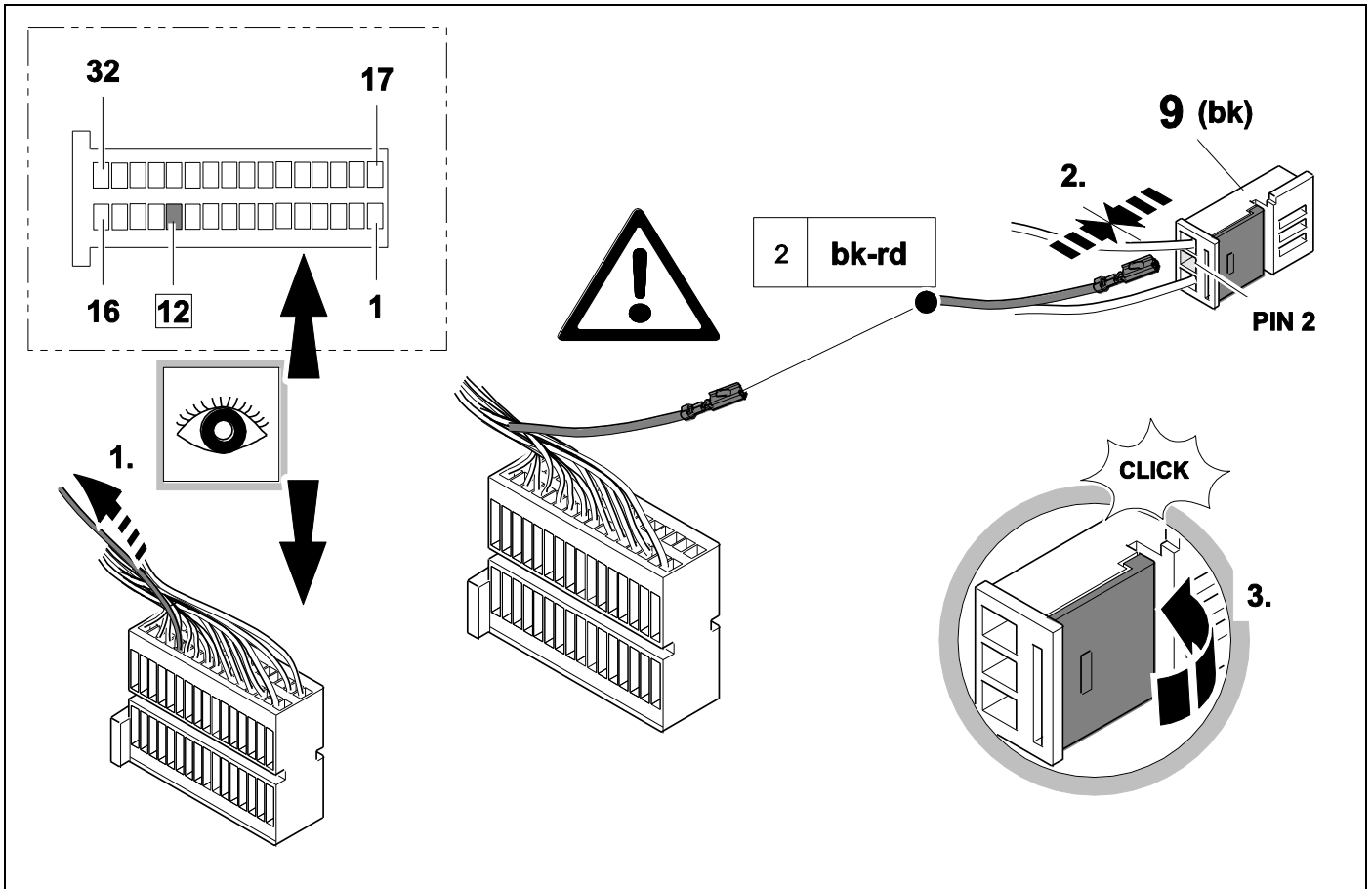
8



16



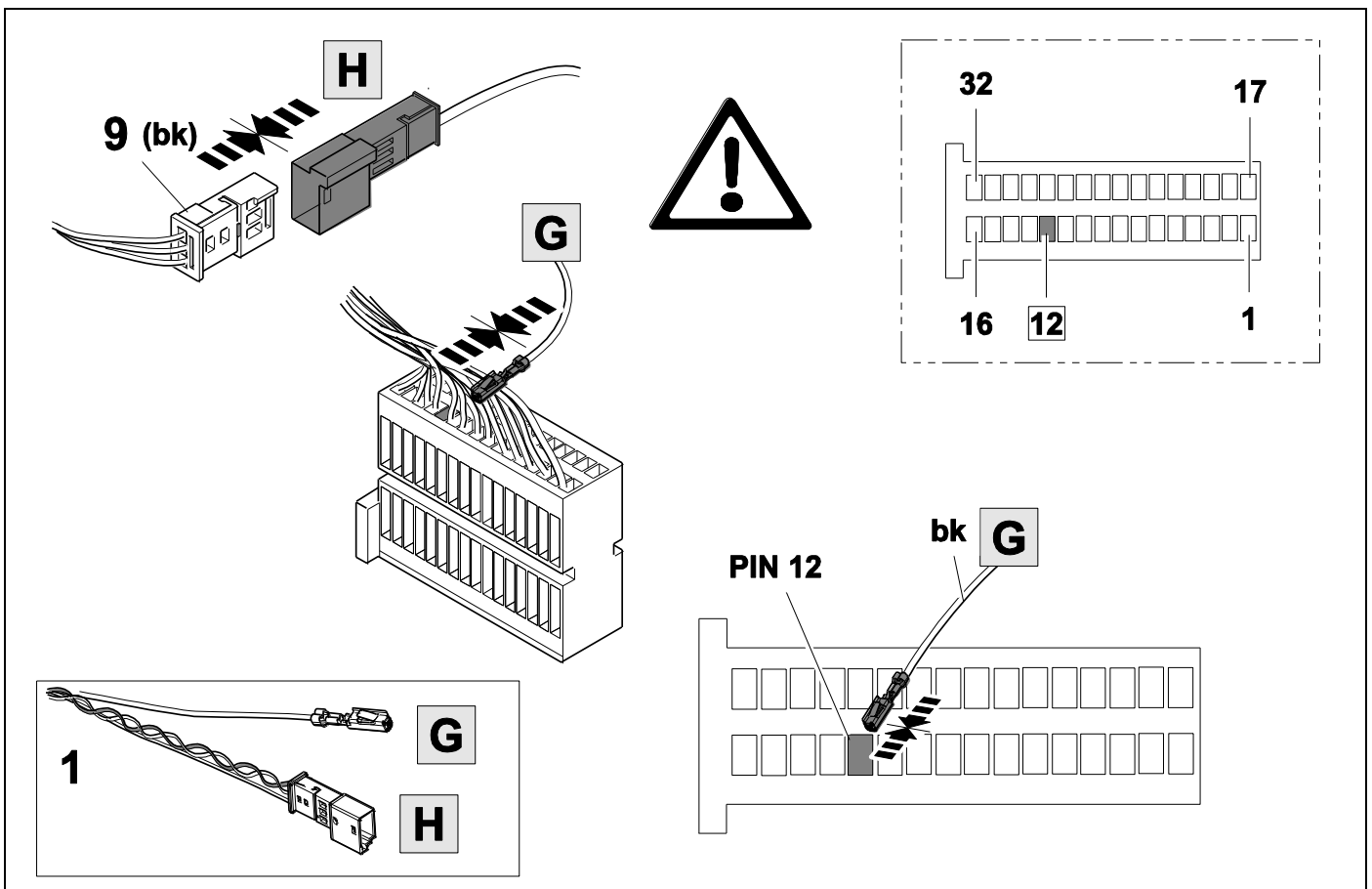
8



17



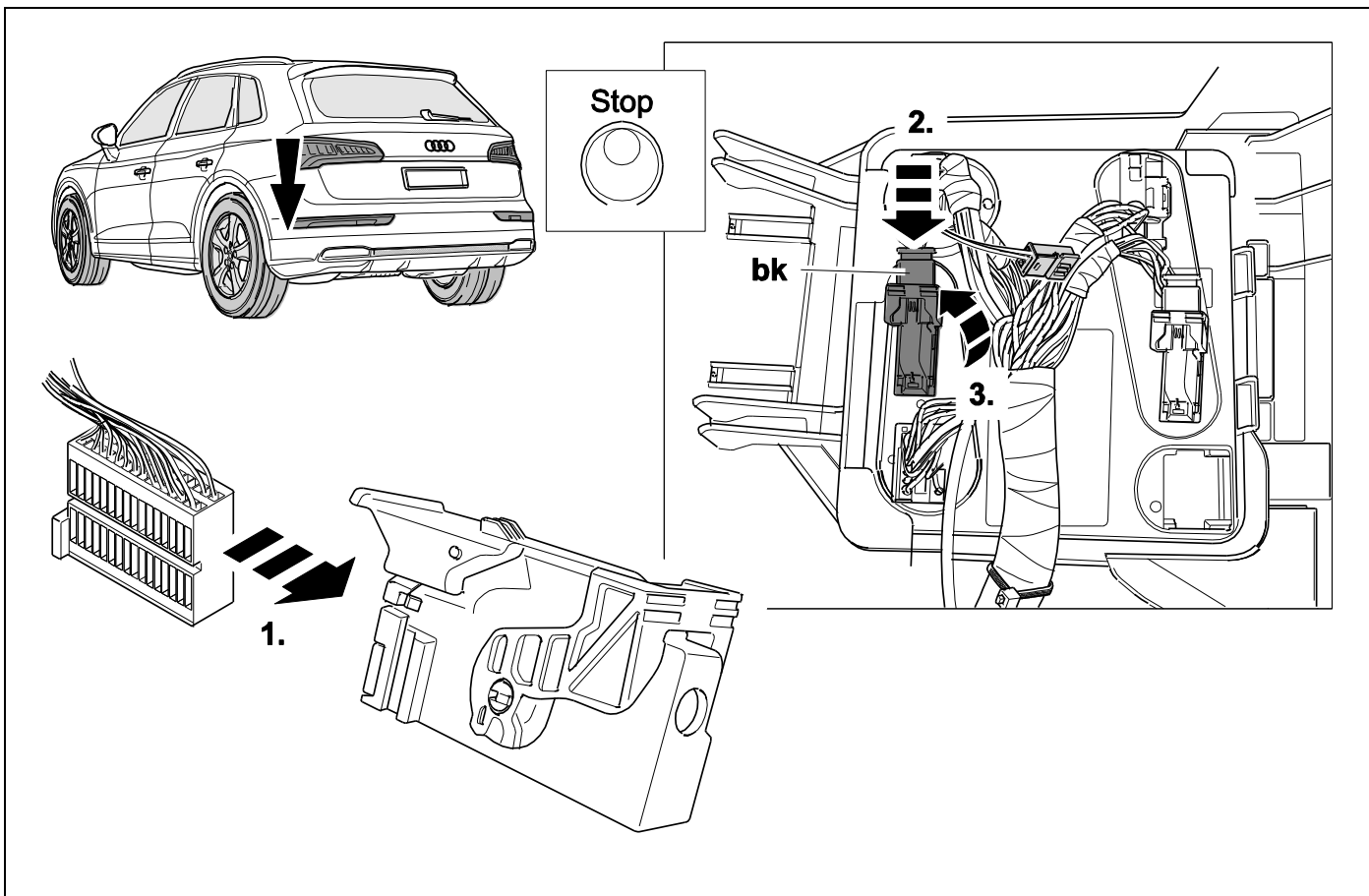
8



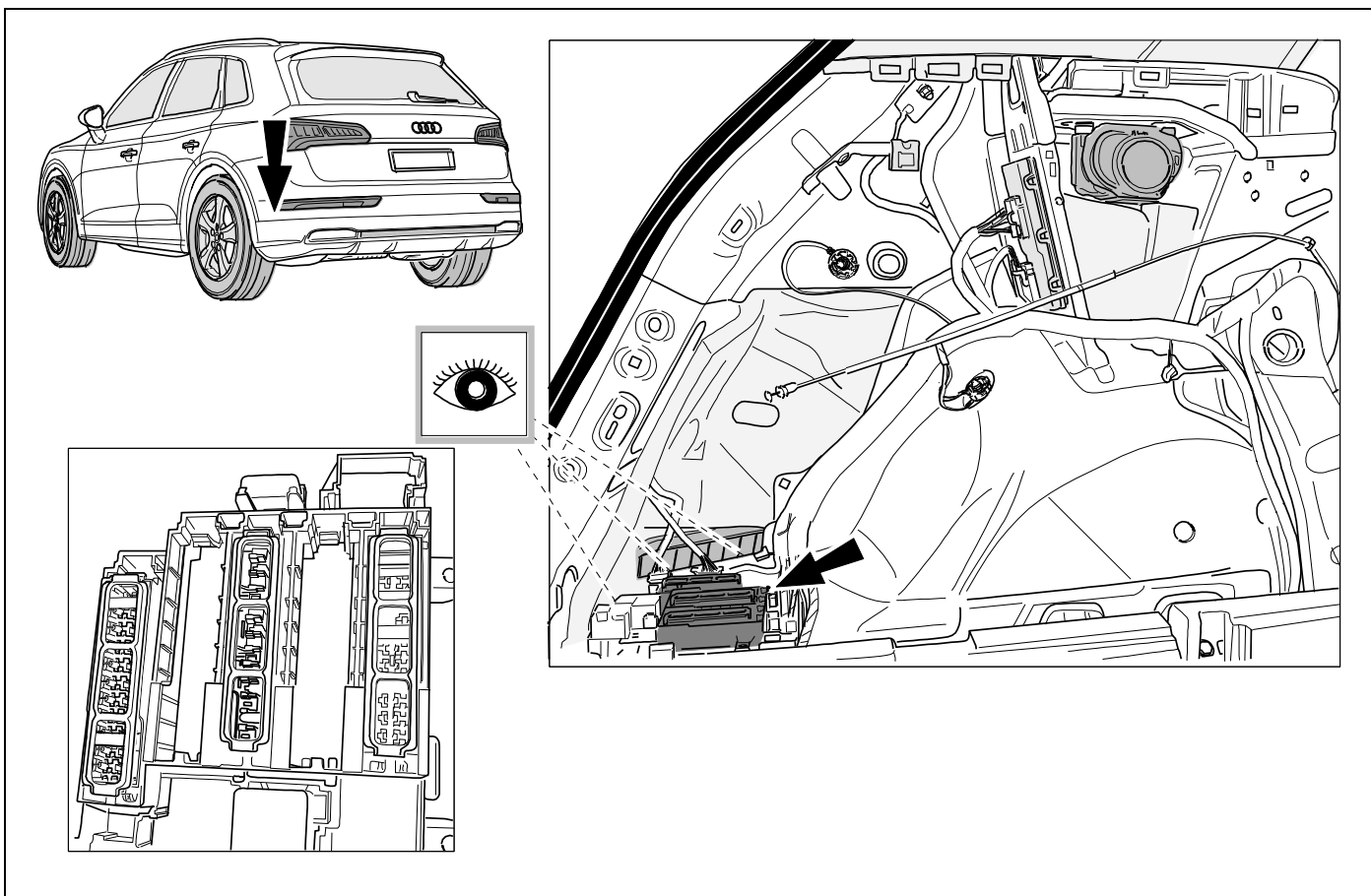
18

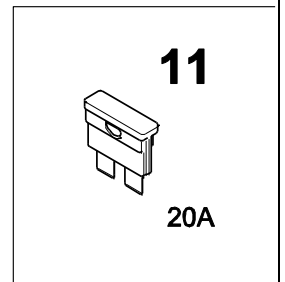
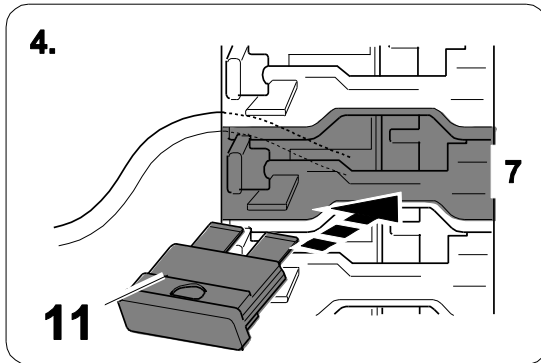
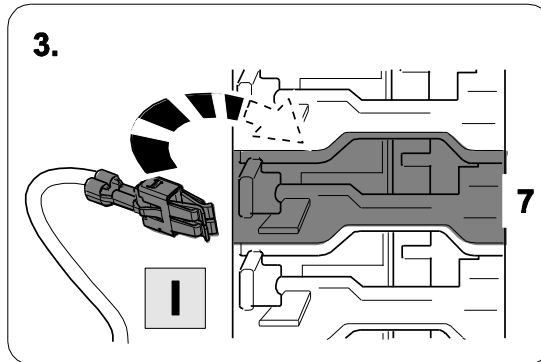
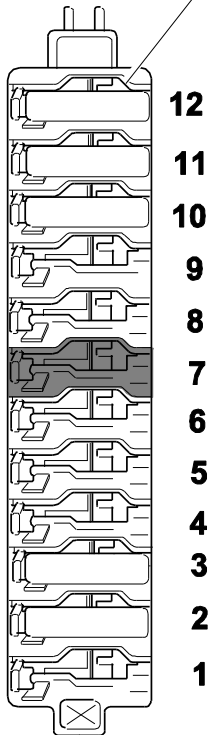
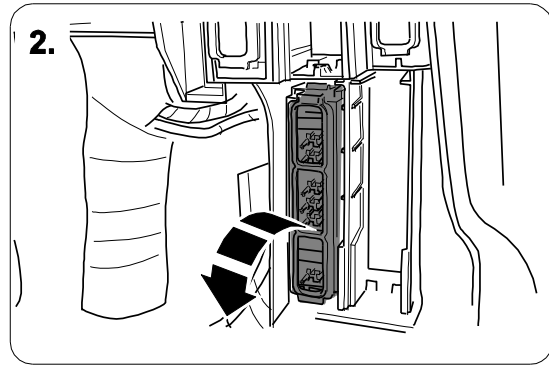
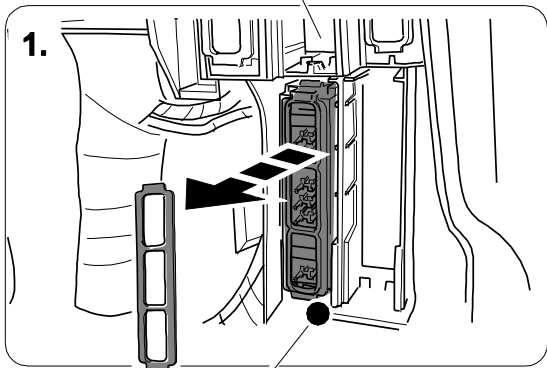
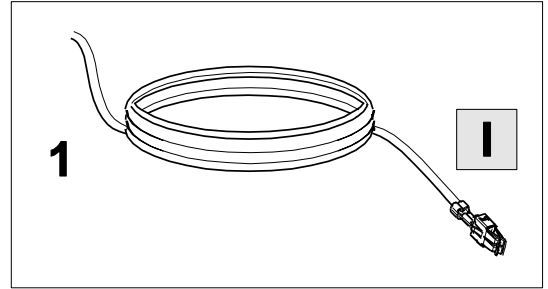
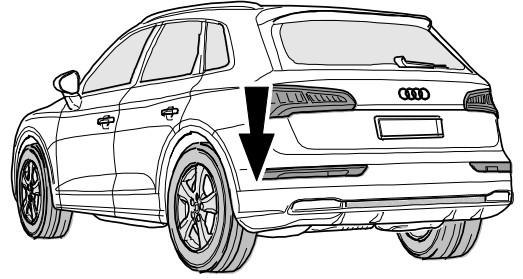
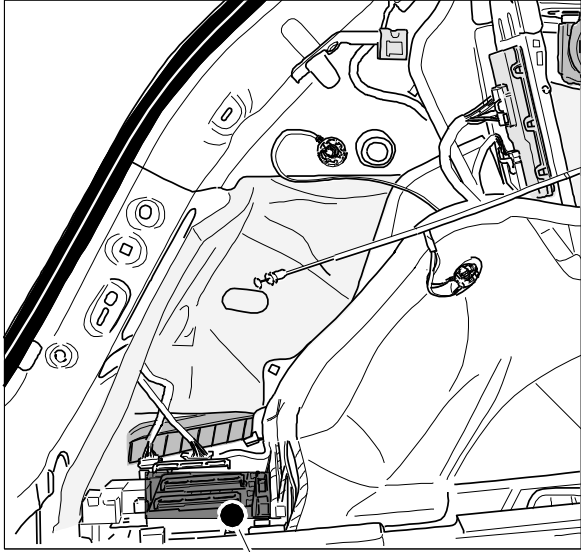


8

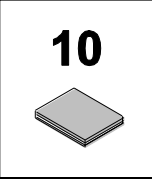
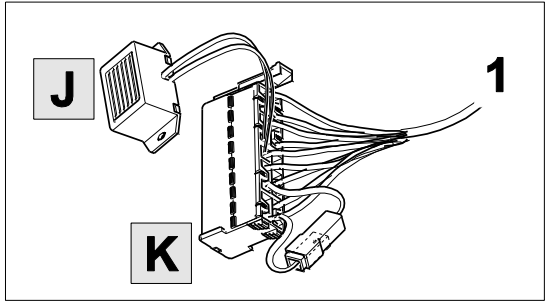
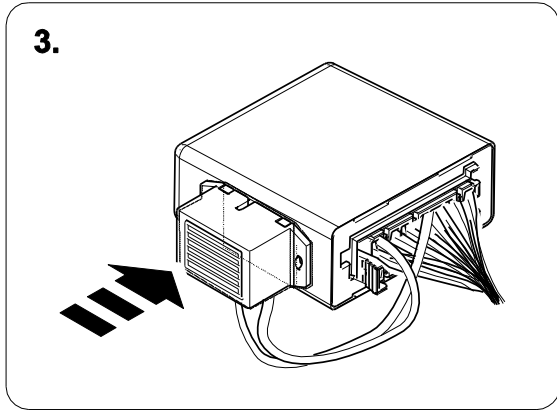
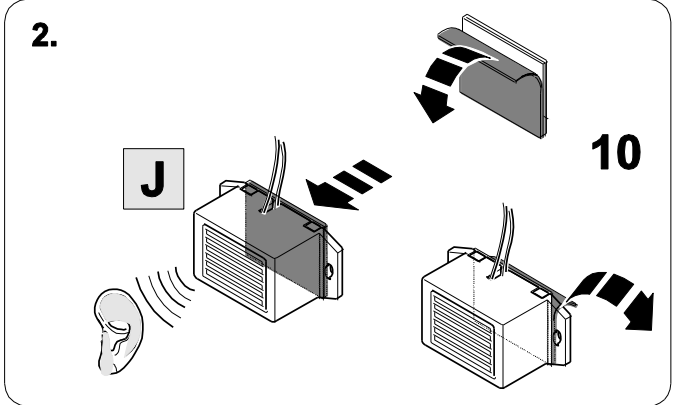
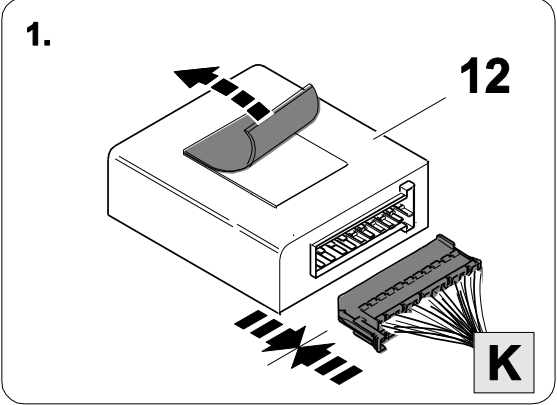


19

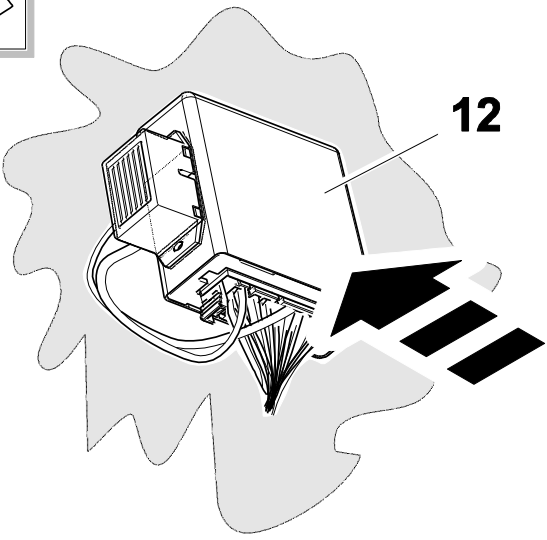
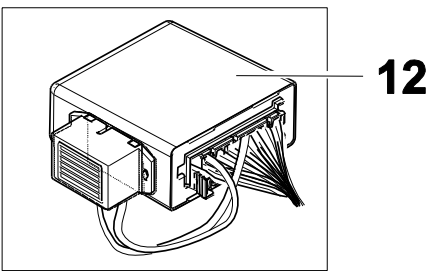
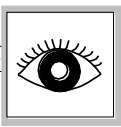
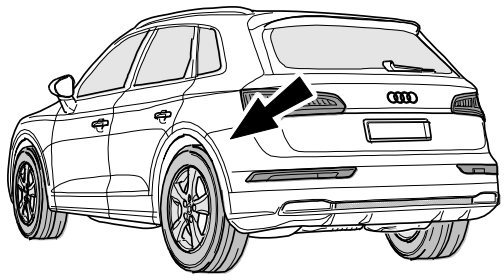
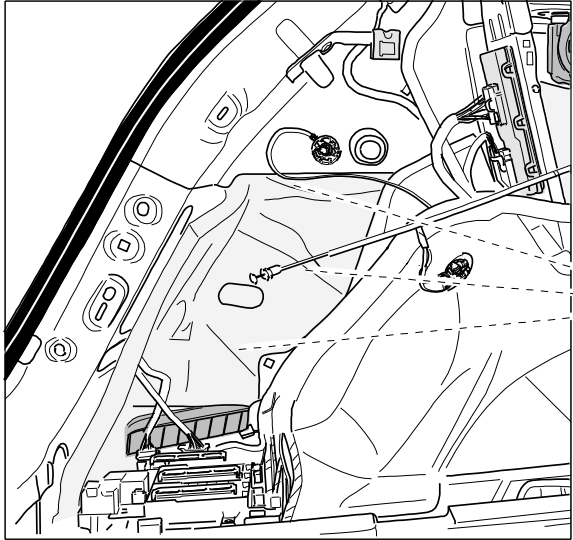




21

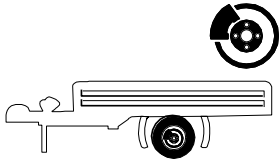


22

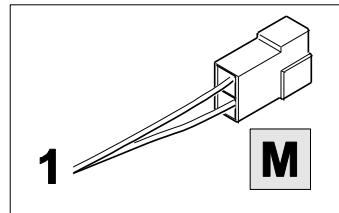




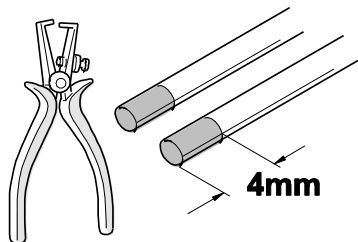
**BRAKE
CONTROLLER
PREPARED**



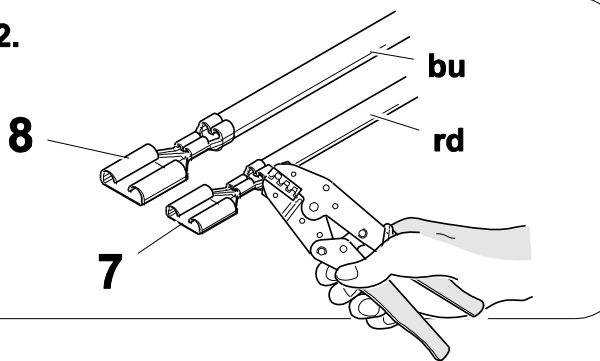
Trailer Brake Preparation



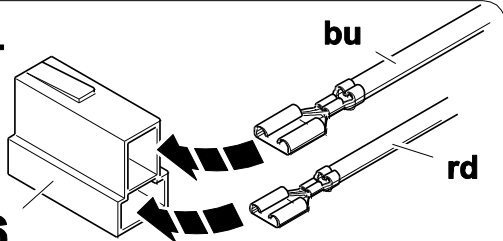
1.



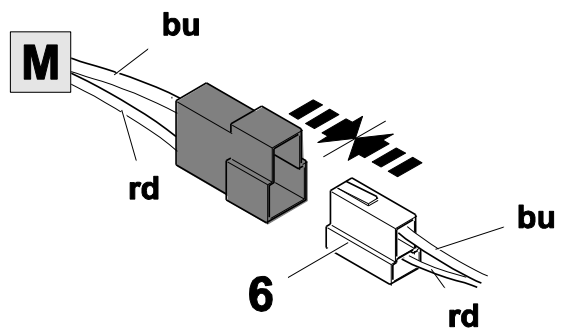
2.



3.



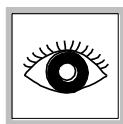
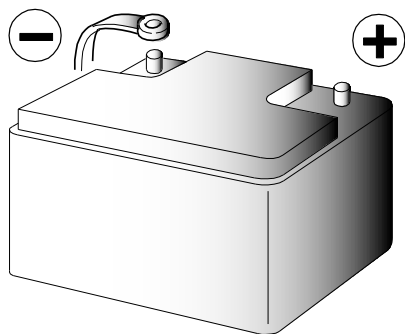
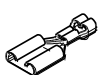
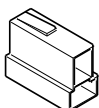
4.



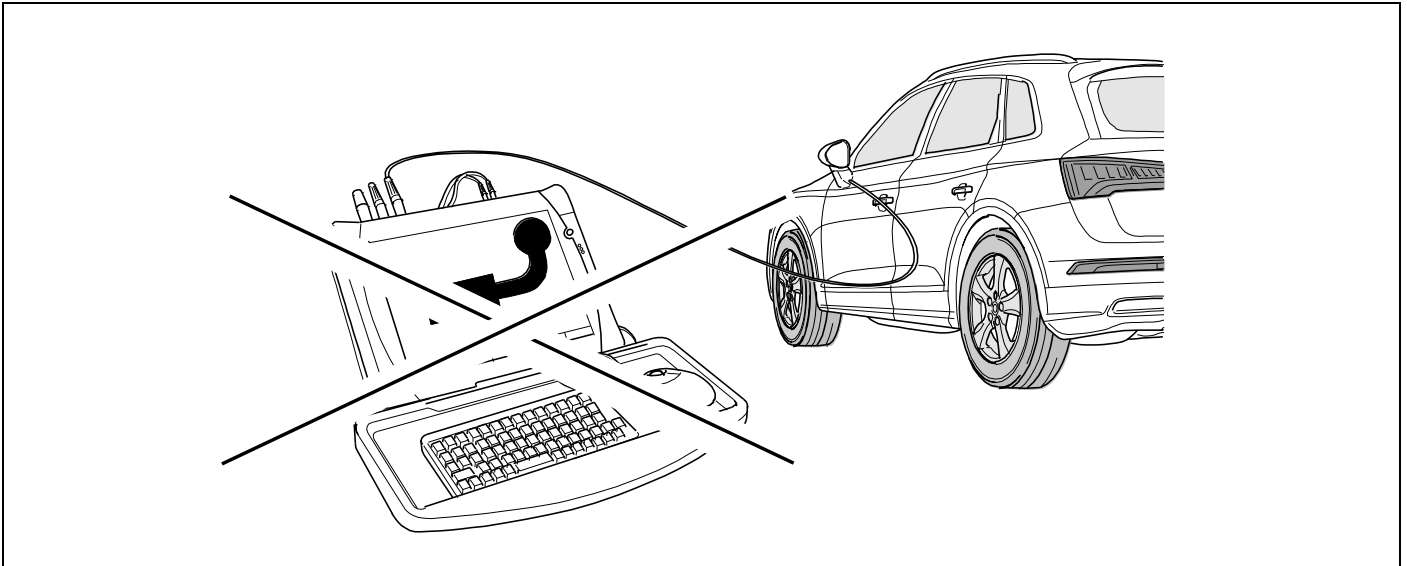
6

7

8

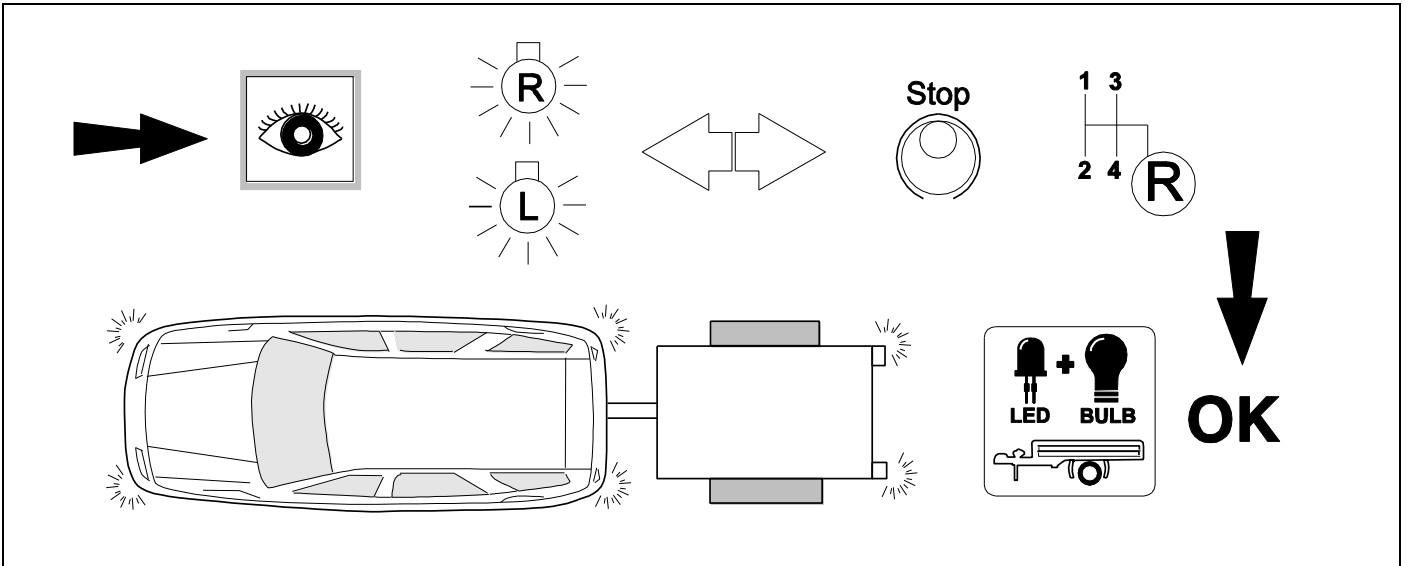


25



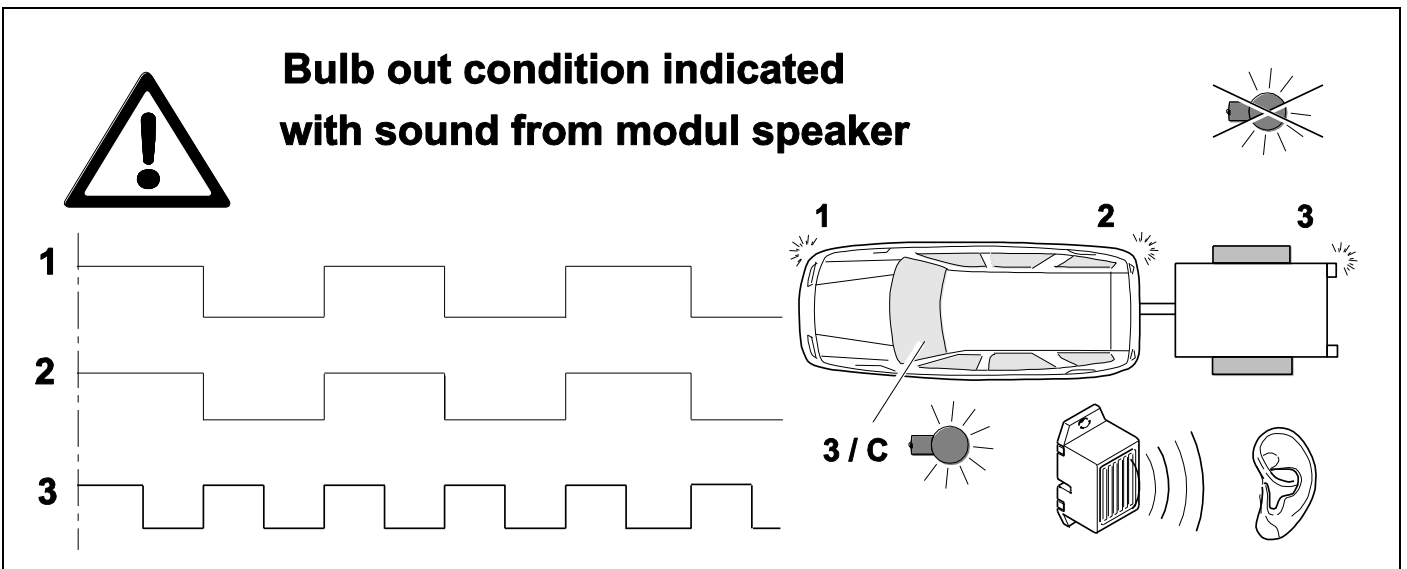
26

CHECK ALL LIGHTING FUNCTIONS



27

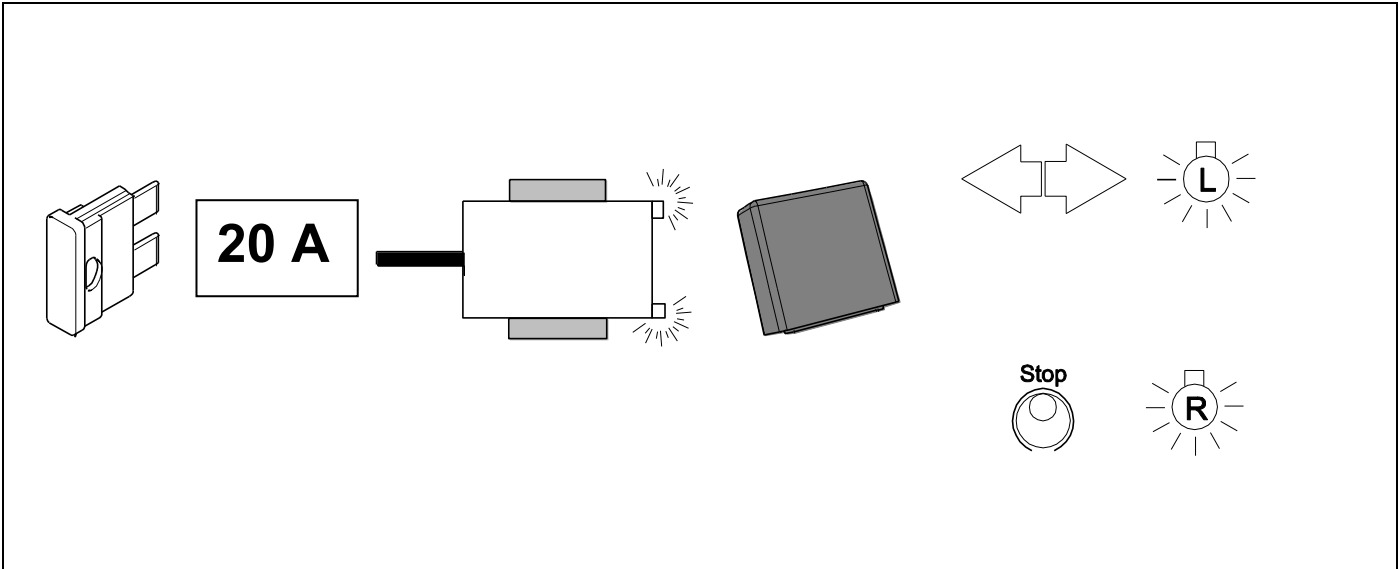
CHECK



28



20



29 CODING OPTIONAL - SKIP THESE STEPS IF CODING OF THE VEHICLE IS NOT PLANNED

With vehicle coding ! **30** ⇒ **32**

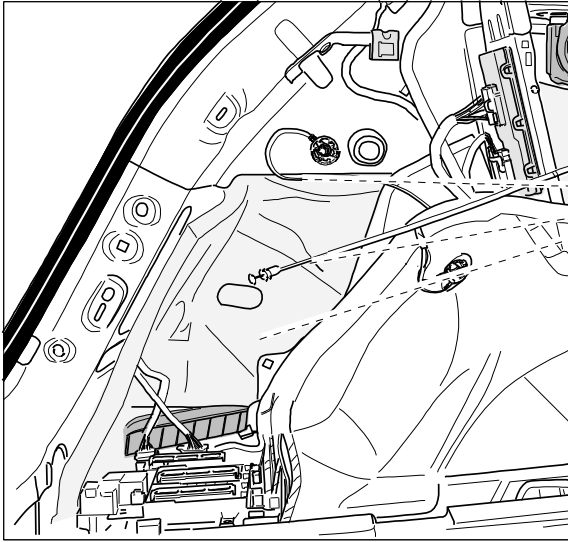
!Attention!

These codings may be lost after visiting an authorized workshop !

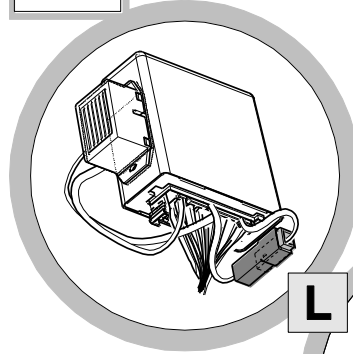
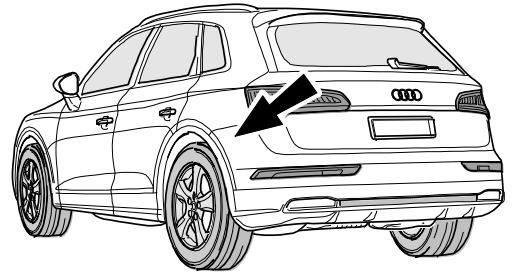
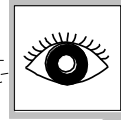
TSP
Trailer
Stability
Program

P
Trailer
Assistent

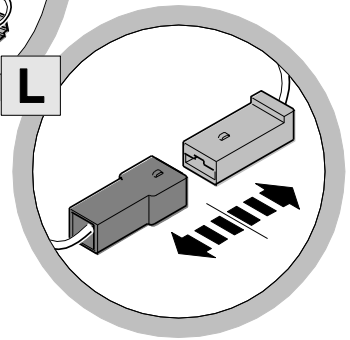
30 OPTION vehicle coding



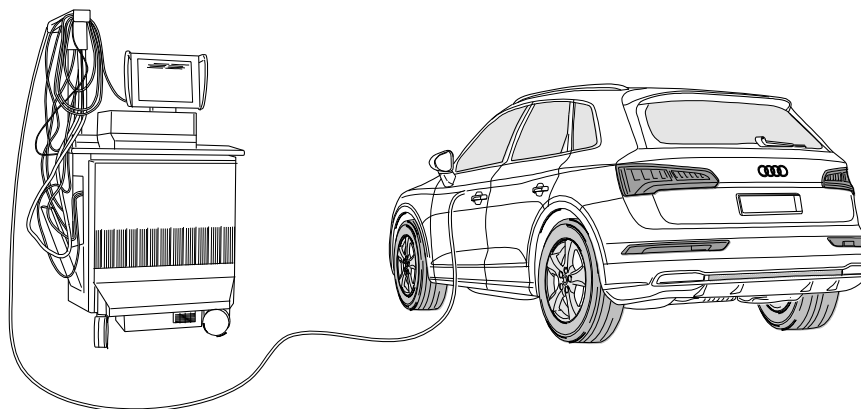
DO NOT disconnect unless coding is planned for this vehicle as errors will appear on the vehicle dash. Plug back in and cycle ignition twice to clear errors



L



Unless you have your own coding tool and are experienced with coding Audi vehicles, do not attempt coding. DO NOT take it to an Audi dealer to code. They can only code their own factory kits as it requires a special one-use only unlocking code.



Coding with VCDS, please note:

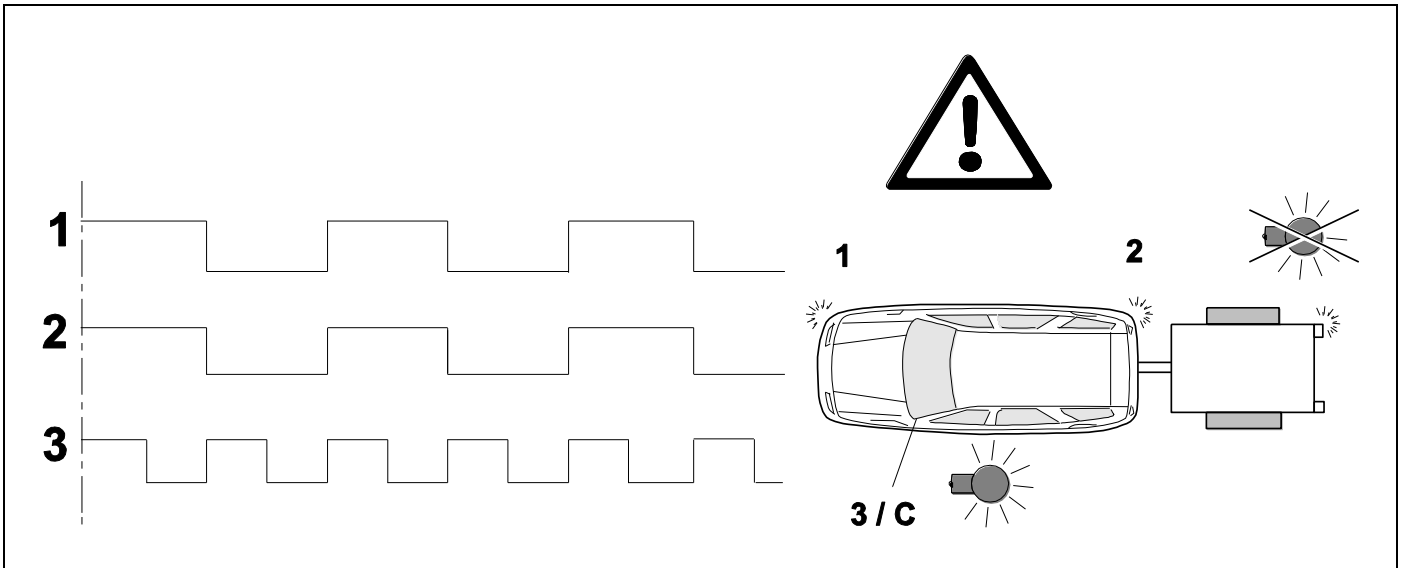
The procedure described below for encoding and enabling the trailer mode only serves for a general orientation and can vary greatly depending on the model (motorisation / equipment). If necessary less or further control units will have to be adapted.

- **After connecting to VCDS, the "69 trailer function" controller has to be set to encoded in the _19 installation list.**
- **Coding EZE_09 (electronic central electric controller; Login 31347)**
Diagnosis / Networking plan / Controller self-diagnosis encode hitch_ecu > installed Vehicles from (MJ 2017>>) adjustment > channel-integration trailer control unit > installed
- **Coding ZKS_46 (Central module convenience system)**
trailer monitoring > put on active trailer control unit > installed
- **Coding_03 (Brake Electronics; Login 61378)**
Adjustment > channel - trailer stabilization, change value to > active
- **Encoding SWA_3C (Lane Change Assist)**
ECU for draw bar > with ECU for draw bar
- **Encoding SCH_17 (Dash panel insert)**
Trailer > yes
- **Encoding RFK_6C (reverse camera system)**
equipment_ahk > installed
- **Encoding STF_74 (chassis control system)**
Trailer > installed
- **Encoding EPH_76 (PDC controller)**
Trailer > trailer device can be removed manually
- **Encoding DiS_13 (controler distance control, possible Login 20103)**
Control module for towing sens > installed or Control module for trailer recognition > installed (Byte 03 Bit 03)
- **Encoding FFF_A5 (front sensor system controller)**
AAG > coded
- **Encoding HDE_6D (boot lid electronics controller)**
Trailer > installed

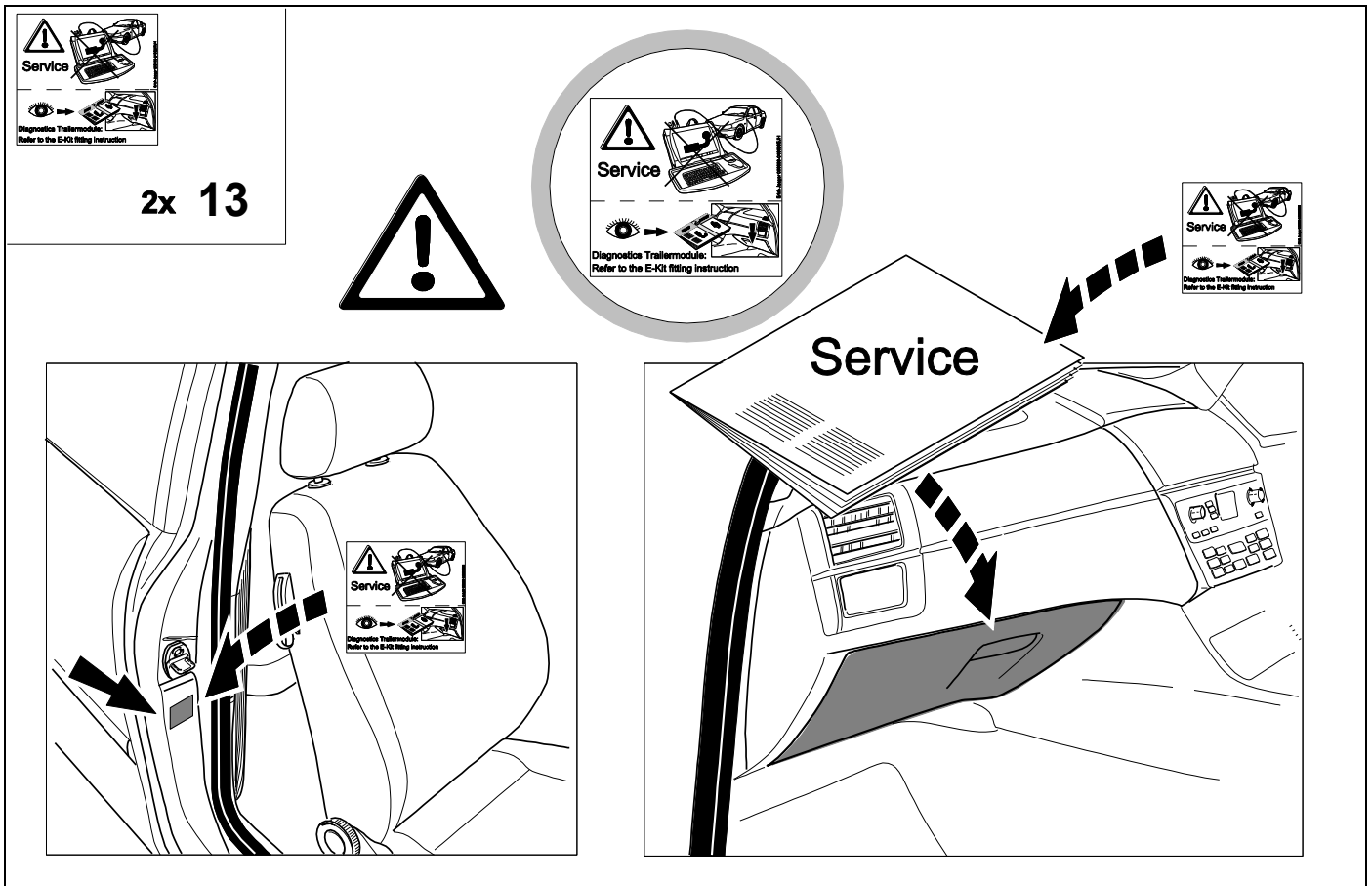
Important note on encoding and activating in trailer mode

The aforementioned settings are carried out in the vehicle's electrical system and saved locally. During general updates for the vehicle software (for example, within the scope of service or repair work) the settings may be overwritten and deleted under certain circumstances. At this case, the trailer mode activation has to be updated again locally after the update. Diagnostic information relating to the trailer mode that may appear during variance comparisons with the data saved in the manufacturer's works, may form the basis of the local activation

32 Check

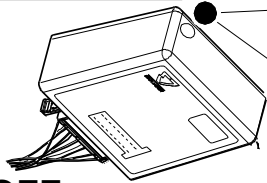
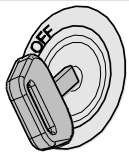


33



Status LED for self-diagnosis

Operation Support



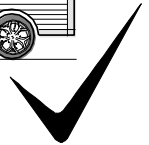
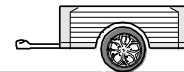
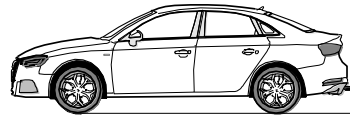
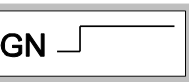
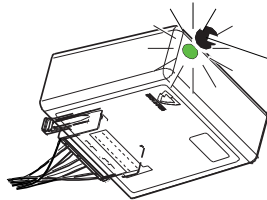
No CAN-Data =



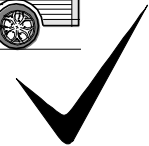
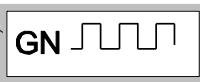
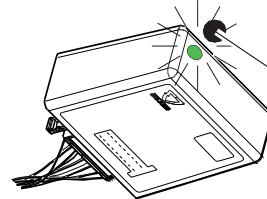
Standby / Sleepmode



Ignition OFF



Ignition ON



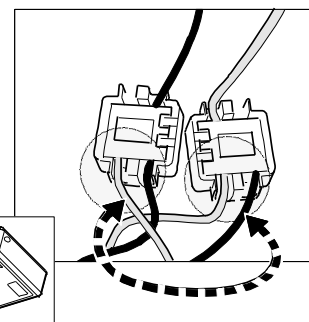
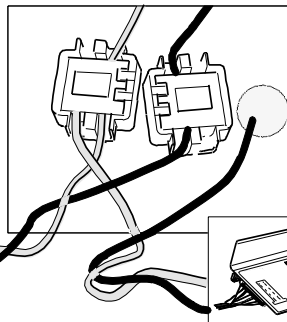
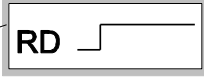
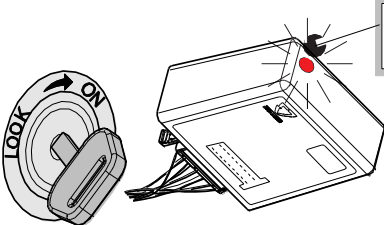
Ignition ON

Failure Support

CAN-Data Wire

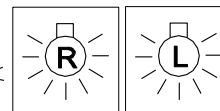


1x max. 5 min.

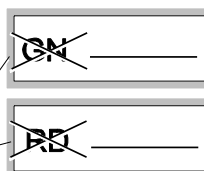
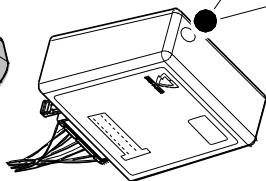


Ignition ON

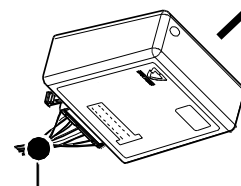
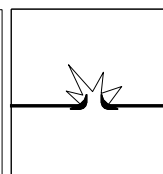
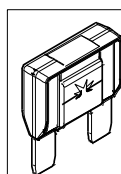
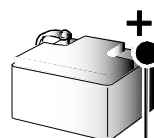
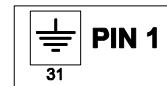
Failure indicated by the module LED glowing red for a maximum of 5 minutes. If trailer connected the tail lights will also glow indicating failure of CAN signal.

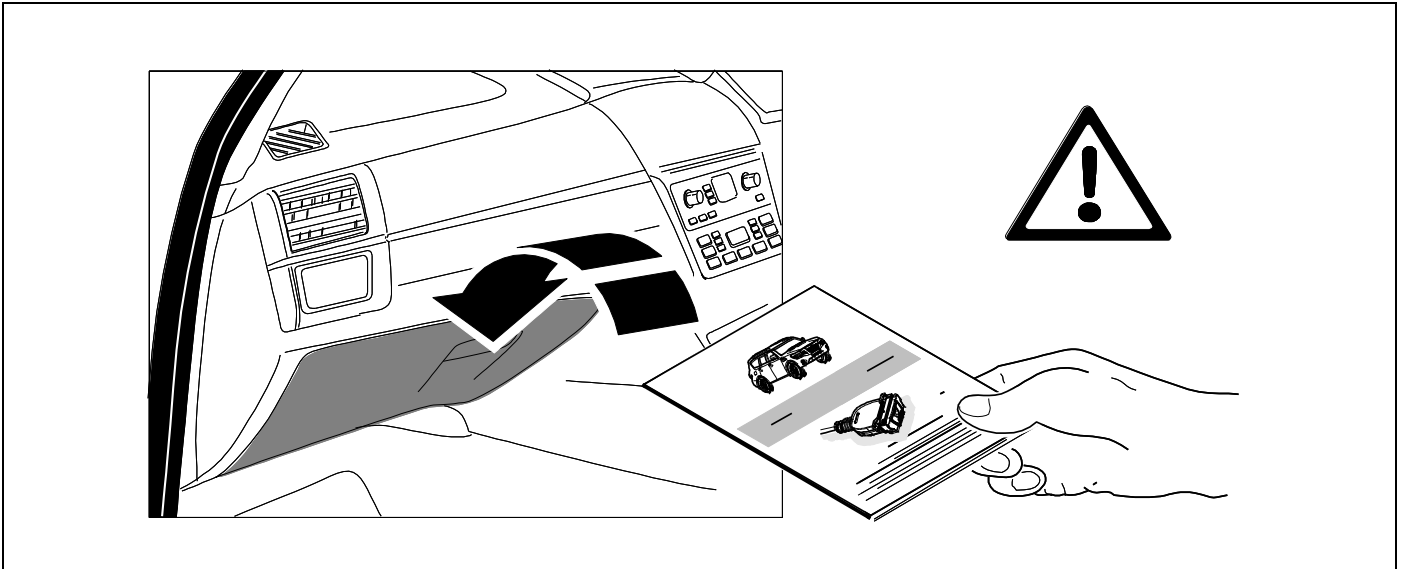


Ignition ON



or





Subject to change in terms of construction, equipment and colour, and may contain errors.
The information and illustrations are non-binding.

Scan this for our full E-Kit catalogue

