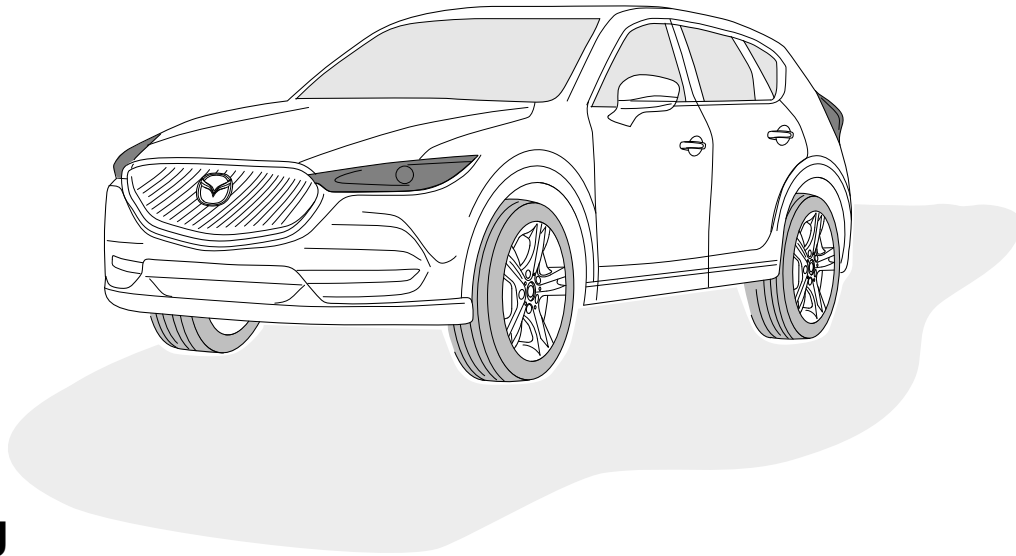




ERICH JAEGER

Installation instructions



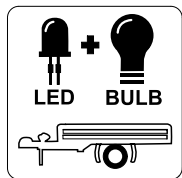
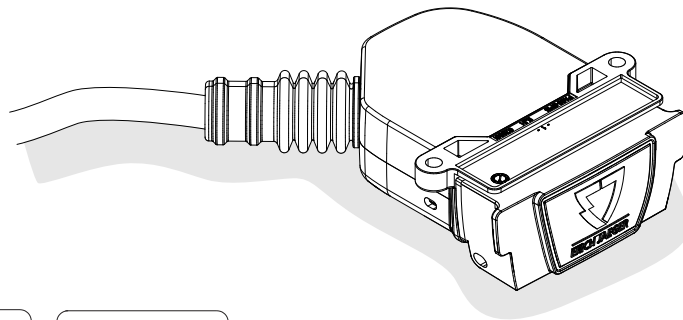
750080EJ

MAZDA

CX-5

04/17-11/21

11/21>



Reference:

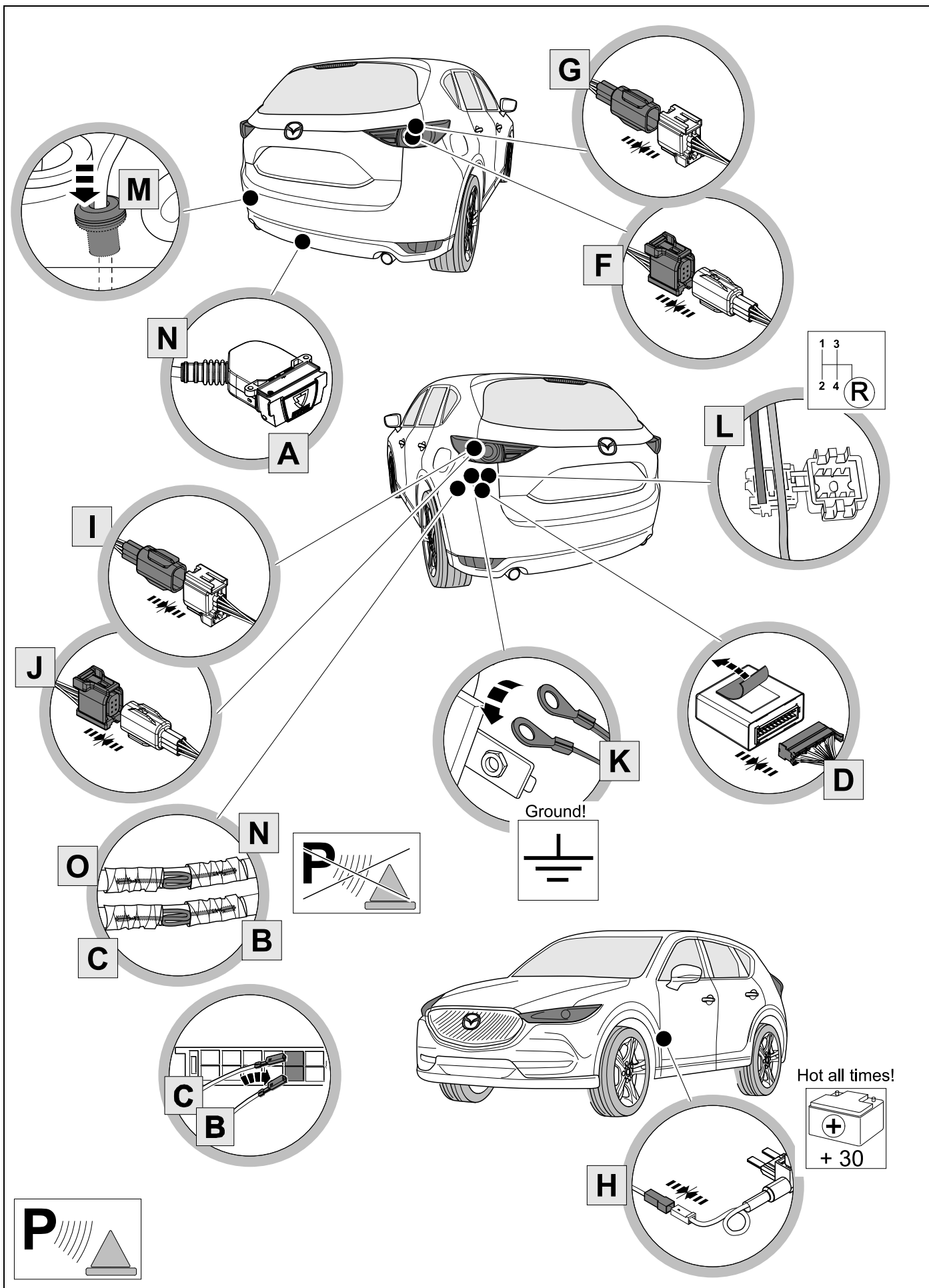
The following information must be reviewed before beginning the assembly:

The installation instructions are to be thoroughly read.

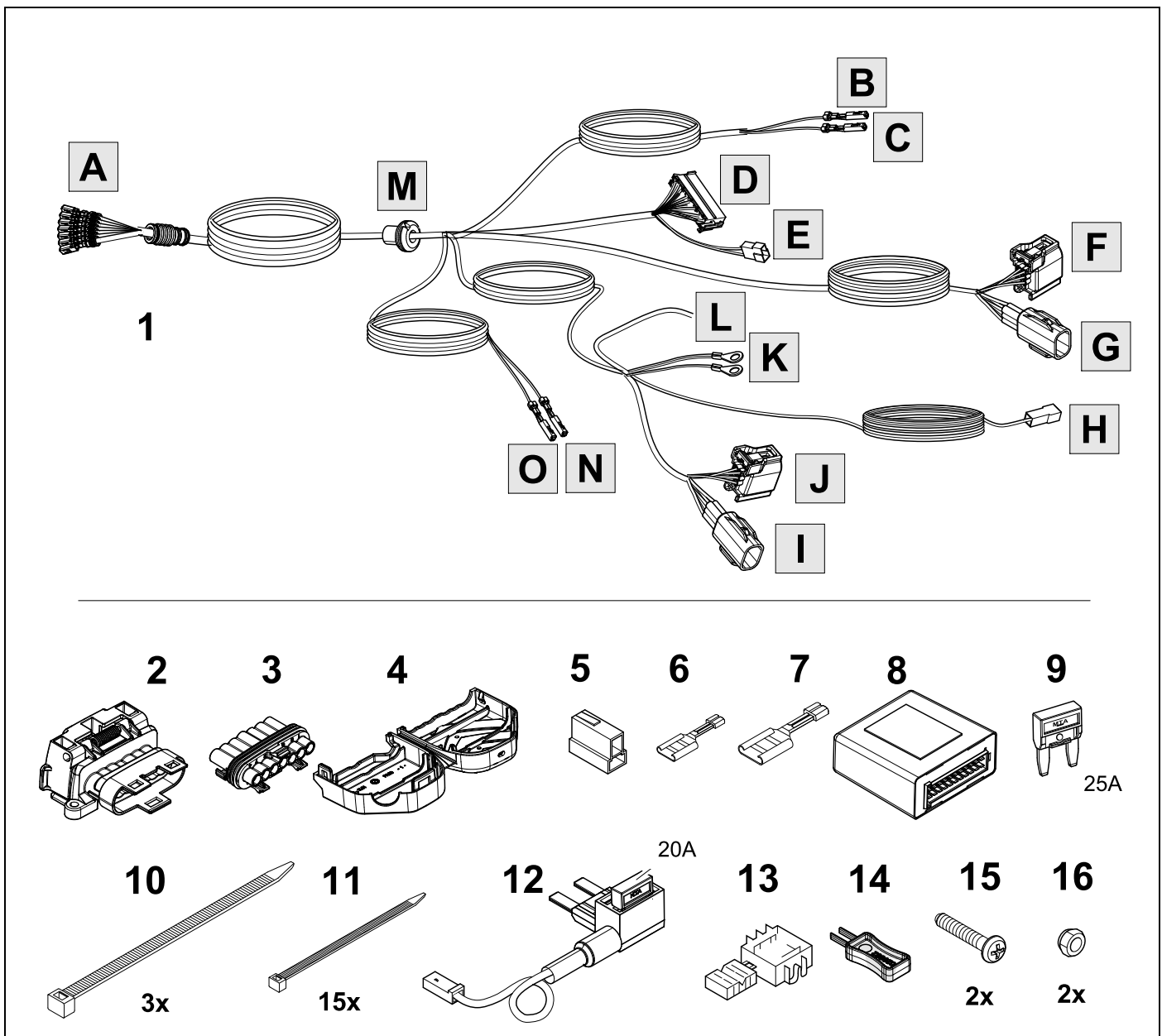
The installation should be carried out by qualified personnel with the relevant technical knowledge. The vehicle manufacturers' current technical notices and information on retrofitting must be followed. The removal and replacement instructions found in the current repair manuals must be followed.

It must be ensured that the vehicle is technically suitable for the installation of a trailer hitch.

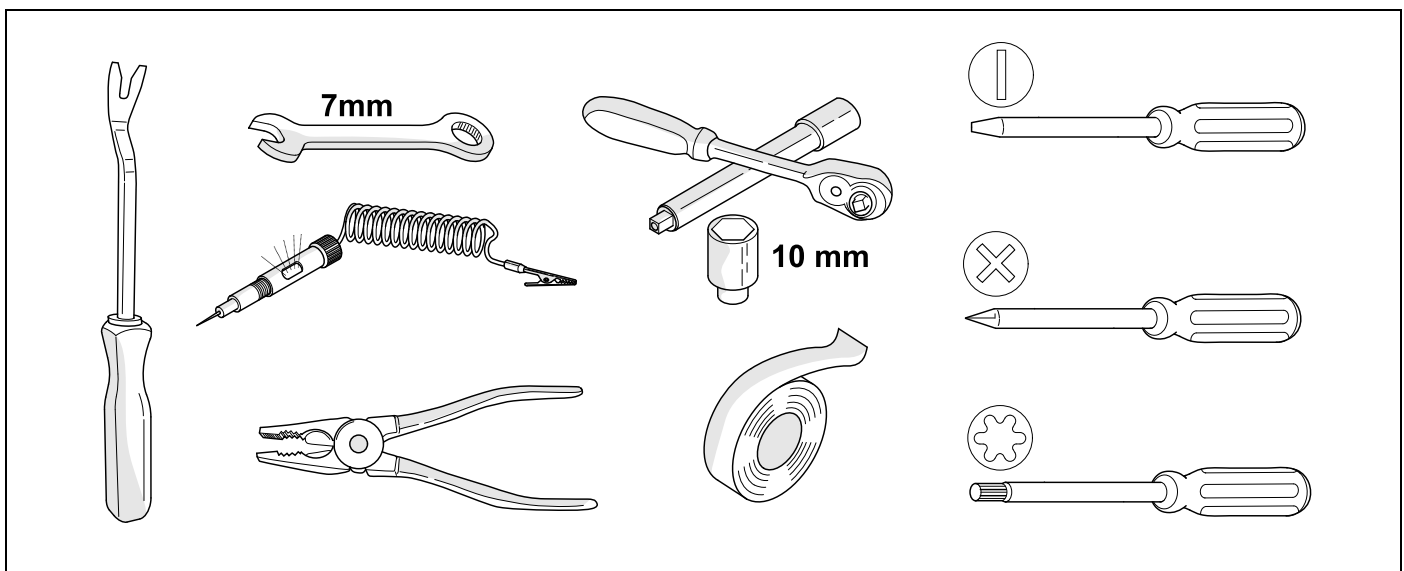
OVERVIEW



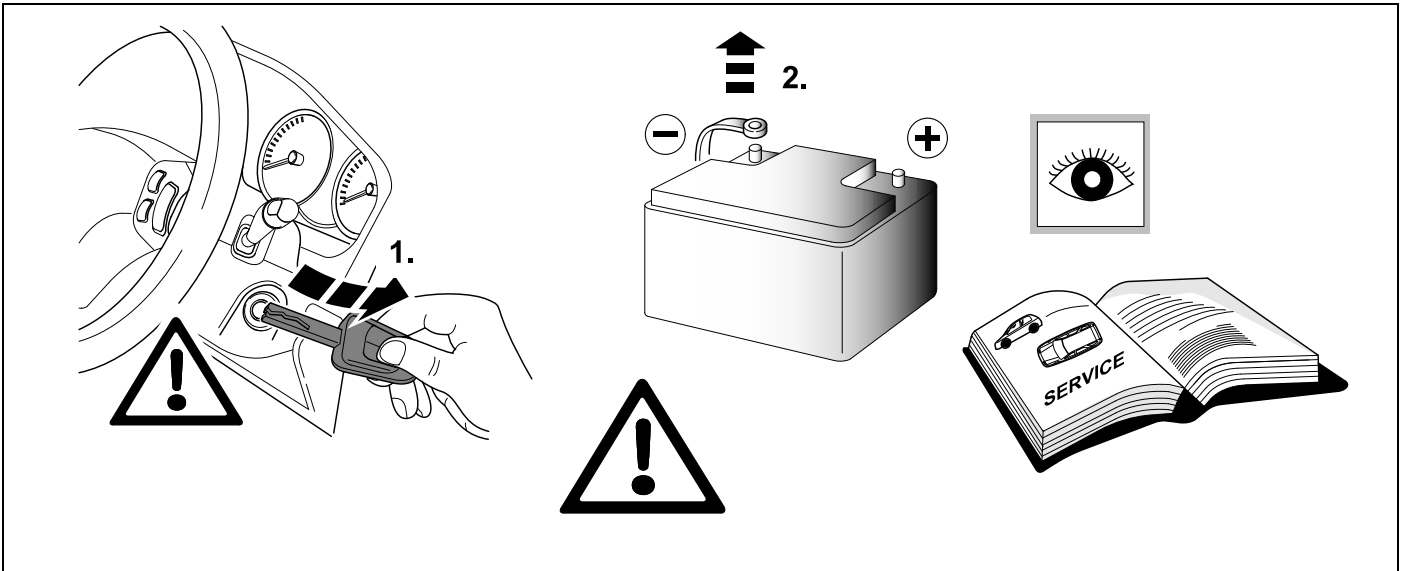
KIT



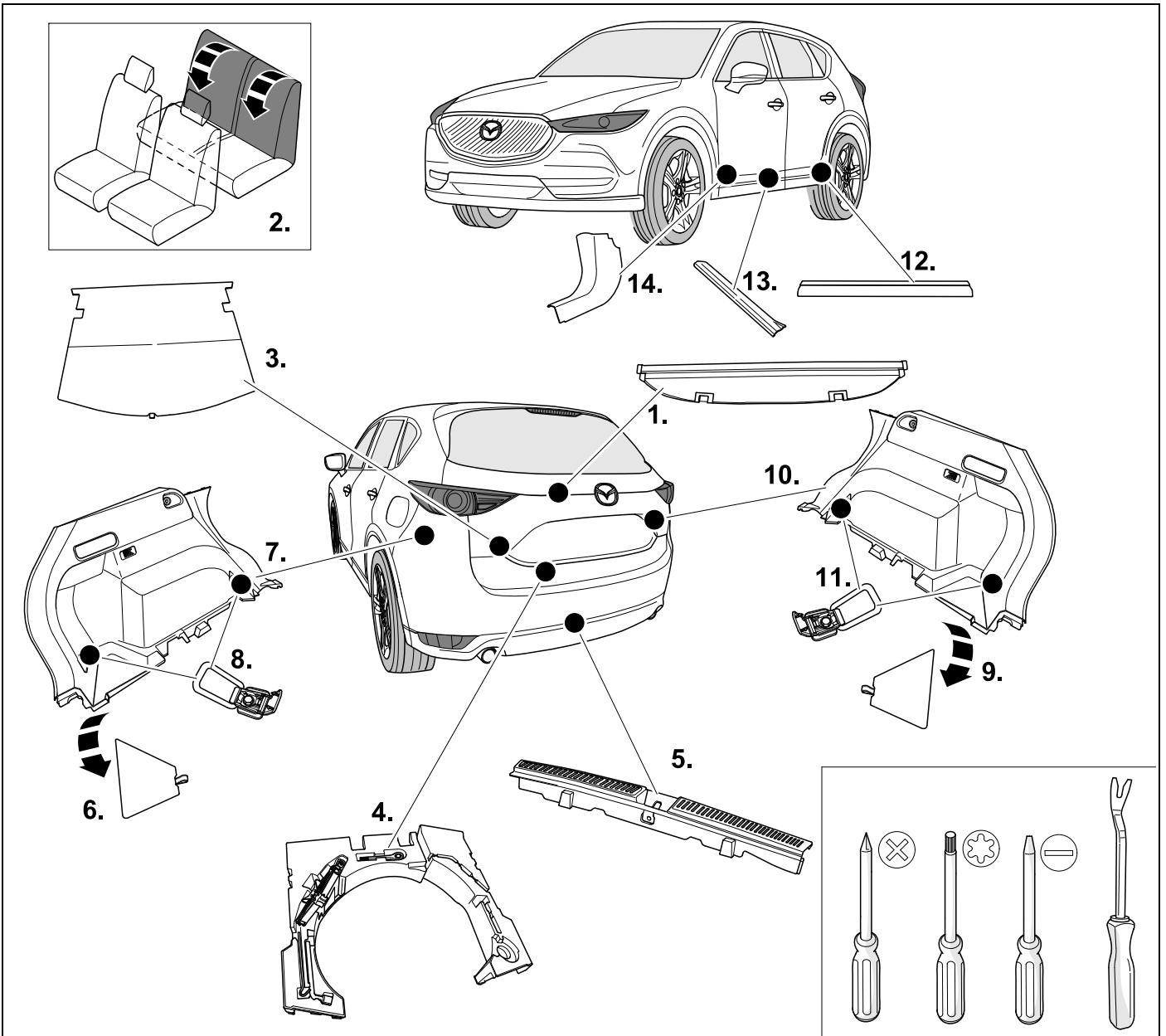
TOOLS

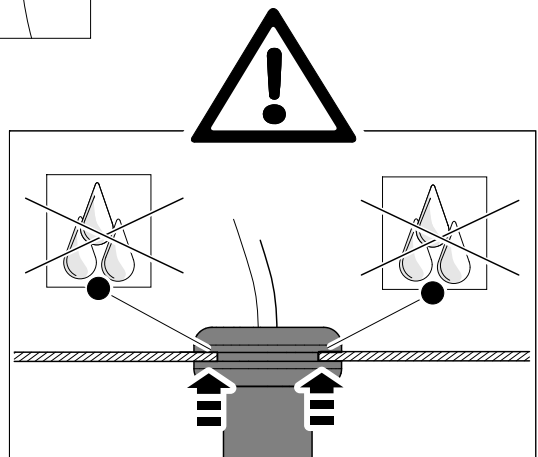
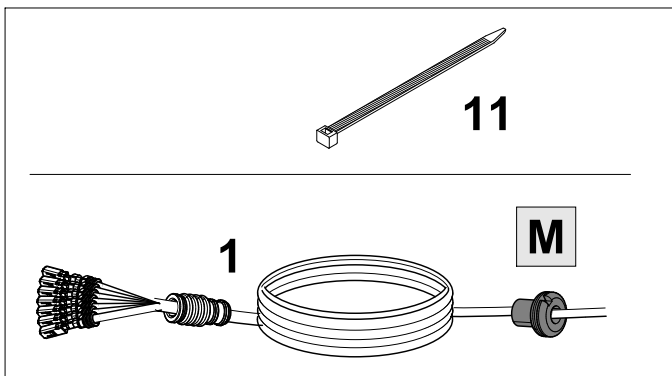
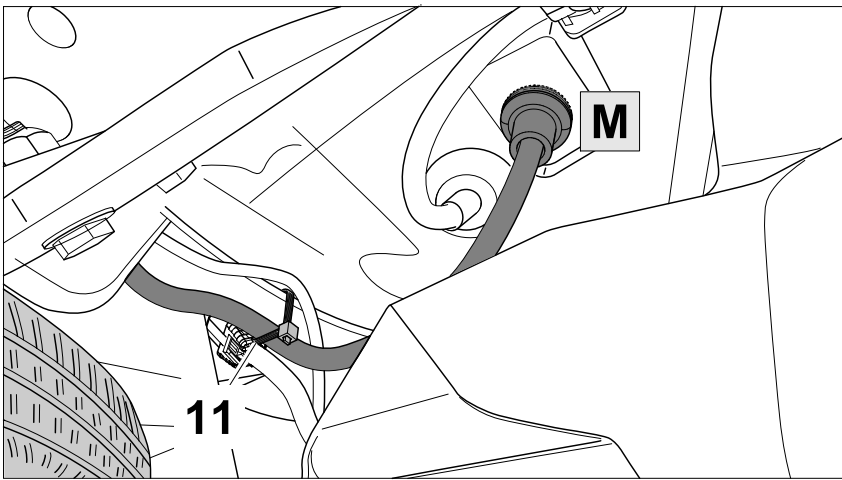
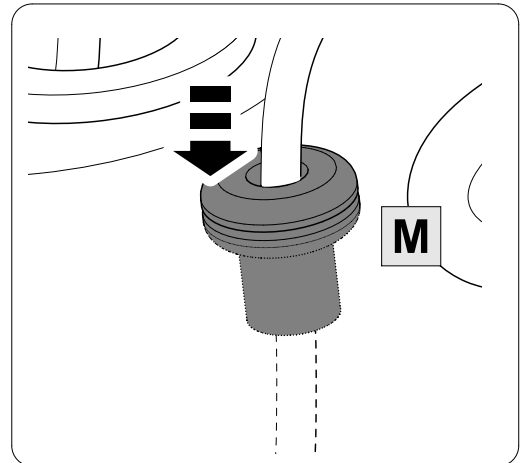
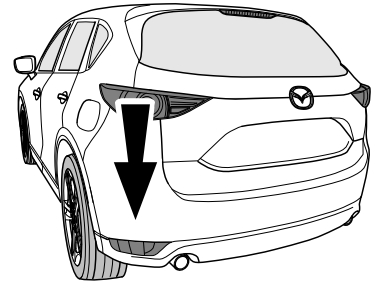
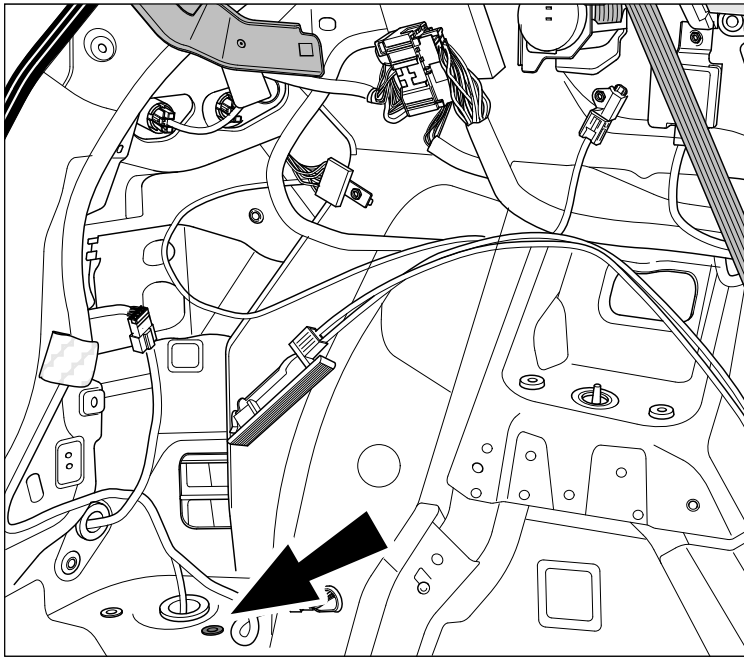


1

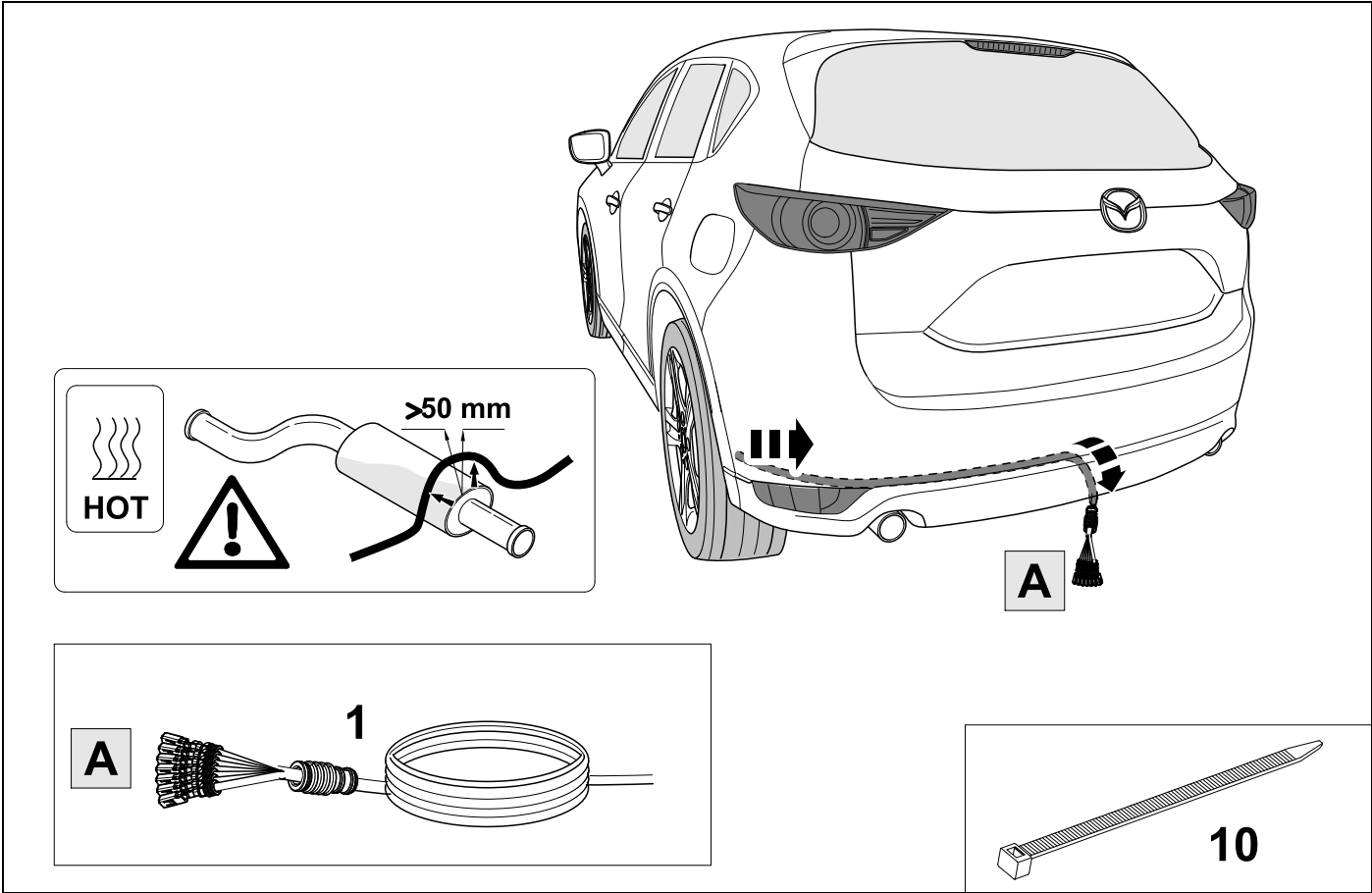


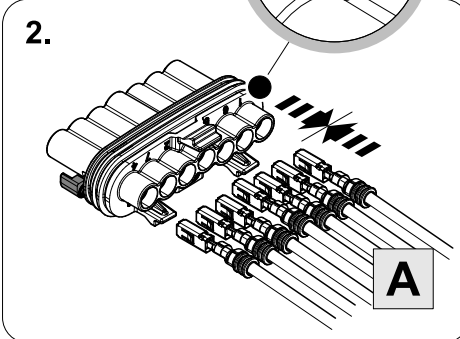
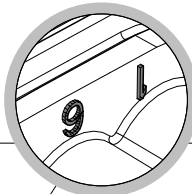
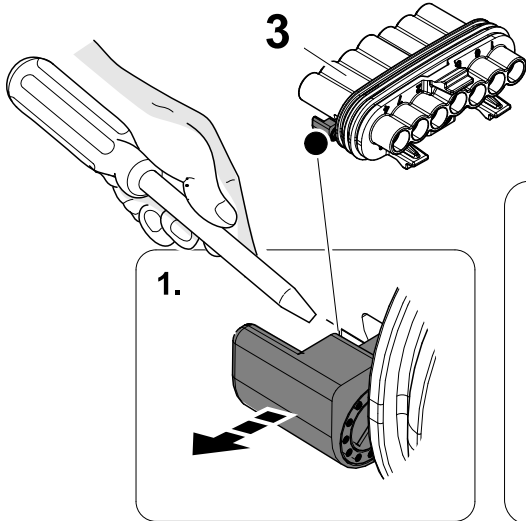
2 REMOVE



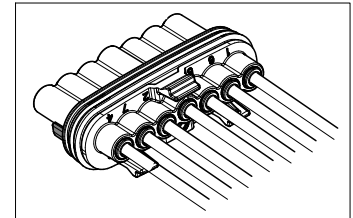
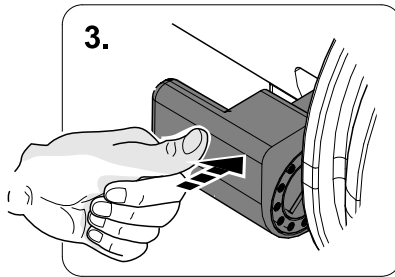
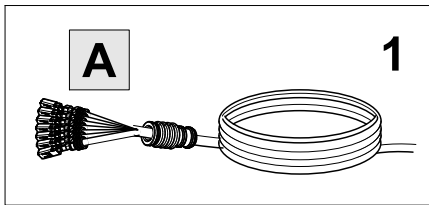


4

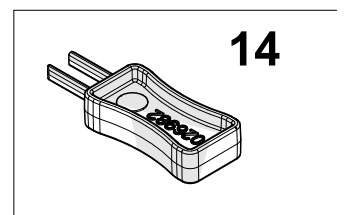
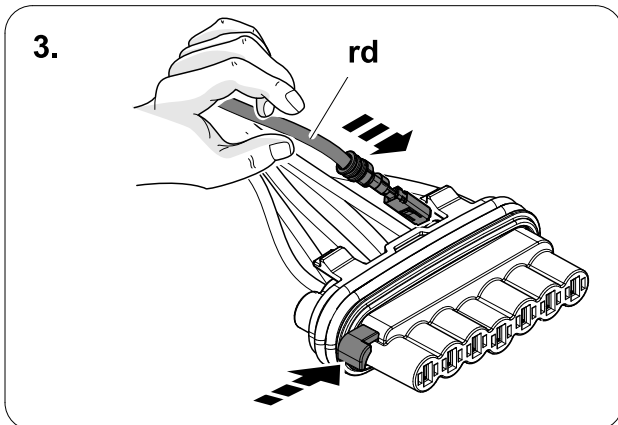
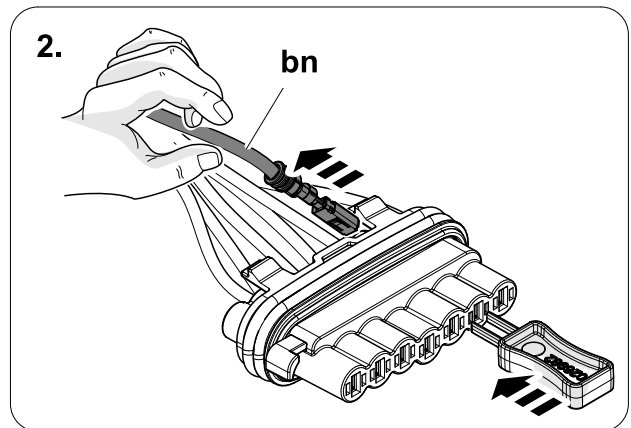
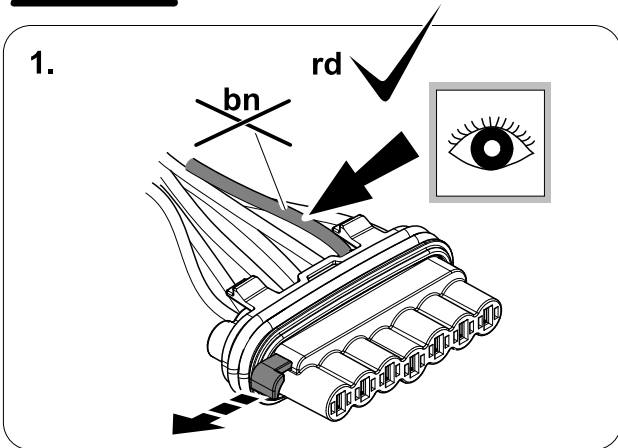




| | | |
|----|---|--|
| ye | 1 | |
| rd | 6 | |
| bu | 5 | |
| wh | 3 | |
| bk | 2 | |
| bn | 7 | |
| gn | 4 | |



In case of wrong pin insert:



6



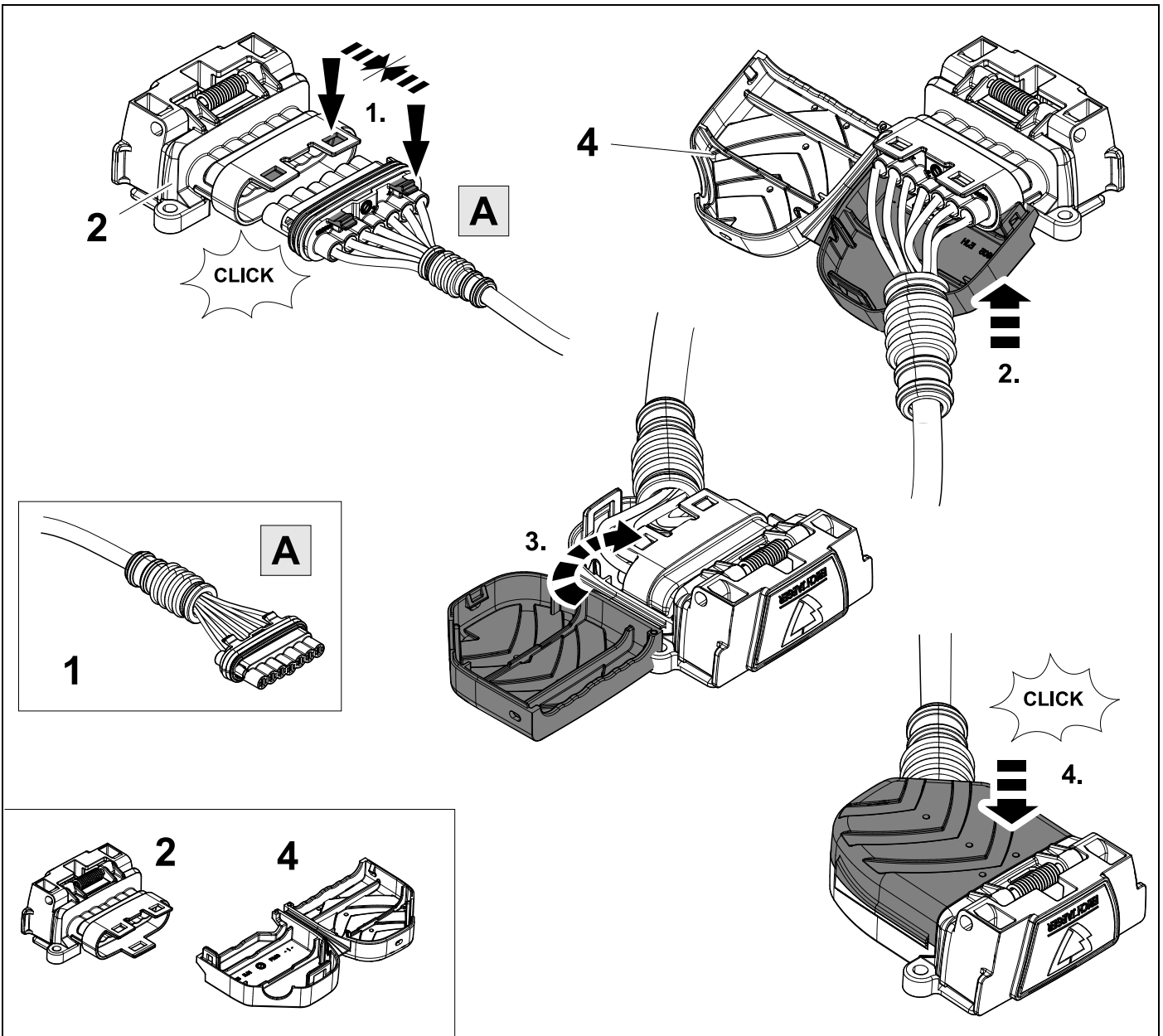
8

| | | |
|---|----|--|
| 1 | ye | |
| 2 | bk | |
| 3 | wh | |
| 4 | gn | |
| 5 | bu | |
| 6 | rd | |
| 7 | bn | |

7



6



| | | | | | | | | | | | |
|----------|-----------|-----------|-----------|-----------|-----------|-----------|-----------|-----------|-----------|-----------|-----------|
| 8 | bk | wh | gy | gn | rd | bu | ye | bn | pu | or | no |
|----------|-----------|-----------|-----------|-----------|-----------|-----------|-----------|-----------|-----------|-----------|-----------|

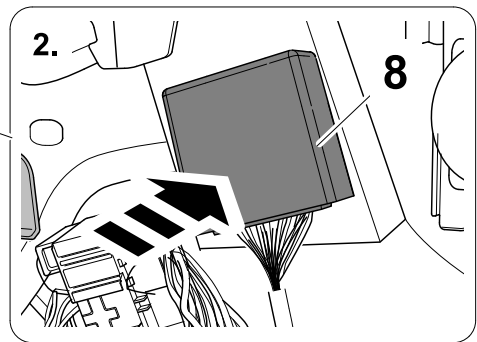
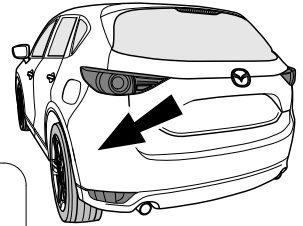
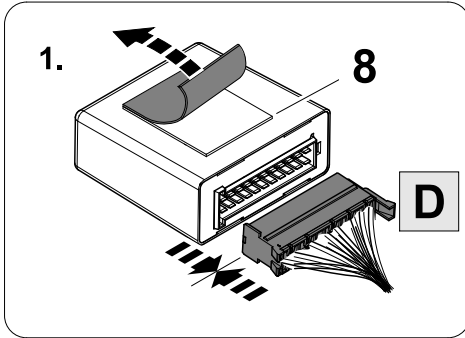
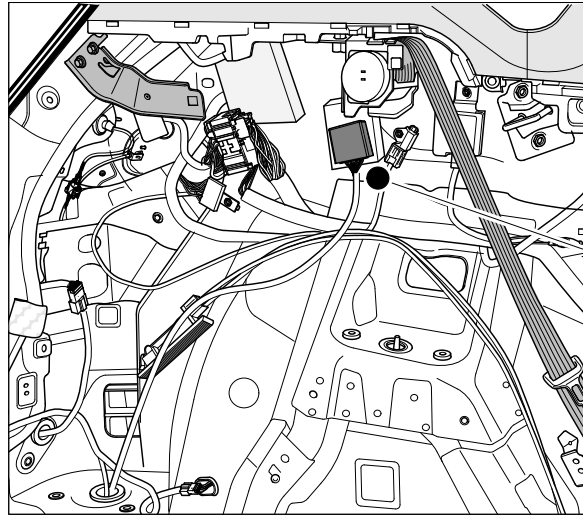
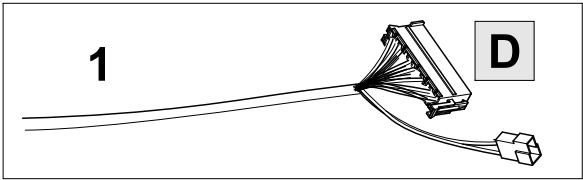
| | | | | | | | | | | | |
|-----------|-------|-------|------|-------|-----|------|--------|-------|--------|--------|--------------|
| GB | black | white | grey | green | red | blue | yellow | brown | purple | orange | not occupied |
|-----------|-------|-------|------|-------|-----|------|--------|-------|--------|--------|--------------|

9

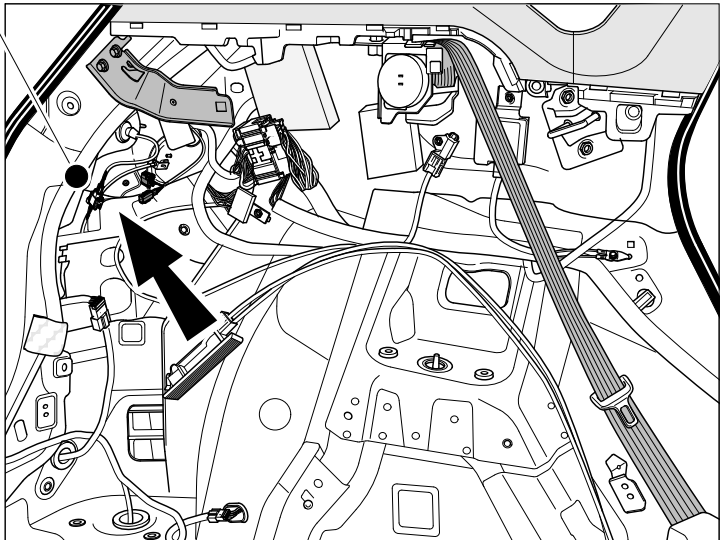
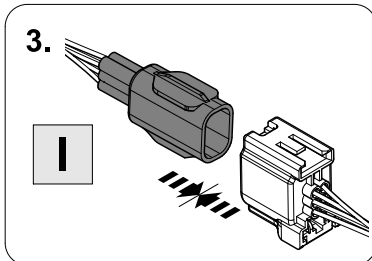
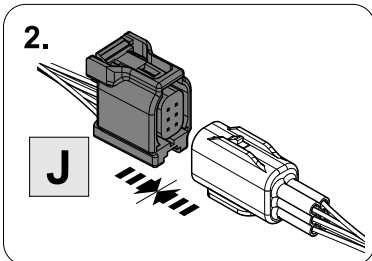
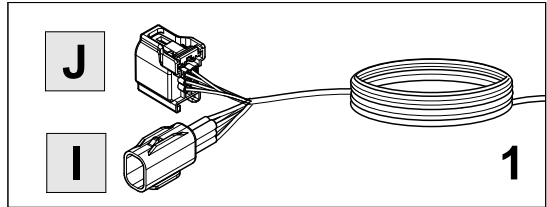
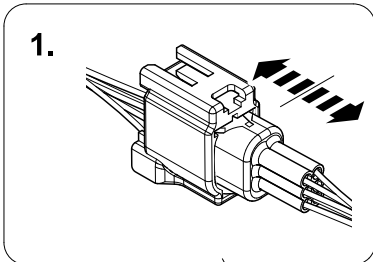
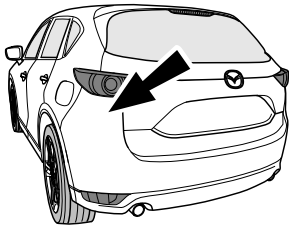
The diagram illustrates the installation of a rear view camera. It shows a wiring harness (16) with a connector (15) being connected to the camera unit (1). The camera unit is mounted on a bracket (11) at the rear of the vehicle. A car diagram shows the camera location at the rear. A parts list shows two screws (15) and two nuts (16).

| | |
|-----------|-----------|
| 15 | 16 |
| | |
| 2x | 2x |

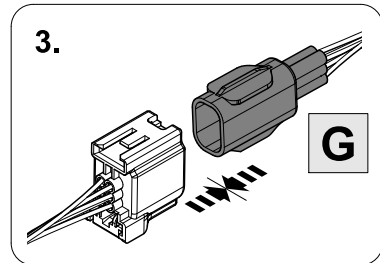
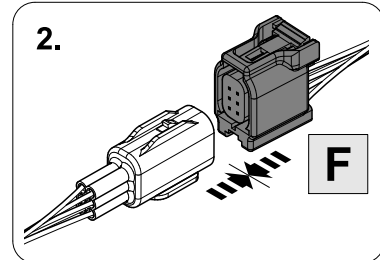
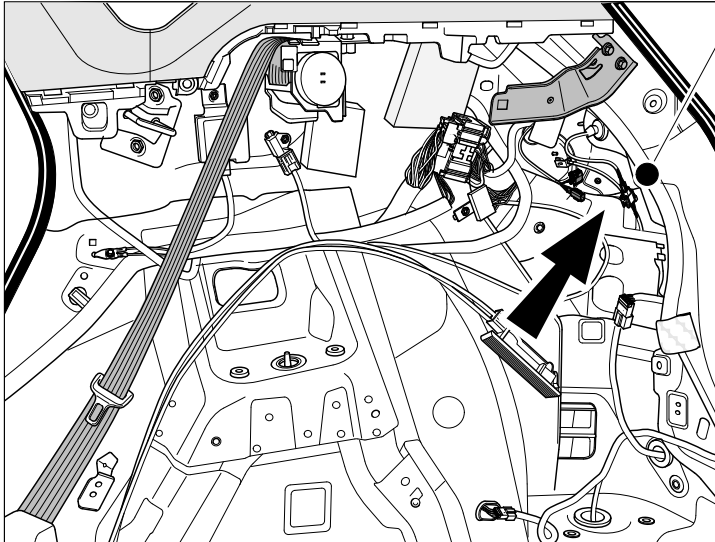
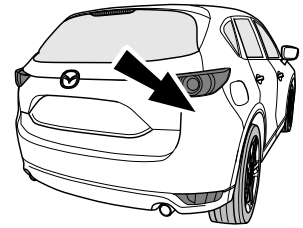
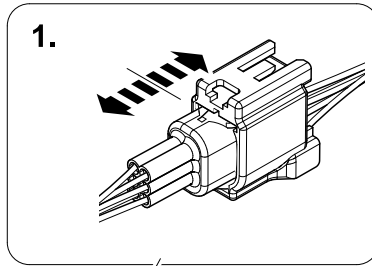
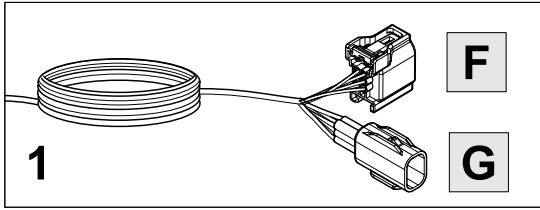
10



11

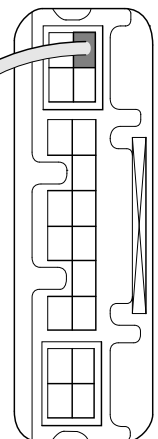
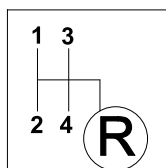
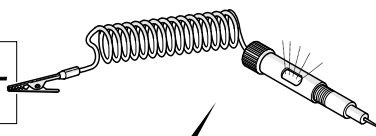
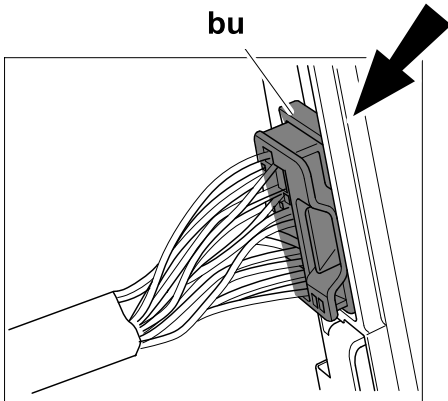
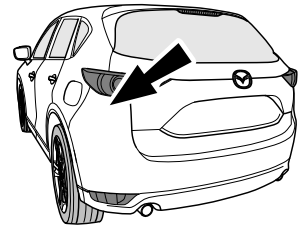
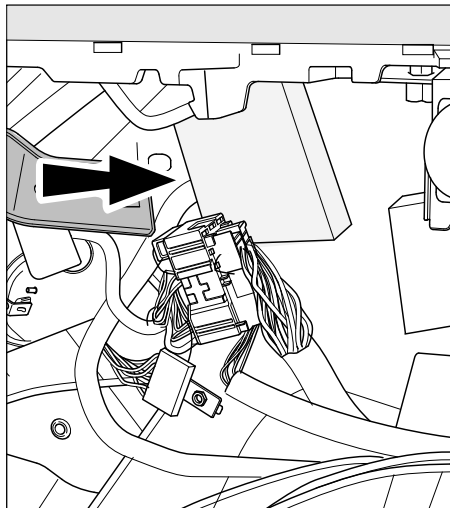
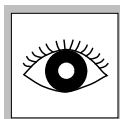


12



13

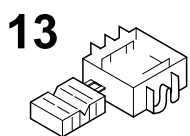
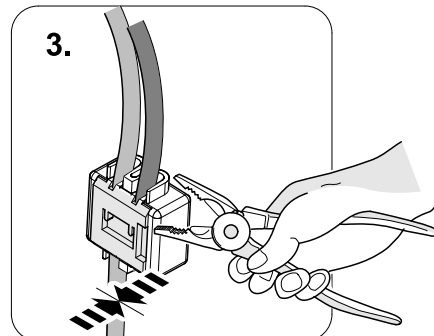
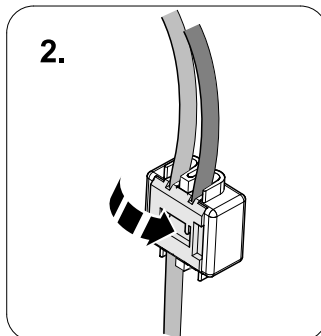
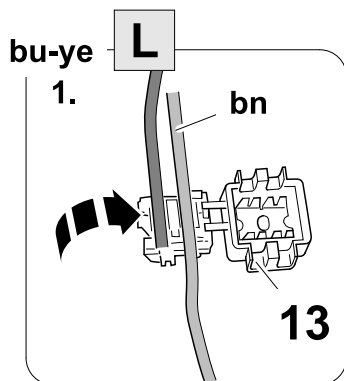
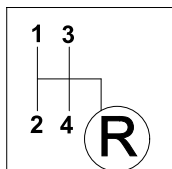
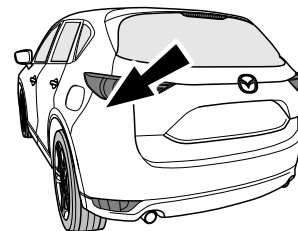
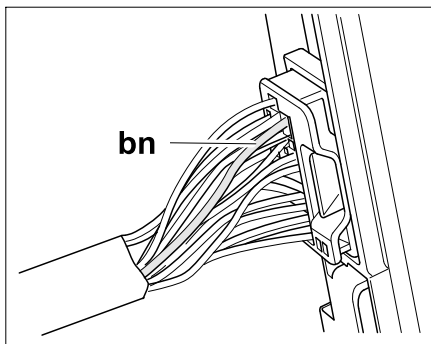
👁️ ⇒ 8



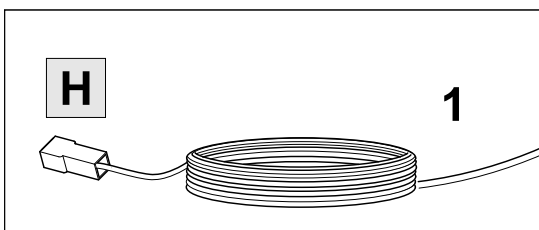
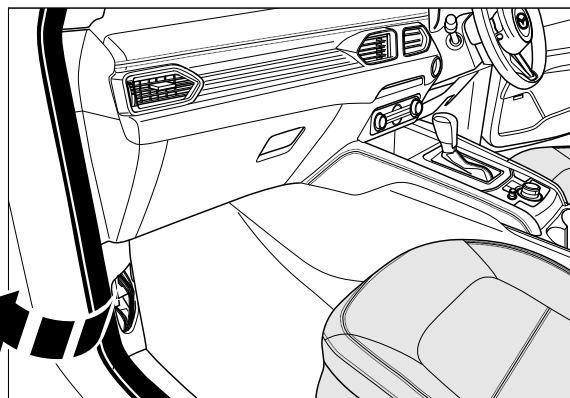
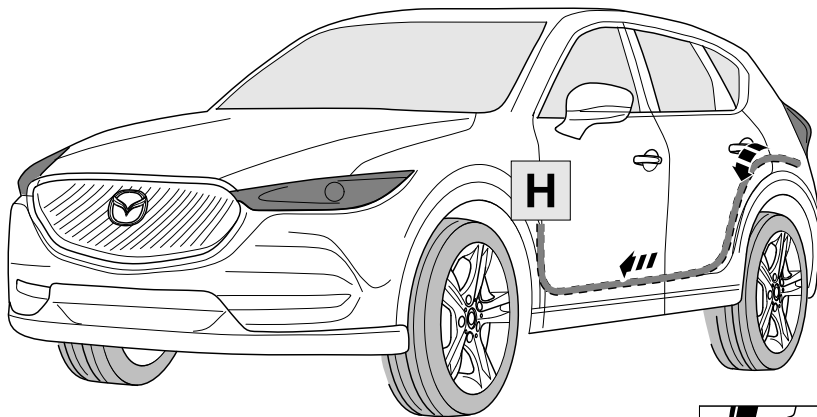
14

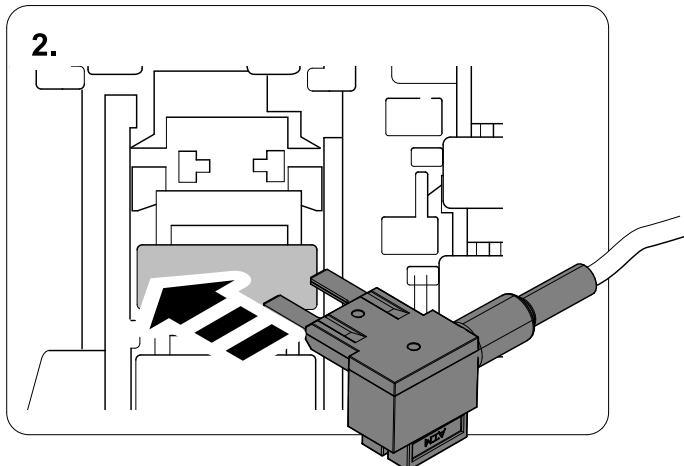
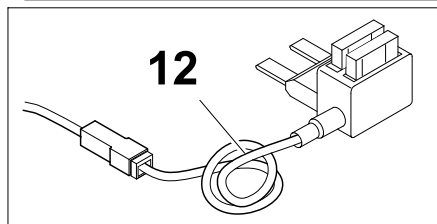
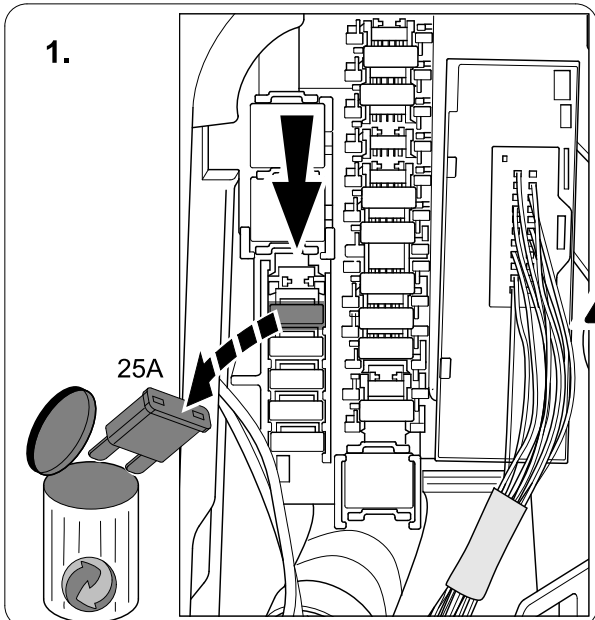
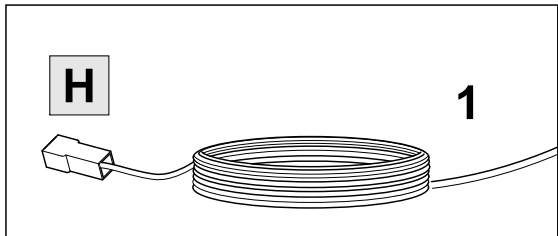
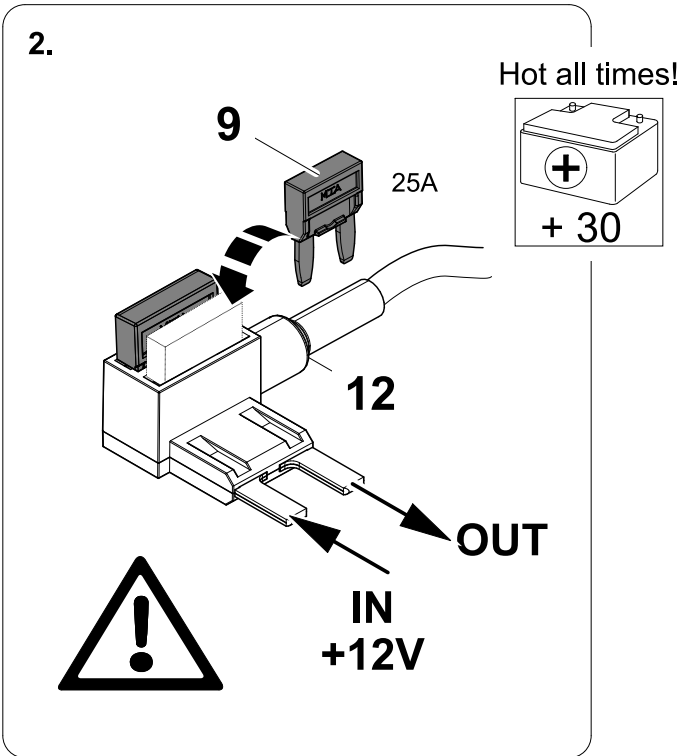
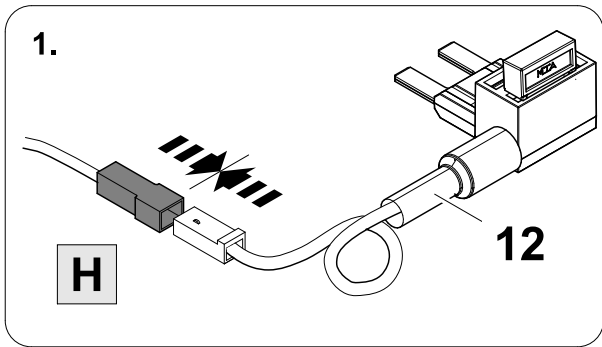


8

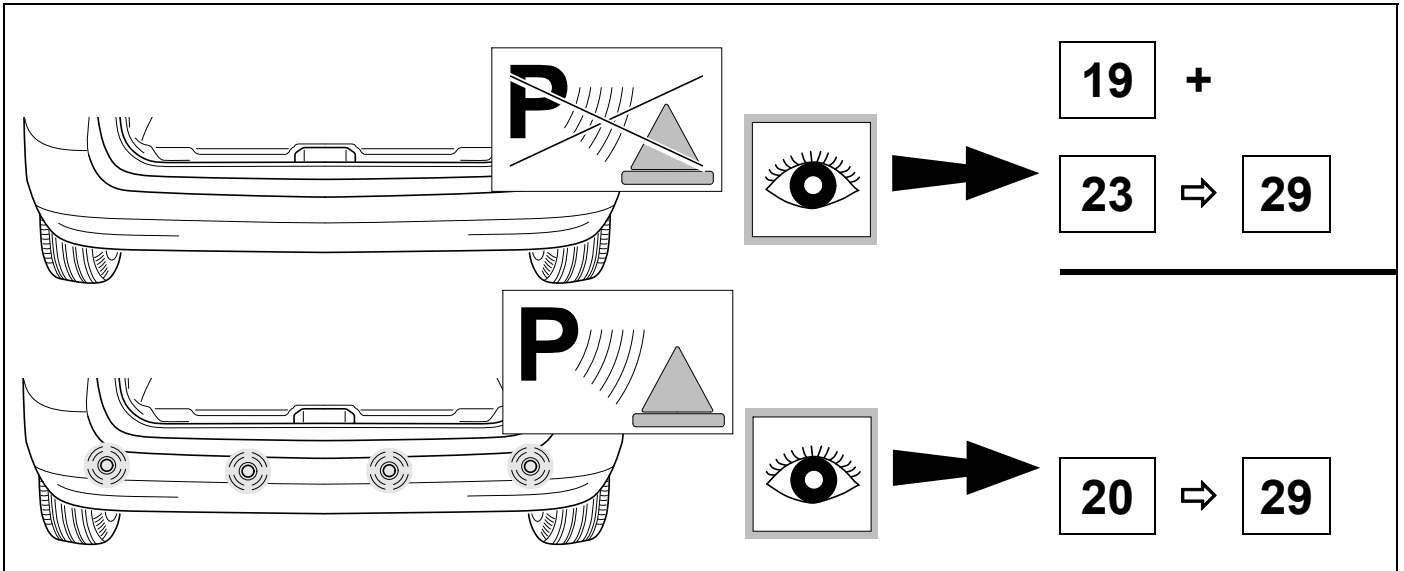


15

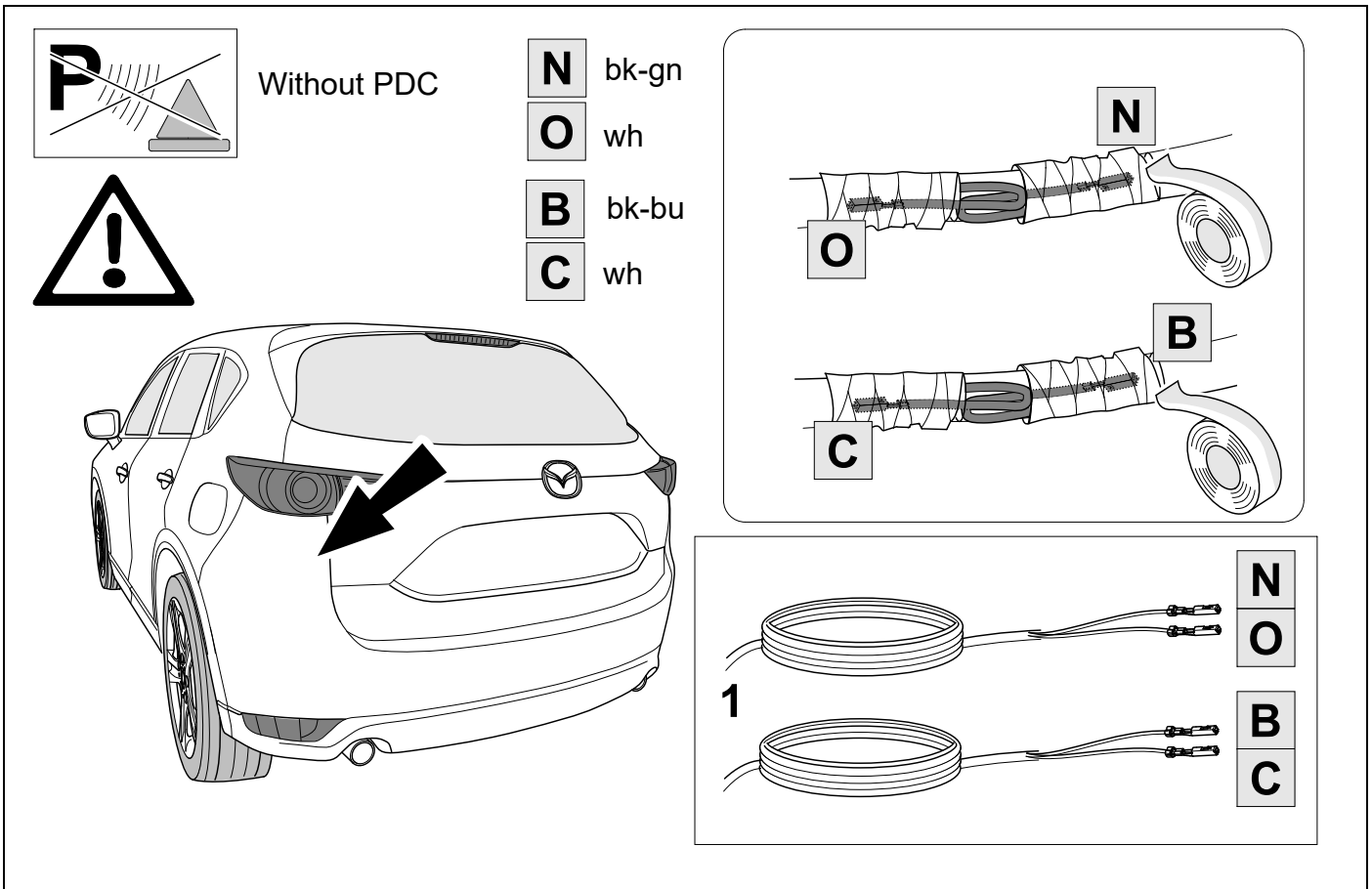


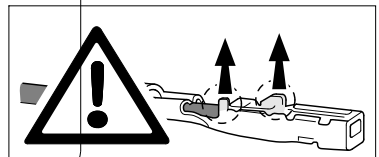
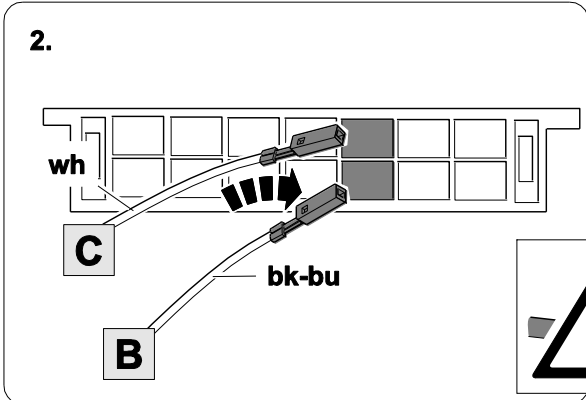
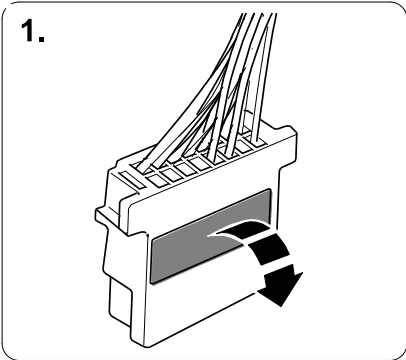
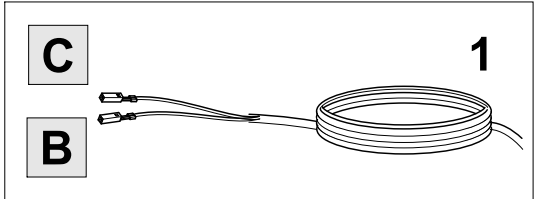
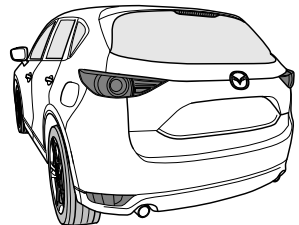
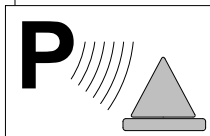
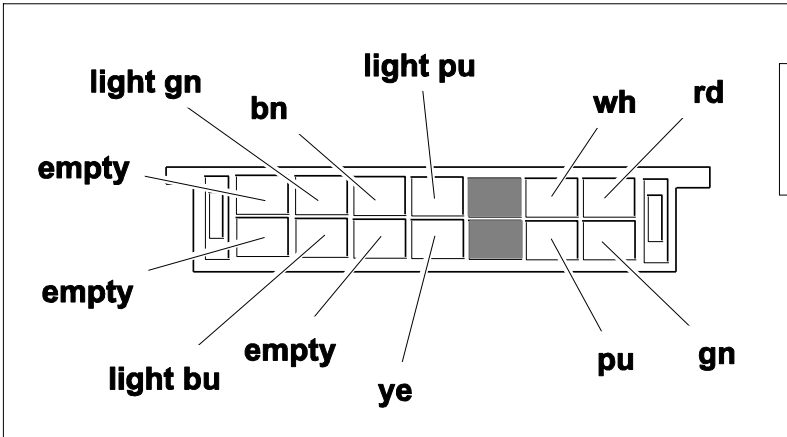
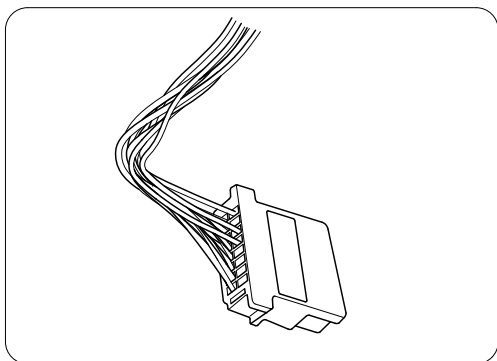
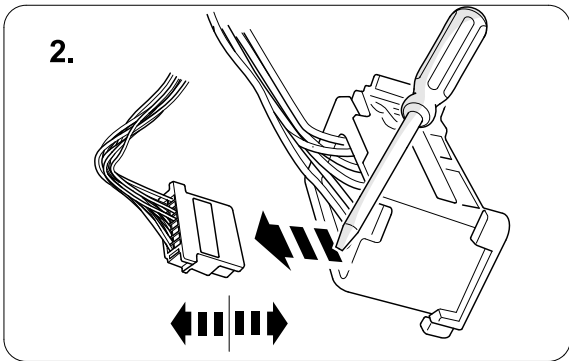
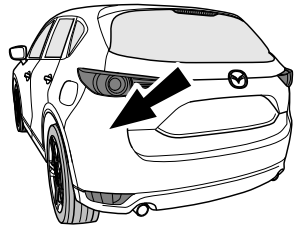
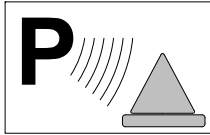
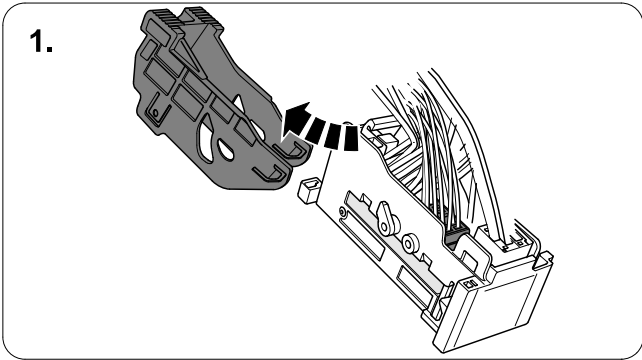


18



19



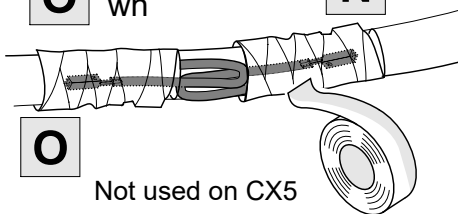




1. **N** bk-gn

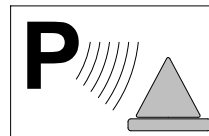
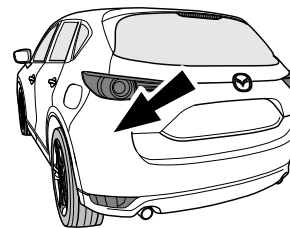
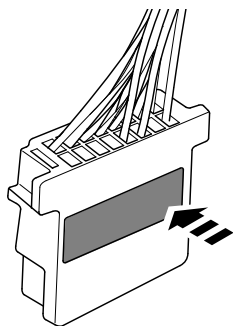
O wh

N

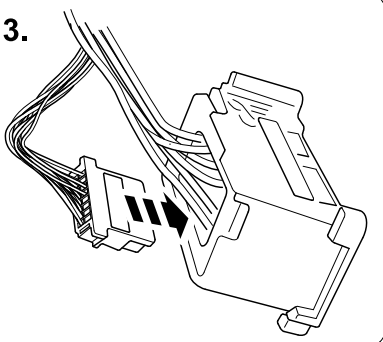


Not used on CX5

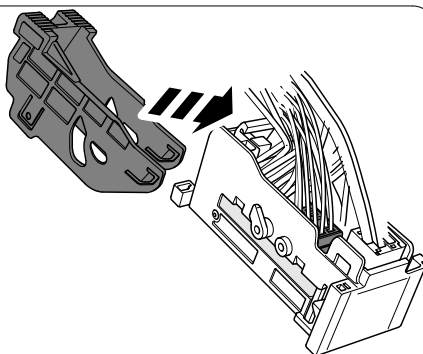
2.



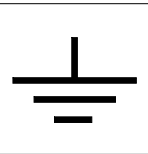
3.



4.

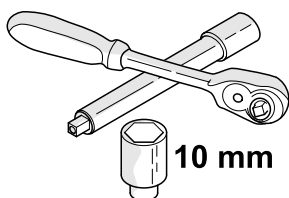
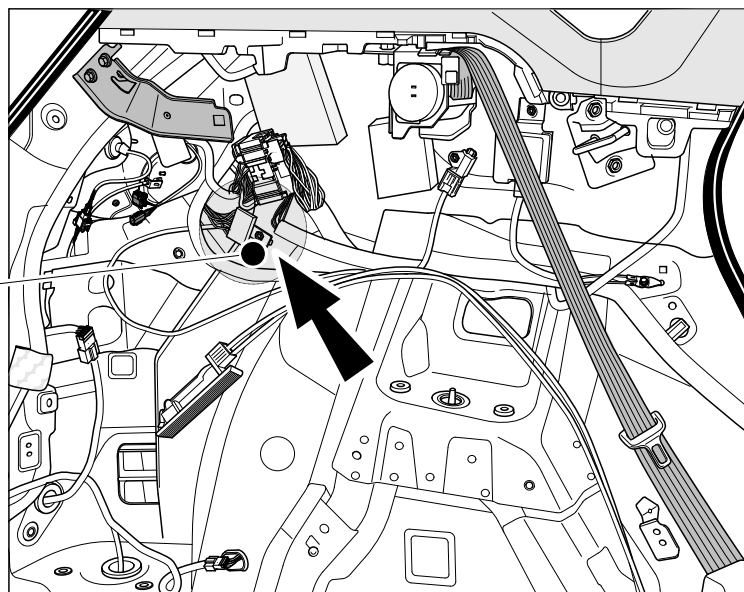
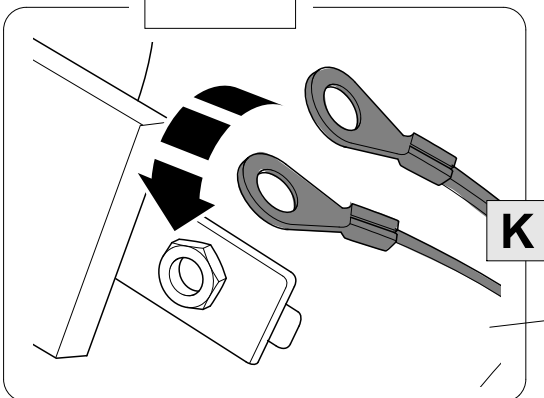
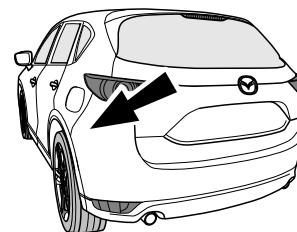


Ground!

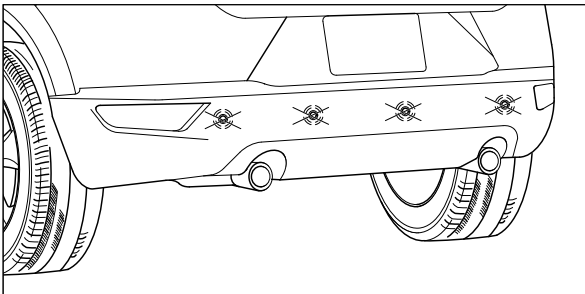
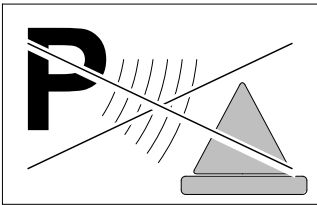
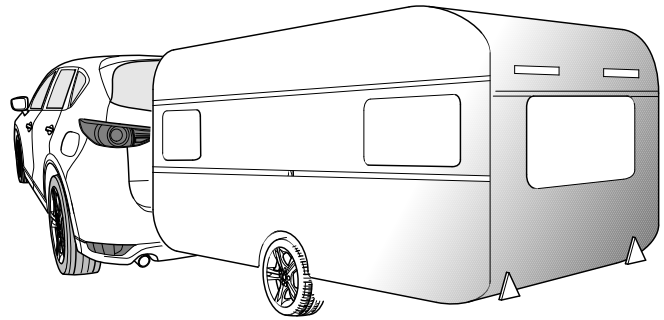
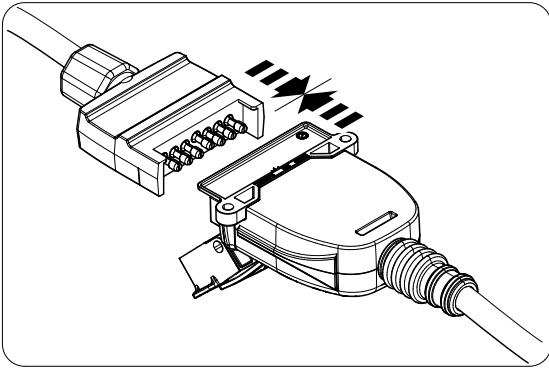


K

1



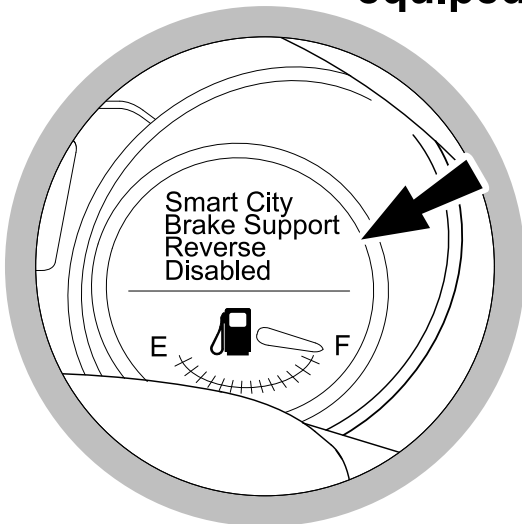
10 mm



The PDC or SCBS-R system is not active while the parking brake is engaged.

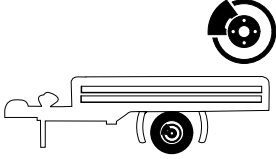


In order to test automatic PDC and SCBS-R deactivation while stationary, plug in a trailer light tester or trailer and ensure the parking brake is disengaged. A deactivation message will be displayed as shown, if equipped with SCBS-R.

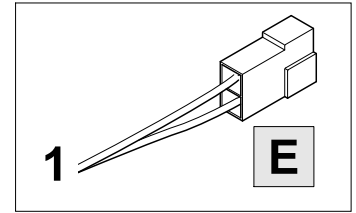




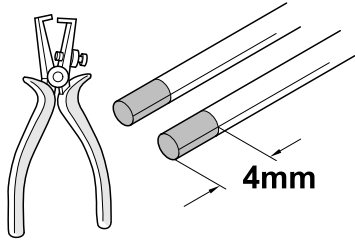
**BRAKE
CONTROLLER
PREPARED**



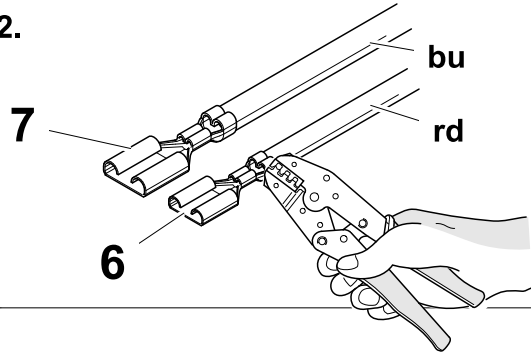
Trailer Brake Preparation



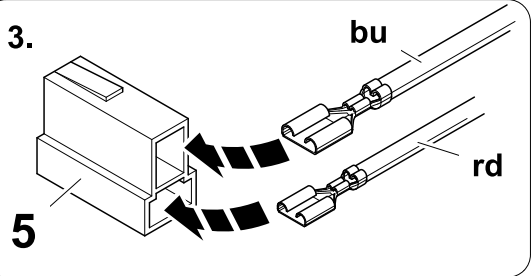
1.



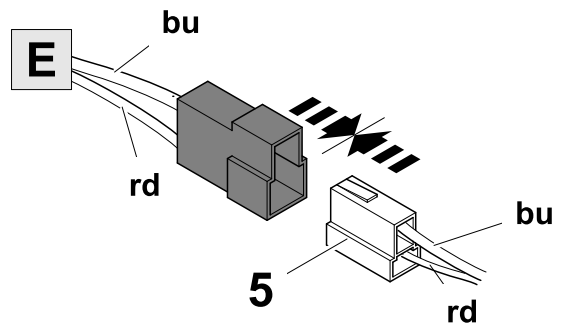
2.



3.



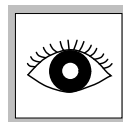
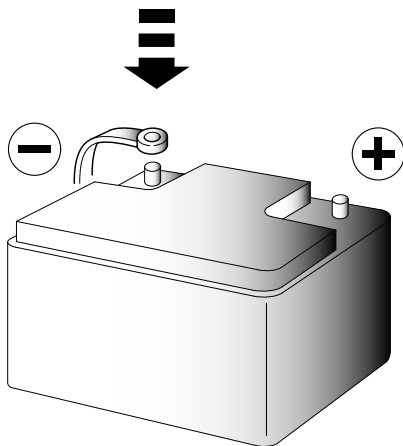
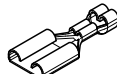
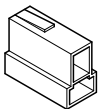
4.



5

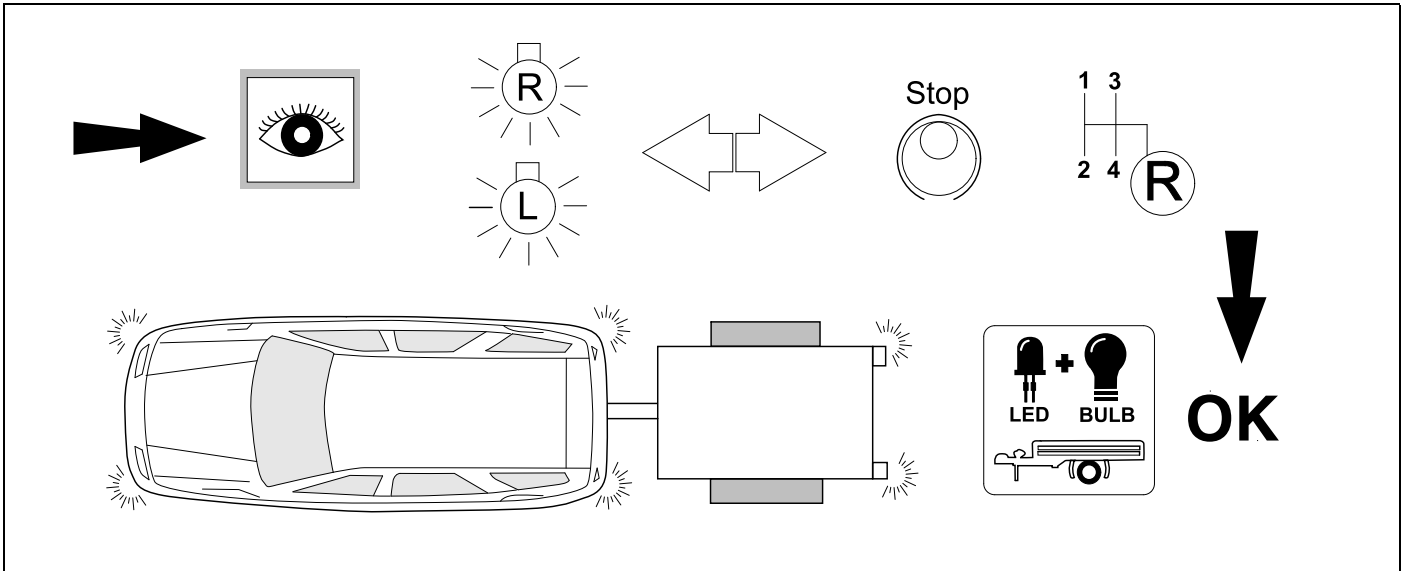
6

7



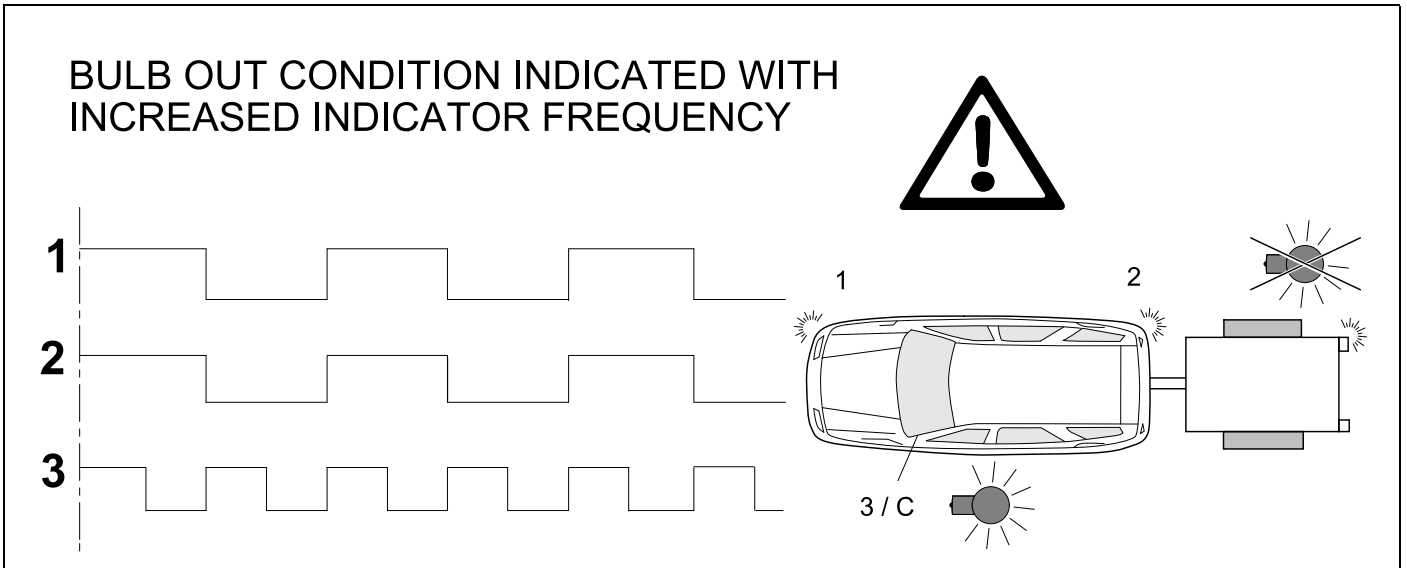
27

CHECK ALL LIGHTING FUNCTIONS



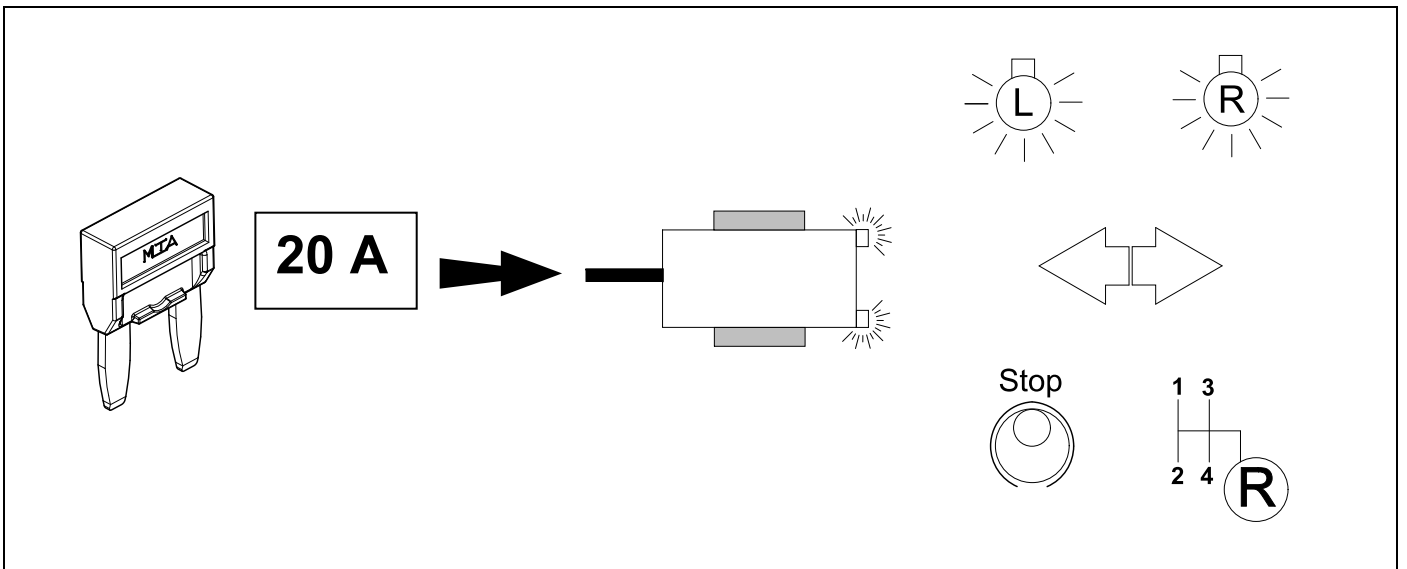
28

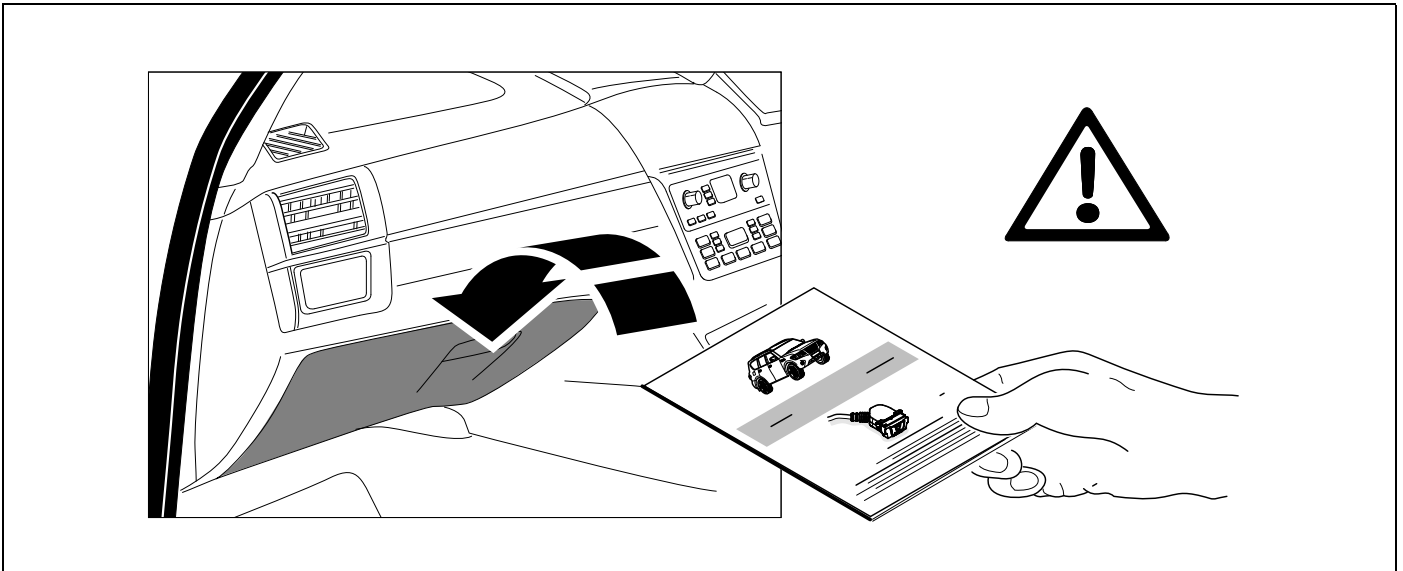
CHECK BULB OUT DETECTION (Pre Facelift Models Only >11/21)



29

👁️ ⇒ 16





Subject to change in terms of construction, equipment and colour, and may contain errors.
The information and illustrations are non-binding.