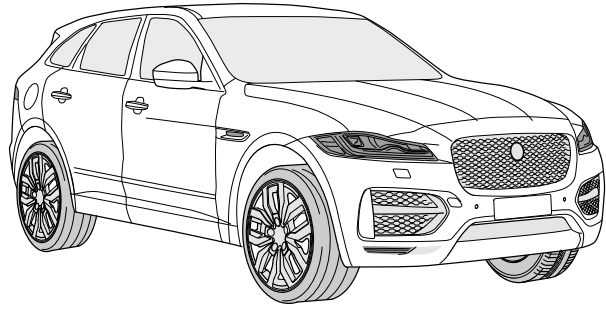
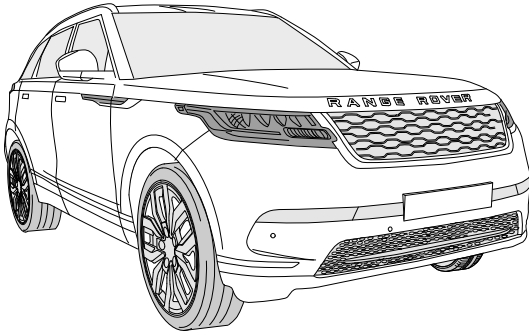




ERICH JAEGER

# Installation instructions



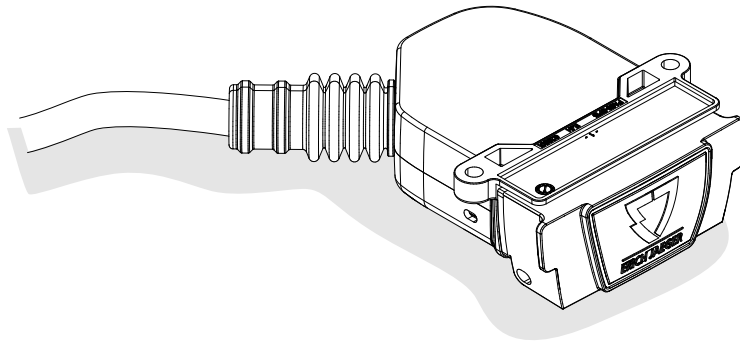
## 750107EJ

**Range Rover Velar**  
**Jaguar F-Pace**

**06/17 - 12/20**  
**06/17 - 03/21**



SCAN FOR  
LATEST  
INSTRUCTIONS



 <b>LED + BULB</b>	<b>BRAKE CONTROLLER PREPARED</b> 	<b>WATERPROOF SOCKET INCLUDED</b>  <b>WEATHERLOCK™</b>	<b>MADE TOUGH WITH FIBERCORE™ TECHNOLOGY</b> 
-----------------------	--------------------------------------	--	--

### Reference:

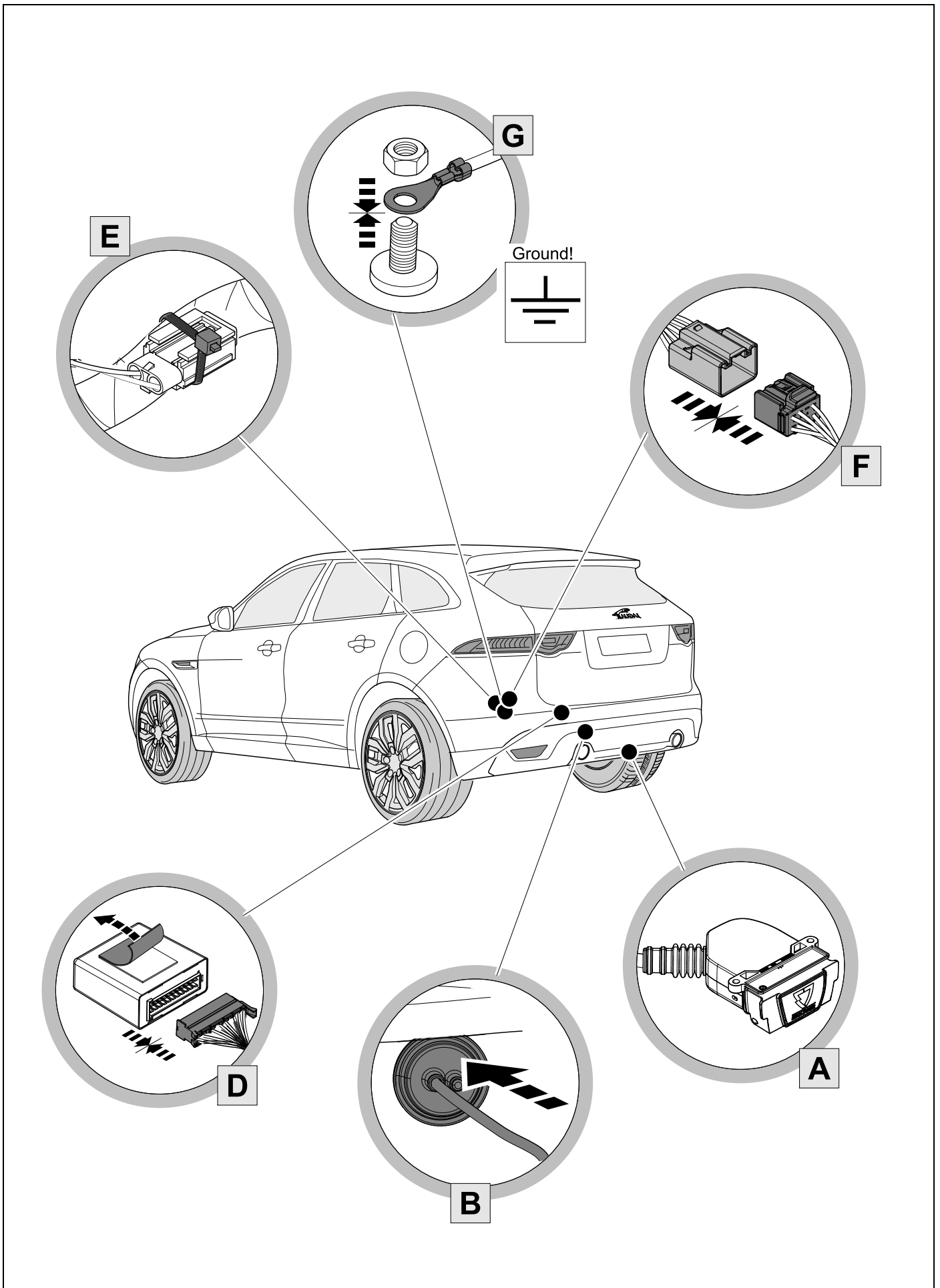
The following information must be reviewed before beginning the assembly:

The installation instructions are to be thoroughly read.

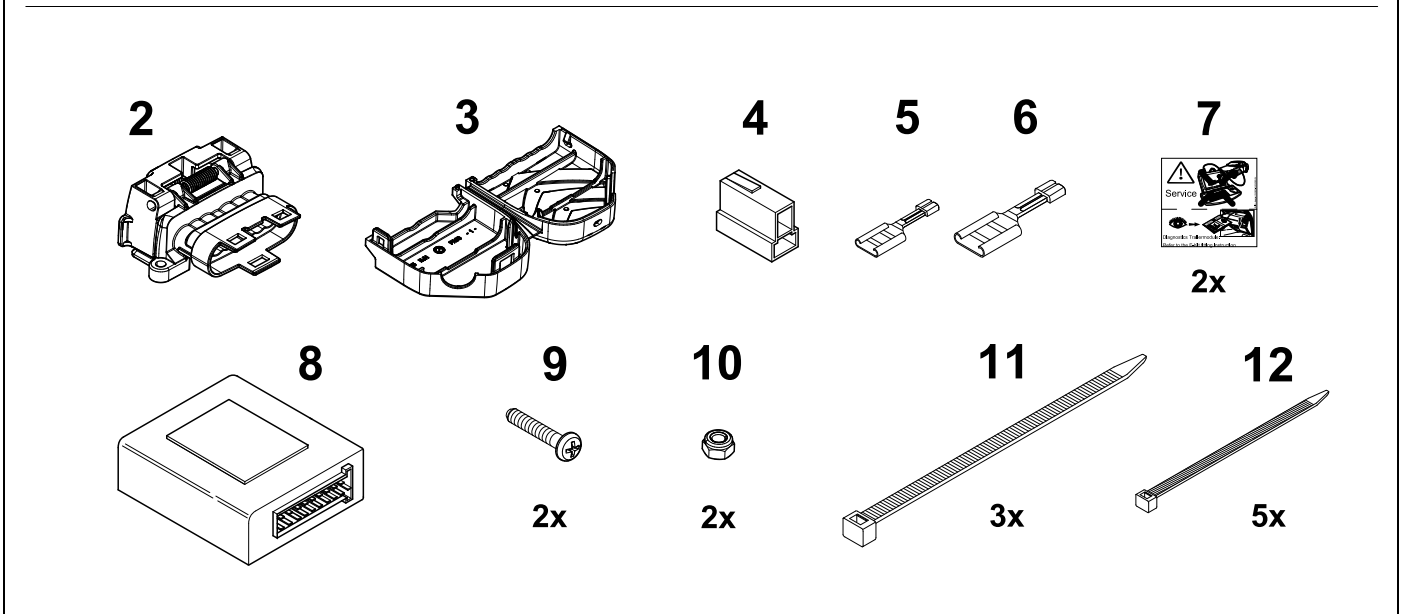
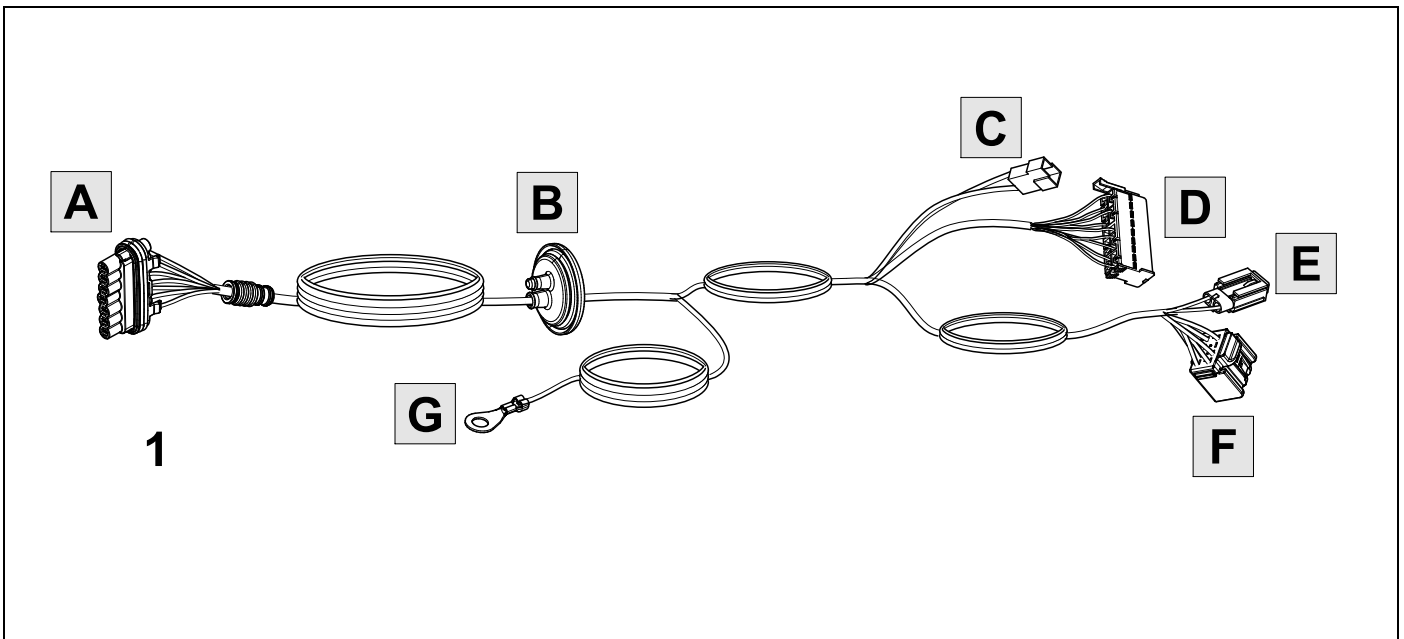
The installation should be carried out by qualified personnel with the relevant technical knowledge. The vehicle manufacturers' current technical notices and information on retrofitting must be followed. The removal and replacement instructions found in the current repair manuals must be followed.

It must be ensured that the vehicle is technically suitable for the installation of a trailer hitch.

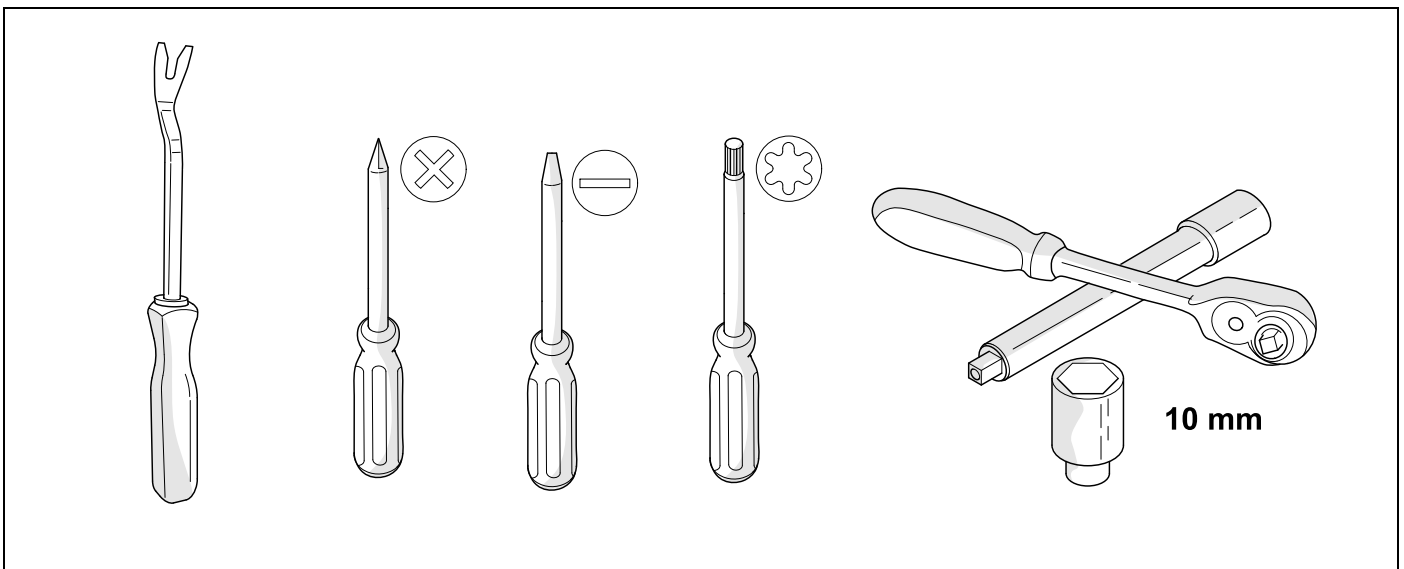
# OVERVIEW



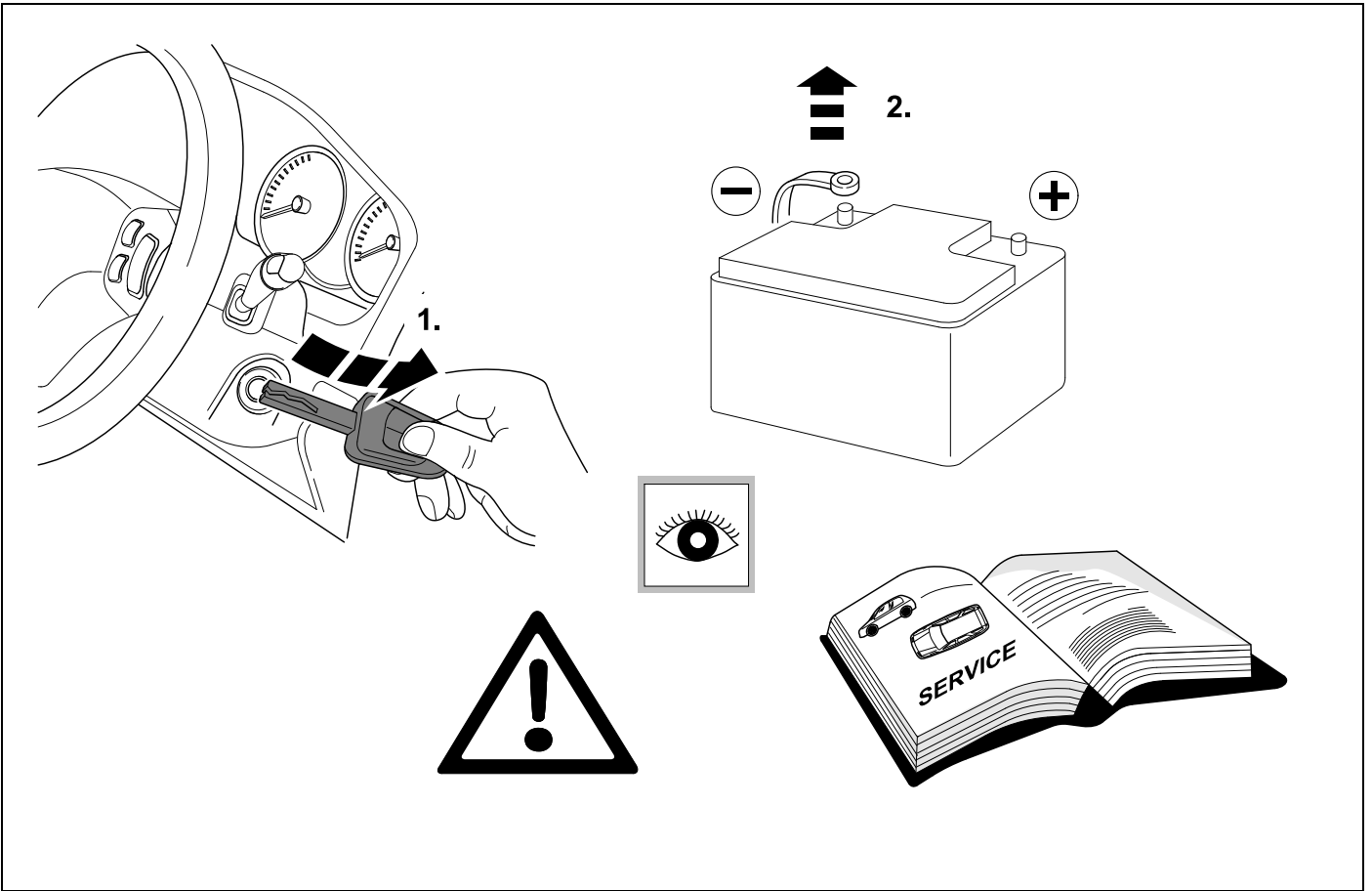
# KIT



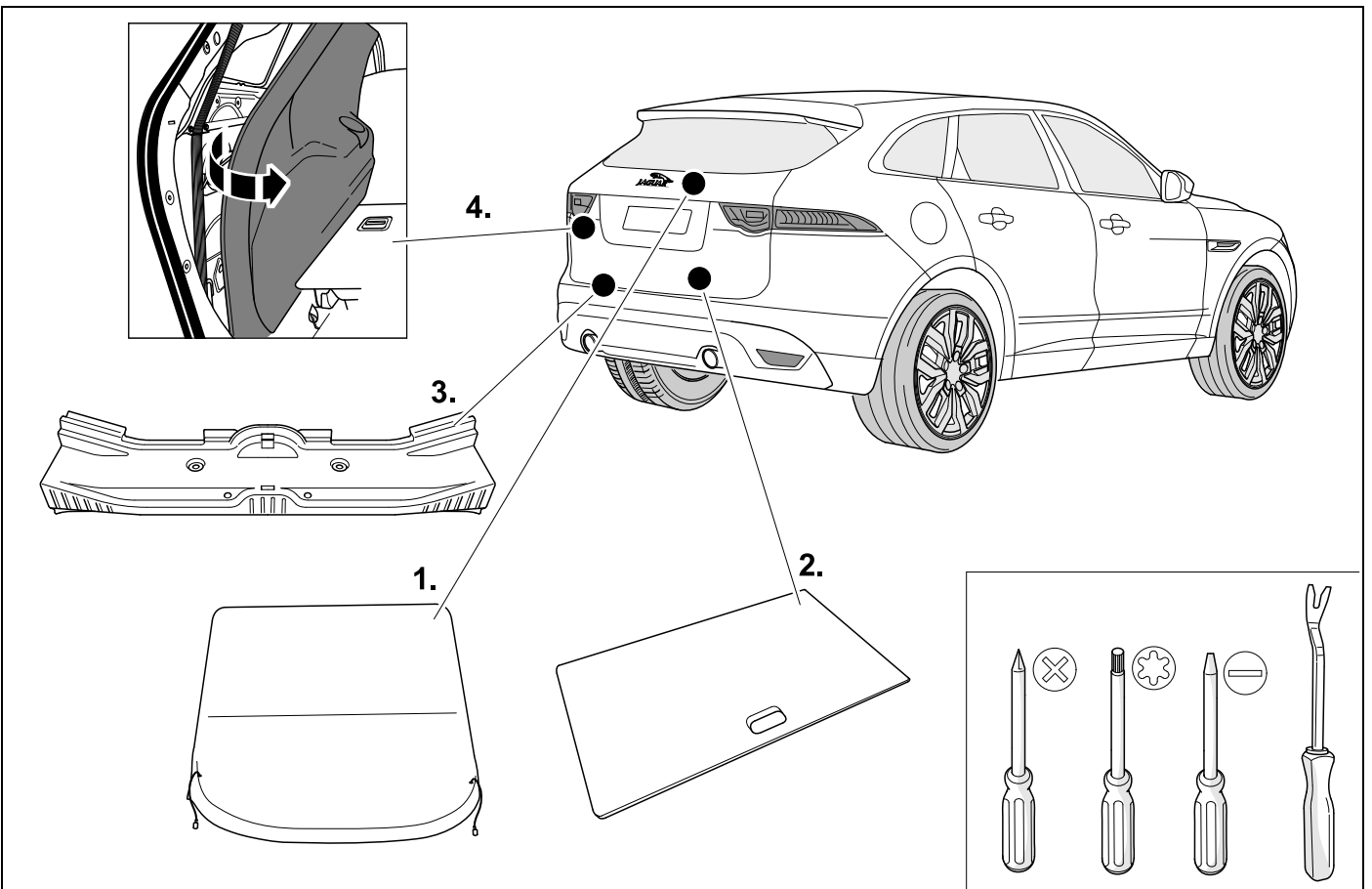
# TOOLS



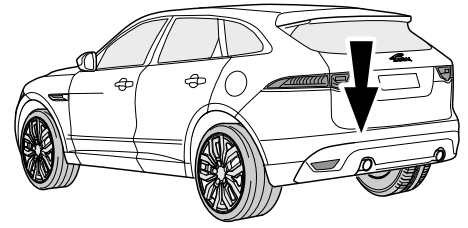
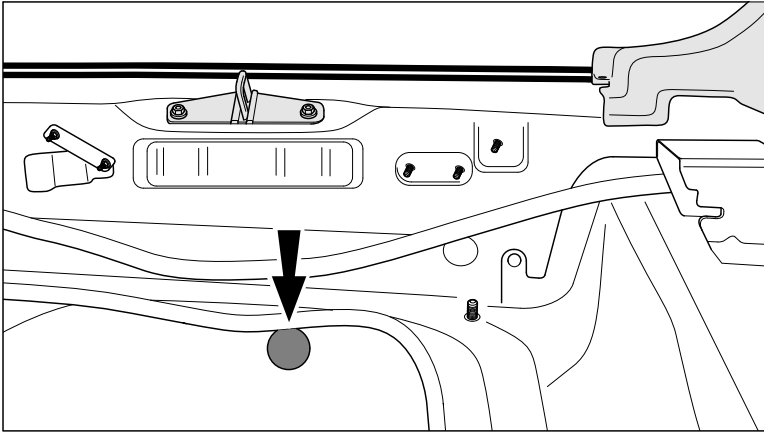
1



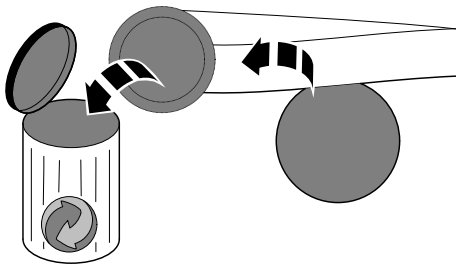
## 2 REMOVE



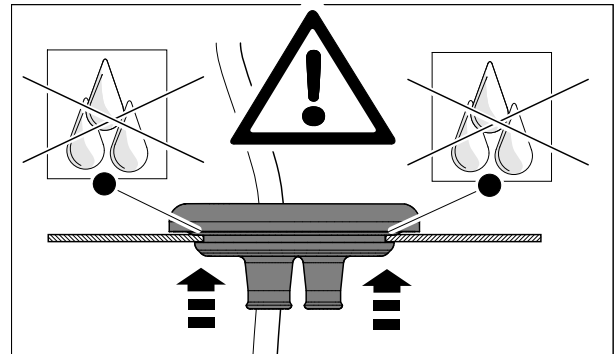
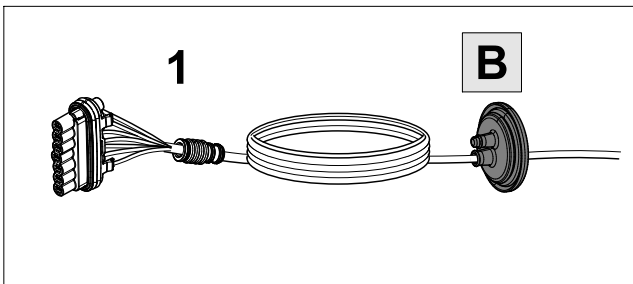
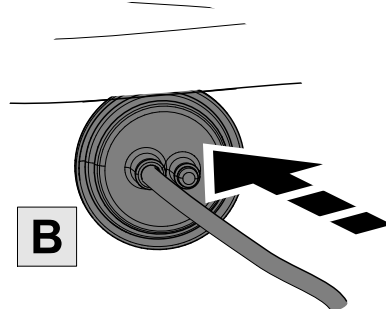
3



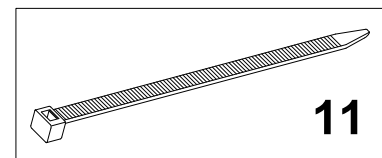
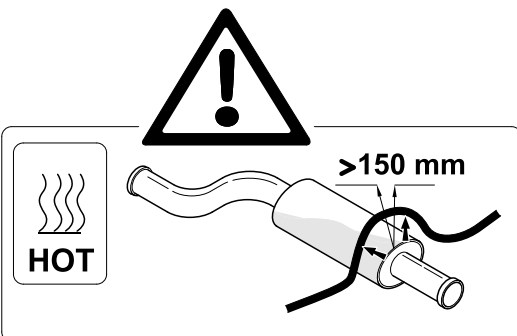
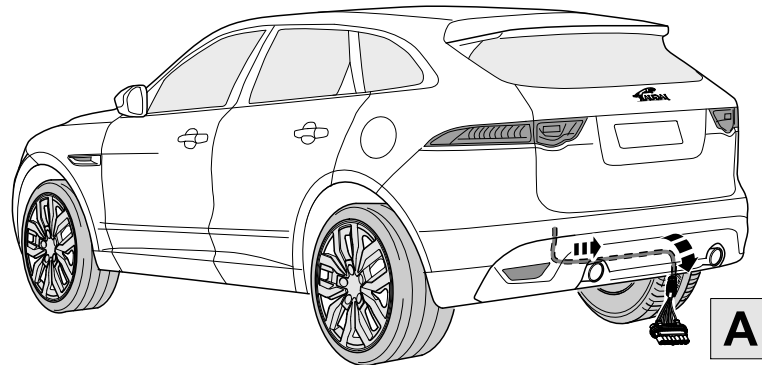
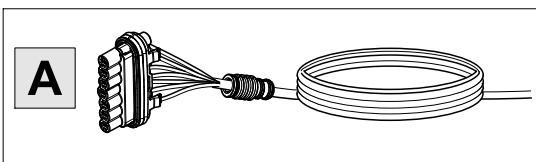
1.



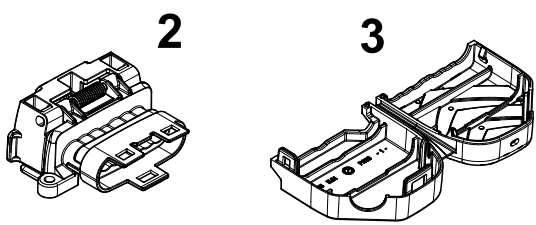
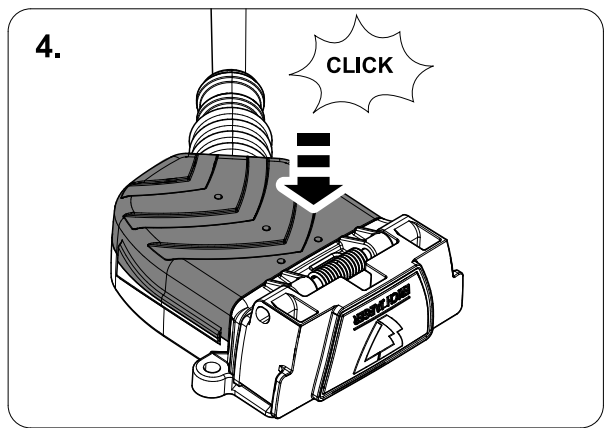
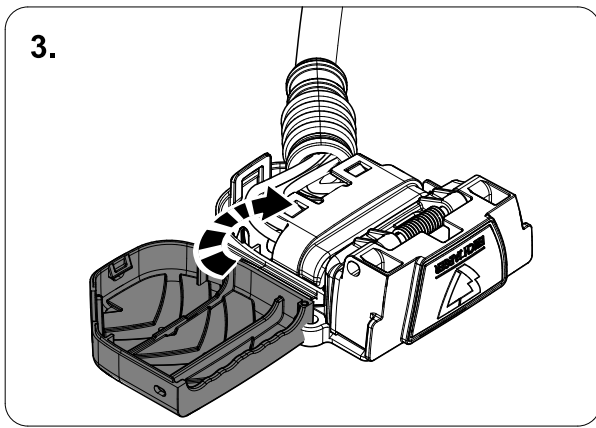
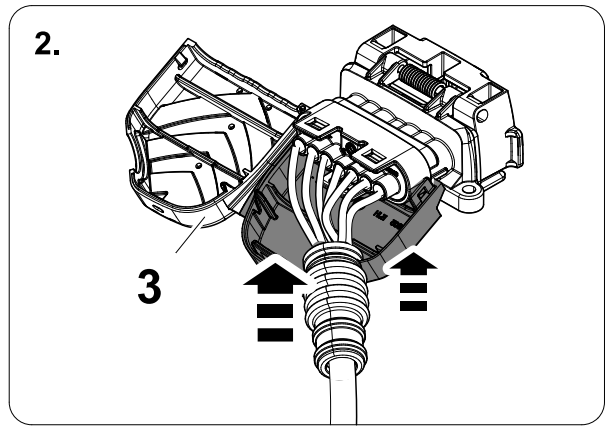
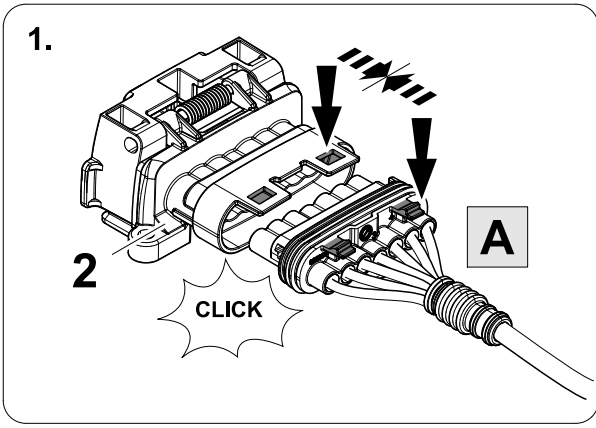
2.



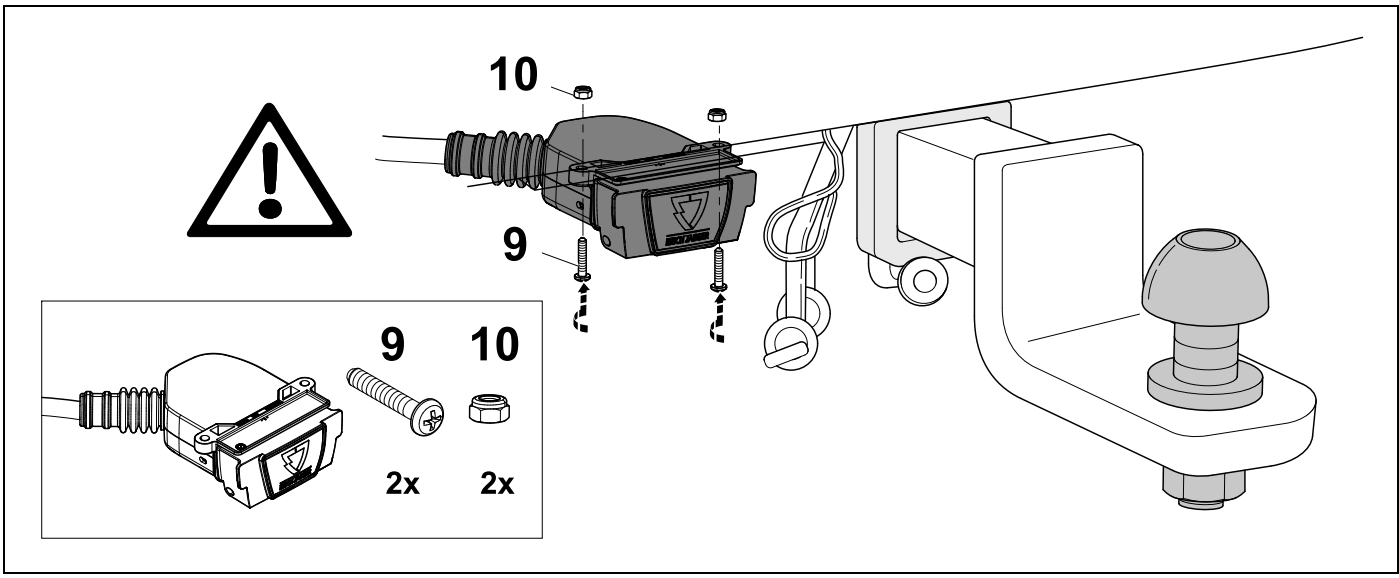
4



5



6



7

👁️ ⇒ 8

1	ye	←
2	bk	1 3 2 4 (R)
3	wh	⏏
4	gn	→
5	bu	🔑
6	rd	Stop 🛑
7	bn	☹️

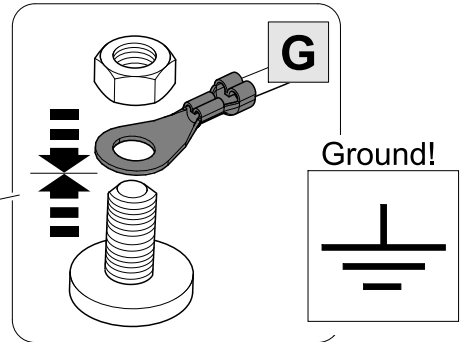
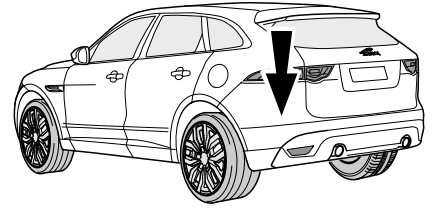
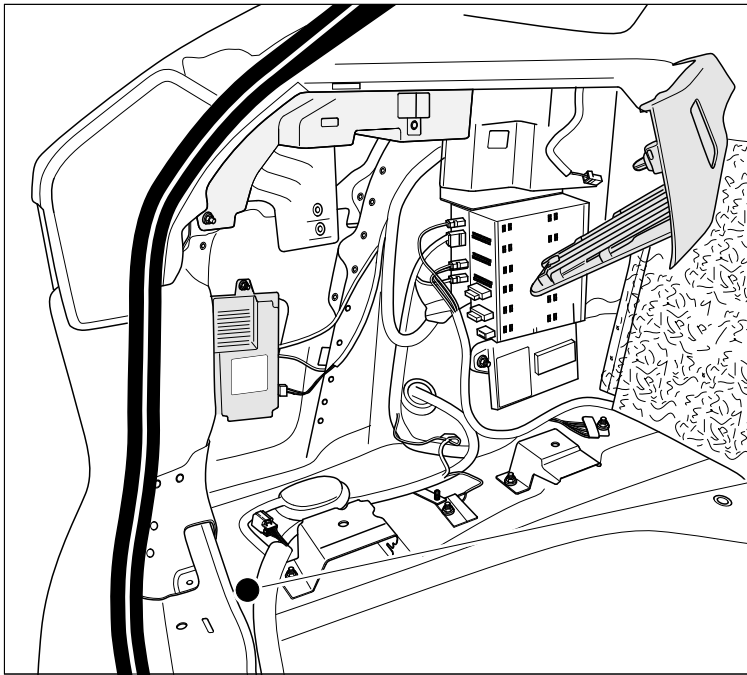
8	bk	wh	gy	gn	rd	bu	ye	bn	pu	or	no
---	----	----	----	----	----	----	----	----	----	----	----

GB	black	white	grey	green	red	blue	yellow	brown	purple	orange	not occupied
----	-------	-------	------	-------	-----	------	--------	-------	--------	--------	--------------

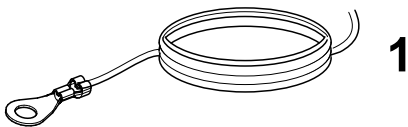
9

1.

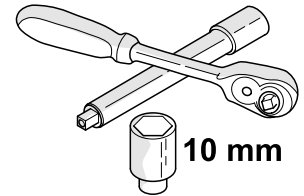
10



G

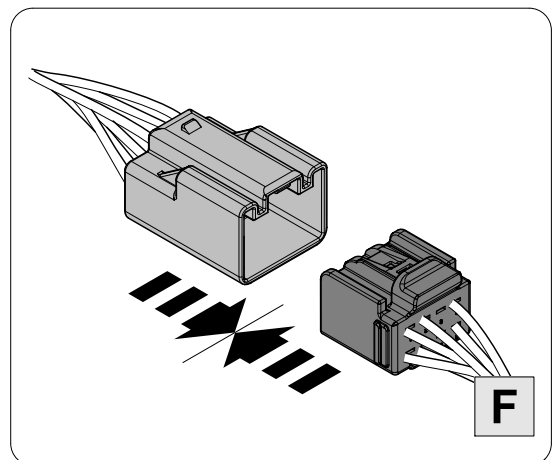
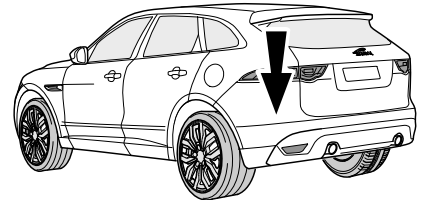
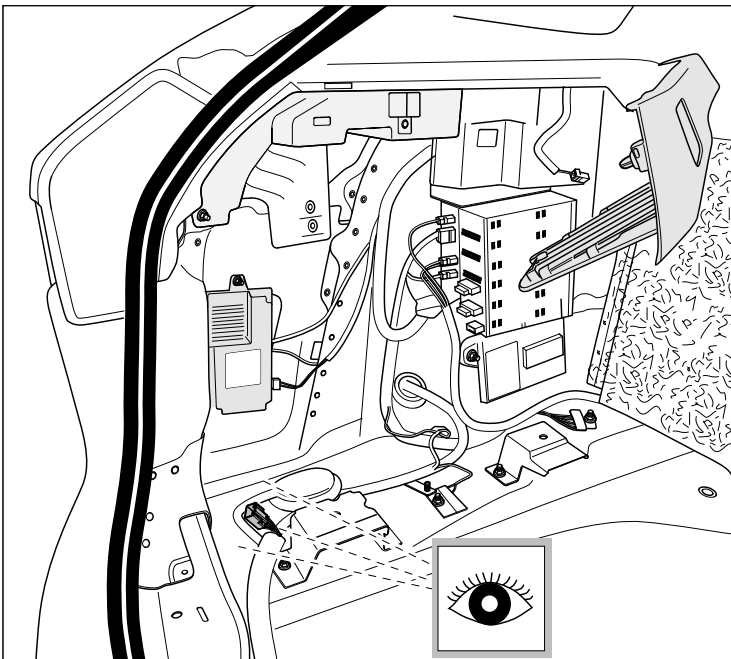


1



10 mm

11



1



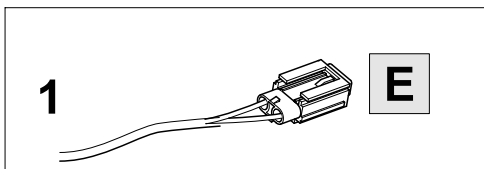
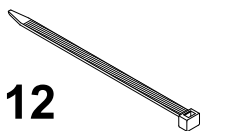
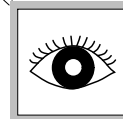
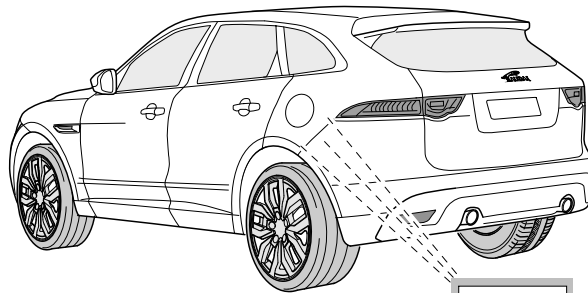
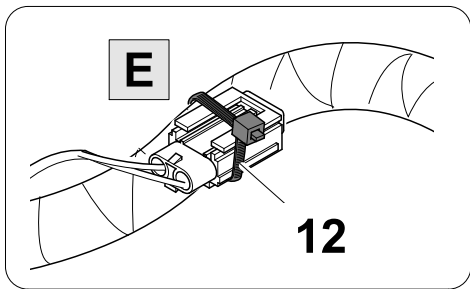
F



12



17

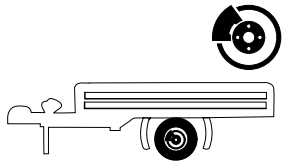


13 OPTIONAL

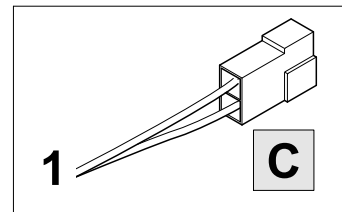


9

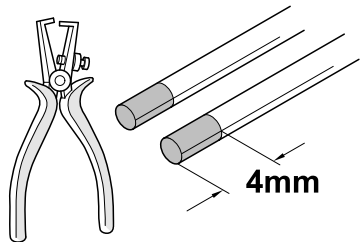
**BRAKE  
CONTROLLER  
PREPARED**



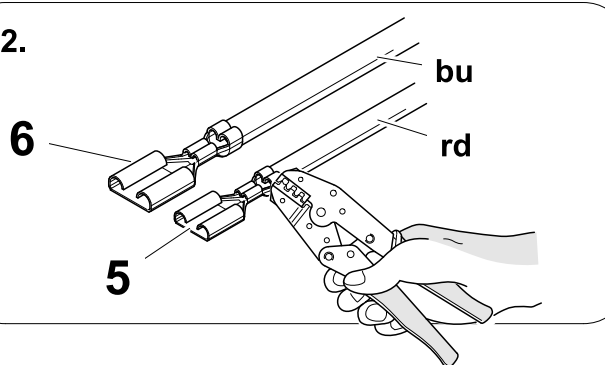
### Trailer Brake Preparation



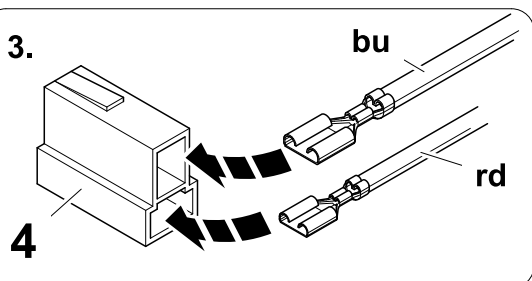
1.



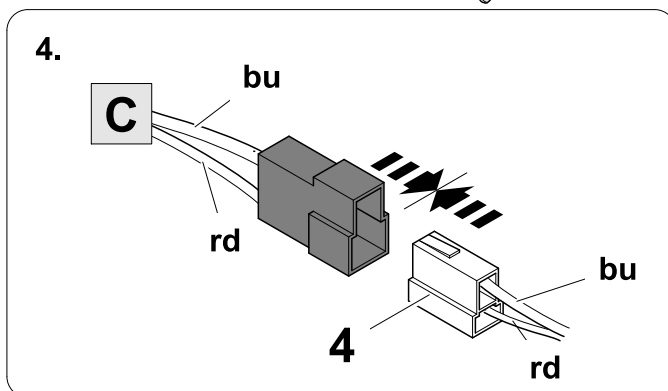
2.



3.



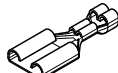
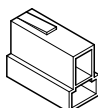
4.



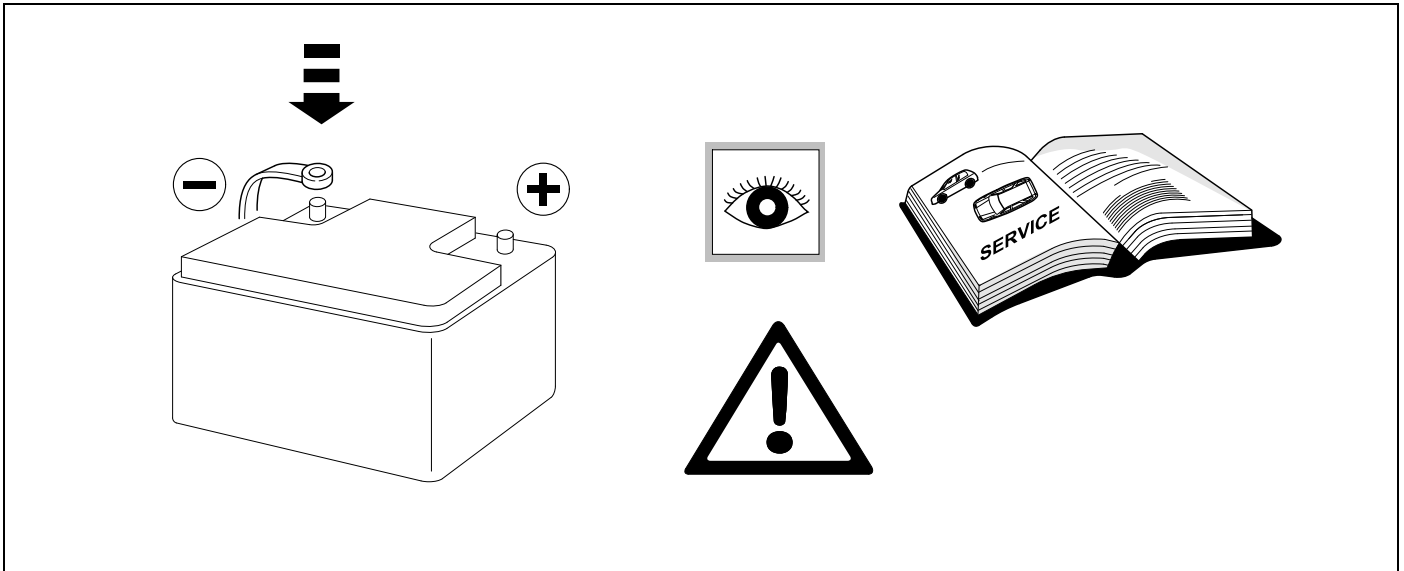
4

5

6

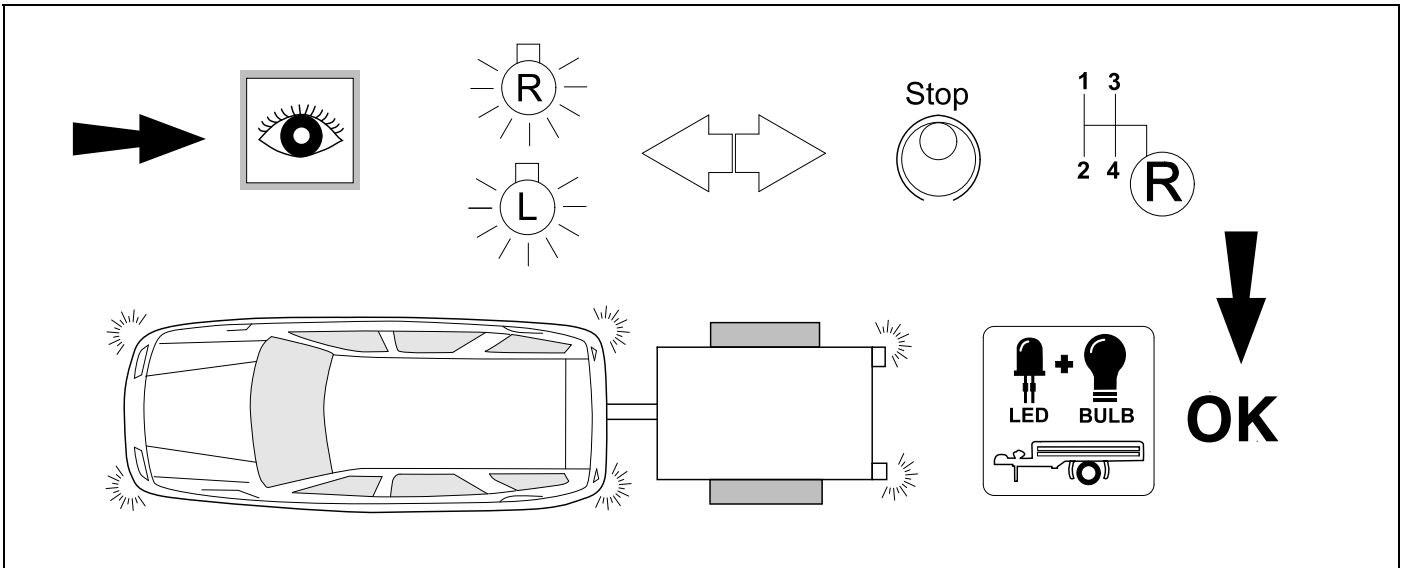


14

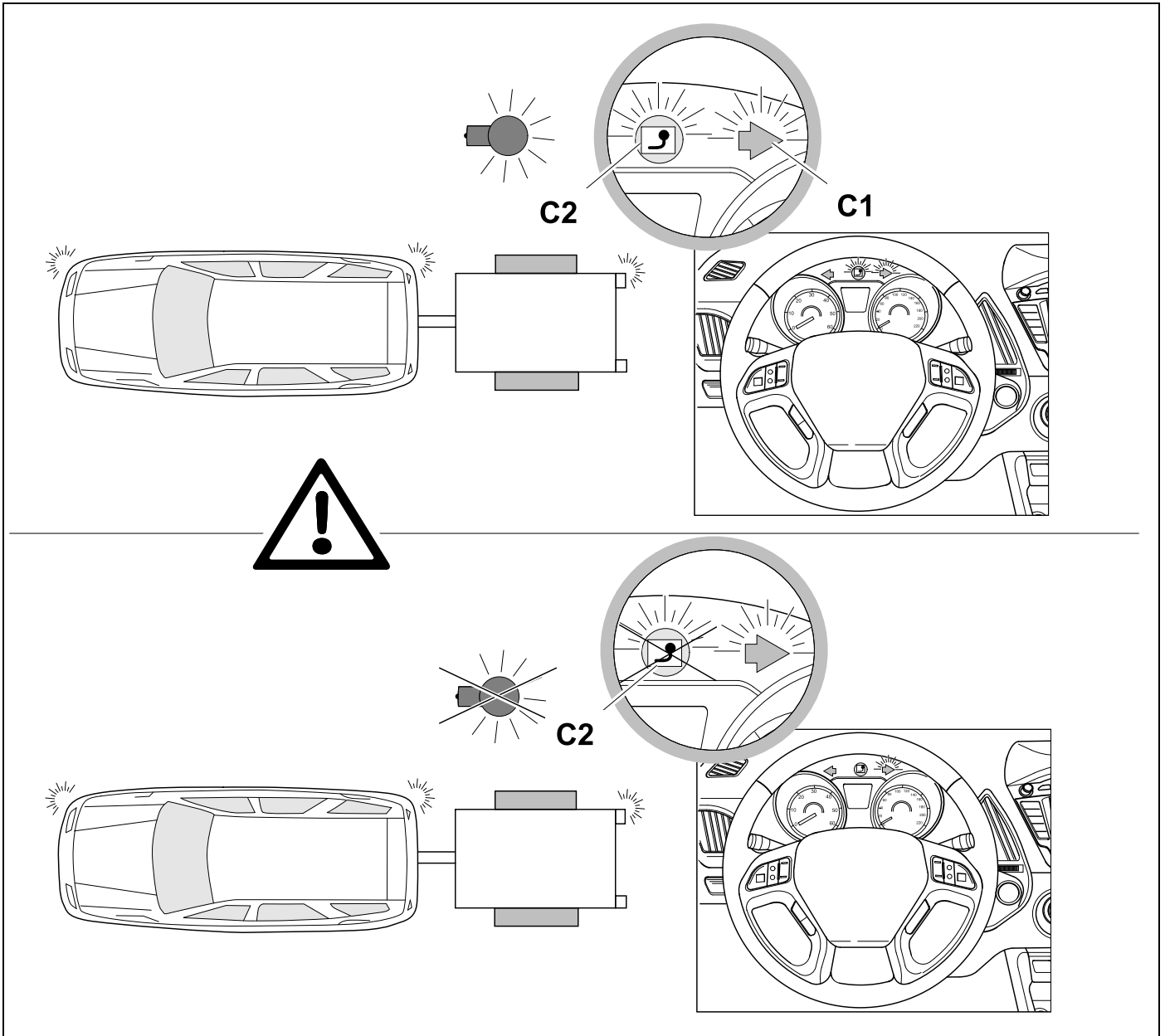


15

### CHECK ALL LIGHTING FUNCTIONS



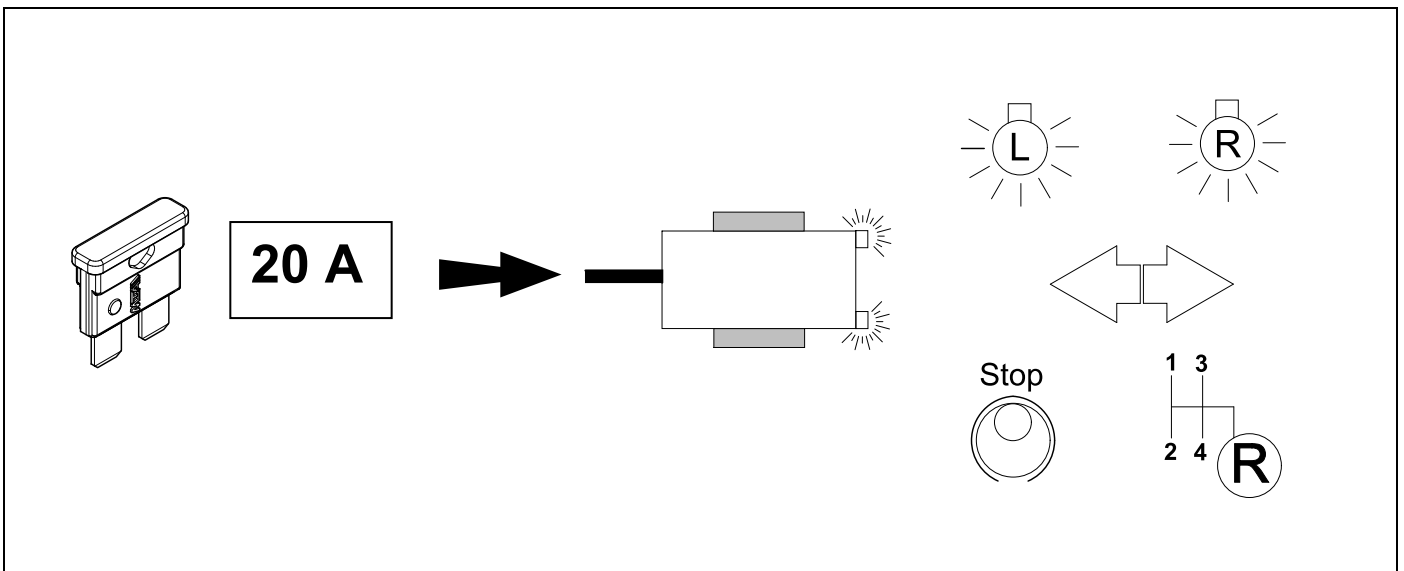
# 16 CHECK



# 17 INFORMATION

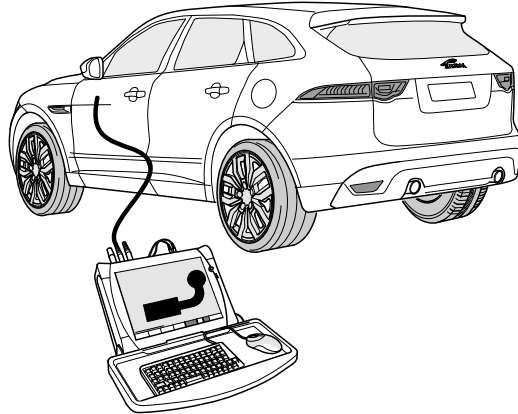


12



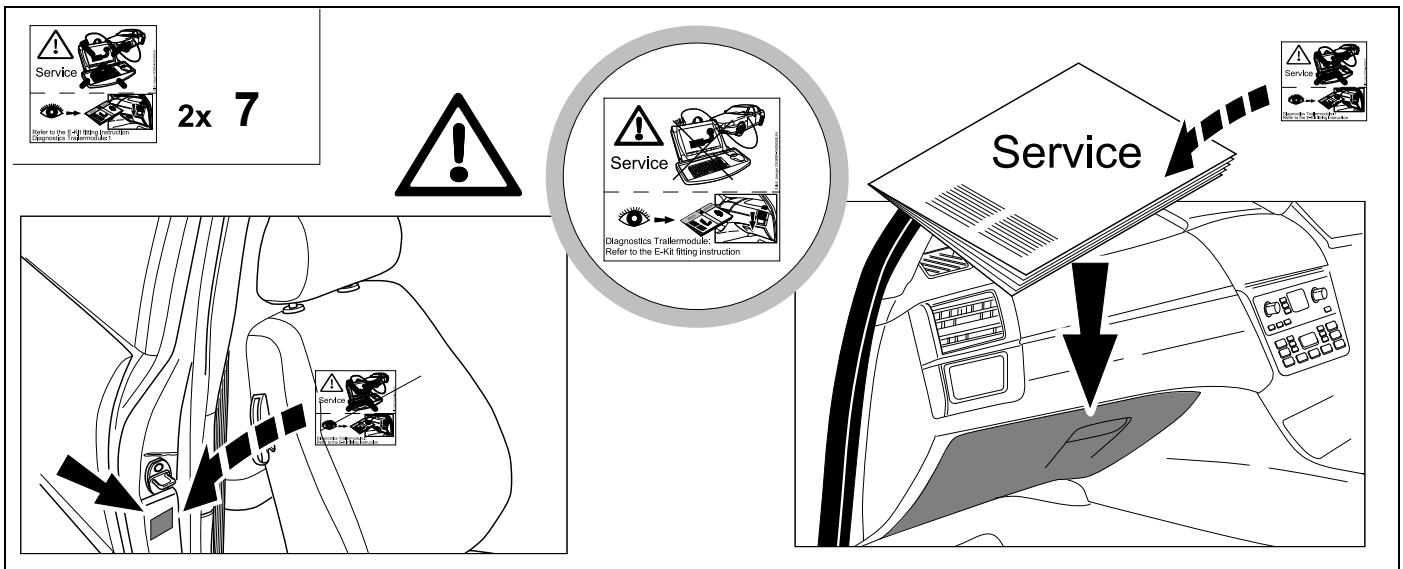
# JAGUAR Service tester SDD

Use only the latest version of SDD software!



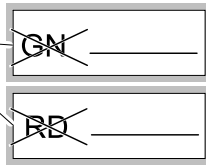
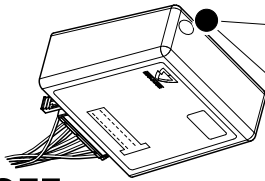
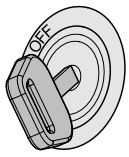
1. Start SDD
2. Select vehicle
3. Service functions
4. Recommendation
5. Run "Add/remove accessories - Tow-Bar"

19



# 20 Status LED for self-diagnosis

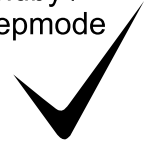
## Operation support



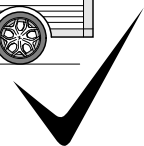
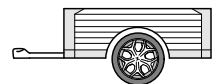
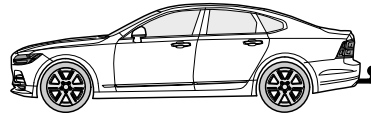
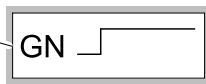
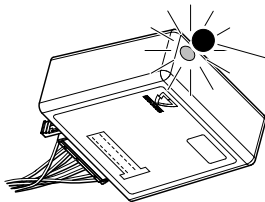
No CAN-Data =



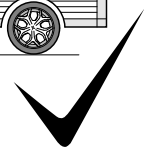
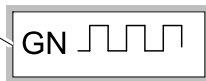
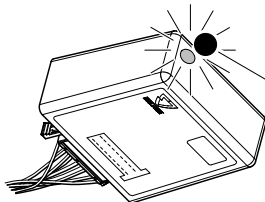
Standby / Sleepmode



Ignition OFF



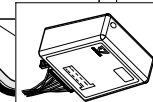
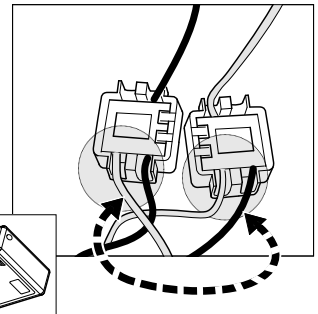
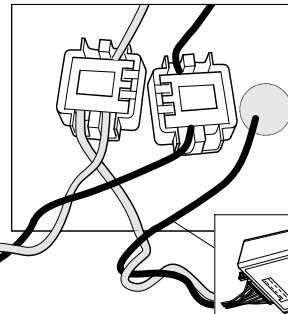
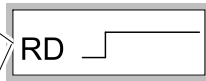
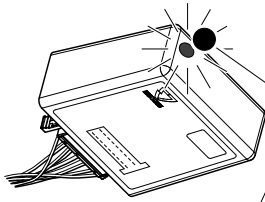
Ignition ON



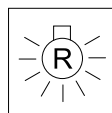
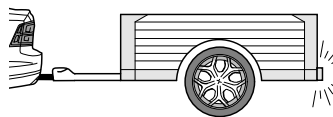
Ignition ON

## Failure support

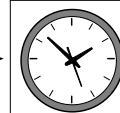
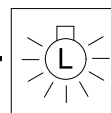
Check CAN-Data Wire



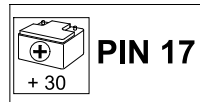
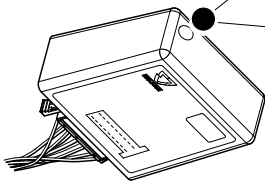
Ignition ON



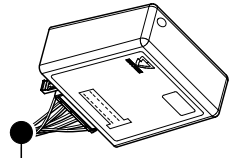
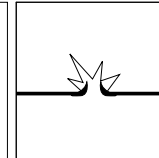
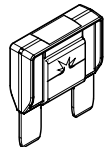
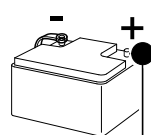
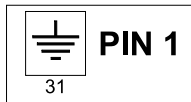
+



1x max 5 min.



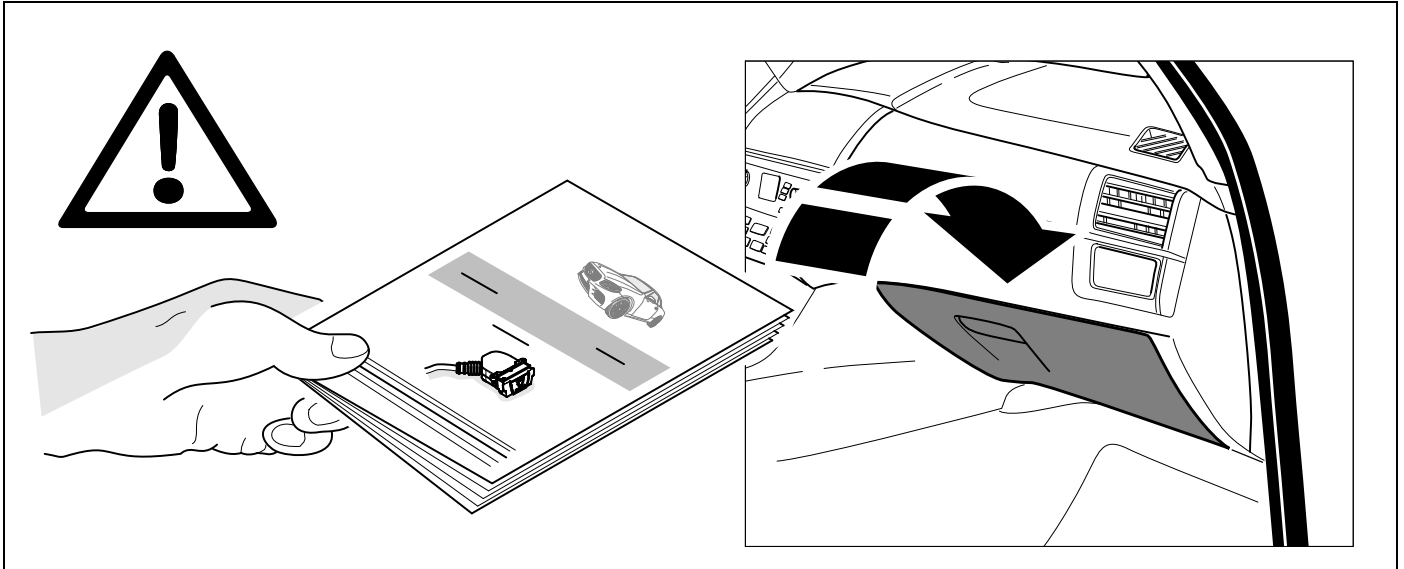
oder / or



Ignition ON







Subject to change in terms of construction, equipment and colour, and may contain errors.

The information and illustrations are non-binding.