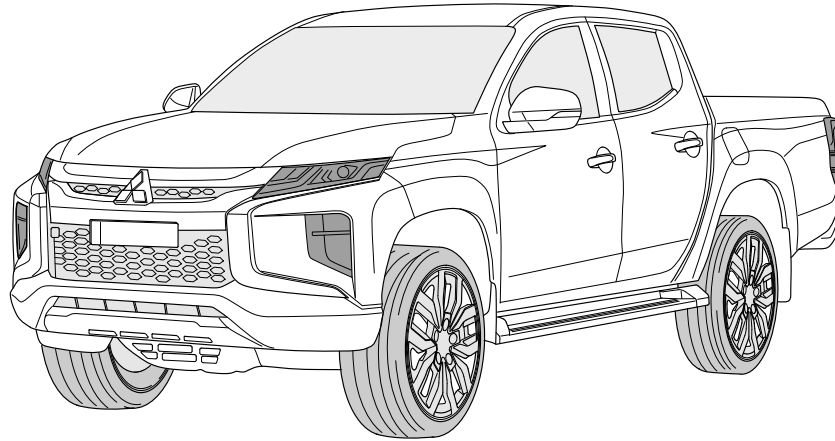




ERICH JAEGER

# Installation instructions

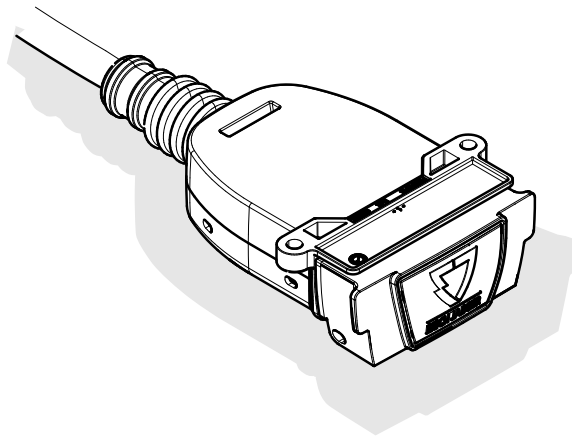


## 750110EJ

**Mitsubishi Triton** **01/19 >>**



SCAN FOR  
LATEST  
INSTRUCTIONS



 <p>LED + BULB</p> 	<p>BRAKE CONTROLLER PREPARED</p>  	<p>WATERPROOF SOCKET INCLUDED</p>  <p>WEATHERLOCK™</p>	<p>MADE TOUGH WITH FIBERCORE™ TECHNOLOGY</p> 
---	--	---	--

### Reference:

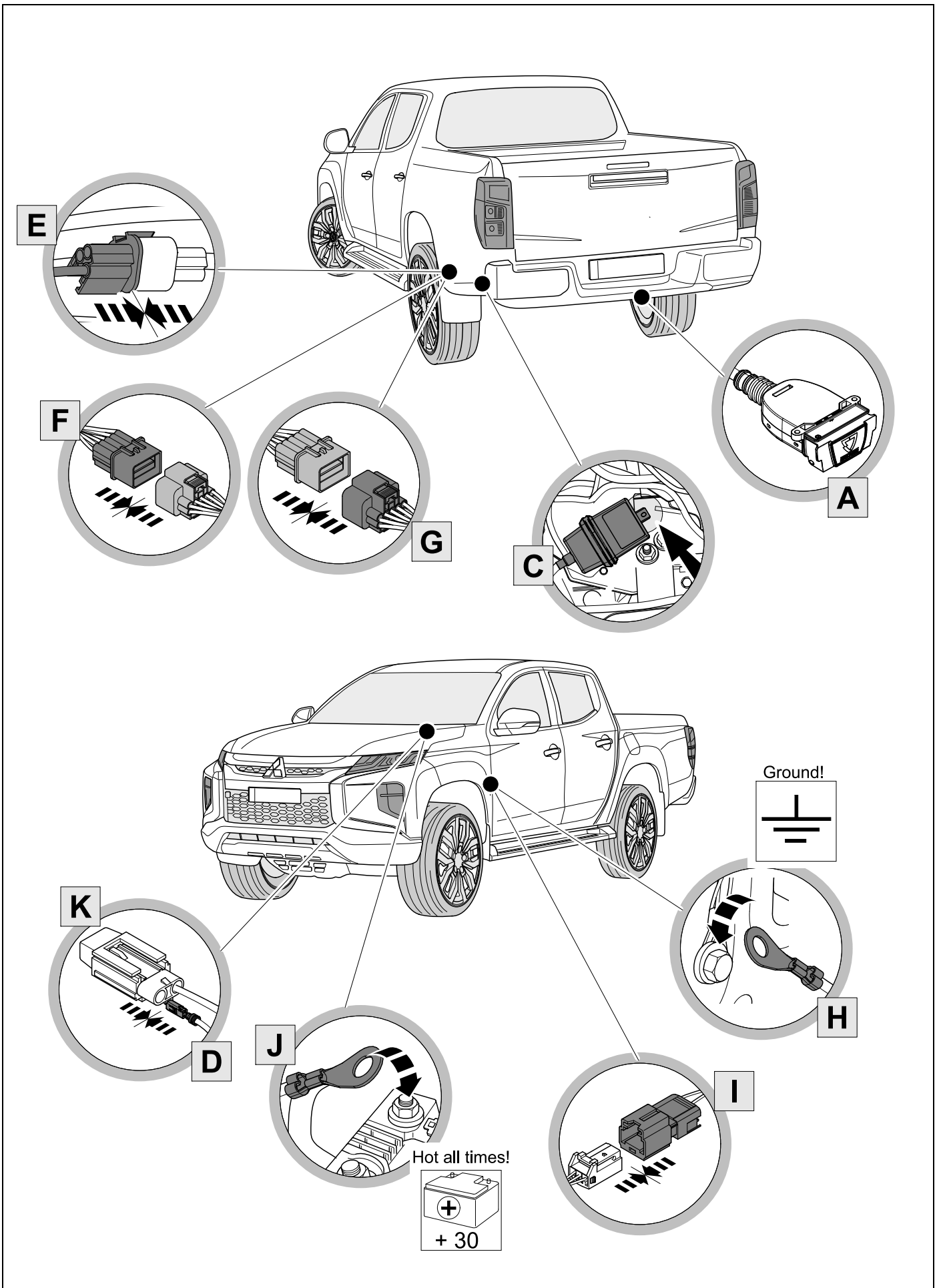
The following information must be reviewed before beginning the assembly:

The installation instructions are to be thoroughly read.

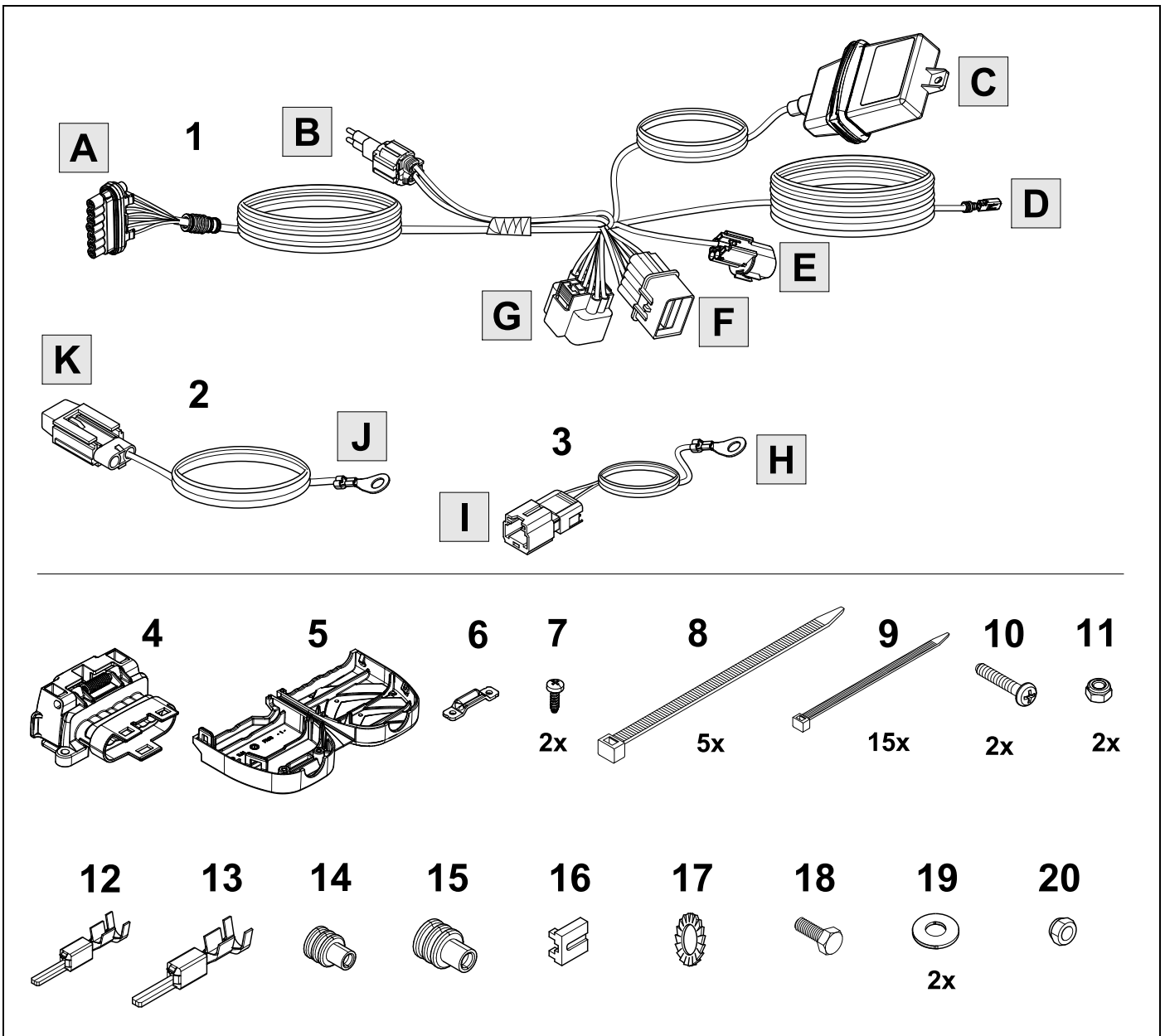
The installation should be carried out by qualified personnel with the relevant technical knowledge. The vehicle manufacturers' current technical notices and information on retrofitting must be followed. The removal and replacement instructions found in the current repair manuals must be followed.

It must be ensured that the vehicle is technically suitable for the installation of a trailer hitch.

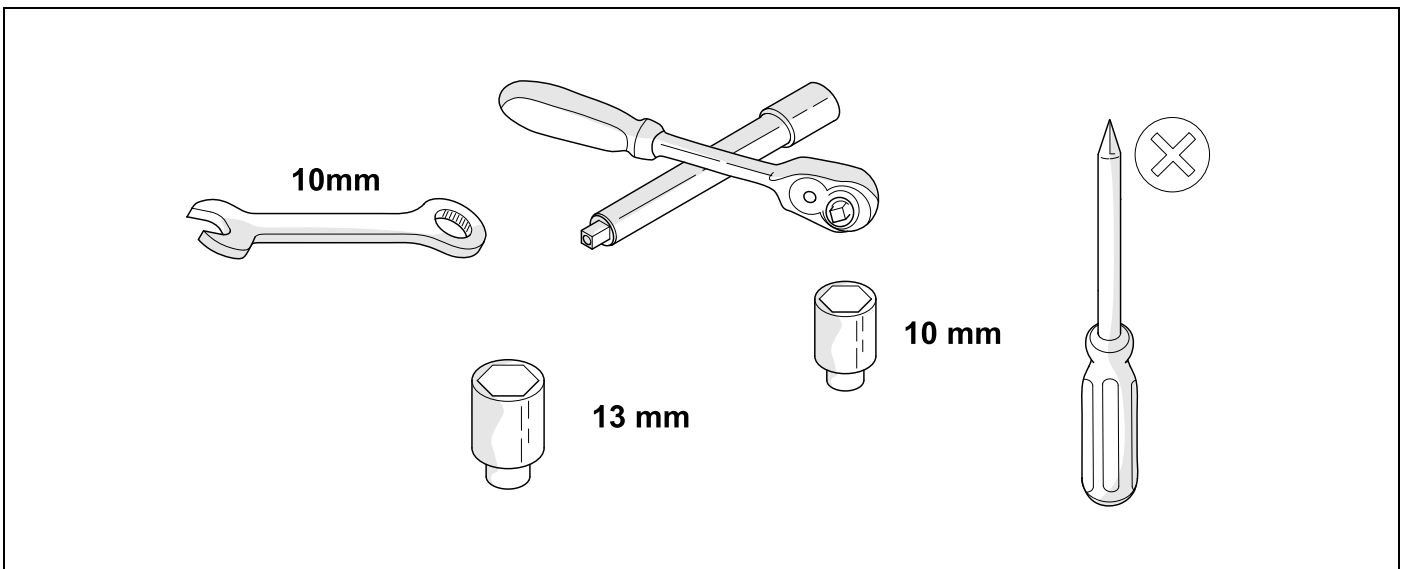
# OVERVIEW



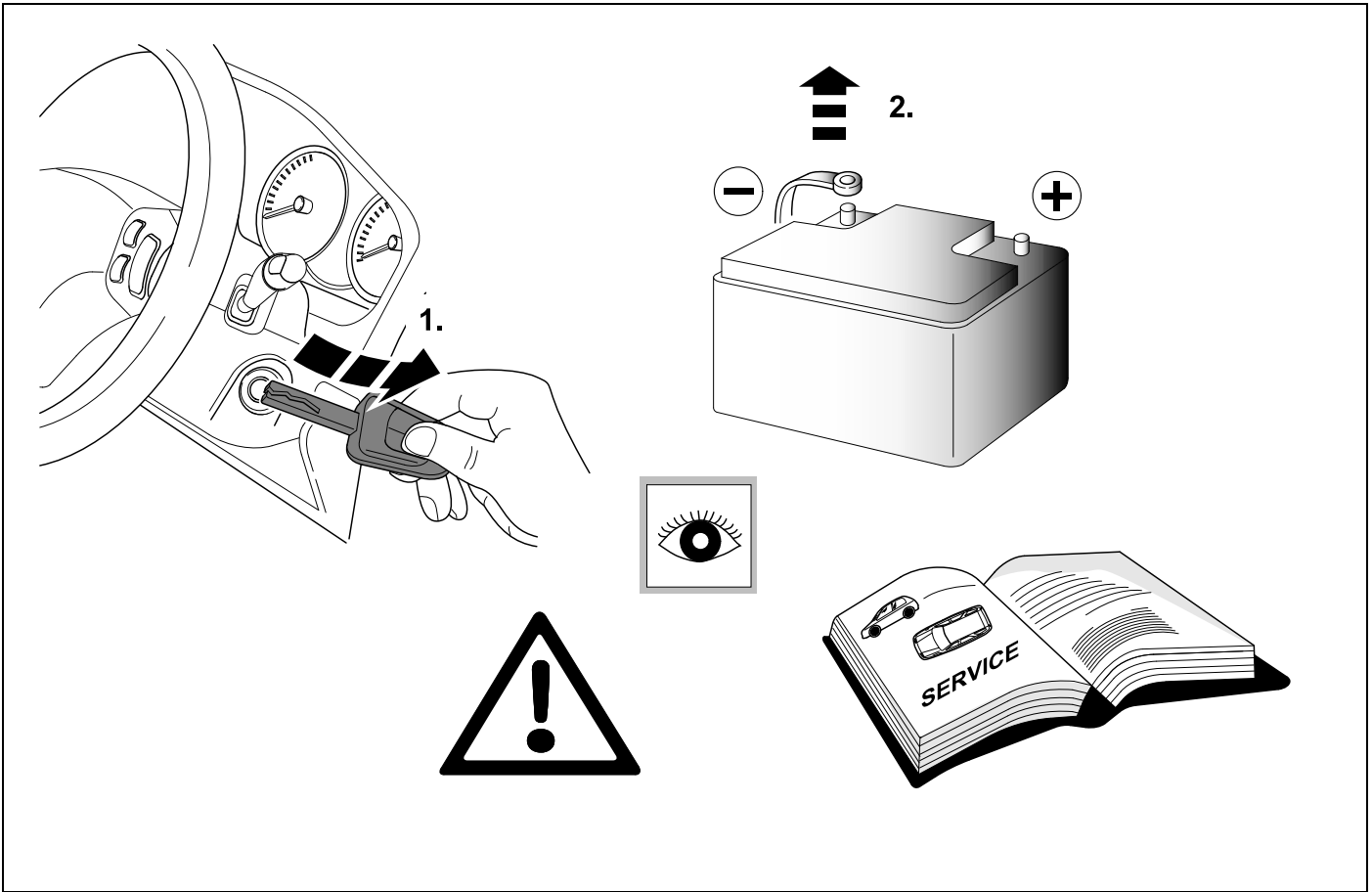
# KIT



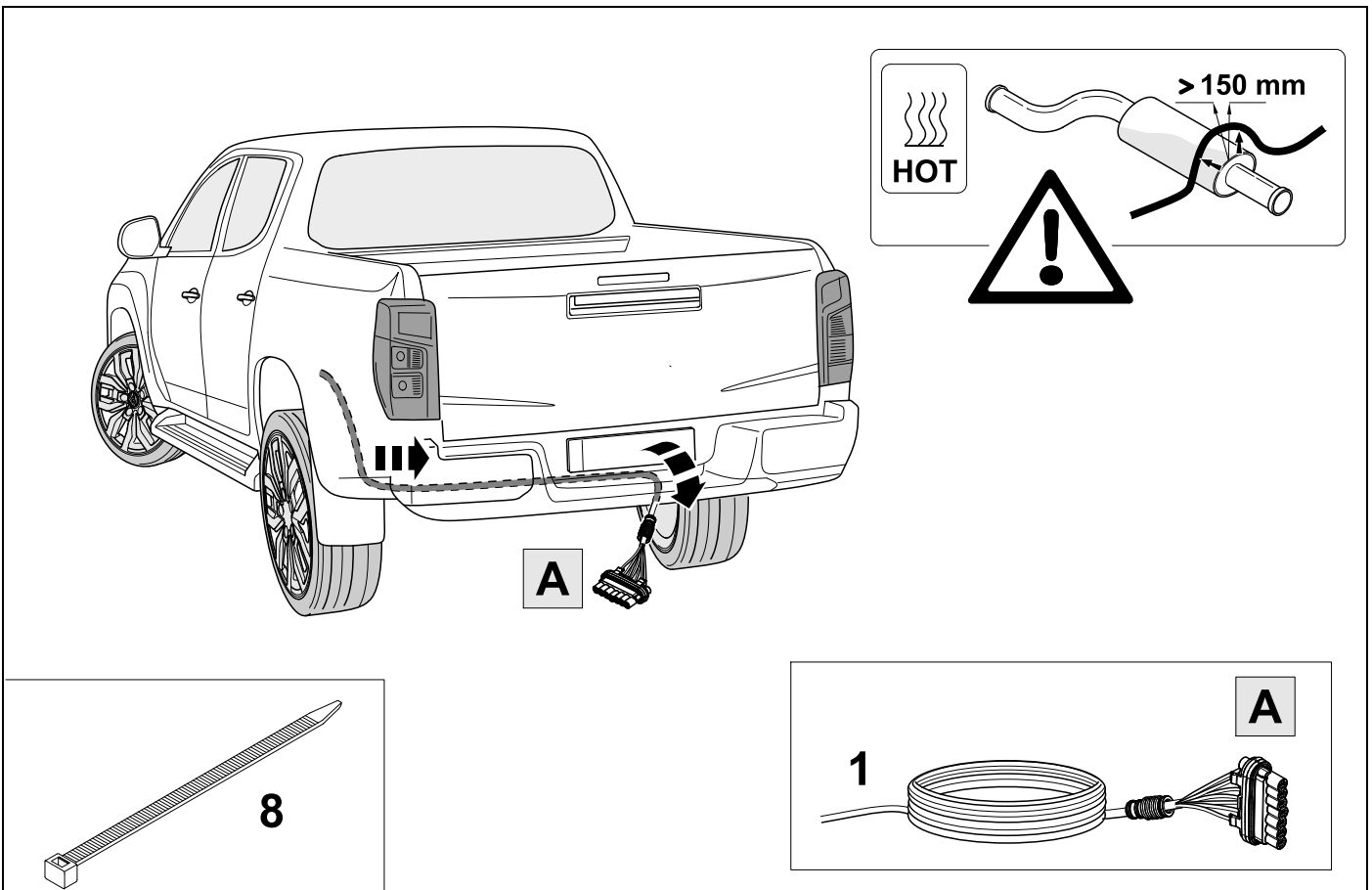
# TOOLS



1



2

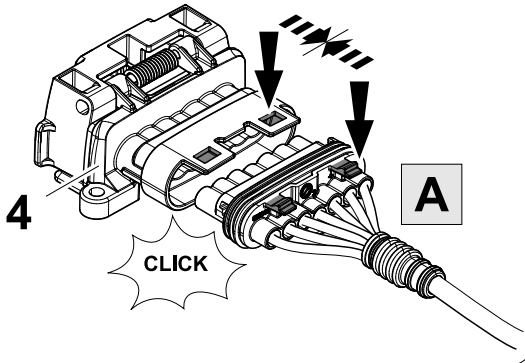


3

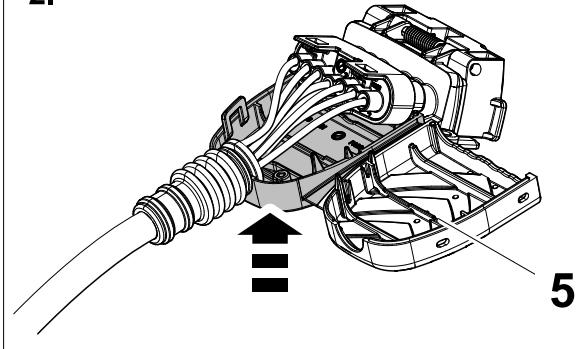


5

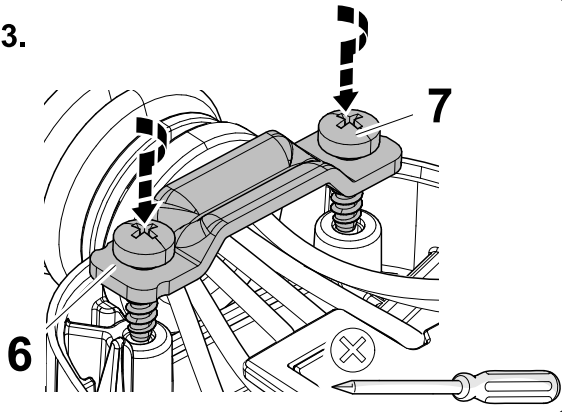
1.



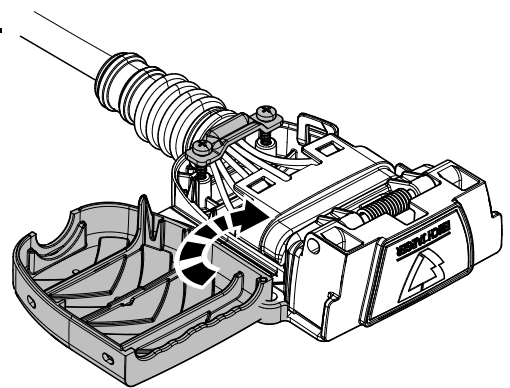
2.



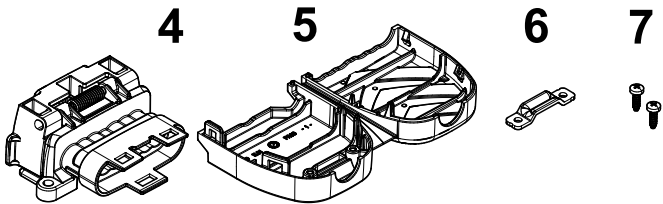
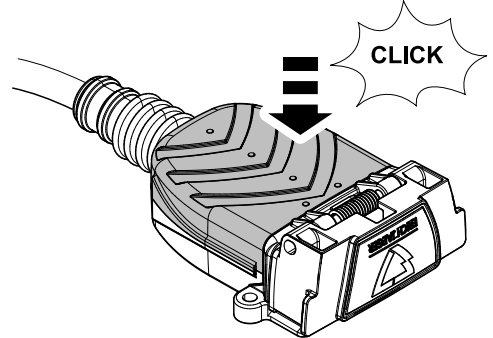
3.



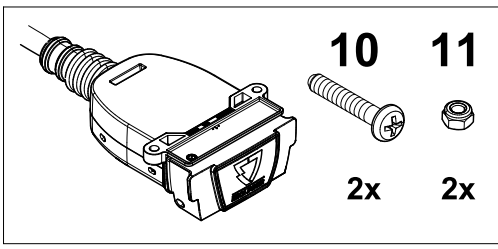
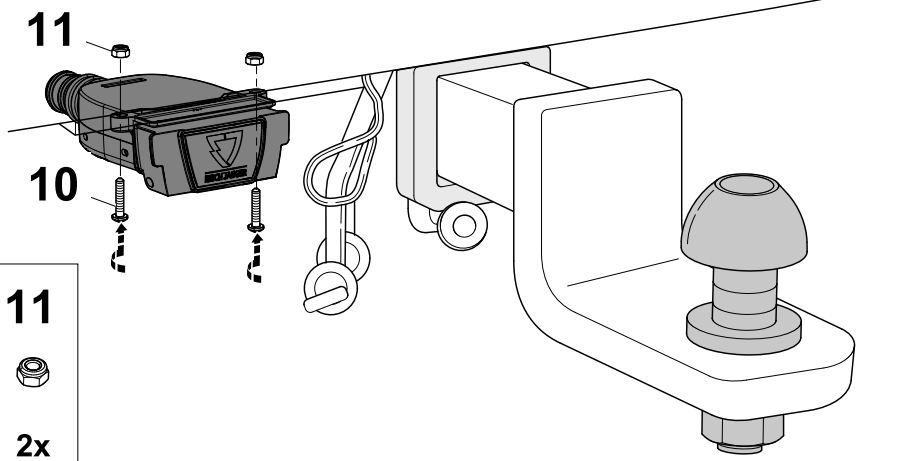
4.



5.



4



5



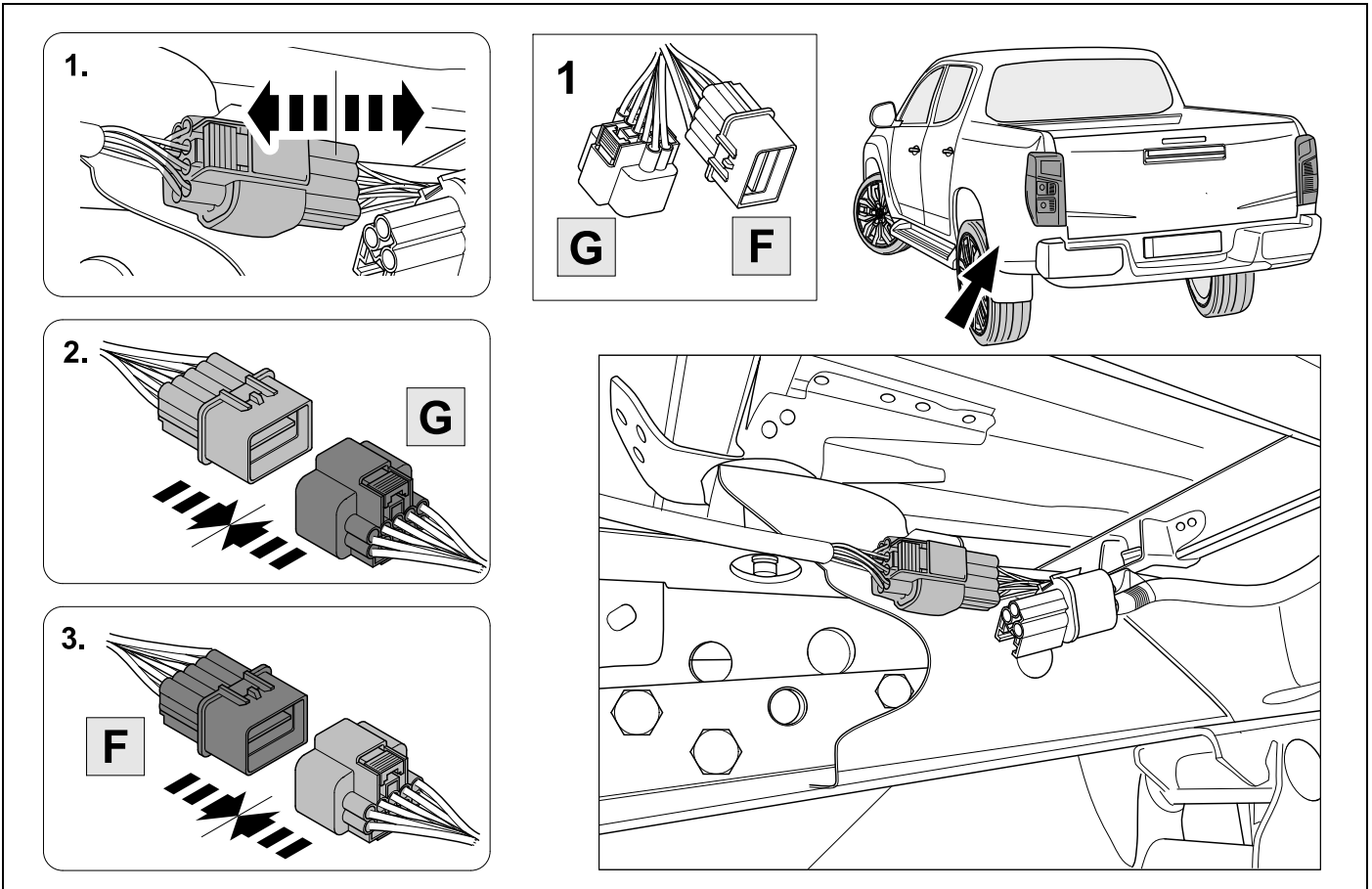
6

1	ye	
2	bk	
3	wh	
4	gn	
5	bu	
6	rd	
7	bn	

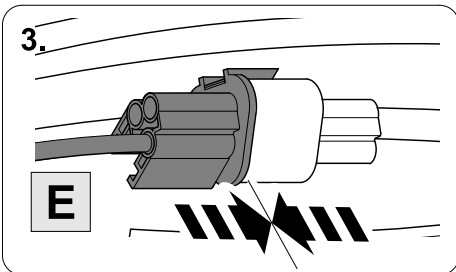
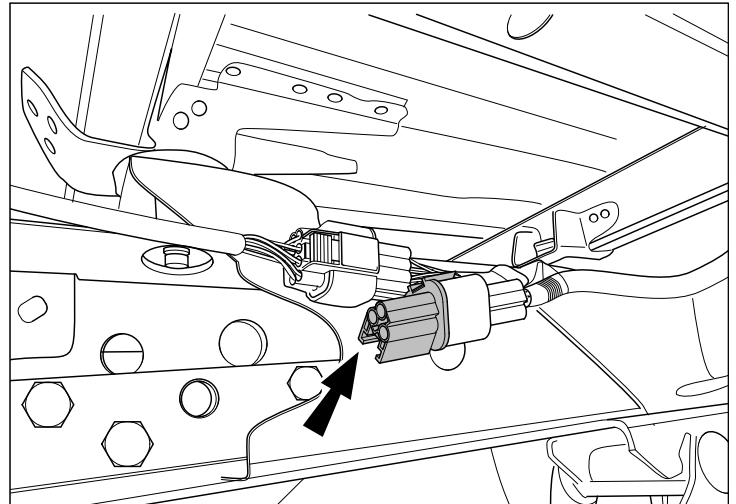
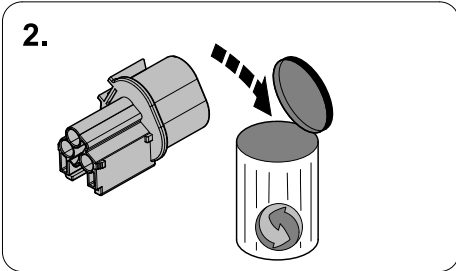
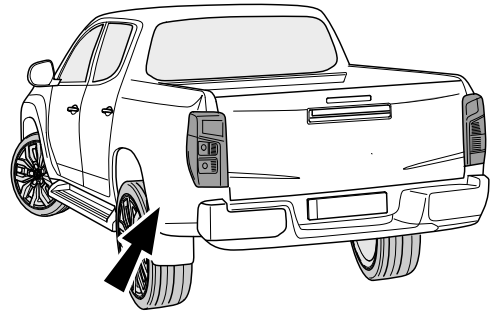
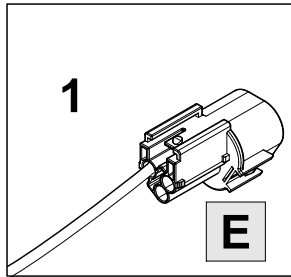
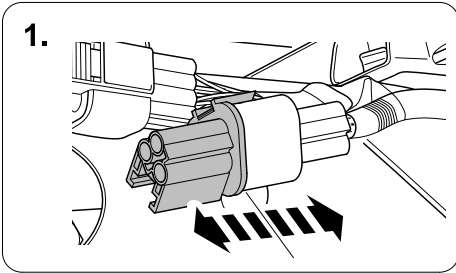
6	bk	wh	gy	gn	rd	bu	ye	bn	pu	or	no
---	----	----	----	----	----	----	----	----	----	----	----

	black	white	grey	green	red	blue	yellow	brown	purple	orange	not occupied
--	-------	-------	------	-------	-----	------	--------	-------	--------	--------	--------------

7



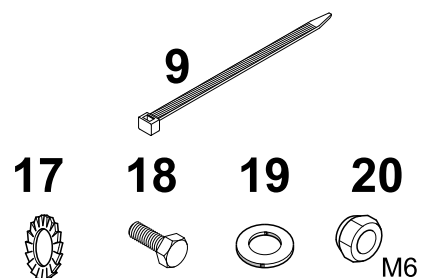
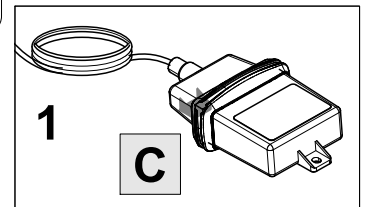
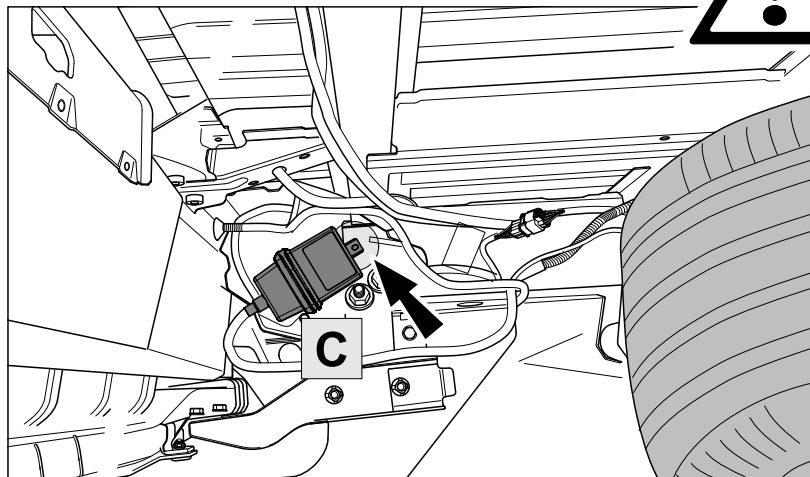
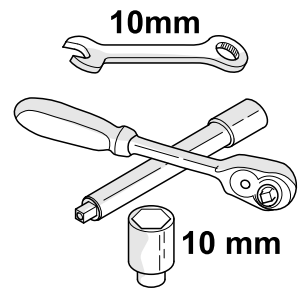
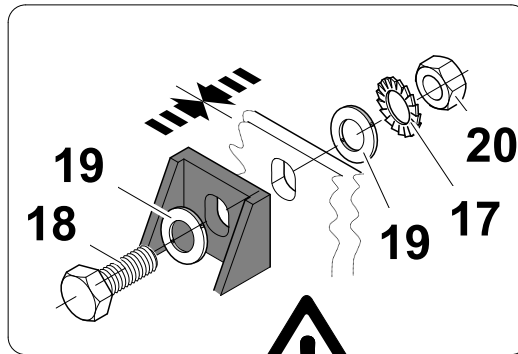
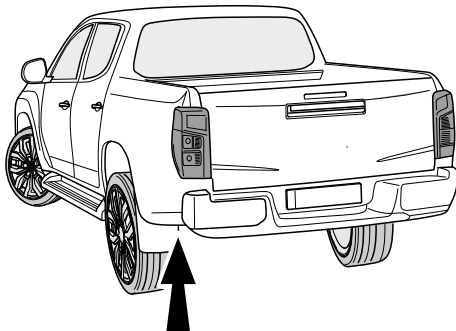
8

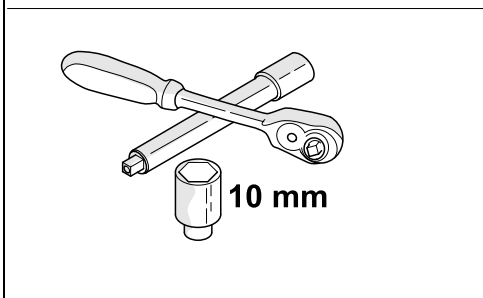
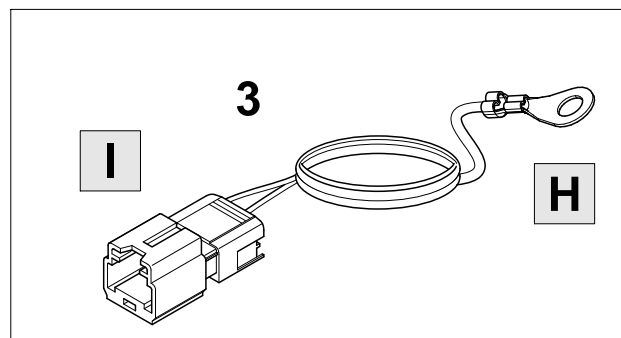
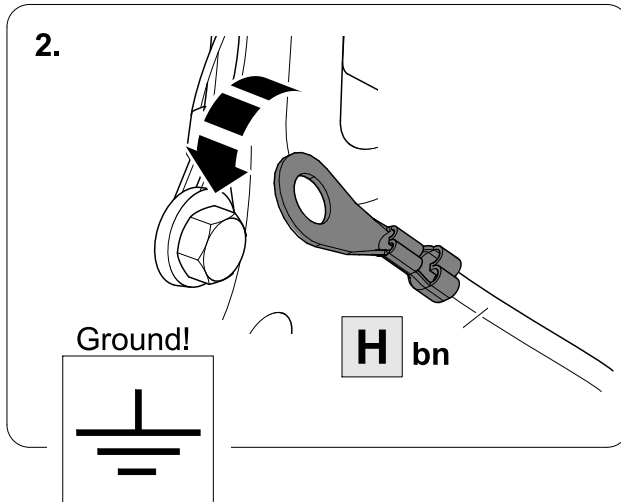
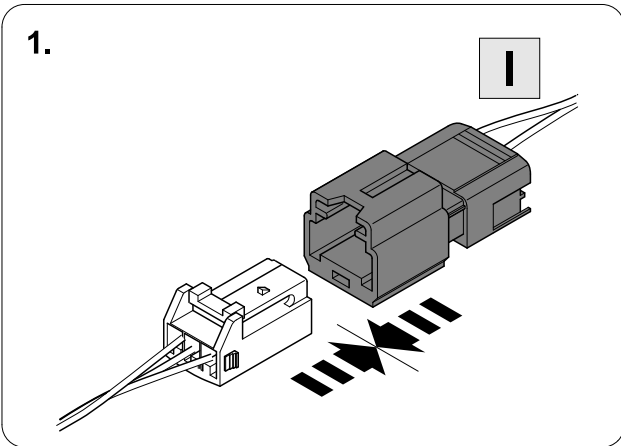
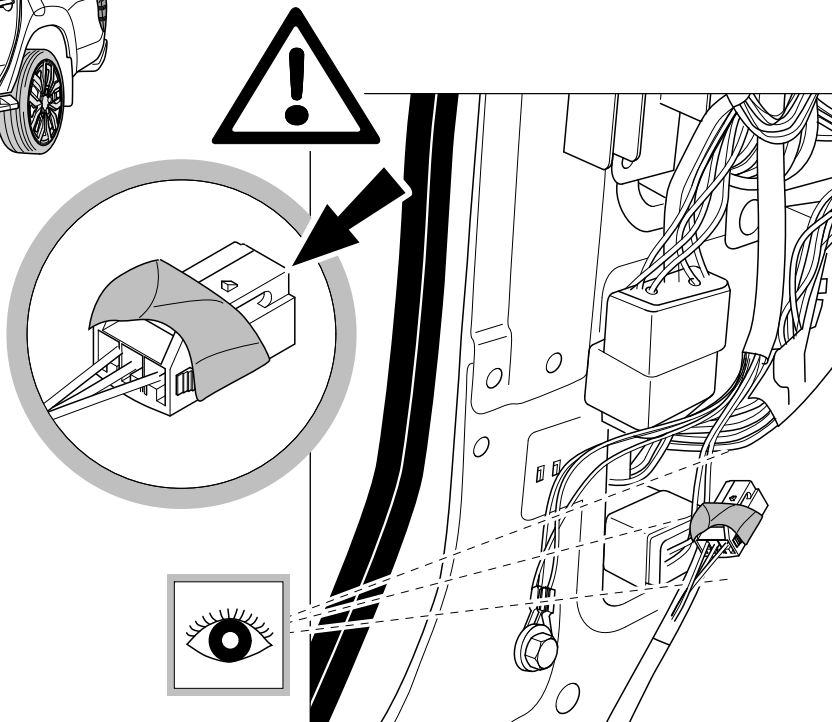
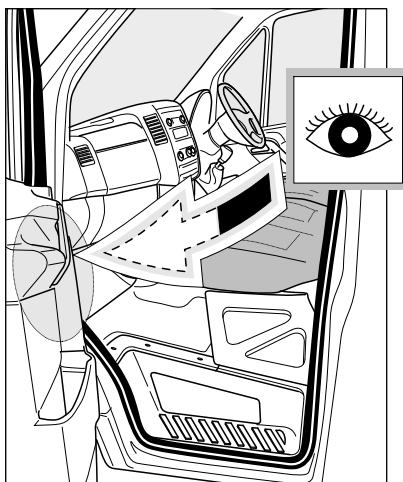
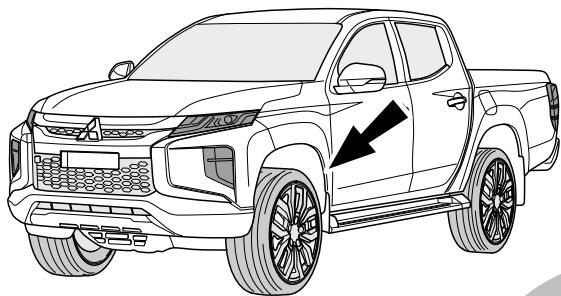


9

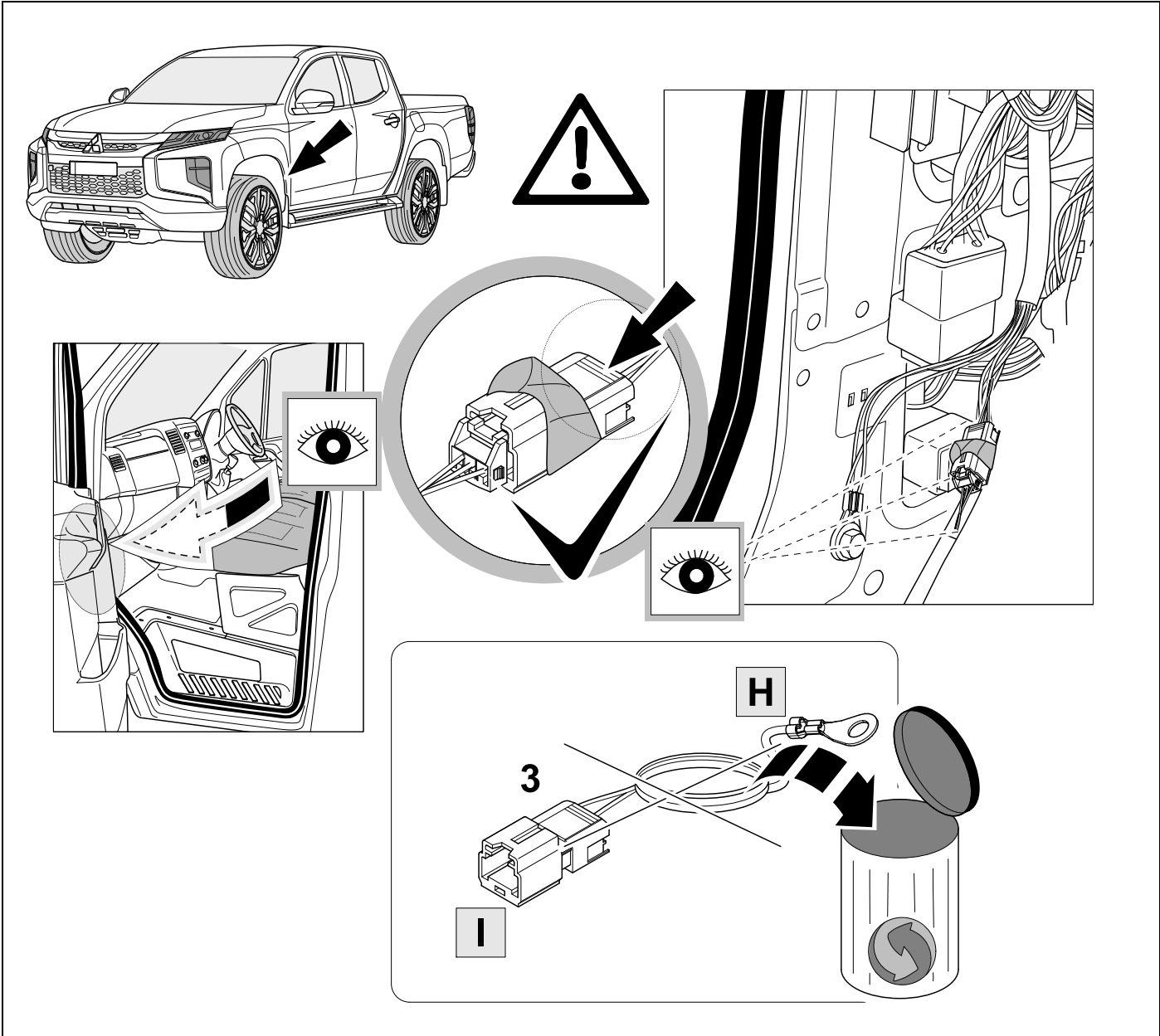


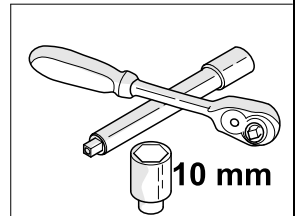
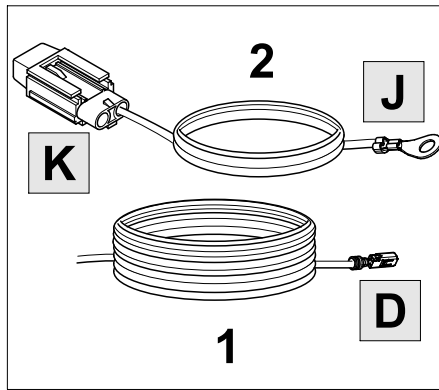
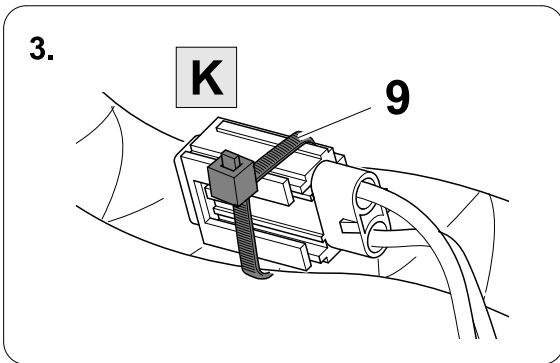
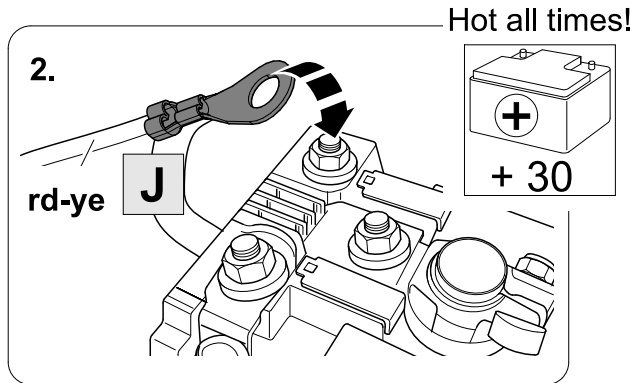
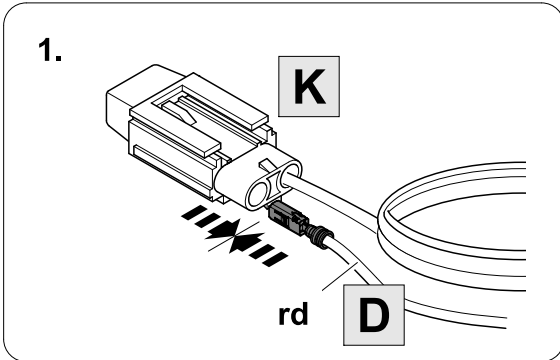
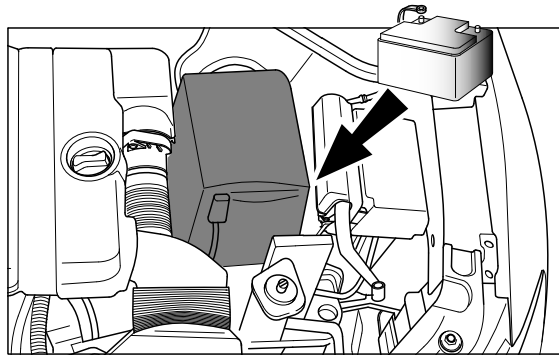
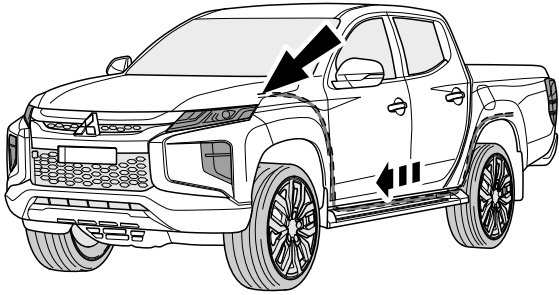
Module to be fitted out of the way on the chassis rail so that it is not submersed in water or exposed to direct dirt blast. Also ensure you use sufficient tie straps to secure the harness close to the module to minimize pulling on the module.





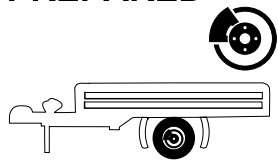






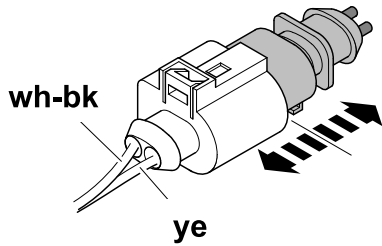


**BRAKE  
CONTROLLER  
PREPARED**

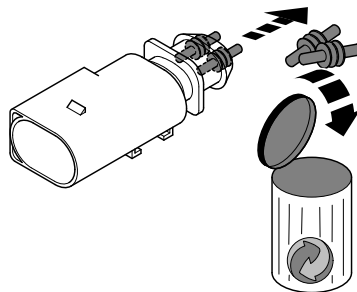


**Trailer Brake Preparation**

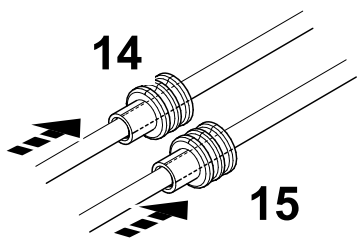
1.



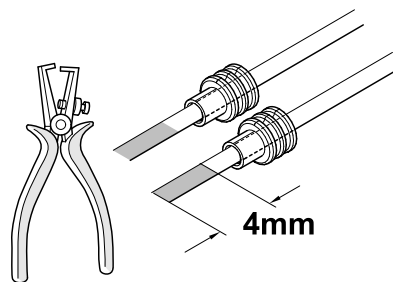
2.



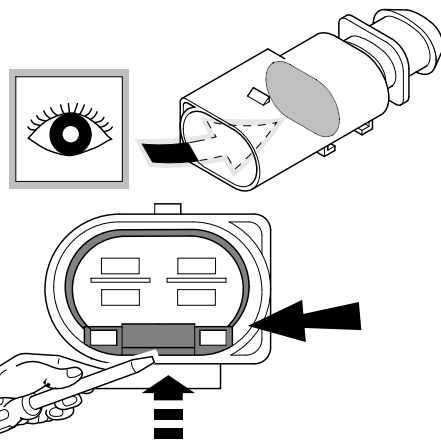
3.



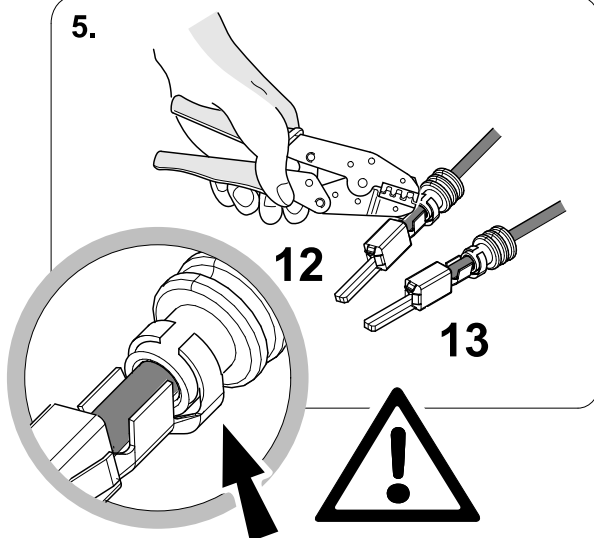
4.



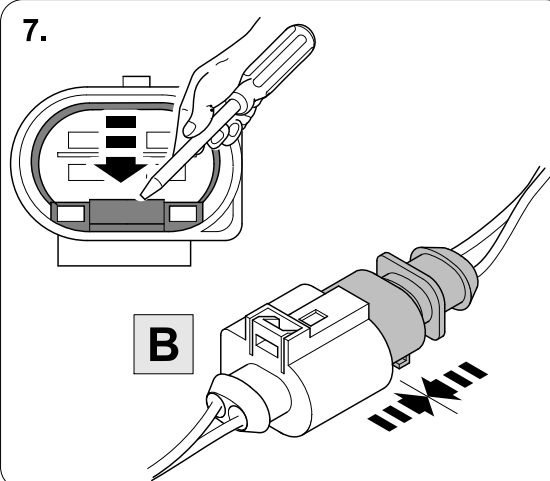
6.



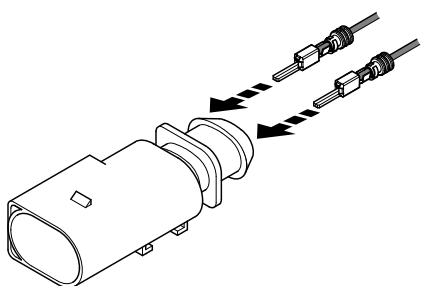
5.



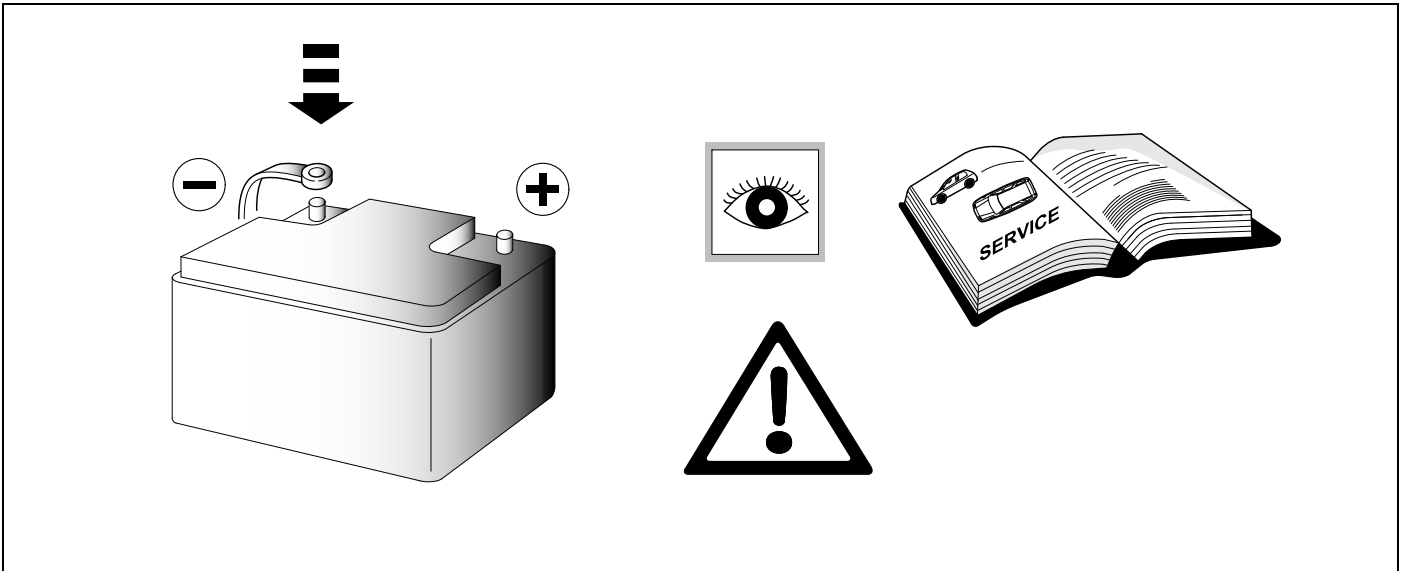
7.



6.

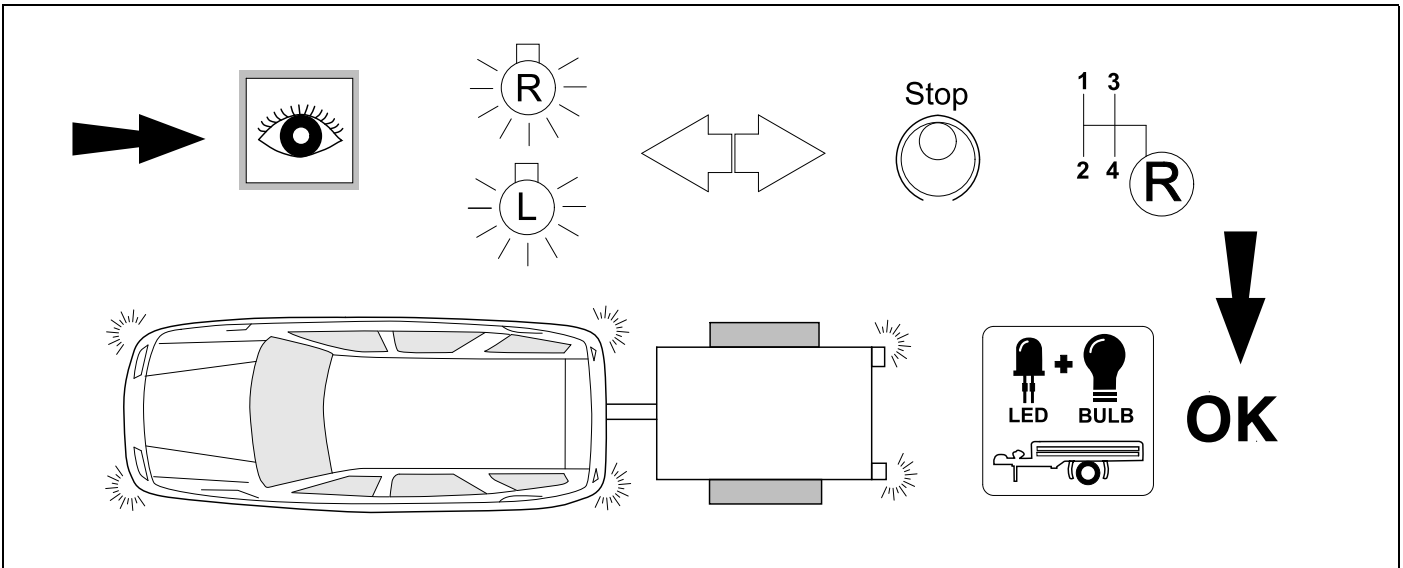


14



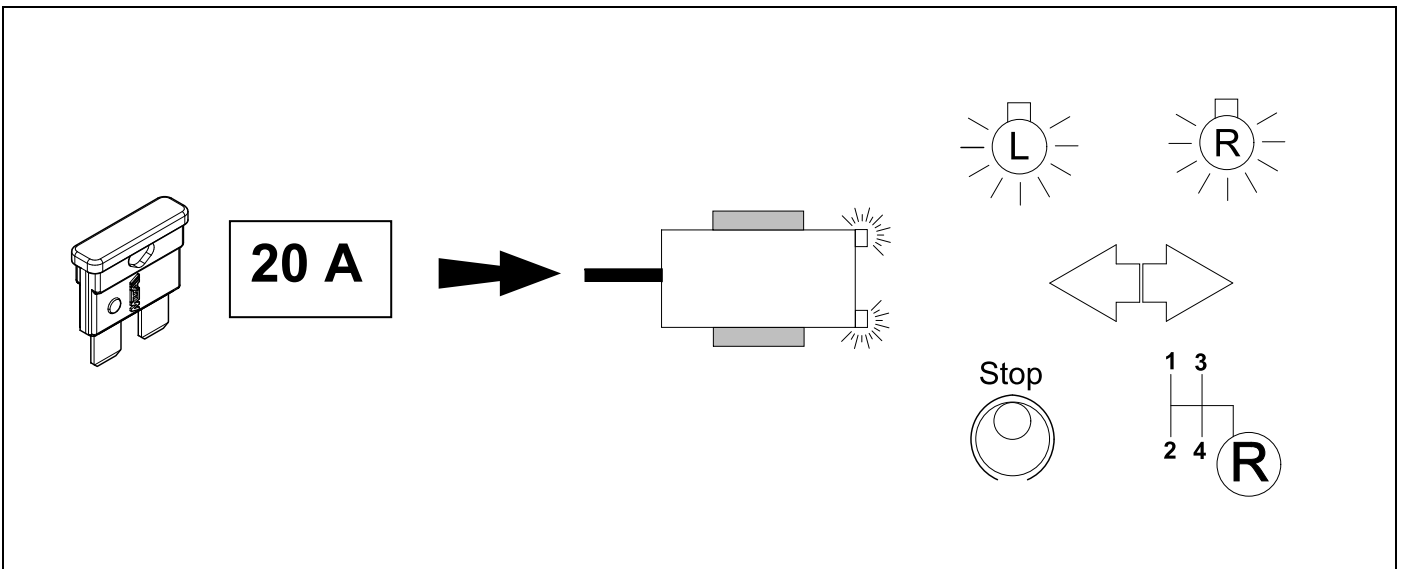
15

### CHECK ALL LIGHTING FUNCTIONS



16

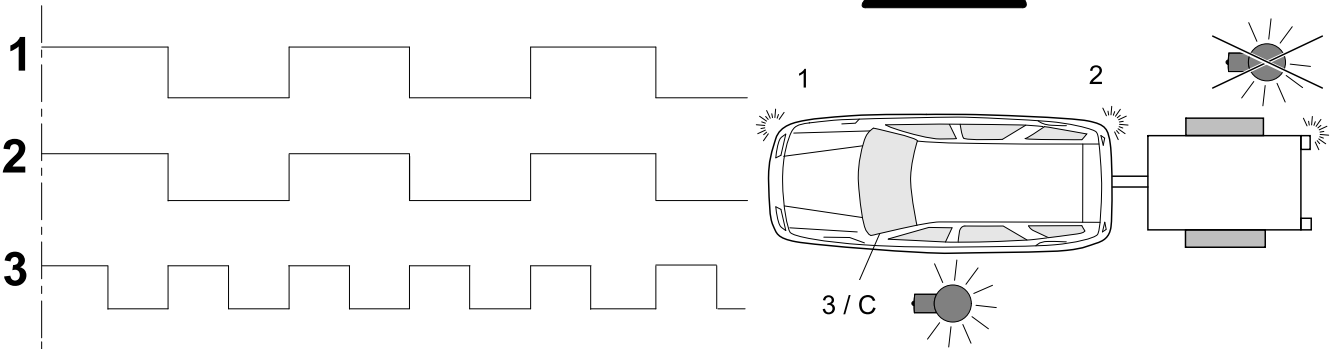
👁️ ⇒ 12



17

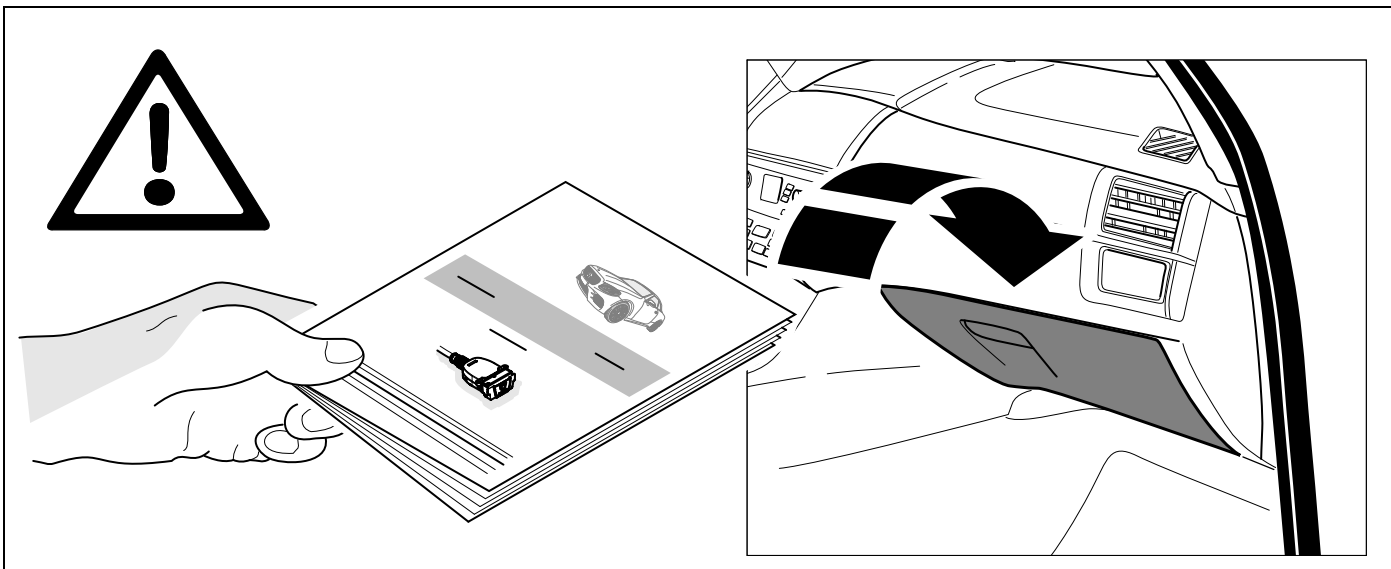
# CHECK BULB OUT DETECTION

BULB OUT CONDITION INDICATED WITH INCREASED INDICATOR FREQUENCY









Subject to change in terms of construction, equipment and colour, and may contain errors.

The information and illustrations are non-binding.