

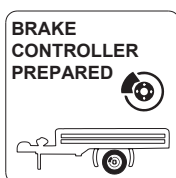
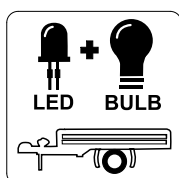
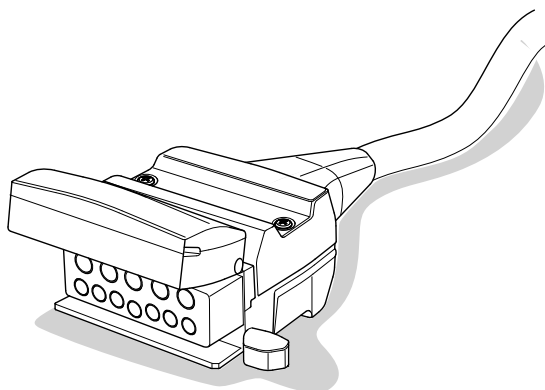
750143EJ

FORD Ranger PX2
FORD Ranger PX3

08/15-09/18
10/18- 04/22



SCAN FOR
LATEST
INSTRUCTIONS



Reference:

The following information must be reviewed before beginning the assembly:

The installation instructions are to be thoroughly read.

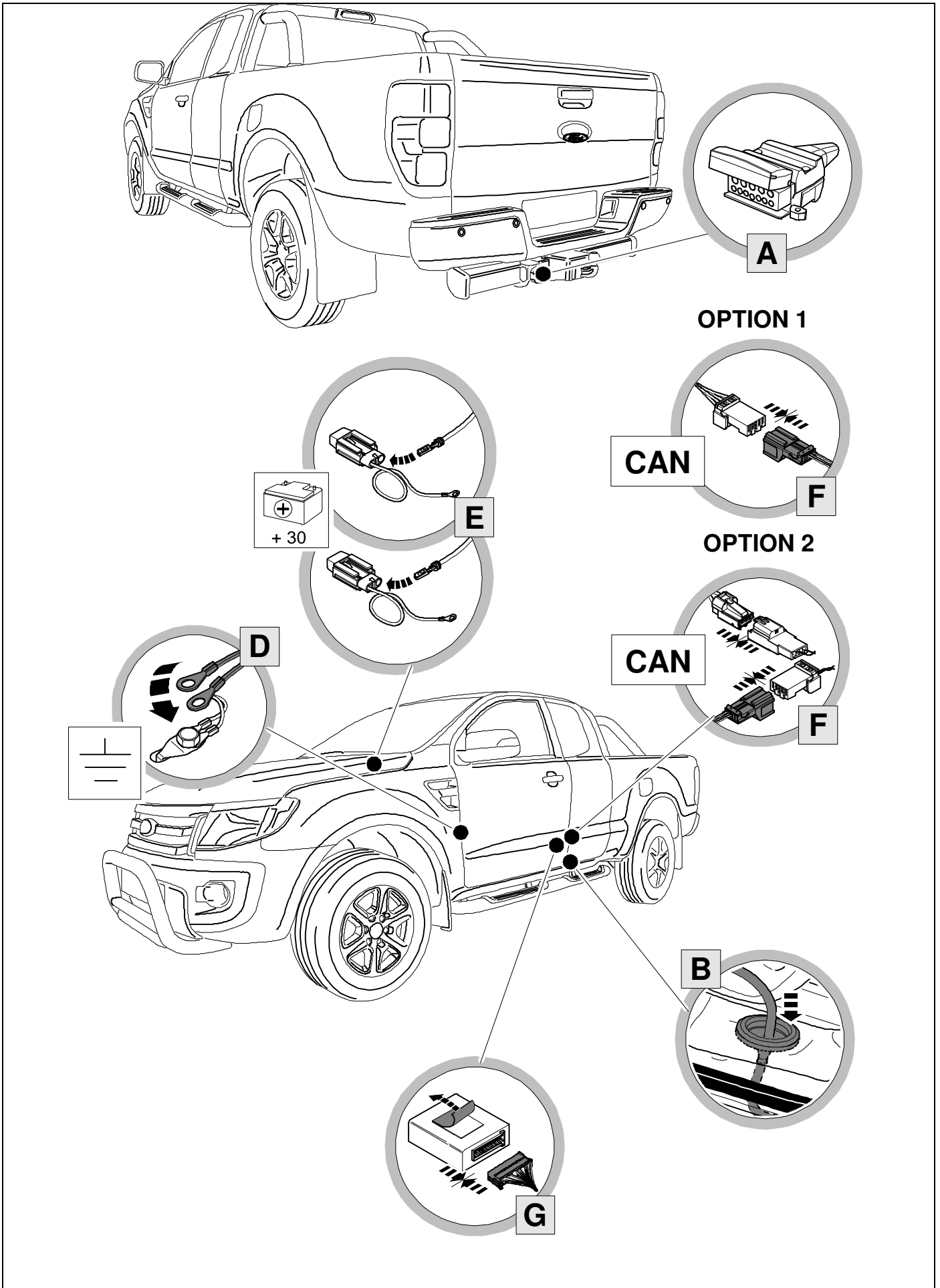
The installation should be carried out by qualified personnel with the relevant technical knowledge.

The vehicle manufacturers' current technical notices and information on retrofitting must be followed.

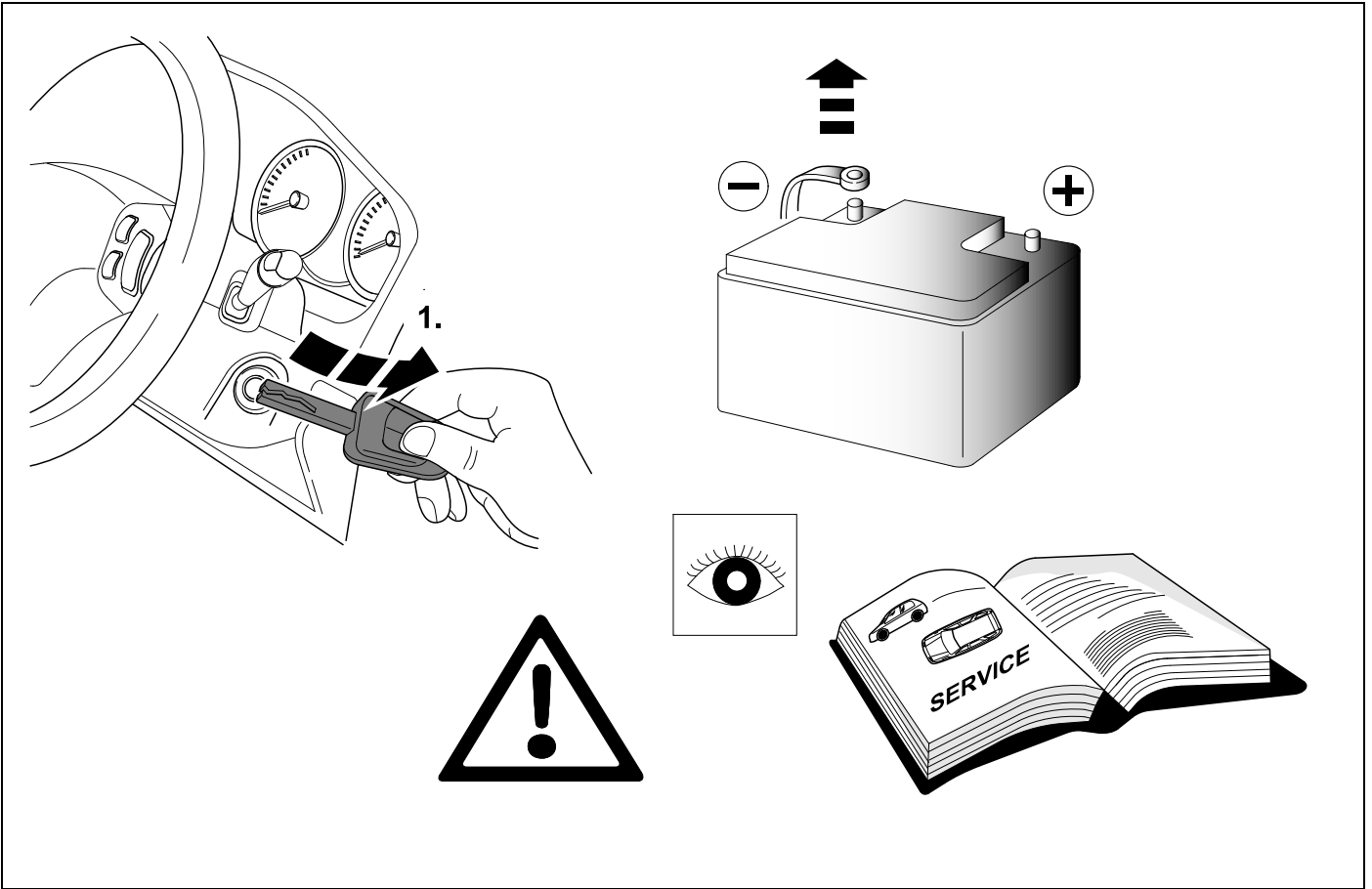
The removal and replacement instructions found in the current repair manuals must be followed.

It must be ensured that the vehicle is technically suitable for the installation of a trailer hitch.

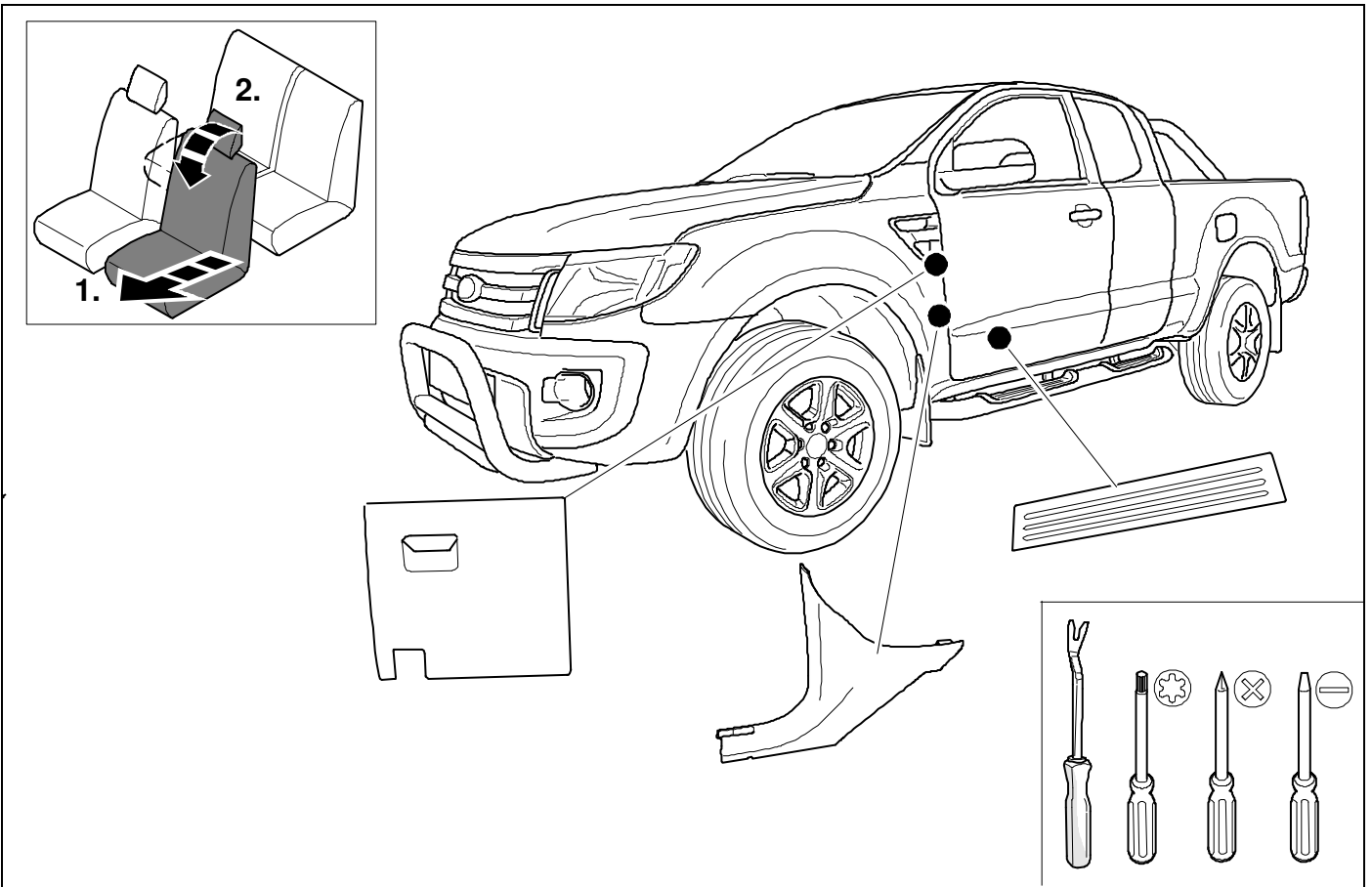
OVERVIEW



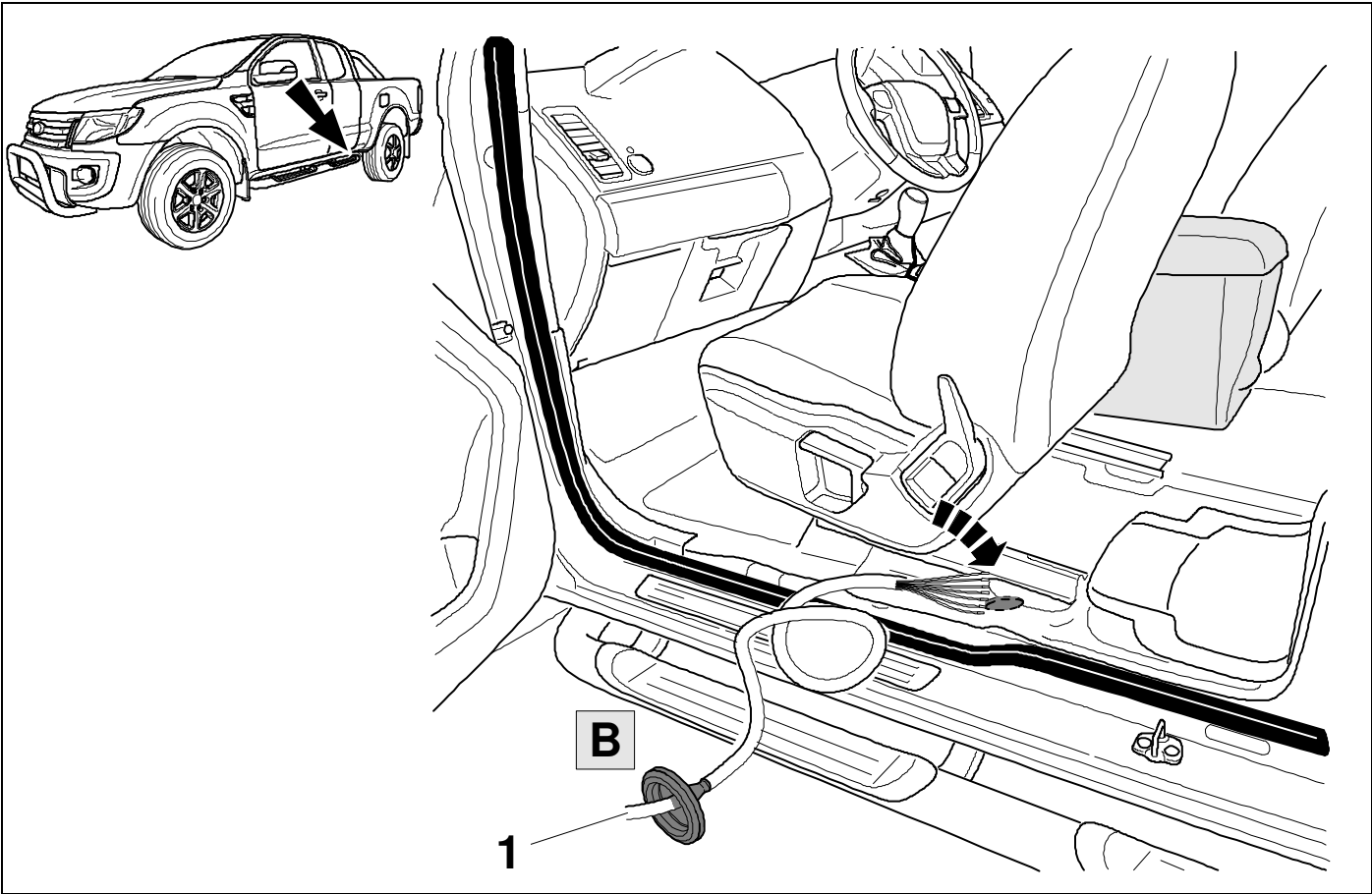
1



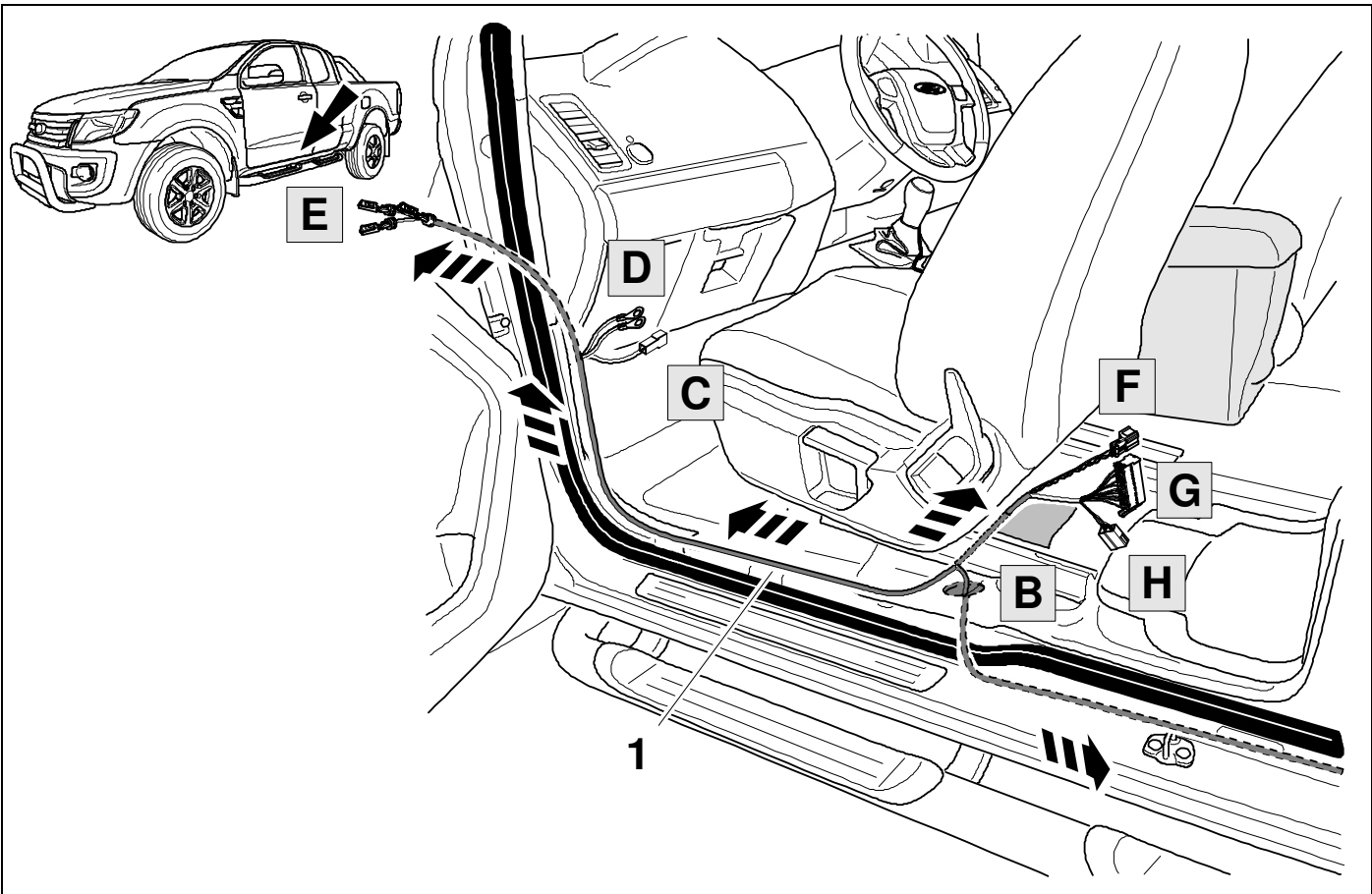
2 REMOVE



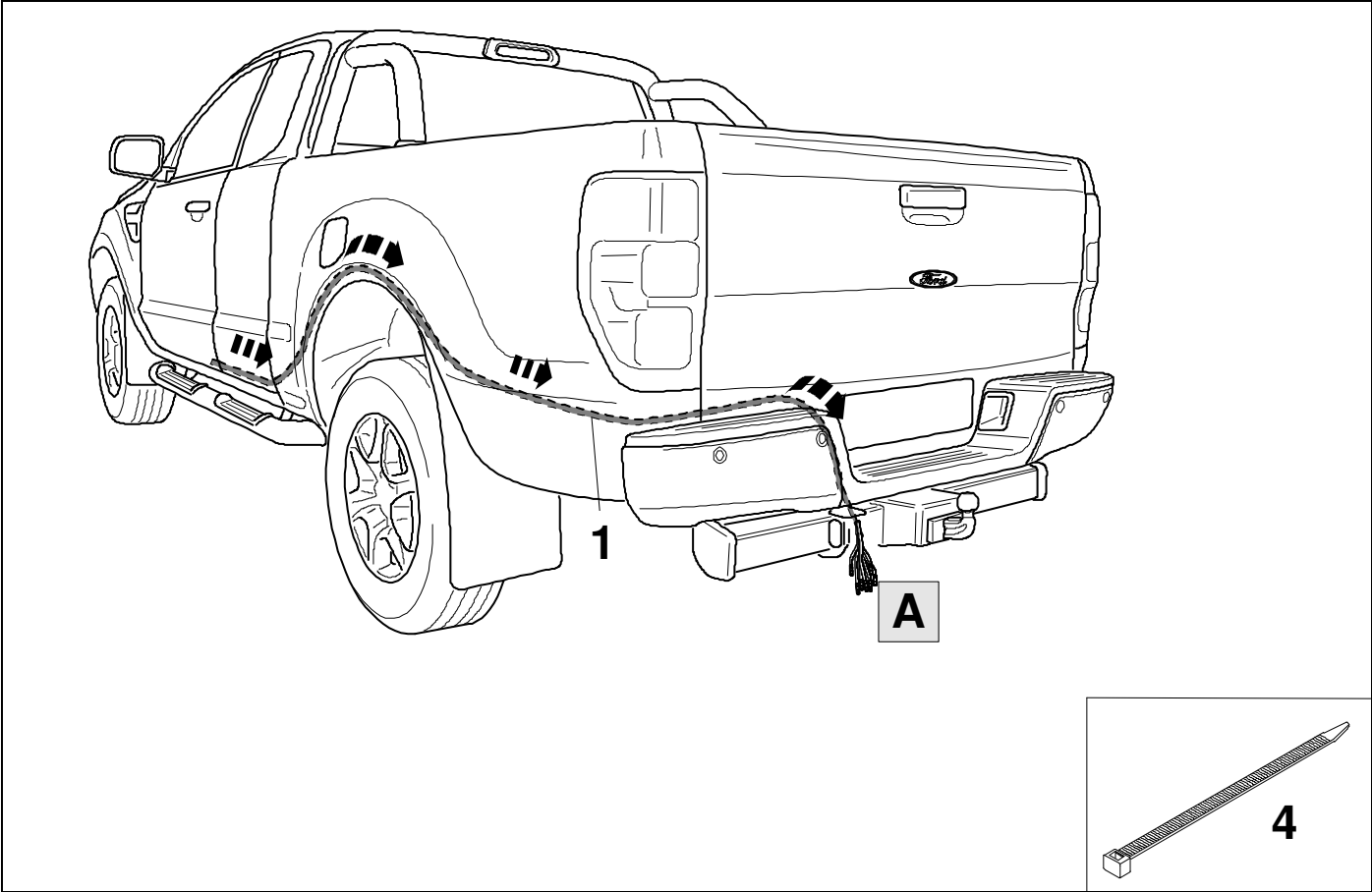
3



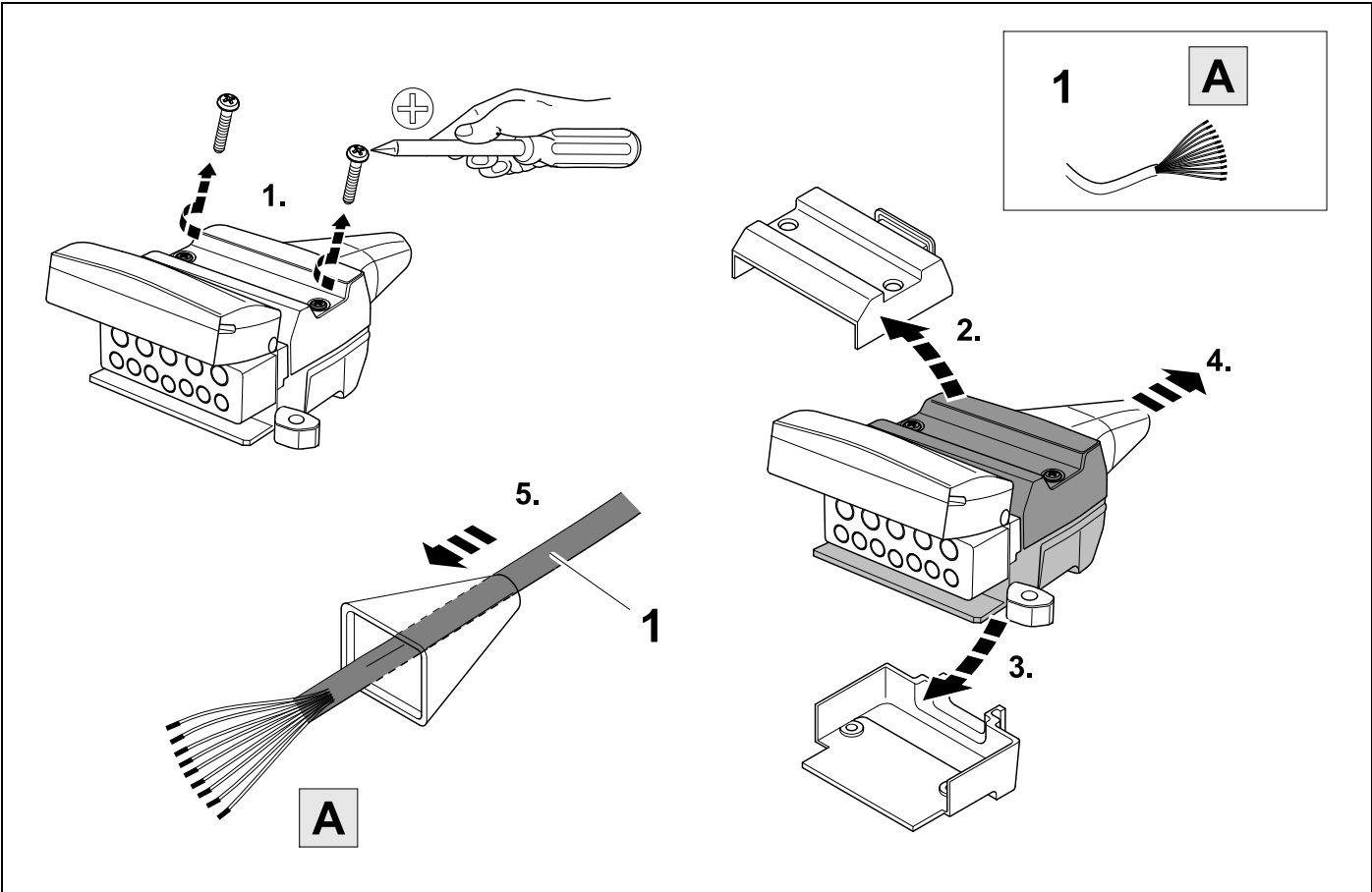
4



5



6



7

👁️ ⇒ 9

Diagram illustrating the wiring connections for step 7. A terminal block is shown with wires connected to terminals. A hand is shown using a screwdriver to adjust a terminal. A warning icon (eye) is present. A table lists color codes and their corresponding symbols:

ye	1	← L
rd	6	Stop
bu	5	🚗
wh	3	⚡
bk	2	1 3 2 4 (R)
bn	7	💡
gn	4	→ R

Additional options for terminal 10:

or	8	⊕
	9	⊕
wh	10	⚡
	11	💡
	12	1 3 2 4 (R)

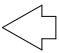


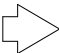
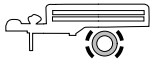
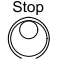

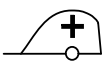




A warning triangle with an exclamation mark is also present.

8


Diagram illustrating the installation of the device into a cabinet. A warning triangle with an exclamation mark is shown. The device is being mounted to a cabinet. A hand is shown using a screwdriver to secure the device. A callout box shows a close-up of the device with labels 1 and 2. Label 1 points to the terminal block, and label 2 points to the mounting bracket.

9

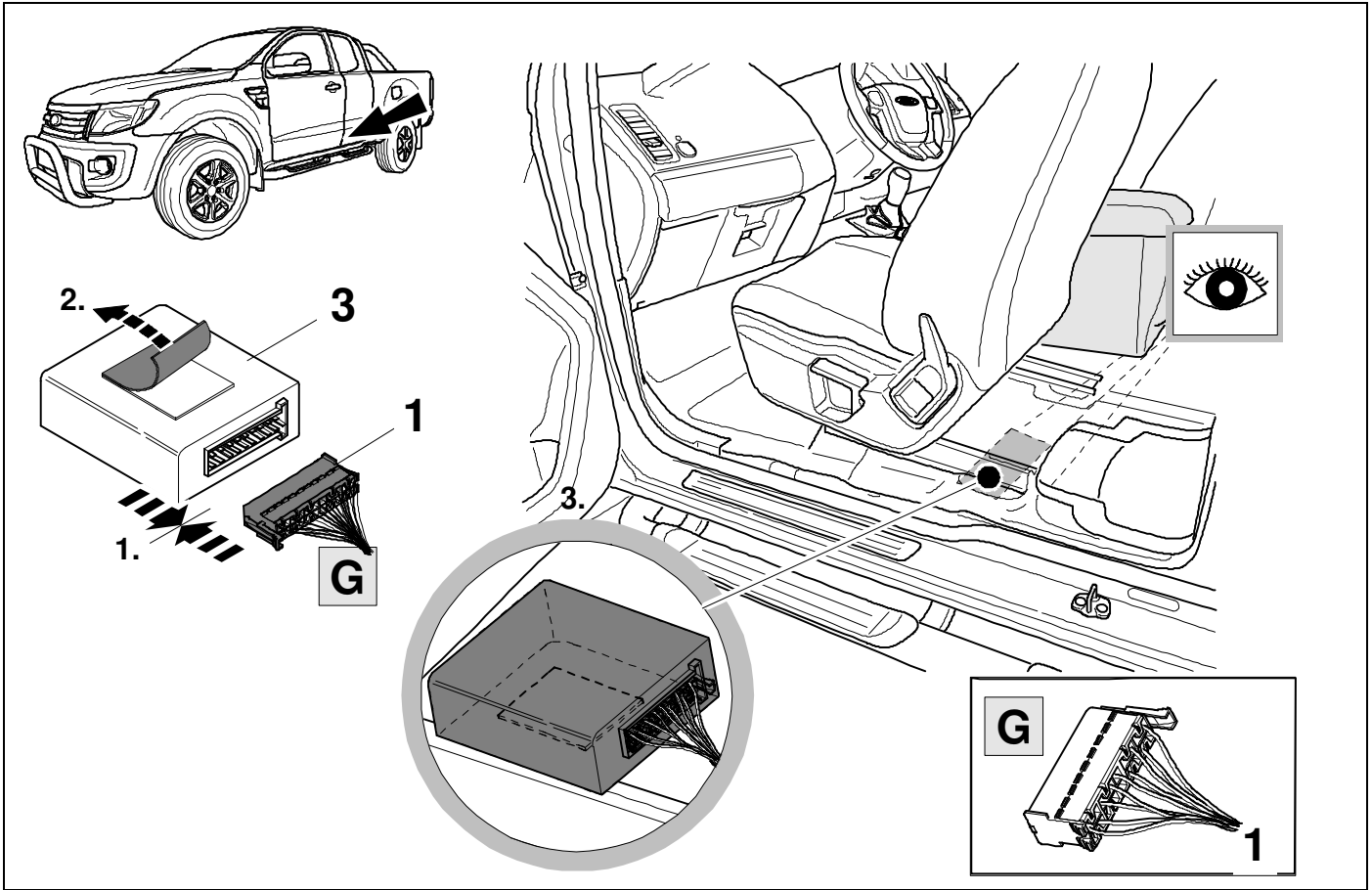
 ⇒ 10

1	ye	
2	bk	
3	wh	
4	gn	
5	bu	
6	rd	
7	bn	
8	or	
9	no	
10	wh	
11	no	
12	no	

10	bk	wh	gy	gn	rd	bu	ye	bn	pu	or	no
----	----	----	----	----	----	----	----	----	----	----	----

	black	white	grey	green	red	blue	yellow	brown	purple	orange	not occupied
---	-------	-------	------	-------	-----	------	--------	-------	--------	--------	--------------

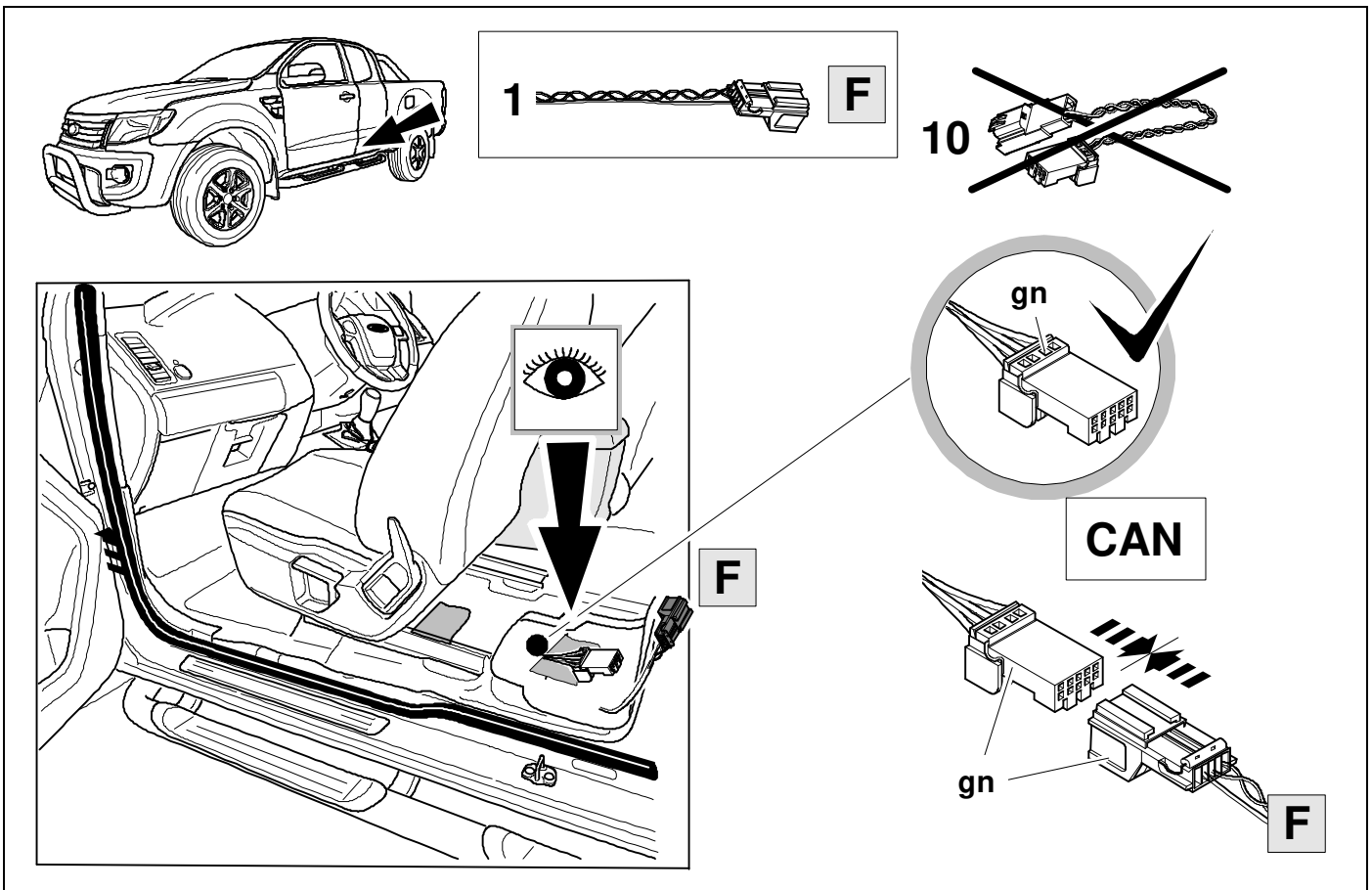
11



12 OPTION 1



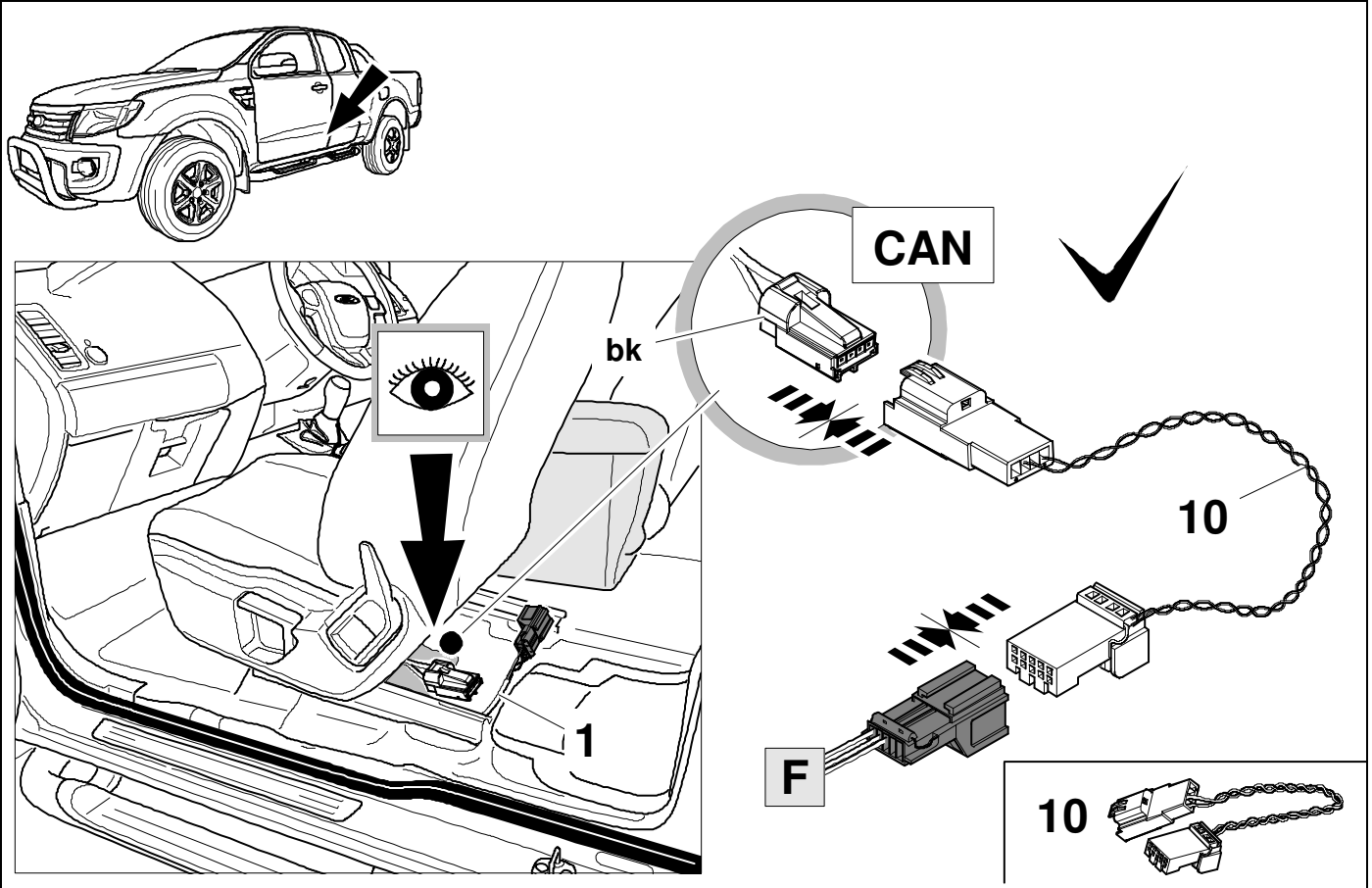
10



13 OPTION 2



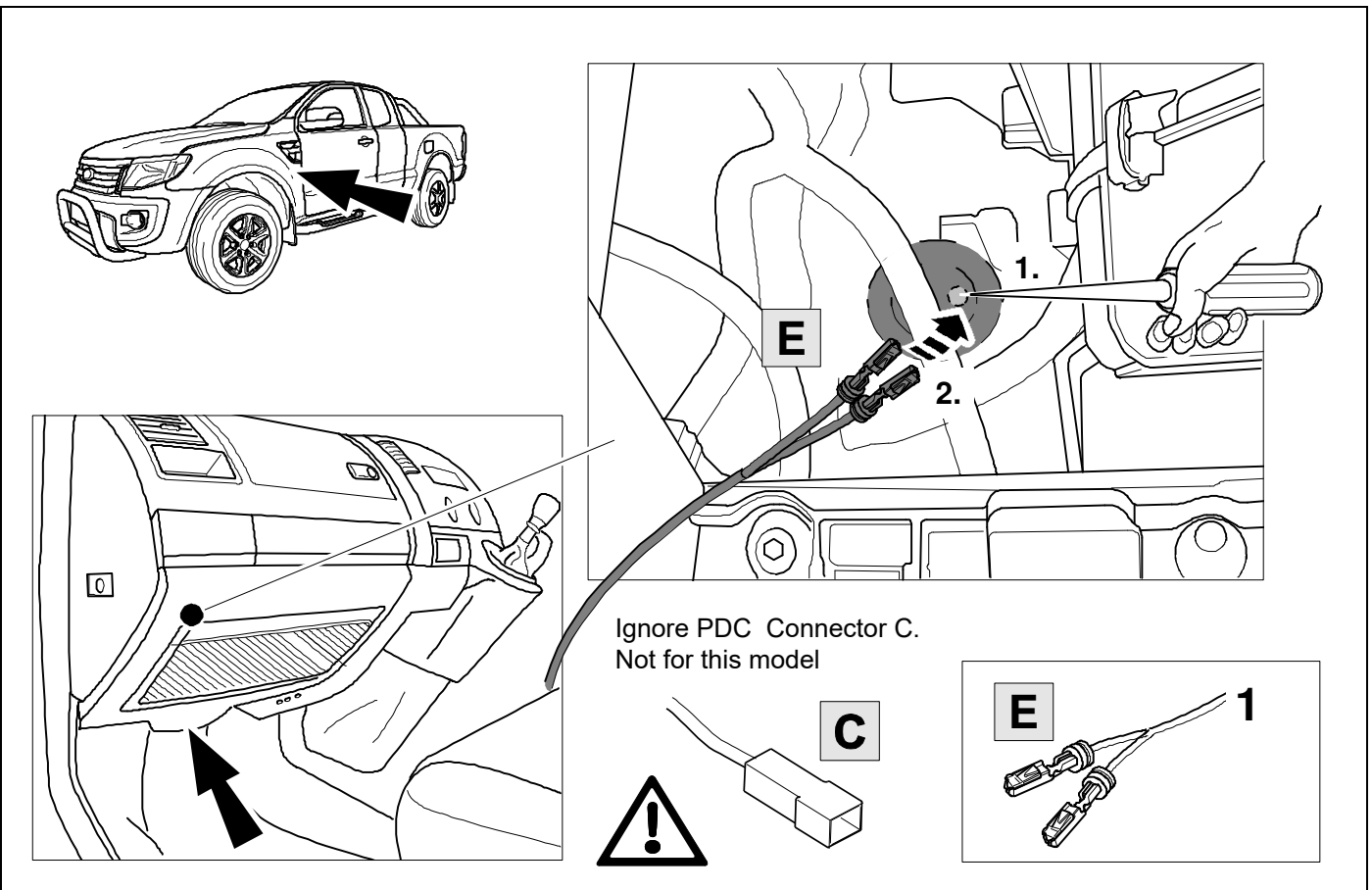
10



14



10



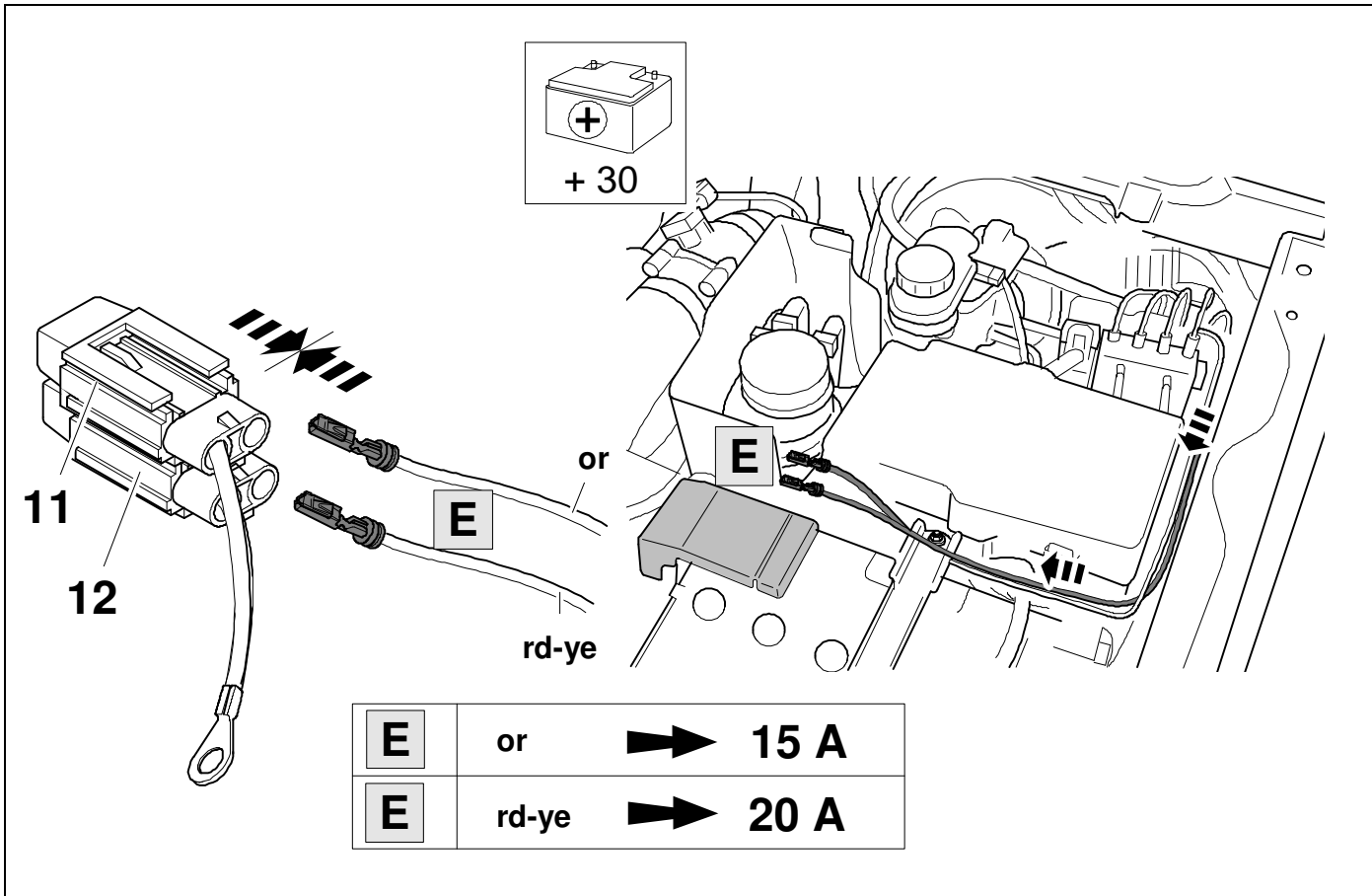
15



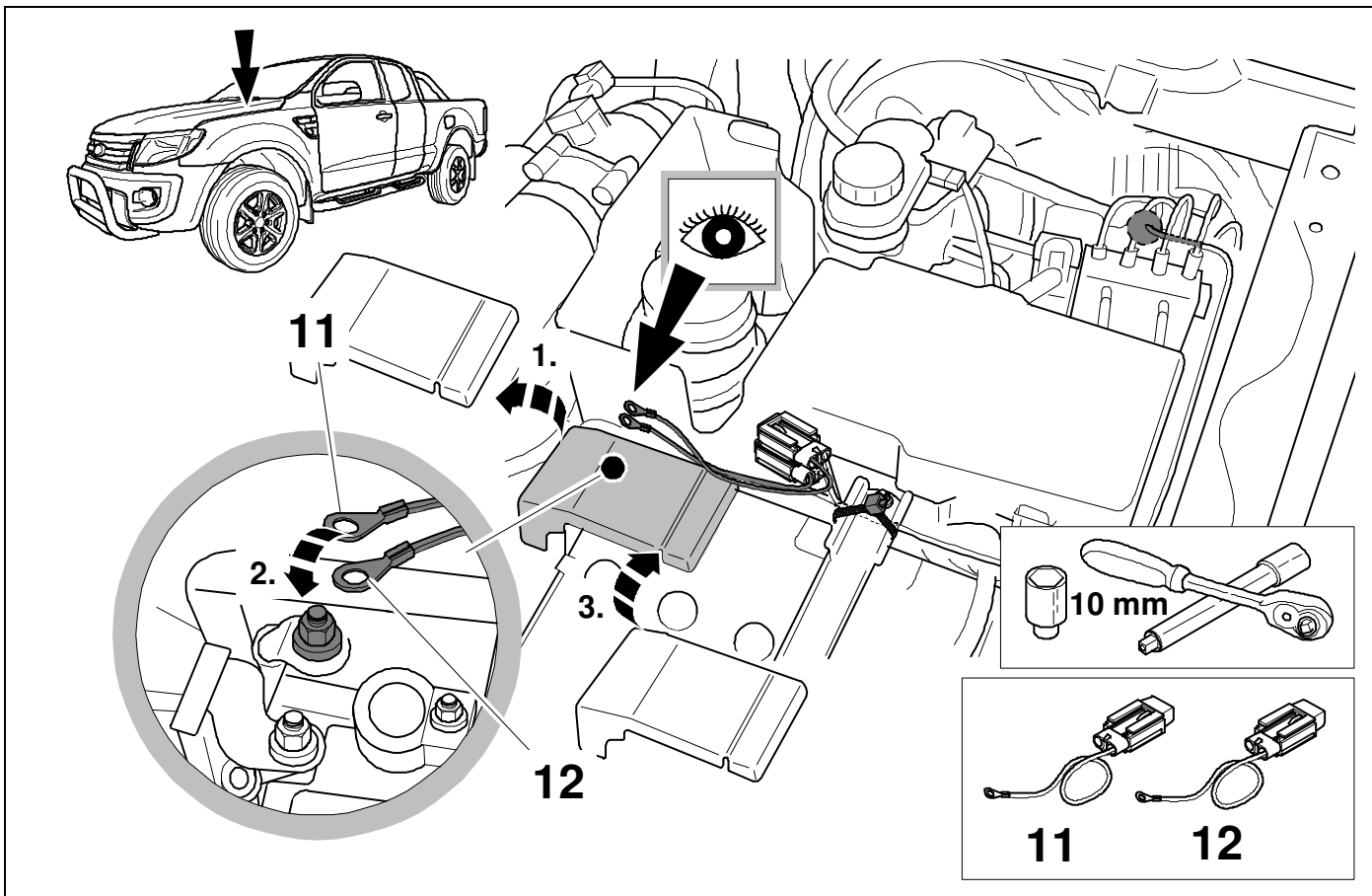
22

+

23



16



Trailer Brake Preparation

bu
rd

7 8 9

1. 2. 3.

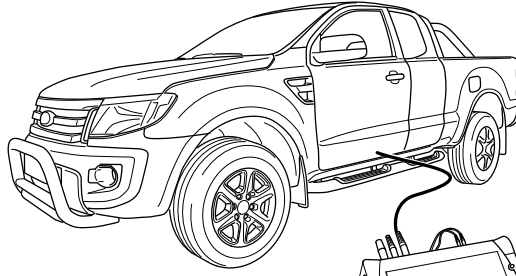
H bu rd bu rd

7 8 9

- +

SERVICE

19 OPTIONAL



FORD IDS



D

GB

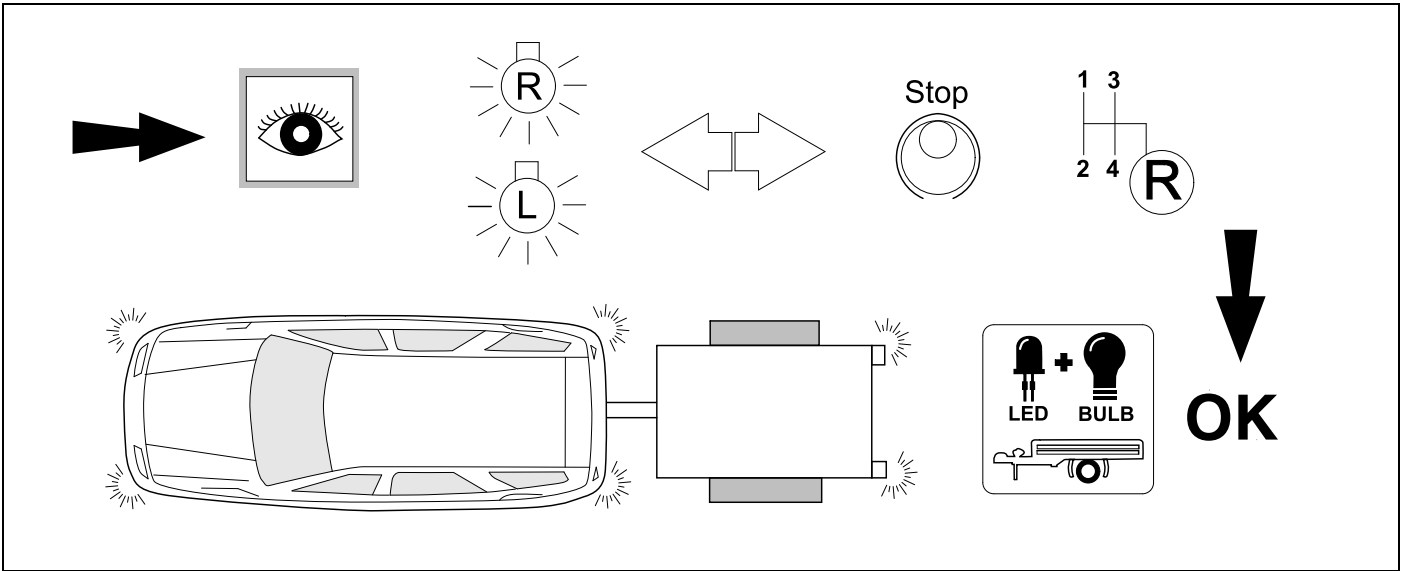
- **Starte IDS**
- **Fahrzeugauswahl**
- **Wähle Diagnose**
- **Elektronik > Service Funktionen >**
- **Konfiguration der Anhängerkupplung**
- **Programmanweisungen folgen**

- **Start IDS**
- **Select Vehicle**
- **Select Folder Diagnostic**
- **Electronic > Service functions >**
- **Tow Bar configuration**
- **Follow the program instructions**

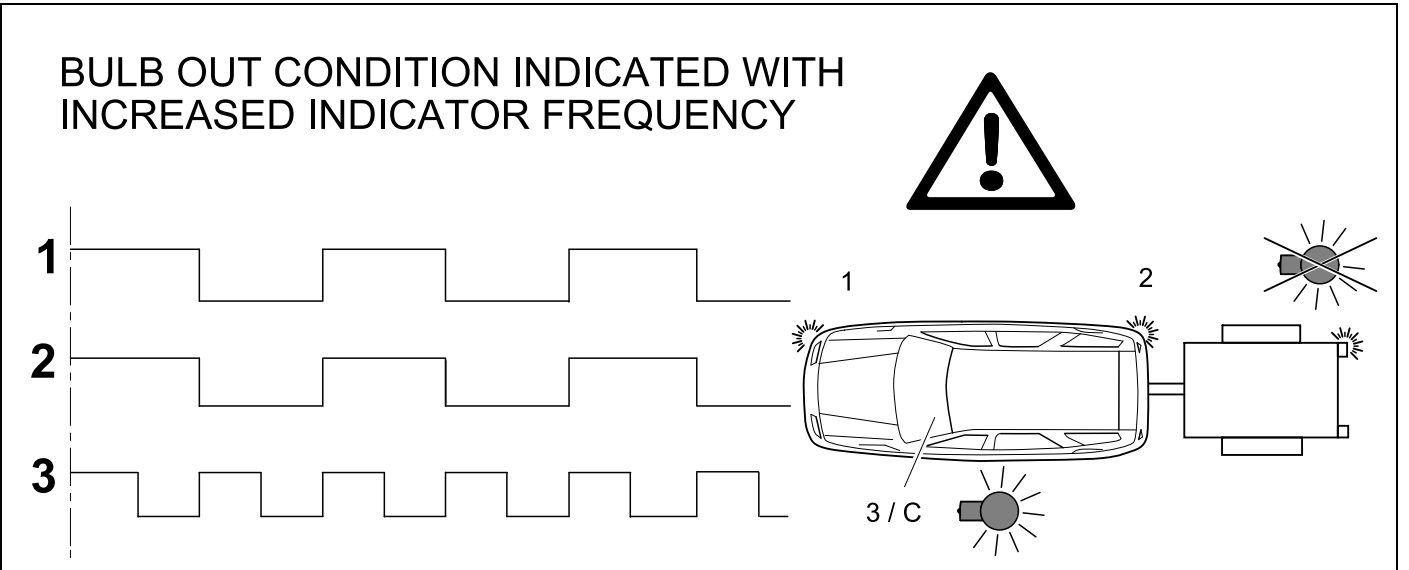
Optional:

For Automatic Rear Parking Sensor deactivation the vehicle needs to be coded using the Ford OEM or aftermarket coding system.

20 CHECK

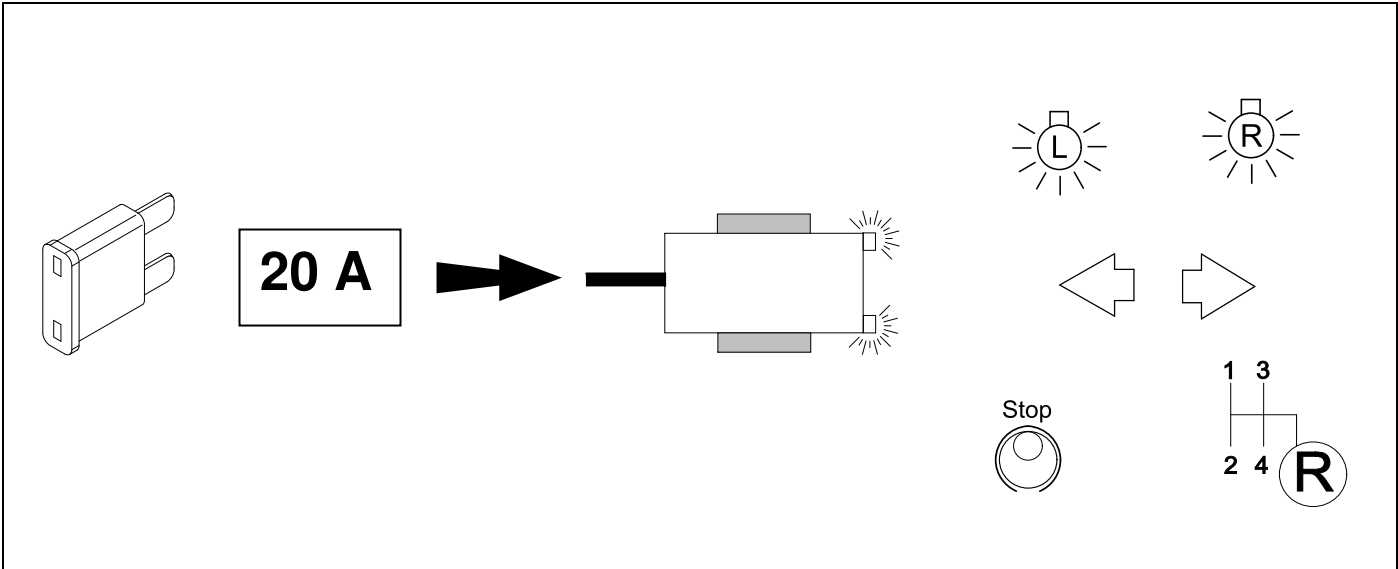


21 CHECK BULB OUT DETECTION



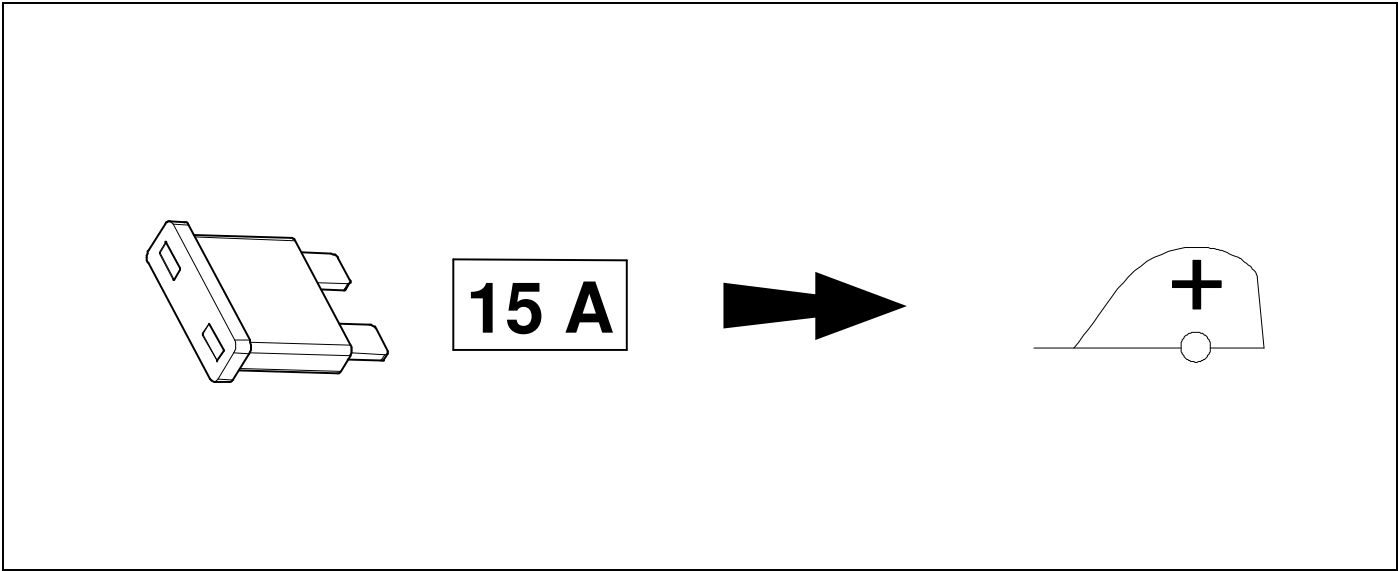
22

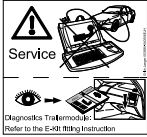
👁️ ⇒ 15



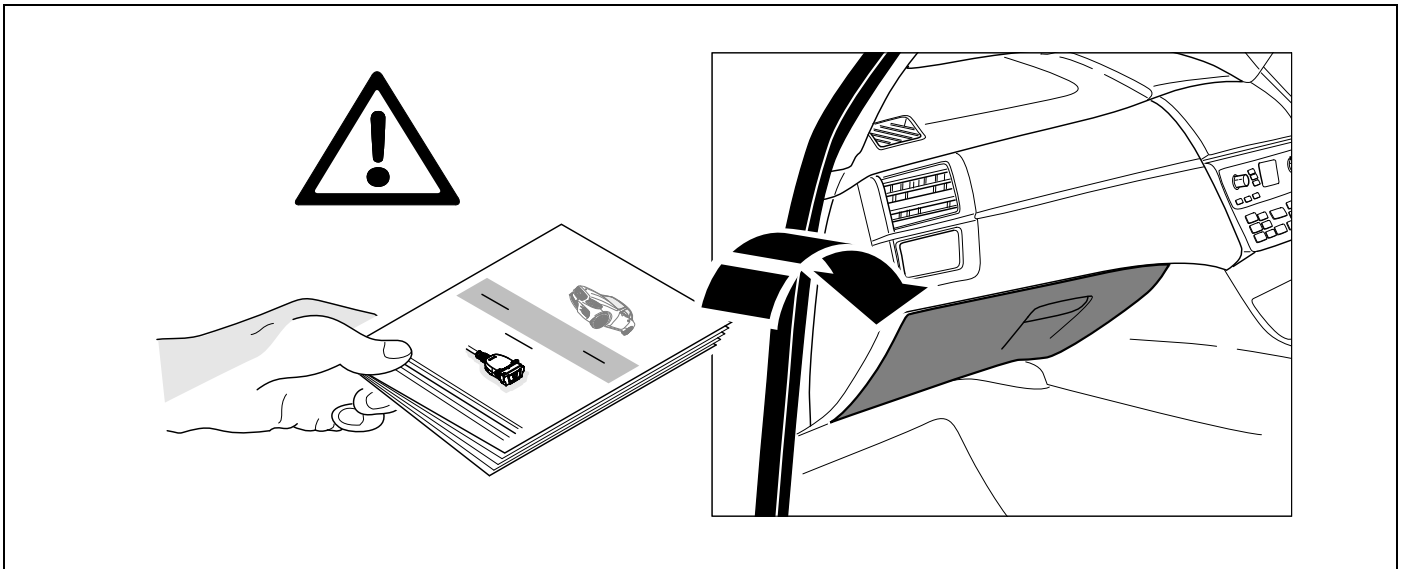
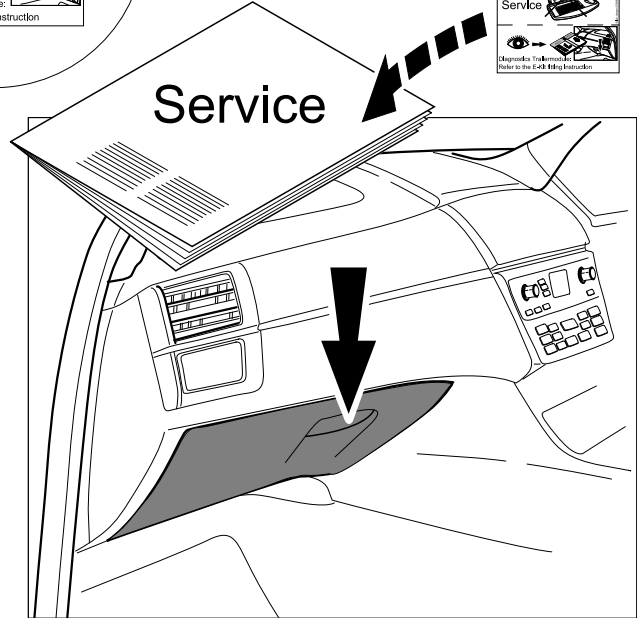
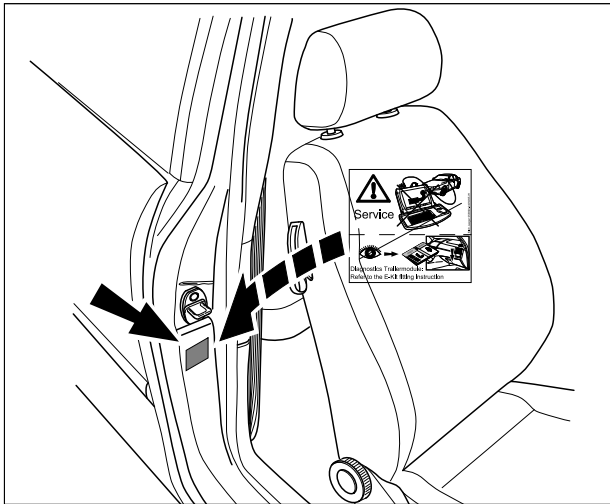
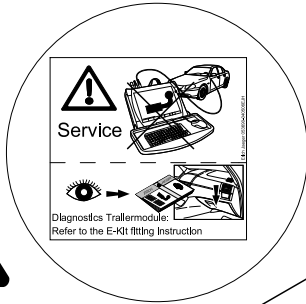
23

👁️ ⇒ 15



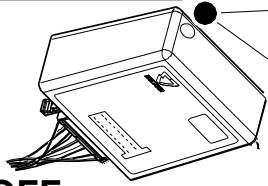
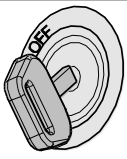


2x 6



Subject to change in terms of construction, equipment and colour, and may contain errors.
The information and illustrations are non-binding.

Operation Support



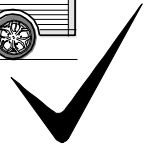
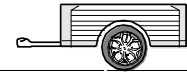
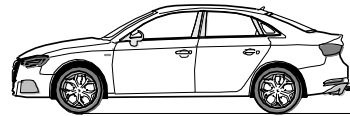
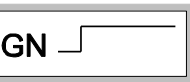
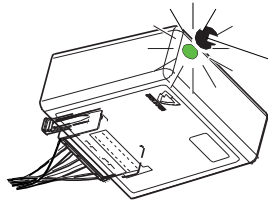
No CAN-Data =



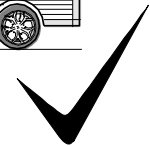
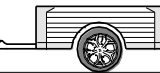
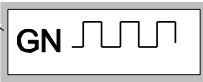
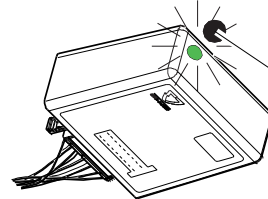
Standby / Sleepmode



Ignition OFF



Ignition ON



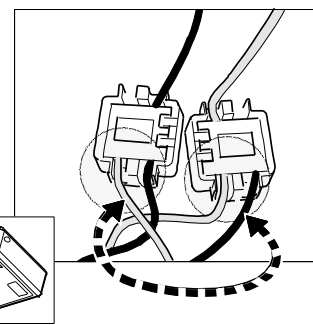
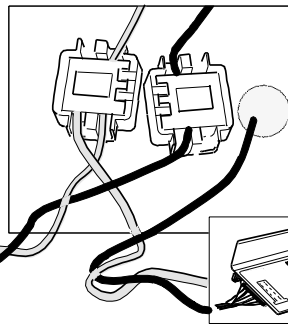
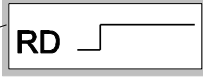
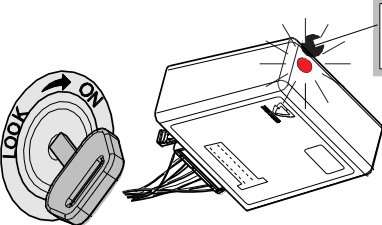
Ignition ON

Failure Support

CAN-Data Wire

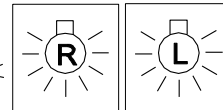


1x max. 5 min.

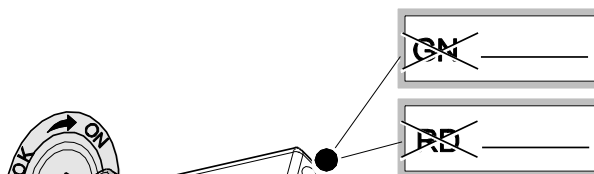


Ignition ON

Failure indicated by the module LED glowing red for a maximum of 5 minutes. If trailer connected the tail lights will also glow indicating failure of CAN signal.



Ignition ON



or

