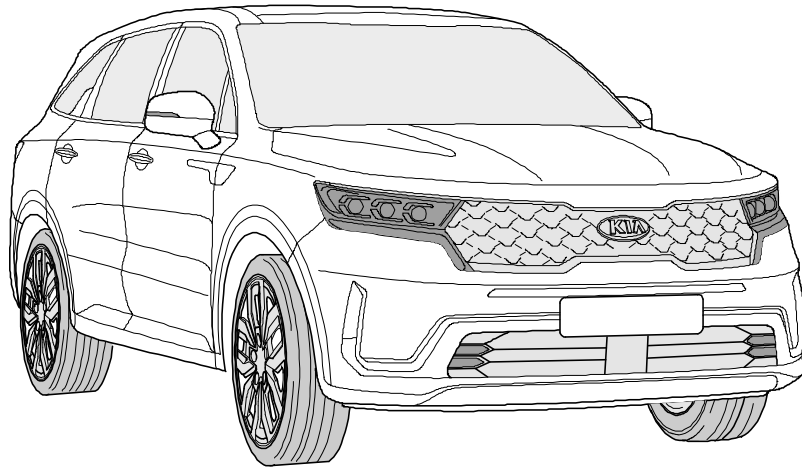




ERICH JAEGER

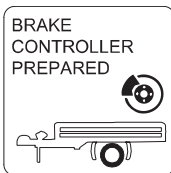
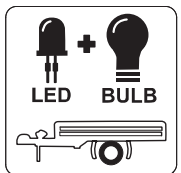
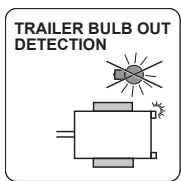
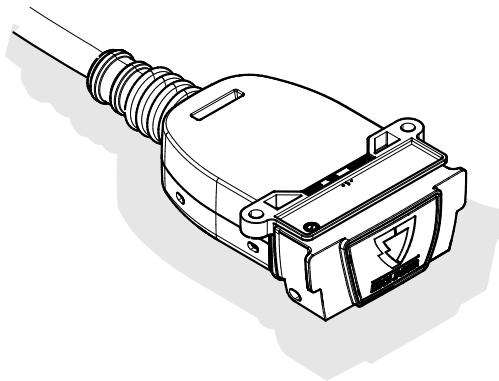
# Installation instructions



## 750158

### KIA Sorento HEV / PHEV

09/20 >>

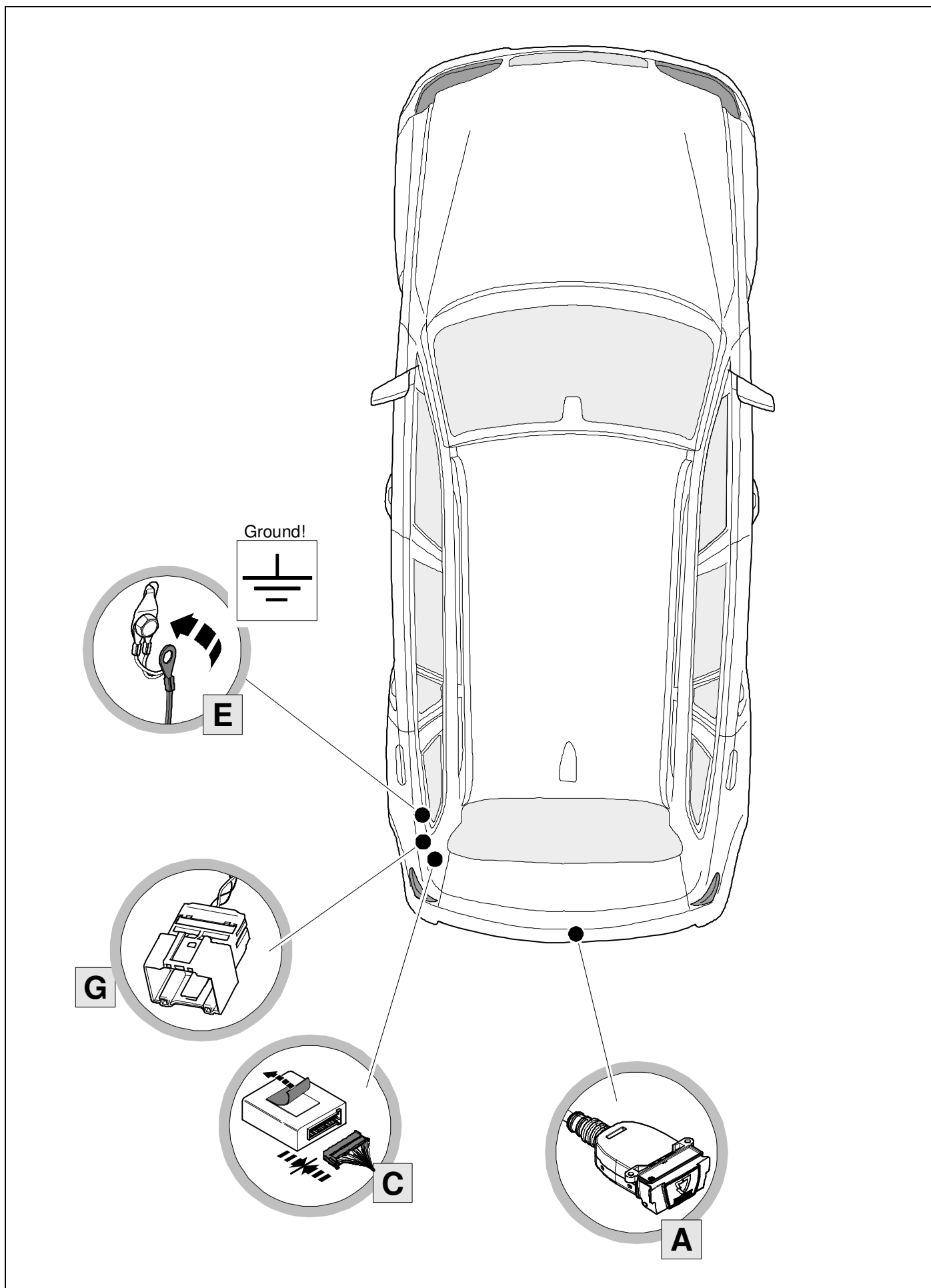


### Reference:

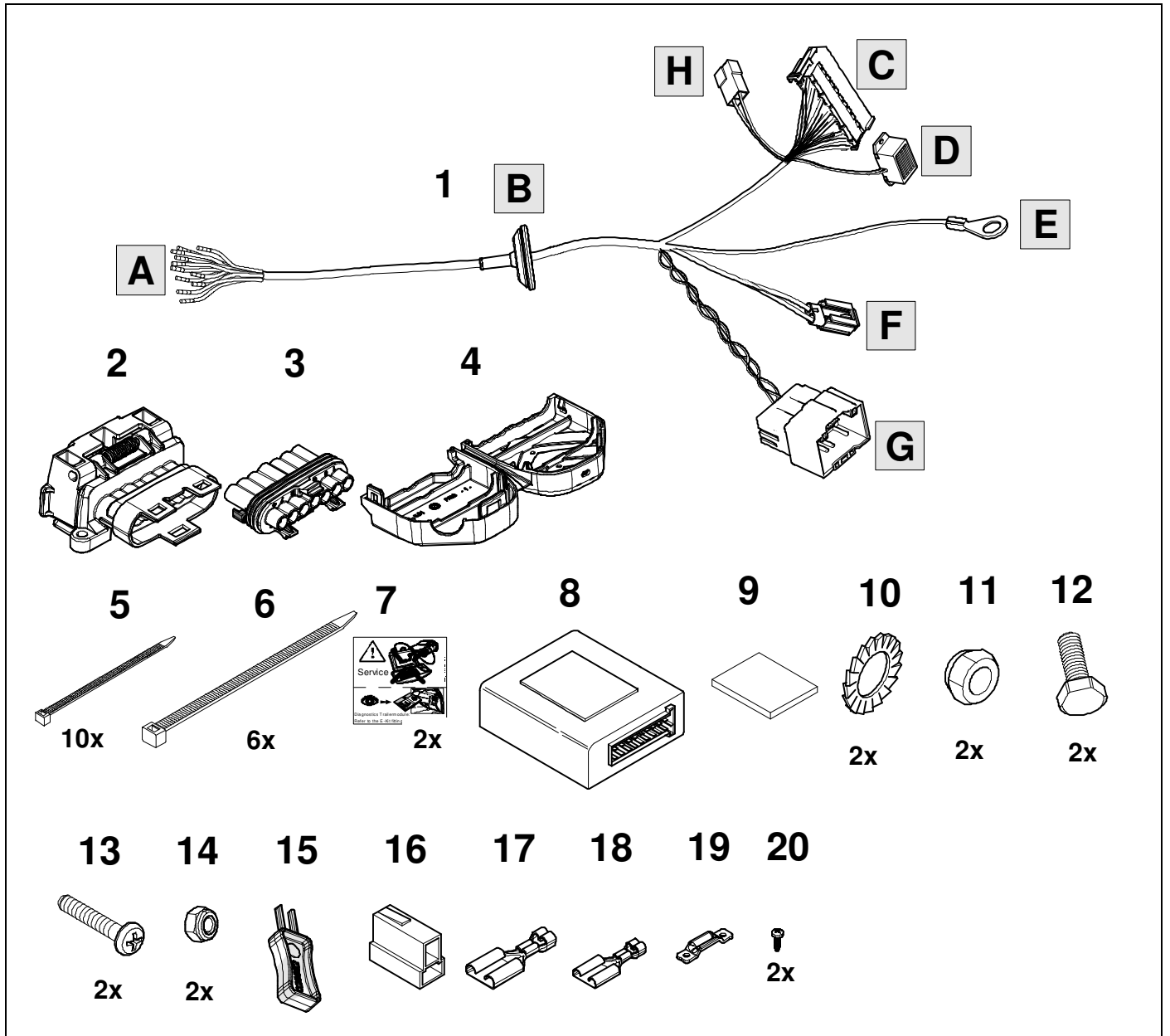
The following information must be reviewed before beginning the assembly:

- The installation instructions are to be thoroughly read.
- The installation should be carried out by qualified personnel with the relevant technical knowledge.
- The vehicle manufacturers' current technical notices and information on retrofitting must be followed.
- The removal and replacement instructions found in the current repair manuals must be followed.
- It must be ensured that the vehicle is technically suitable for the installation of a trailer hitch.

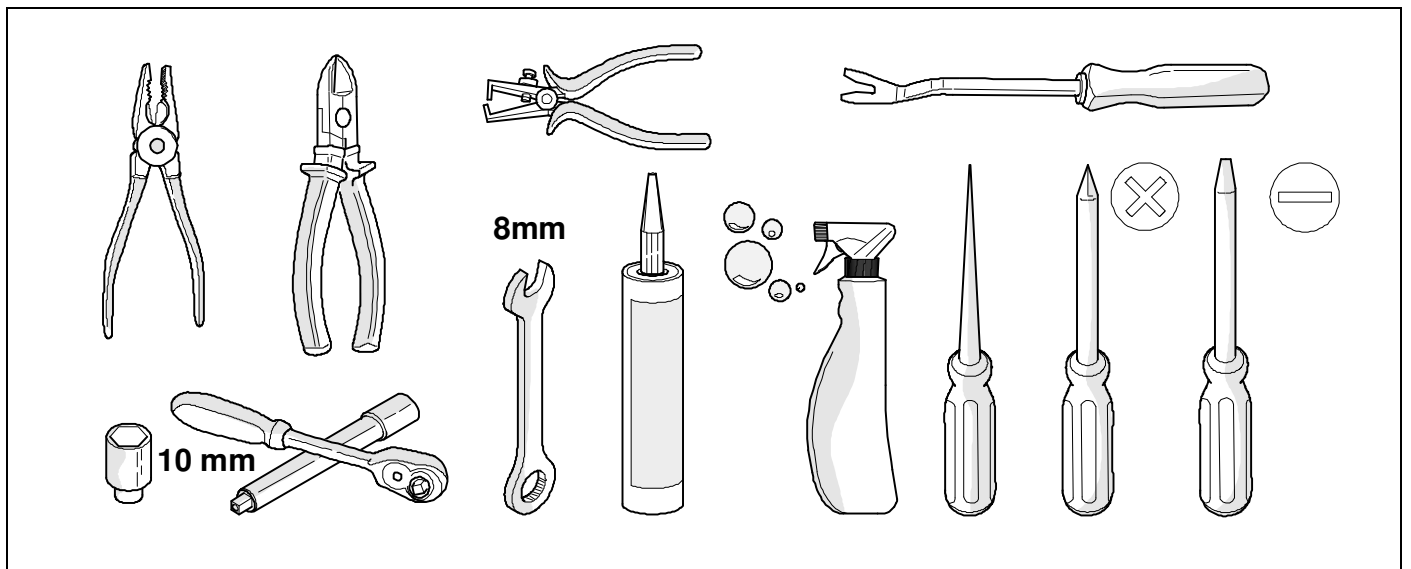
# OVERVIEW



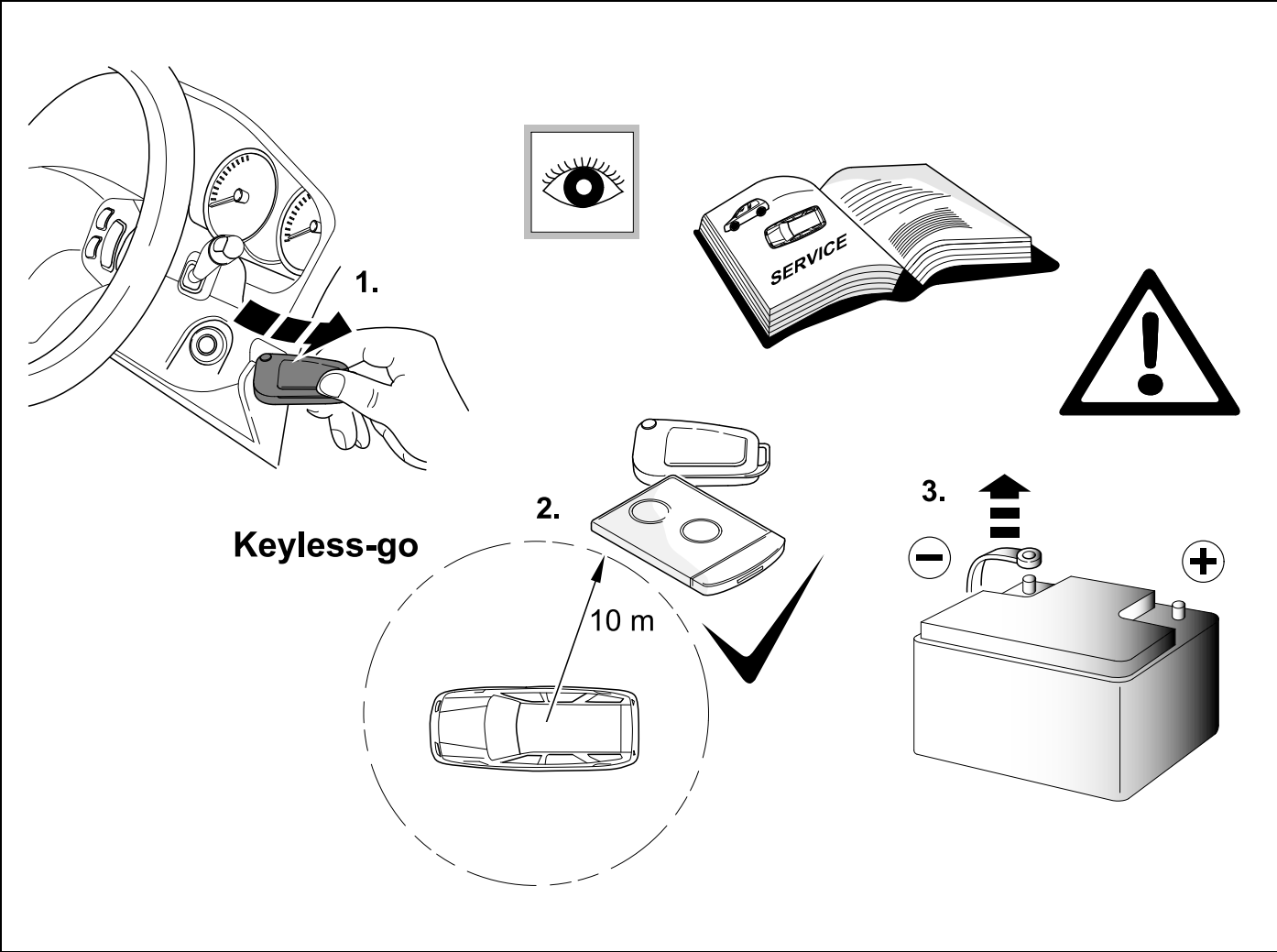
# KIT

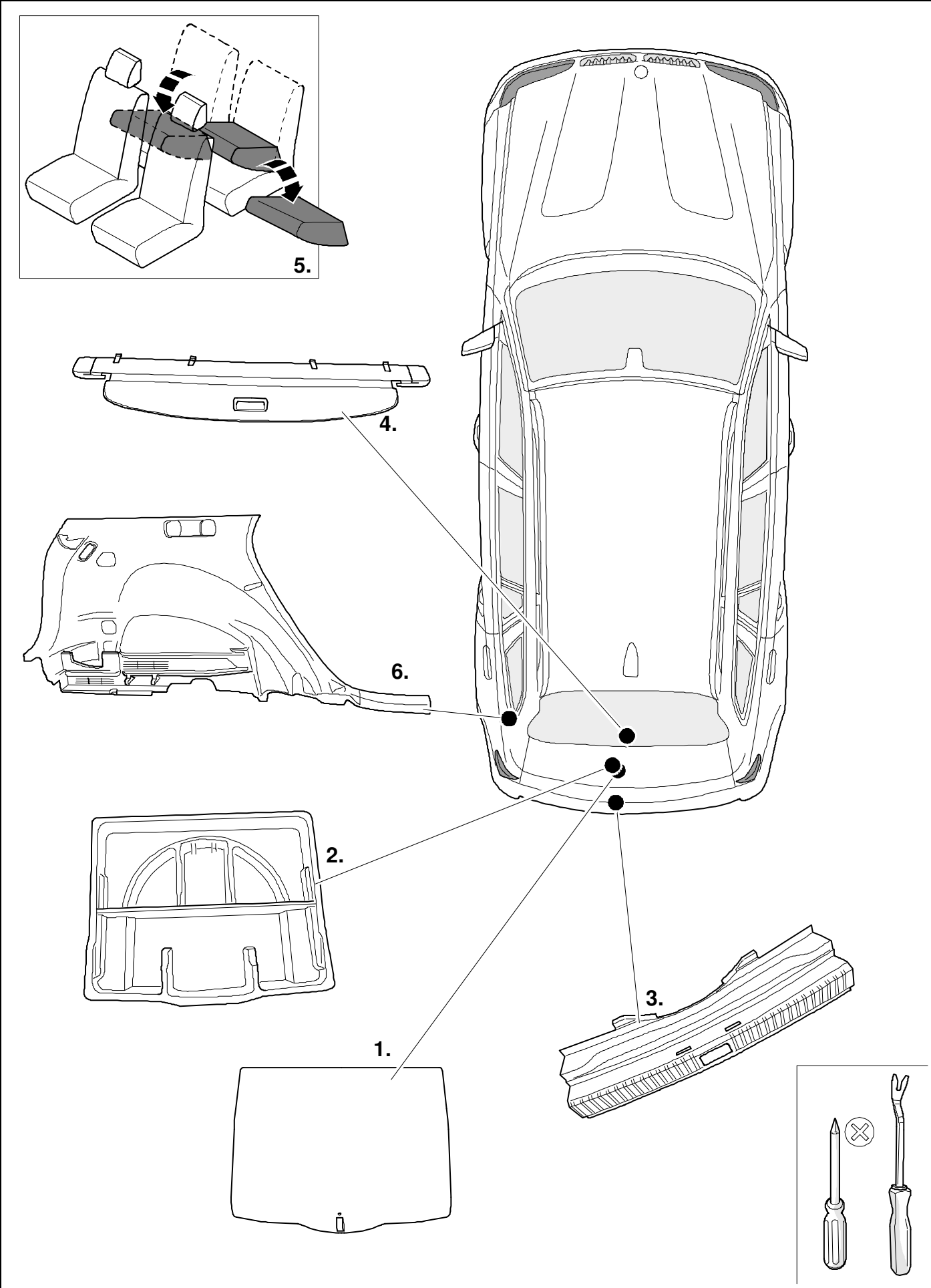


# TOOLS

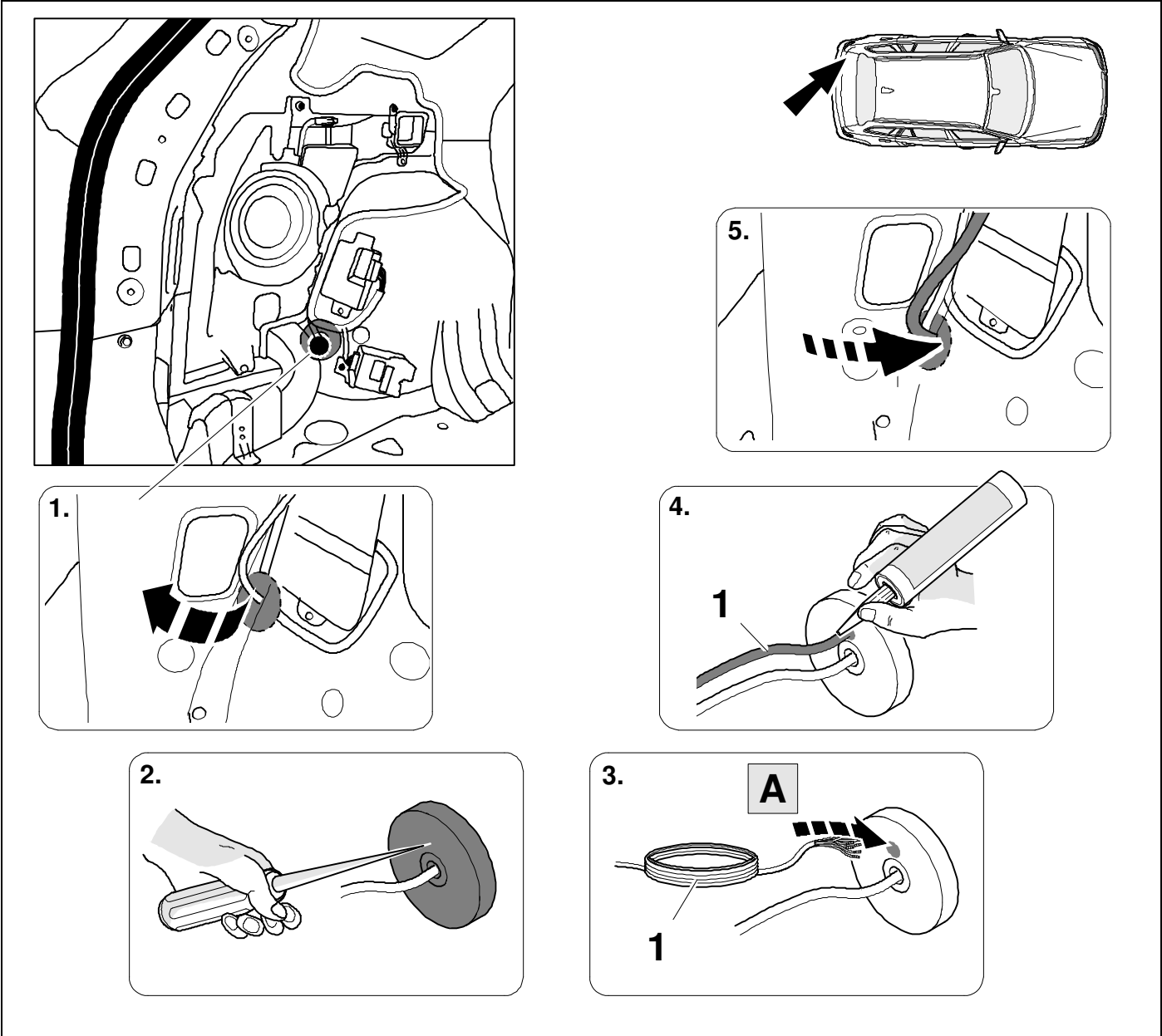


1

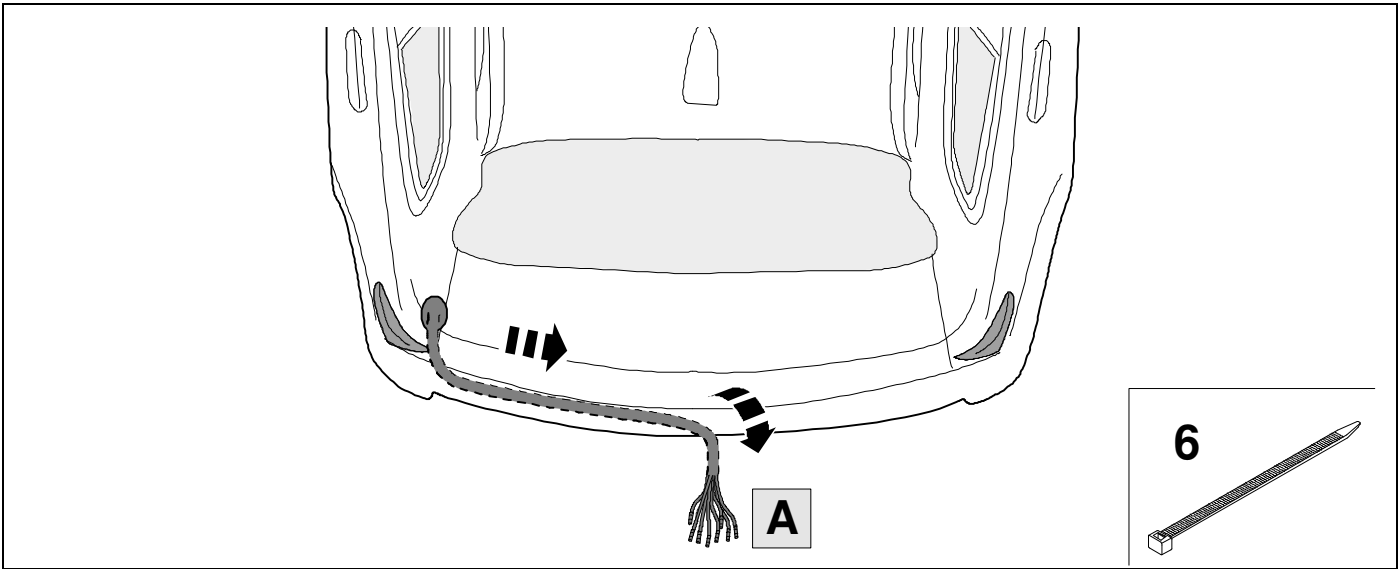


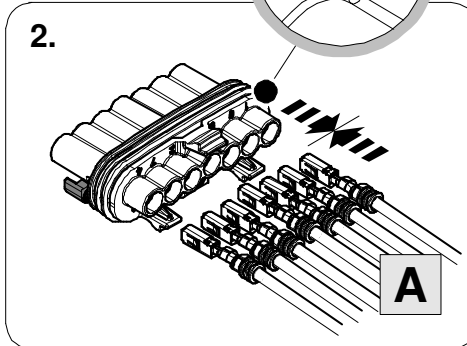
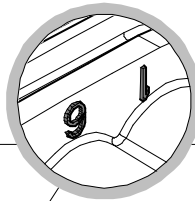
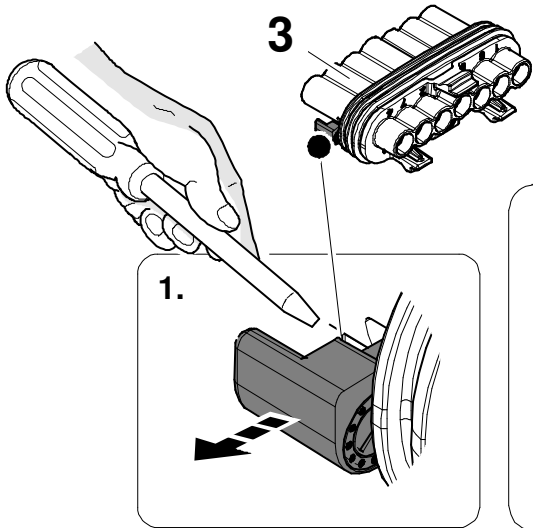


3

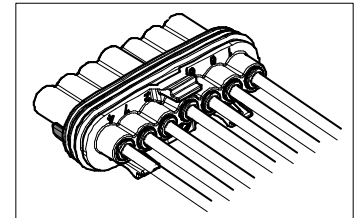
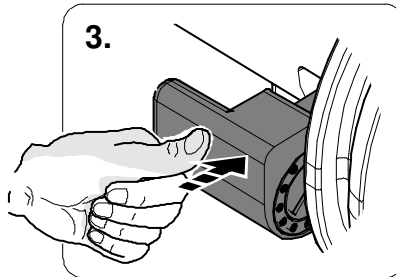
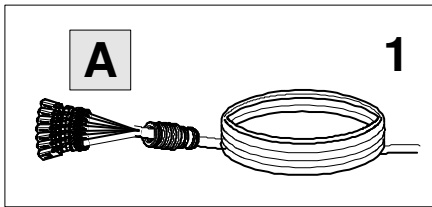


4

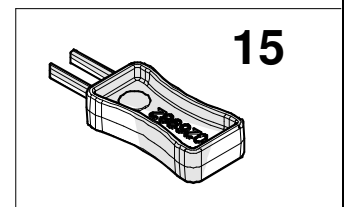
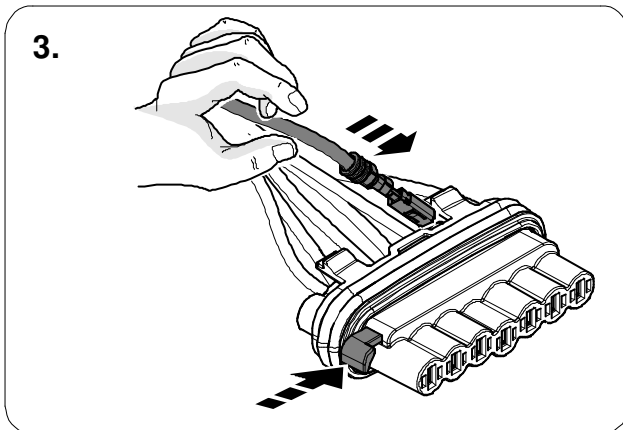
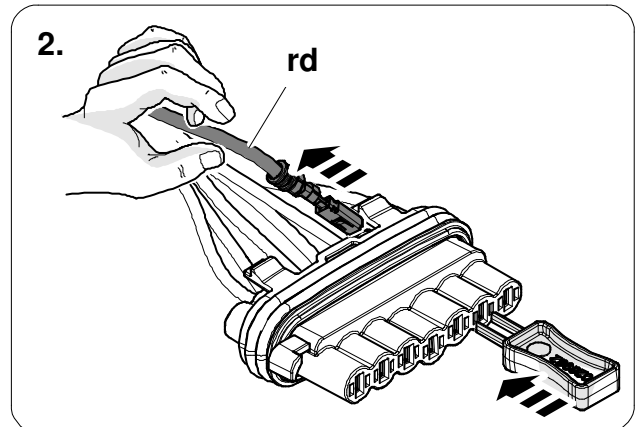
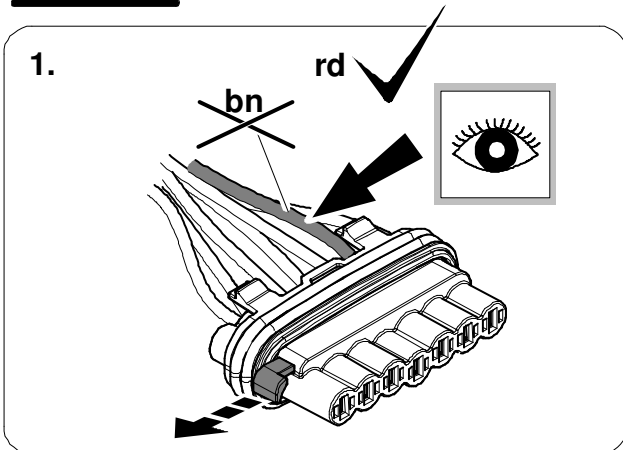




ye	1	
rd	6	
bu	5	
wh	3	
bk	2	
bn	7	
gn	4	



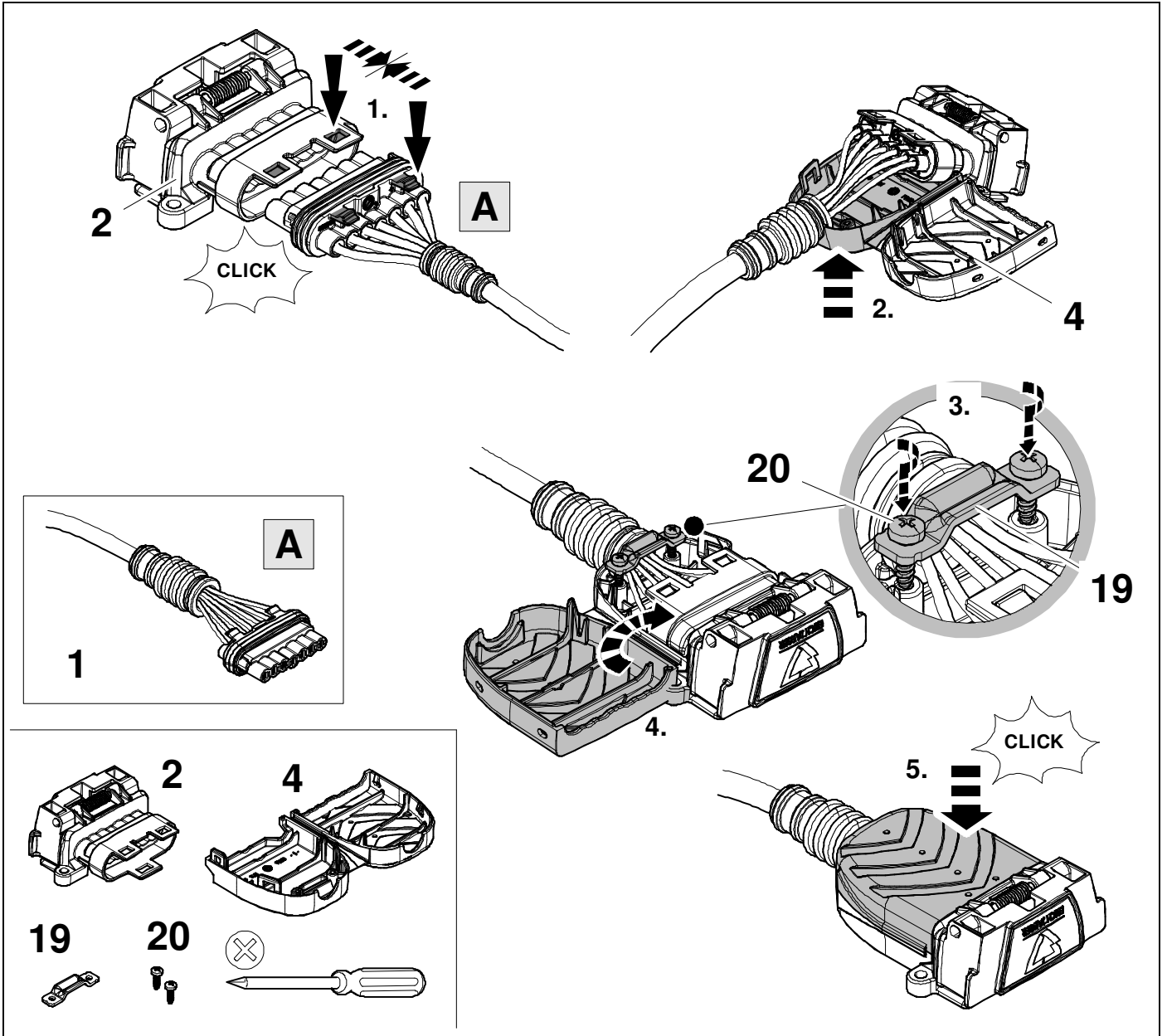
In case of wrong pin insert:



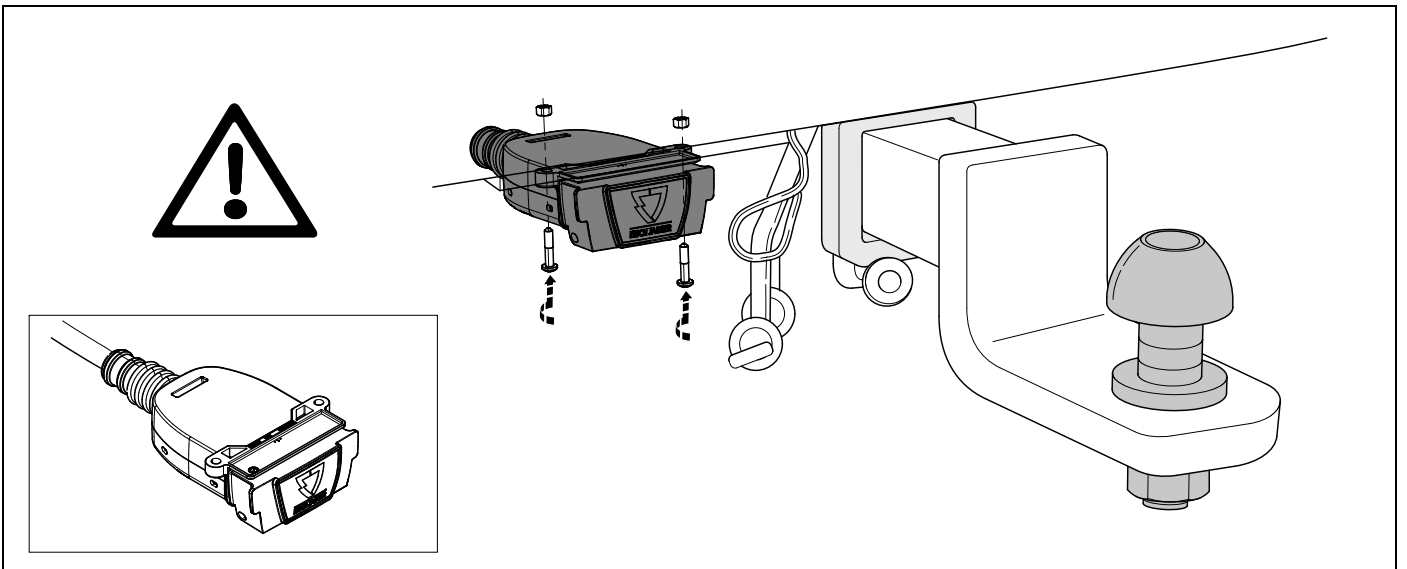
6



8



7





8



9

1	ye	
2	bk	
3	wh	
4	gn	
5	bu	
6	rd	
7	bn	

9	bk	wh	gy	gn	rd	bu	ye	bn	pu	or	no
---	----	----	----	----	----	----	----	----	----	----	----

	black	white	grey	green	red	blue	yellow	brown	purple	orange	not occupied
--	-------	-------	------	-------	-----	------	--------	-------	--------	--------	--------------

10

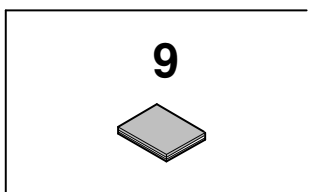
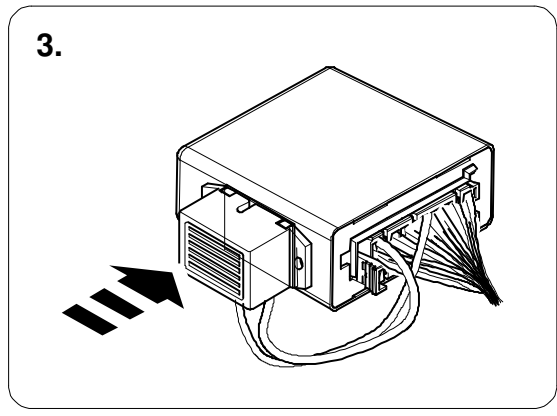
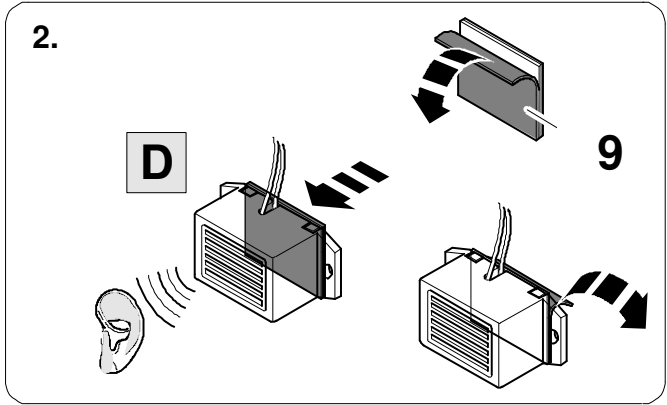
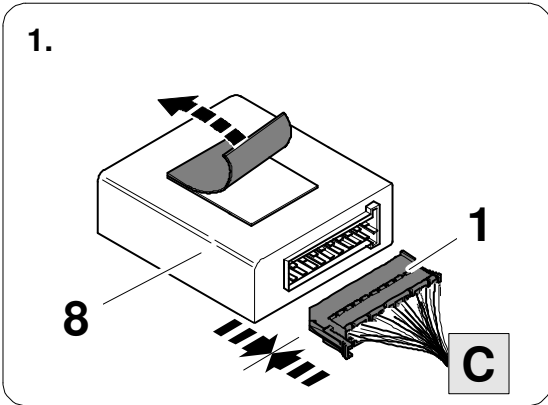
10 mm

5

11



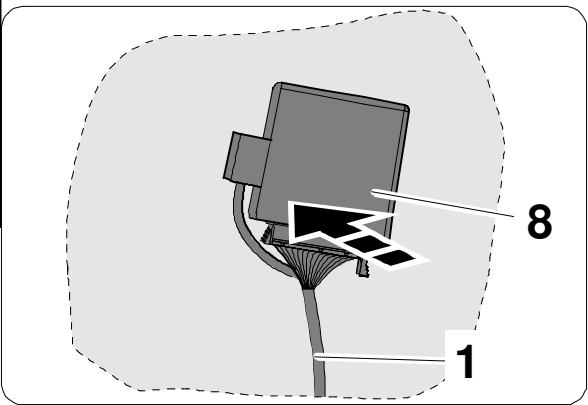
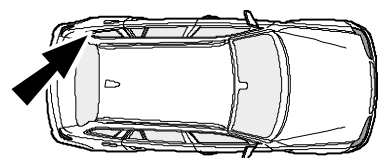
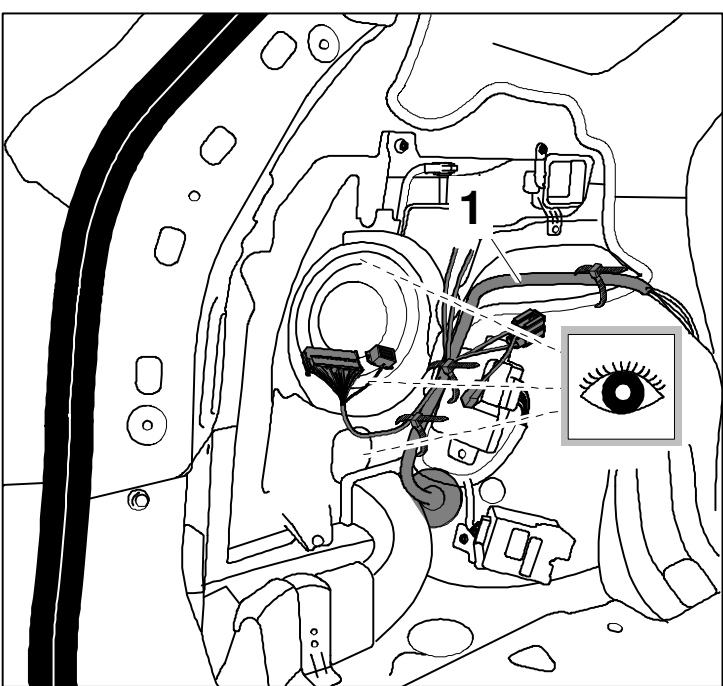
9



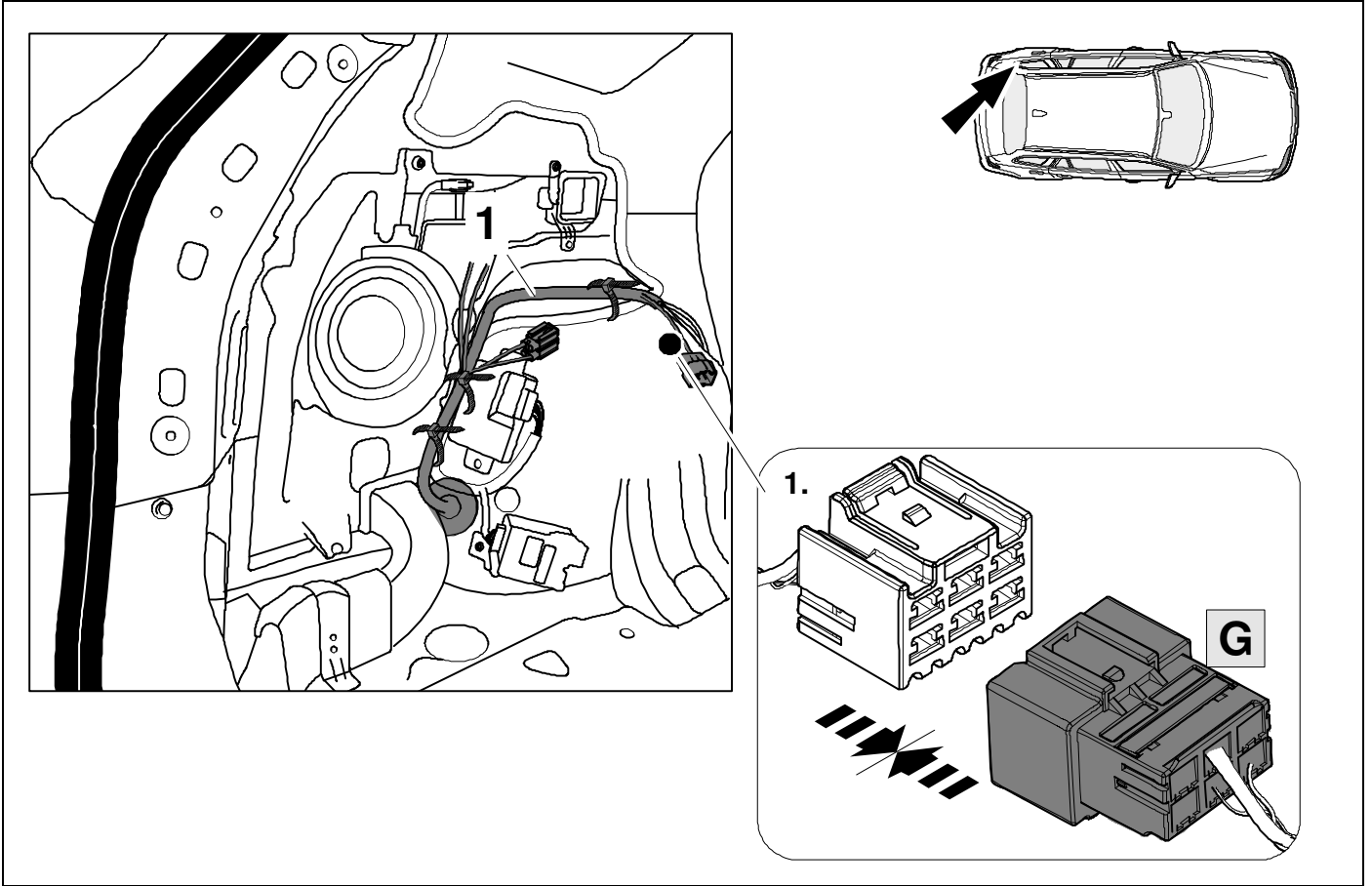
12



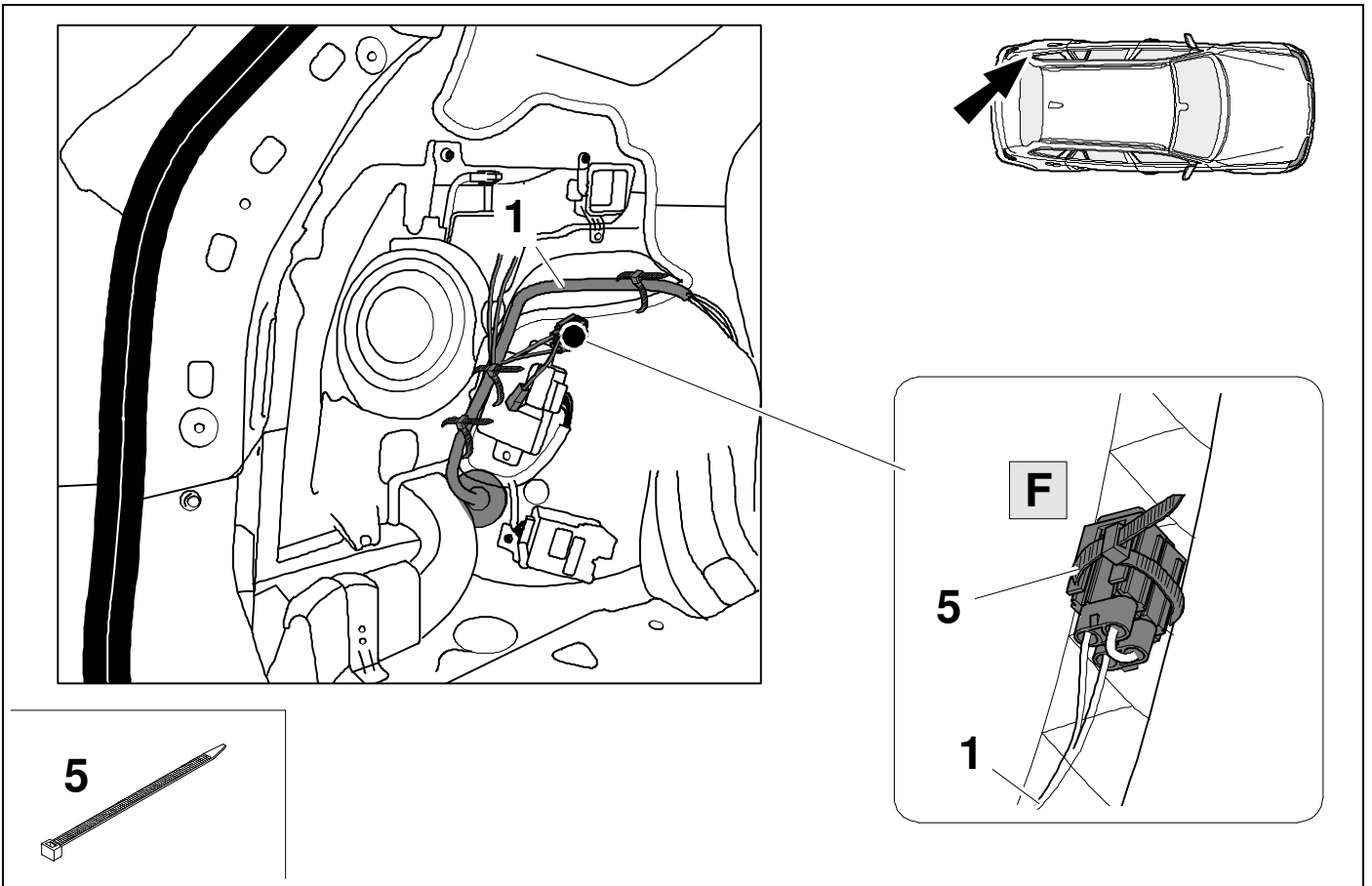
9



13

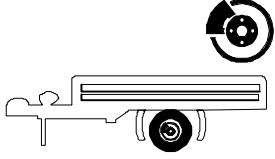


14

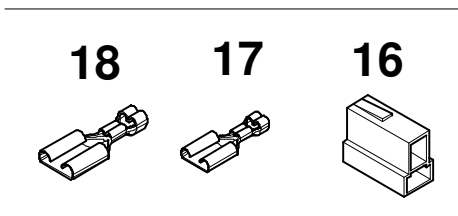
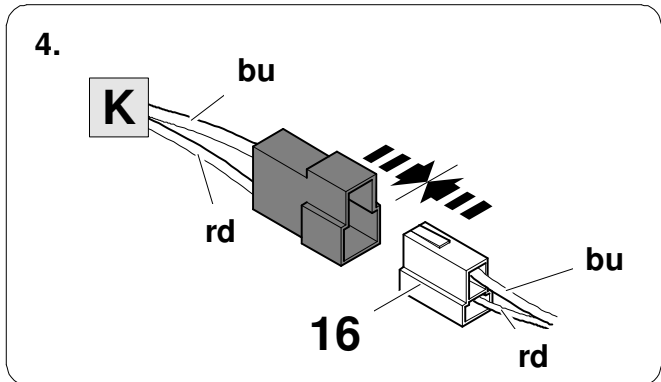
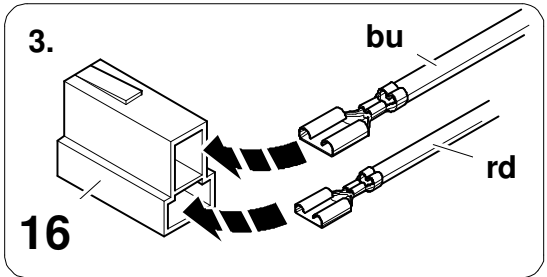
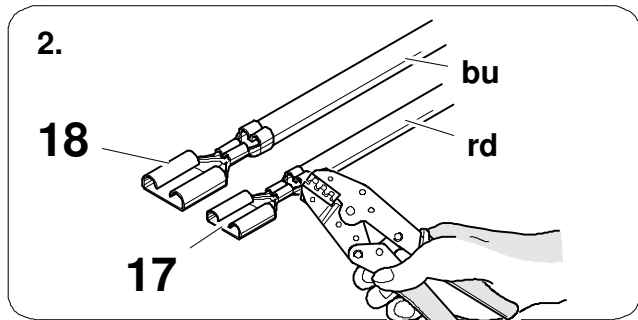
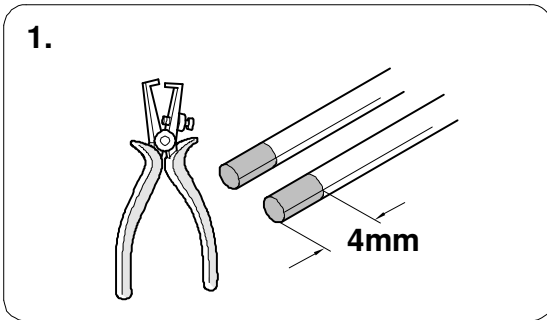
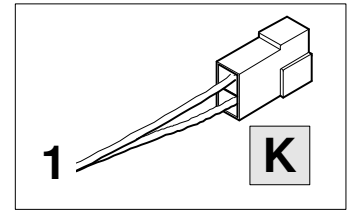




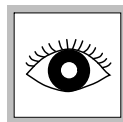
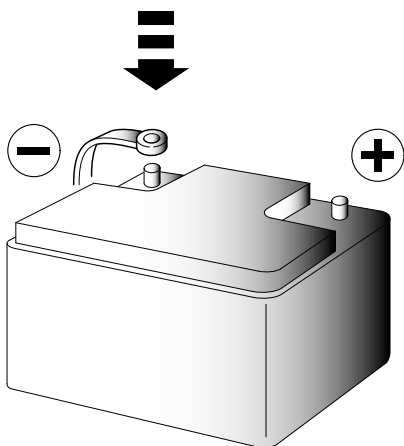
**BRAKE  
CONTROLLER  
PREPARED**



### Trailer Brake Preparation

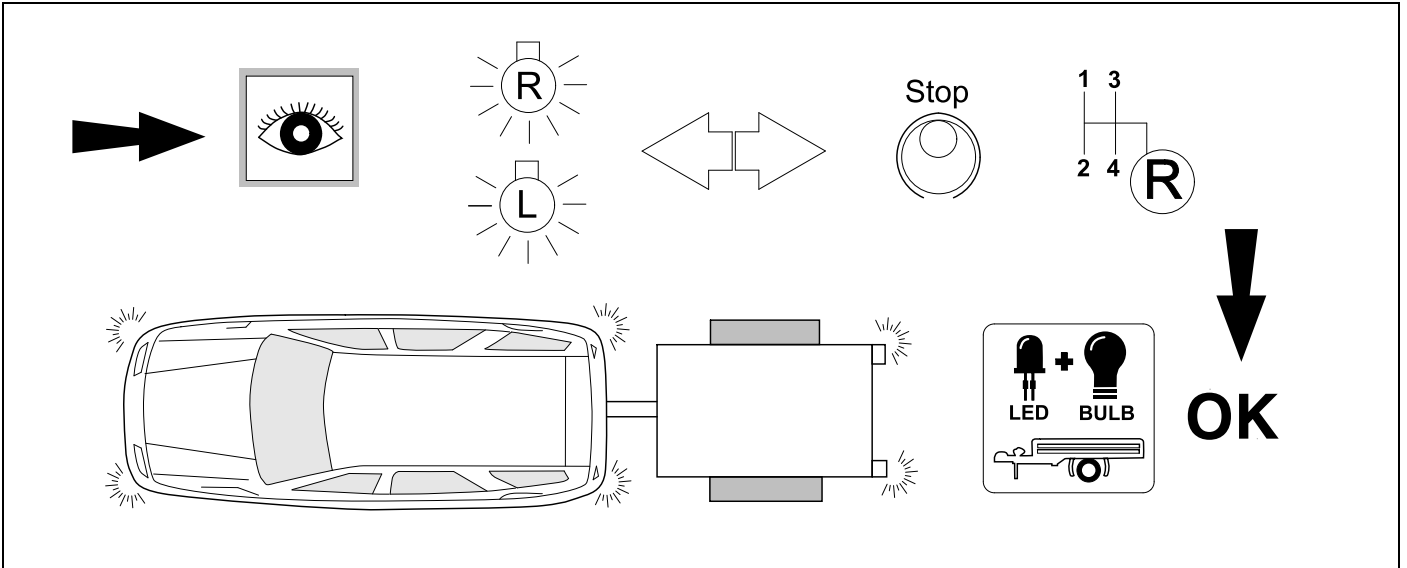


16

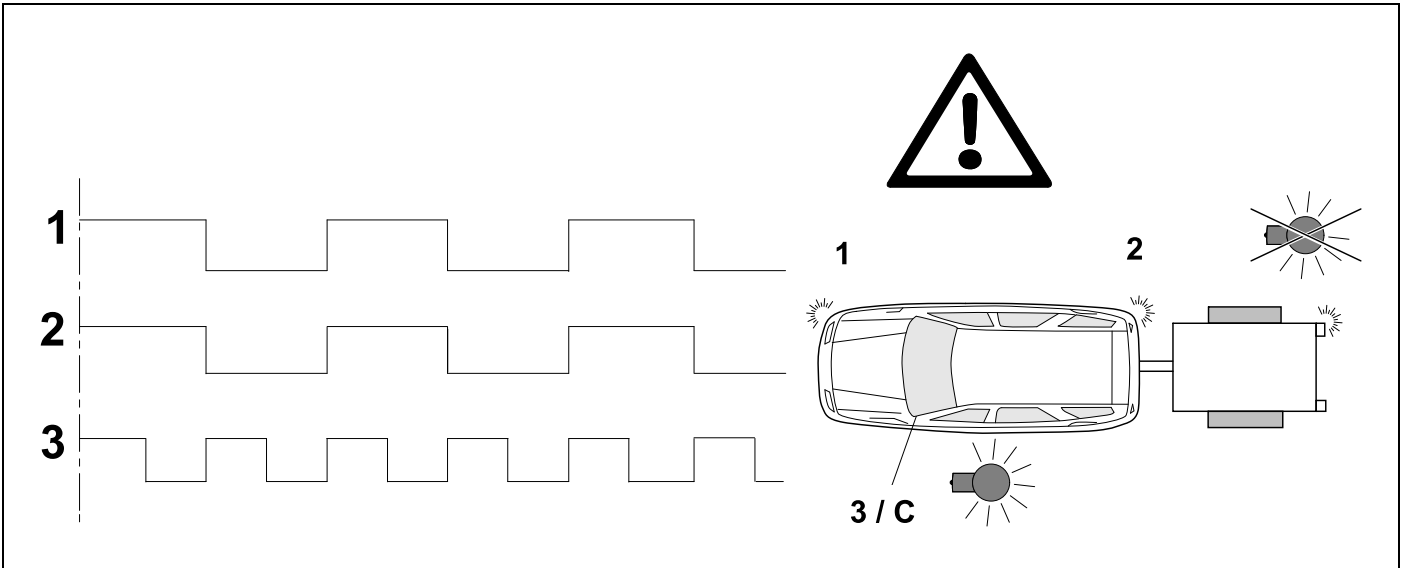


17

# CHECK ALL LIGHTING FUNCTIONS

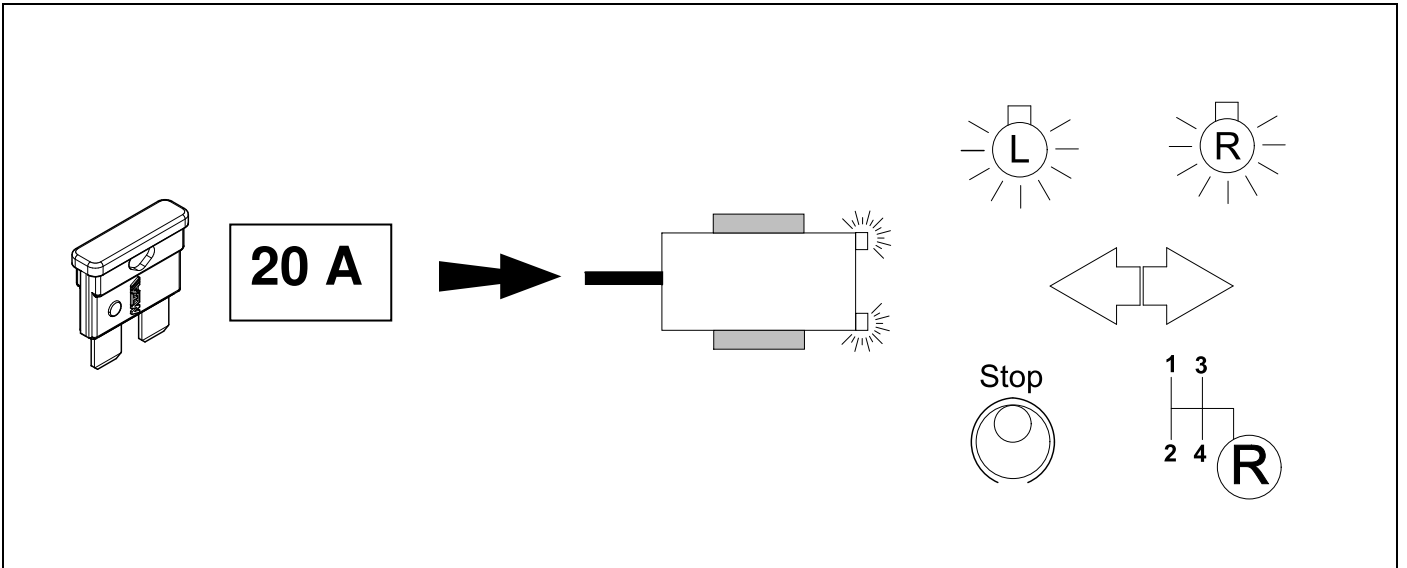


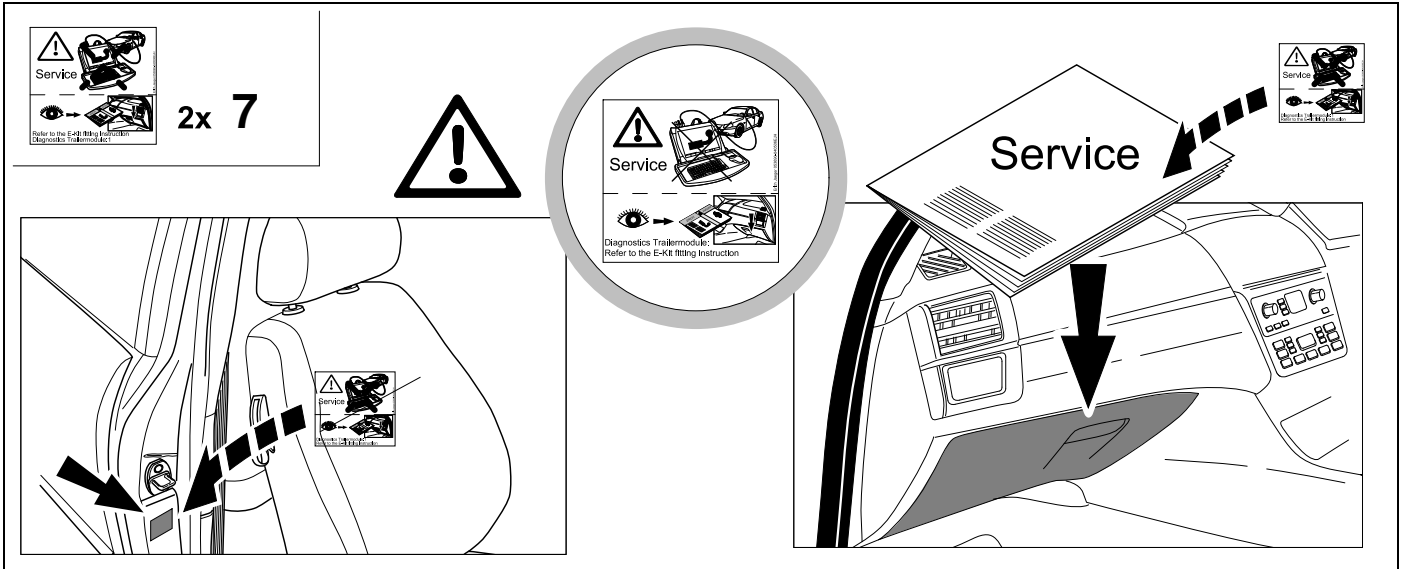
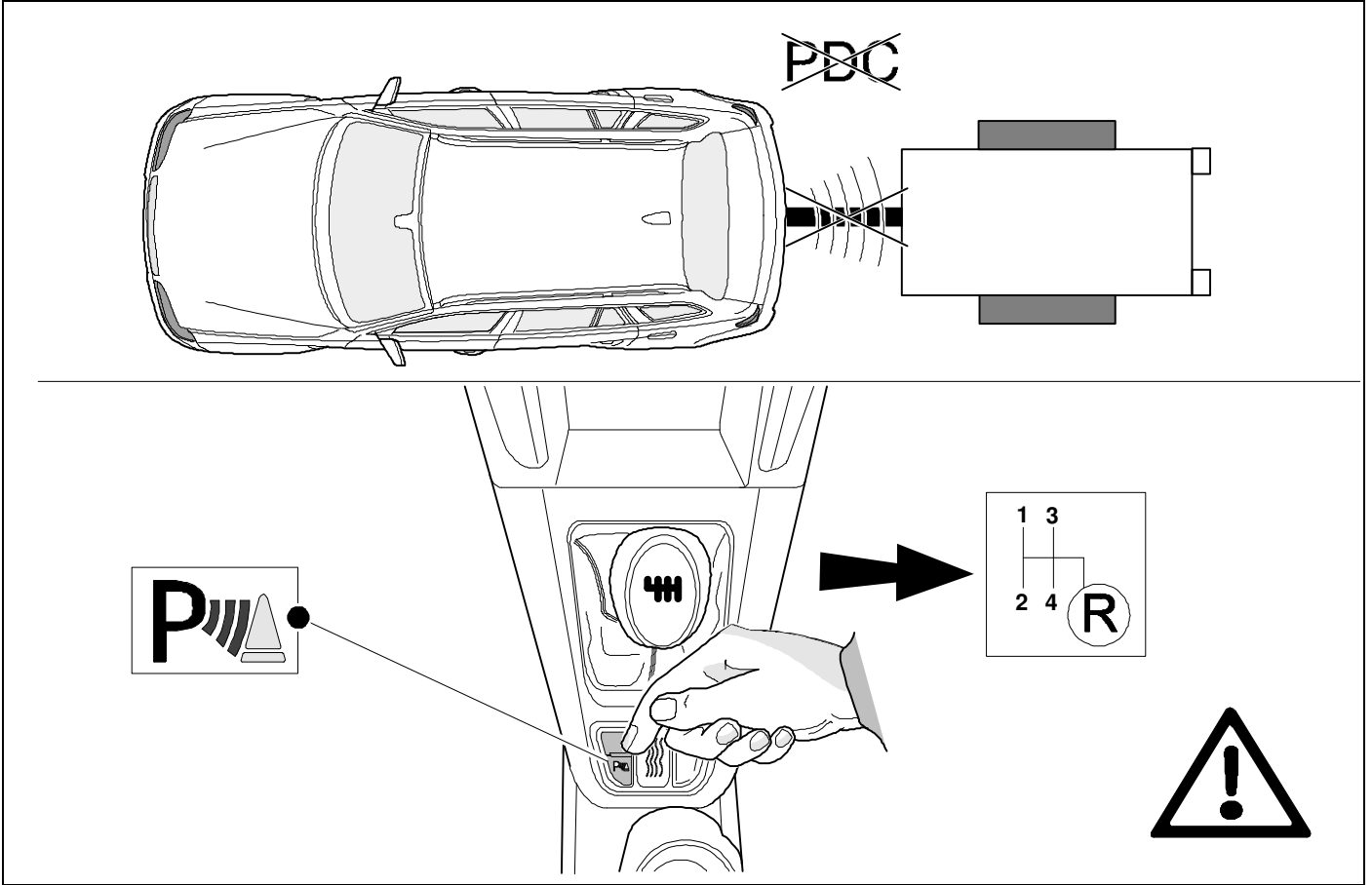
18



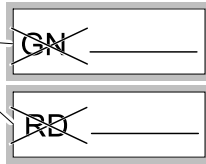
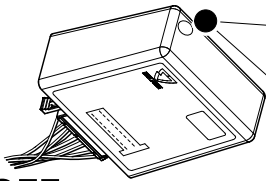
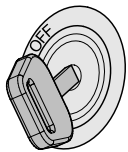
19

Eye icon ⇒ 14





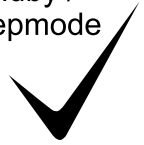
**Operation support**



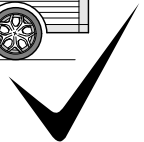
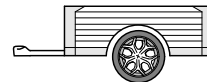
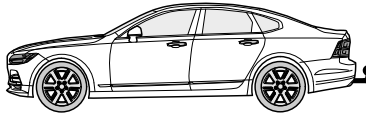
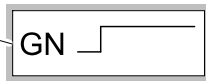
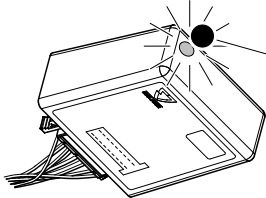
**No CAN-Data** =



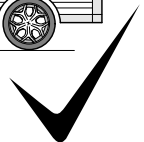
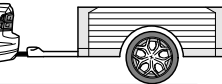
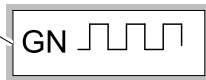
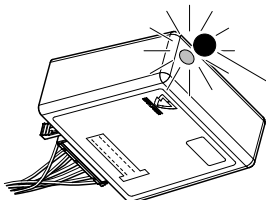
Standby / Sleepmode



**Ignition OFF**



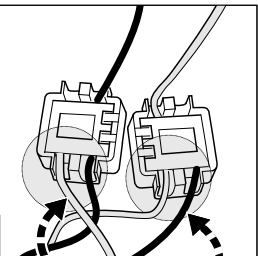
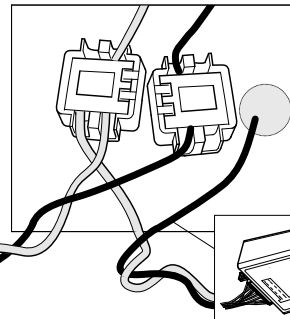
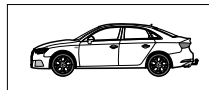
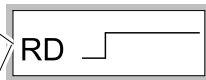
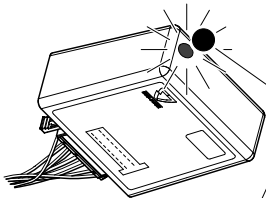
**Ignition ON**



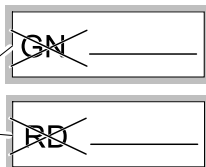
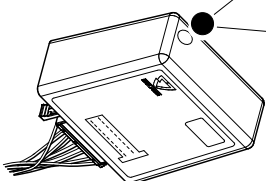
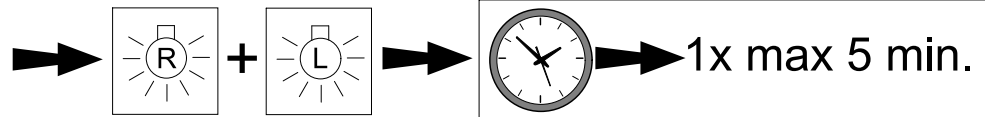
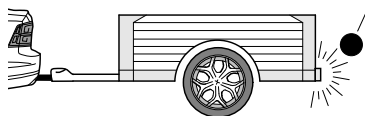
**Ignition ON**

**Failure support**

**Check CAN-Data Wire**



**Ignition ON**

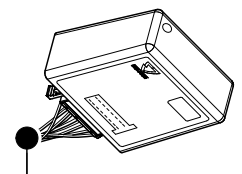
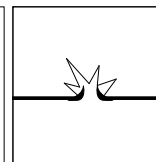
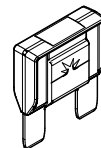
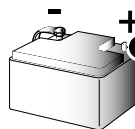


**PIN 17**

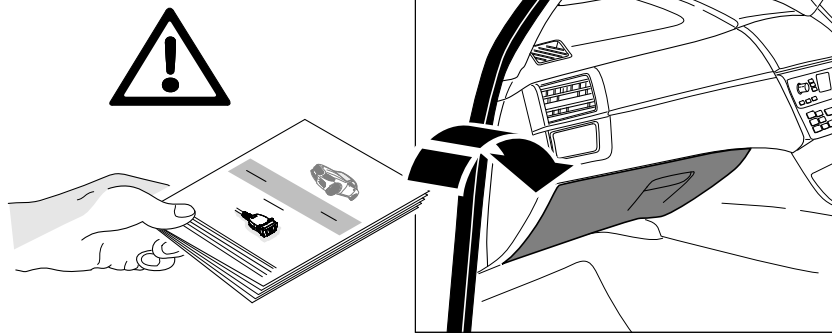
oder / or



**PIN 1**



**Ignition ON**



Subject to change in terms of construction, equipment and colour, and may contain errors.  
The information and illustrations are non-binding.