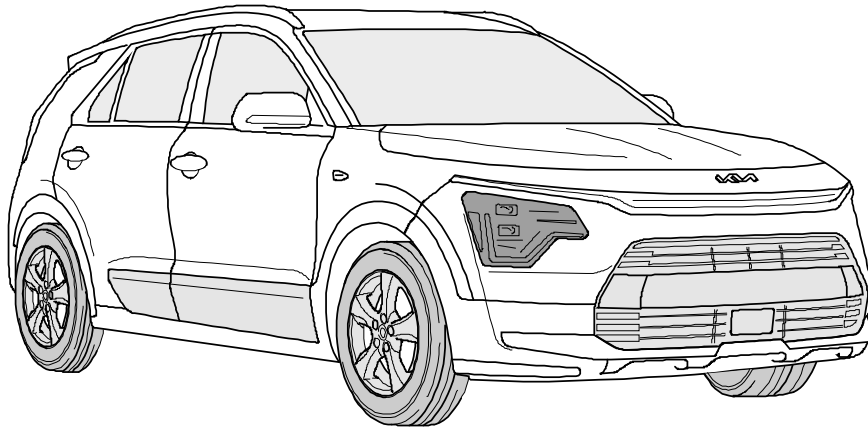




ERICH JAEGER

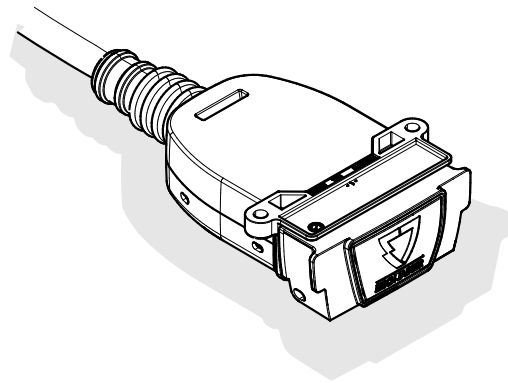
# Installation instructions



## 750158EJ

### KIA Niro EV / HEV / PHEV

01/22 >>



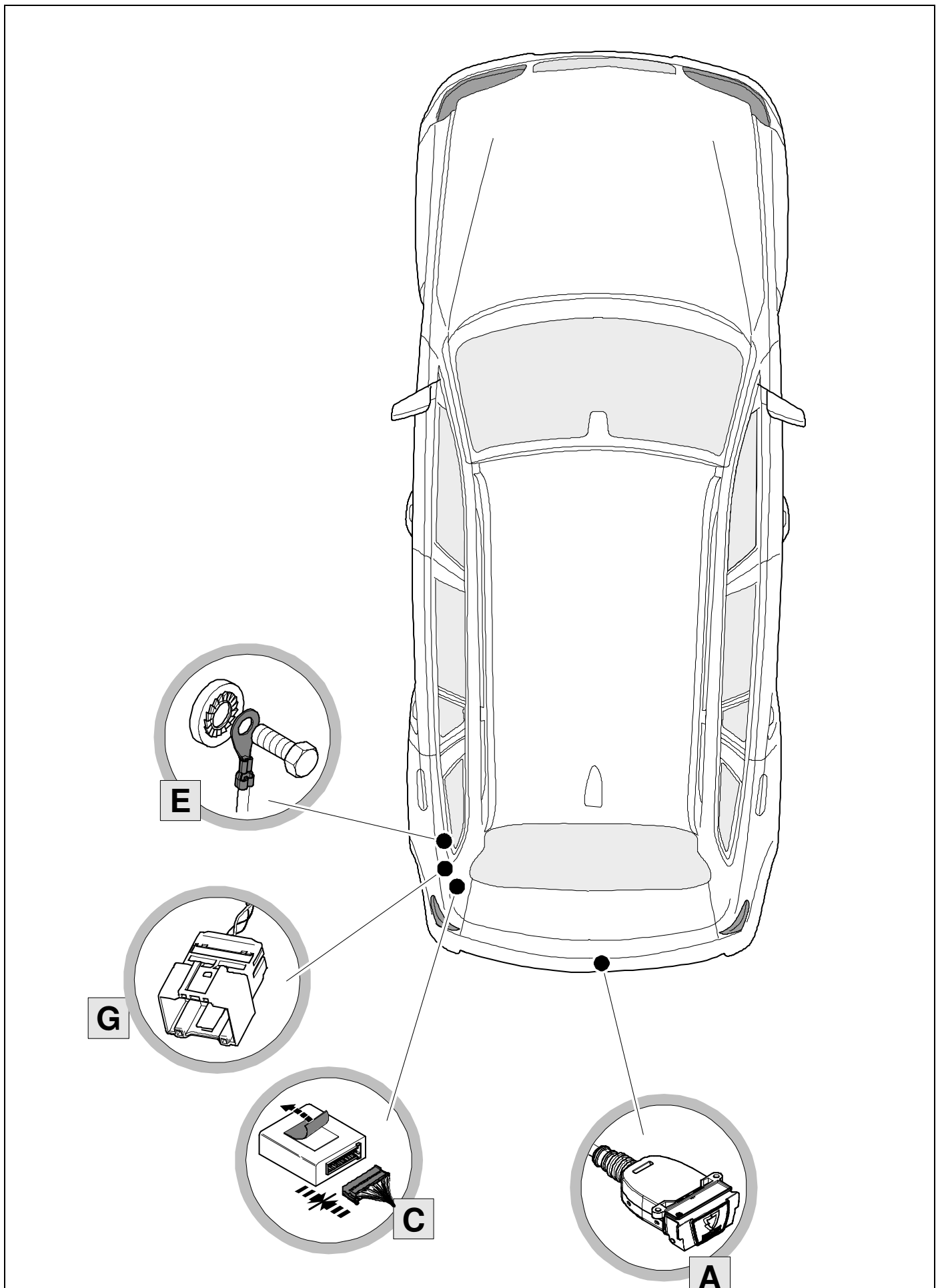
<p><b>BRAKE CONTROLLER PREPARED</b></p>	<p><b>TRAILER BULB OUT DETECTION</b></p>	<p><b>SELF-DIAGNOSTIC CAN-BUS ECU</b></p> <p>JaegerCANtrol™</p>	<p><b>MADE TOUGH WITH JAEGER FIBRE TECHNOLOGY</b></p>	
<p><b>LED BULB</b></p>	<p><b>AUTOMATIC TRAILER DETECTION</b></p>	<p><b>WATERPROOF SOCKET INCLUDED</b></p> <p>WEATHERLOCK™</p>	<p><b>AUTOMATIC PDC DEACTIVATION</b></p>	<p><b>EV COMPATIBLE</b></p>

### Reference:

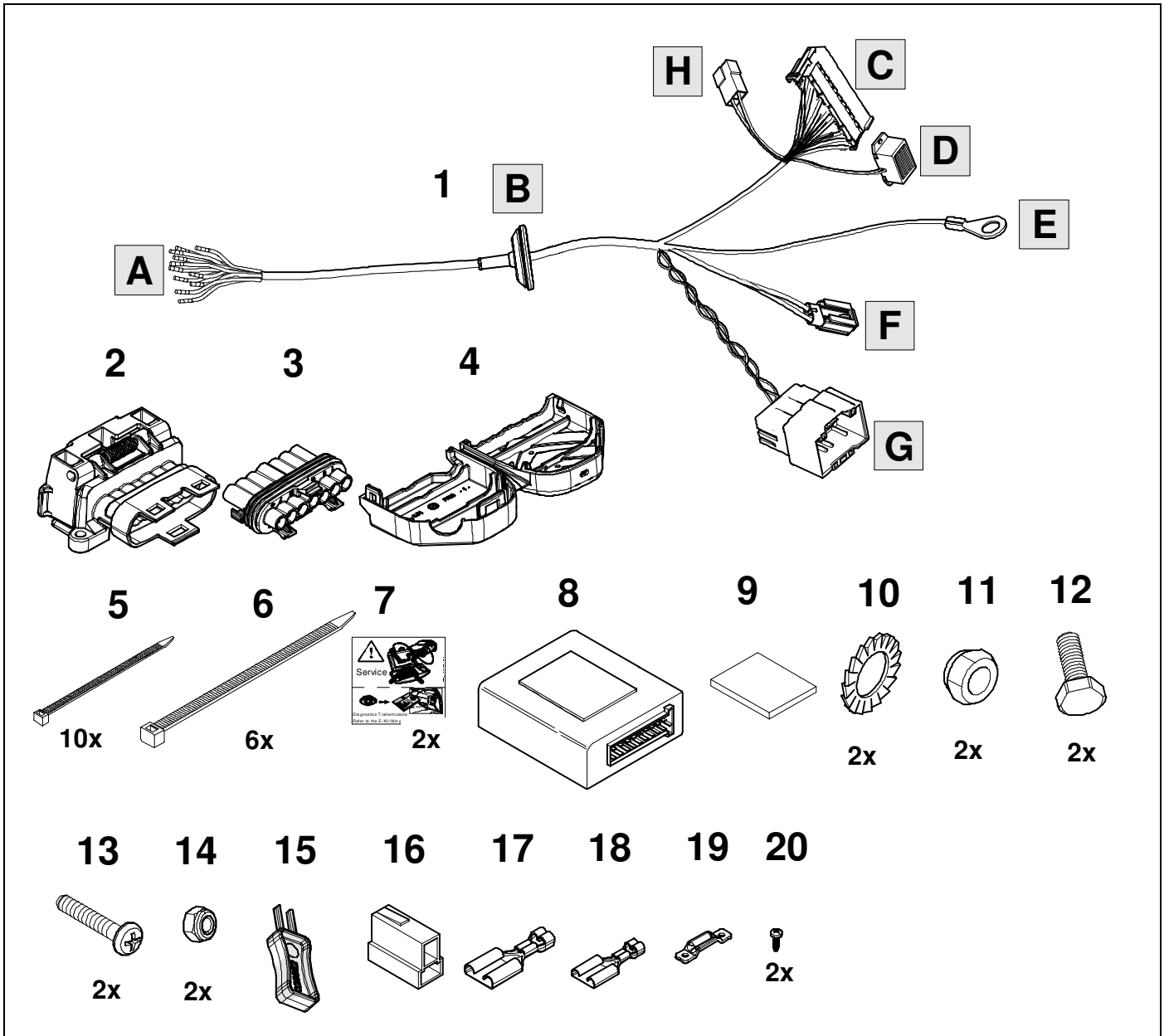
The following information must be reviewed before beginning the assembly:

- The installation instructions are to be thoroughly read.
- The installation should be carried out by qualified personnel with the relevant technical knowledge.
- The vehicle manufacturers' current technical notices and information on retrofitting must be followed.
- The removal and replacement instructions found in the current repair manuals must be followed.
- It must be ensured that the vehicle is technically suitable for the installation of a trailer hitch.

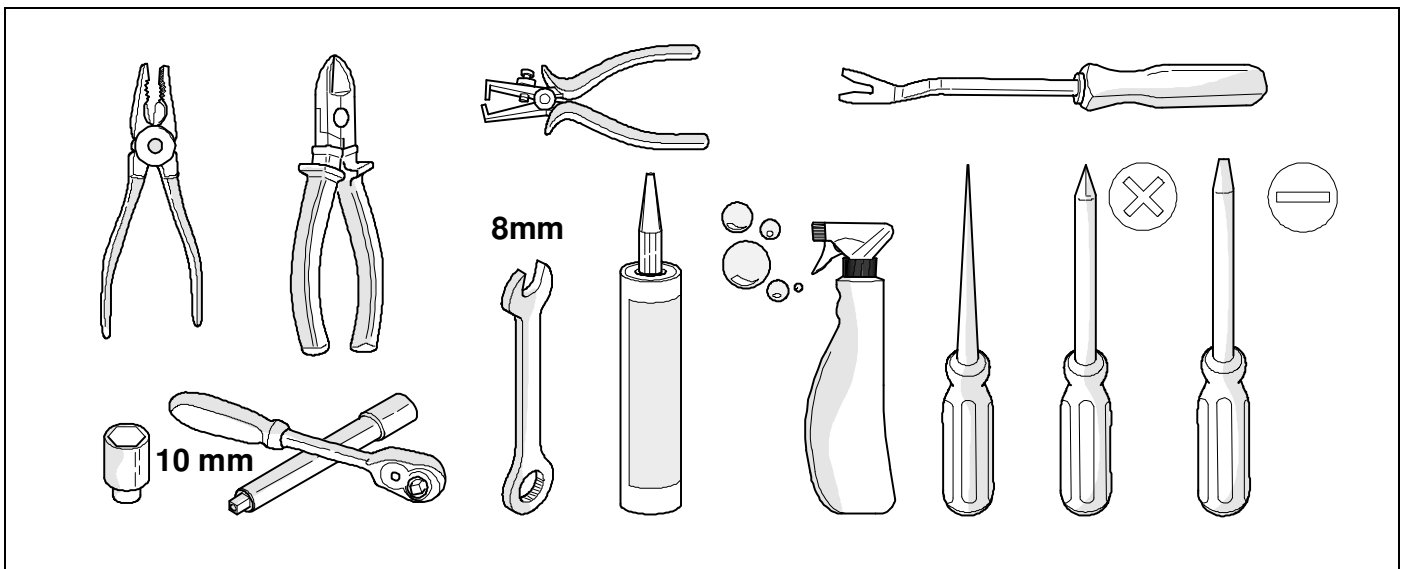
# OVERVIEW



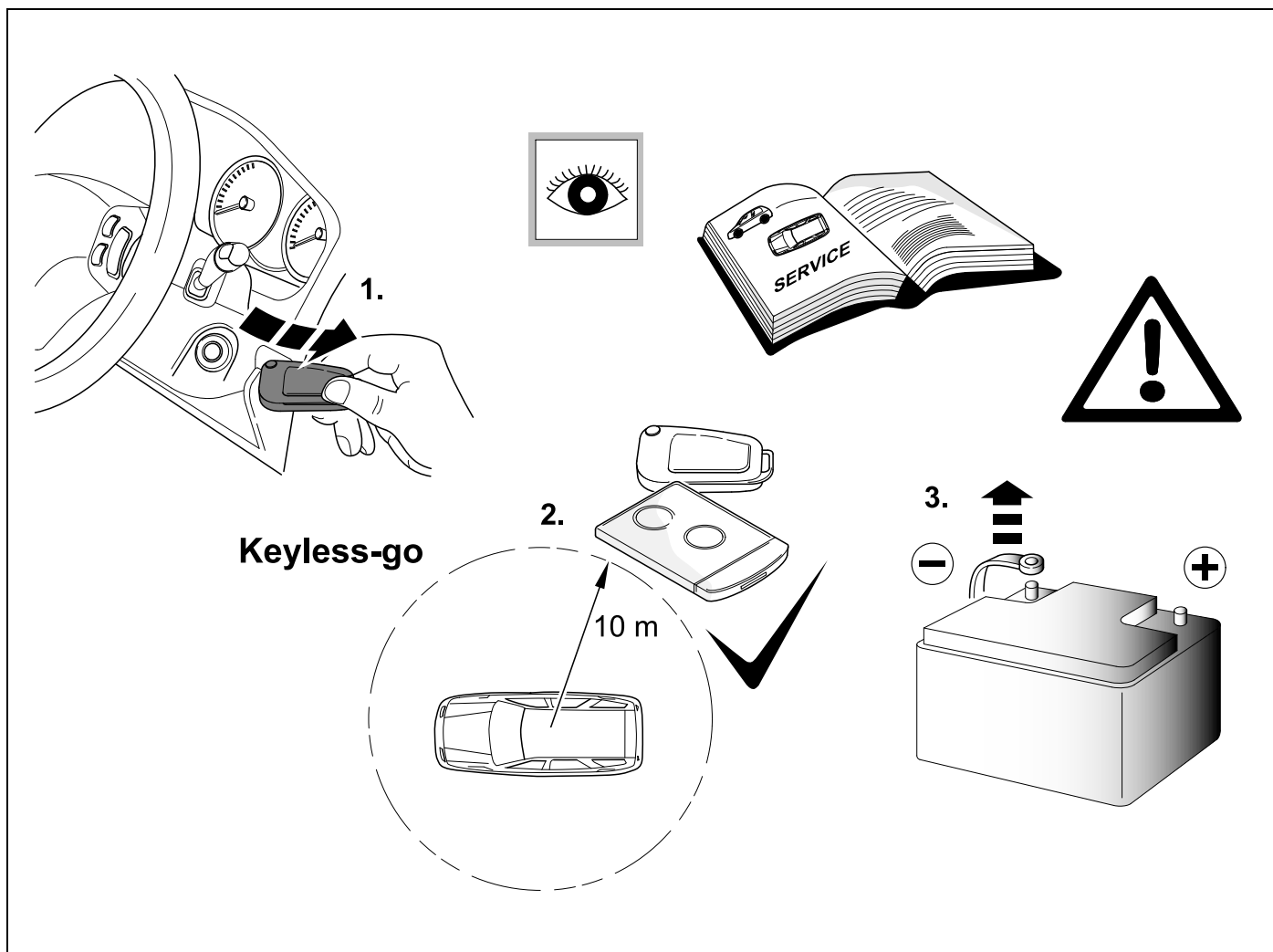
# KIT

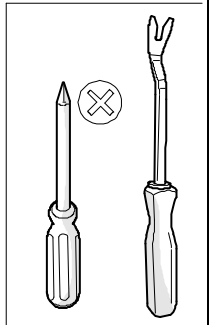
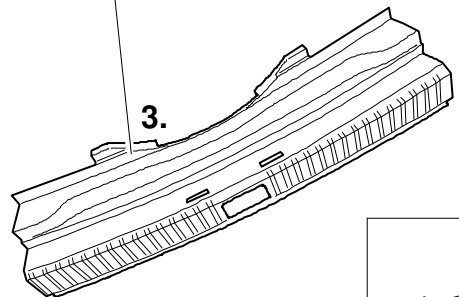
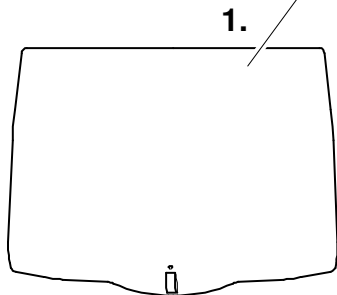
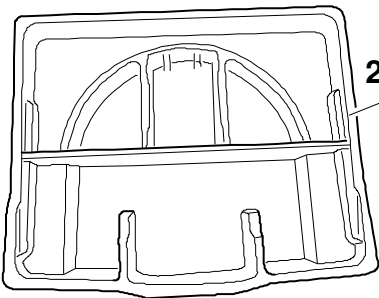
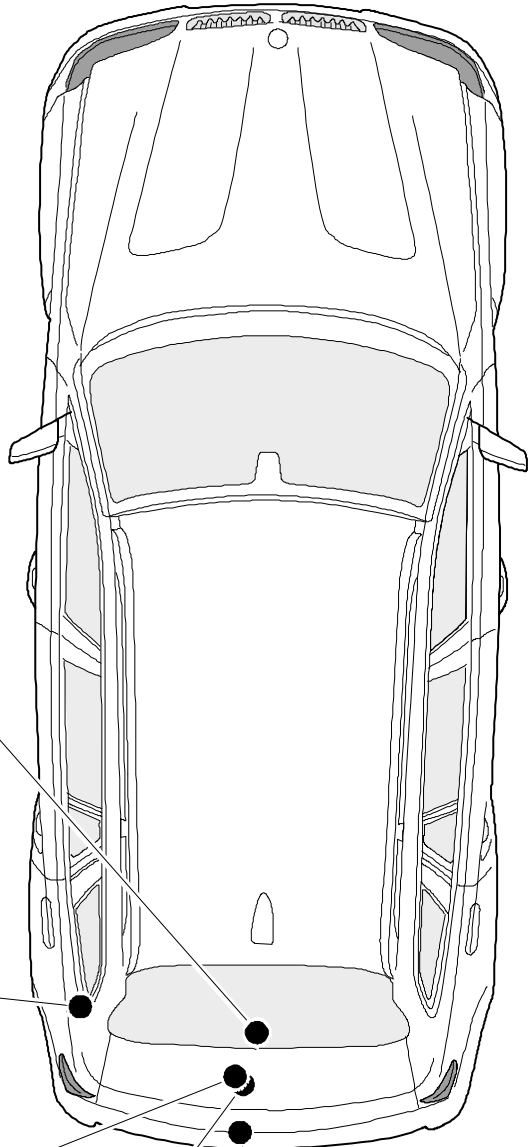
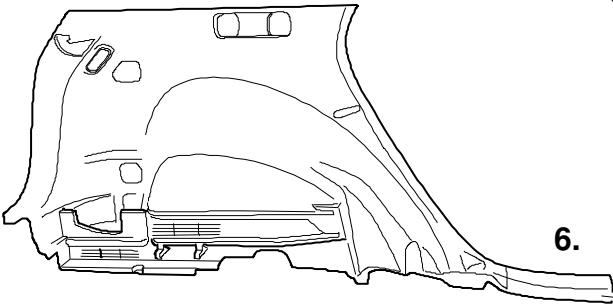
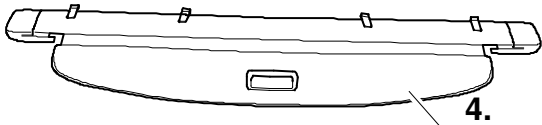
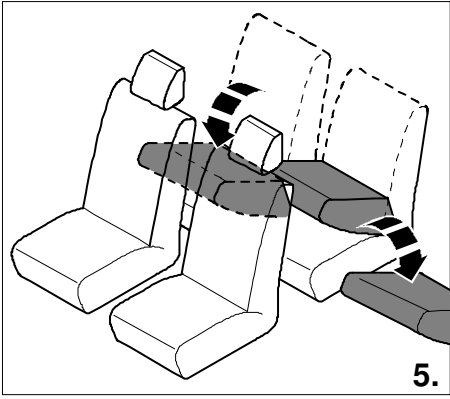


# TOOLS

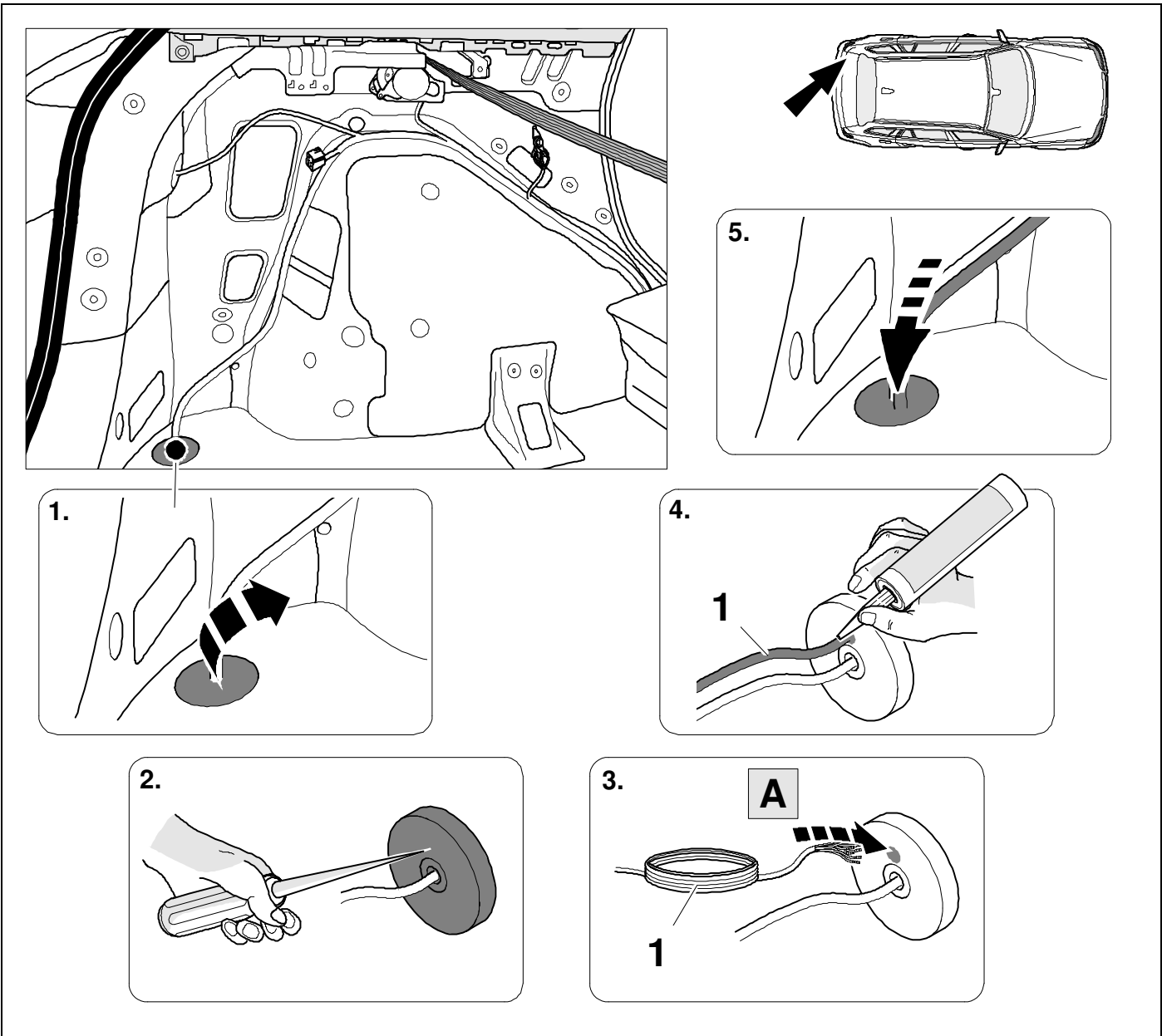


1

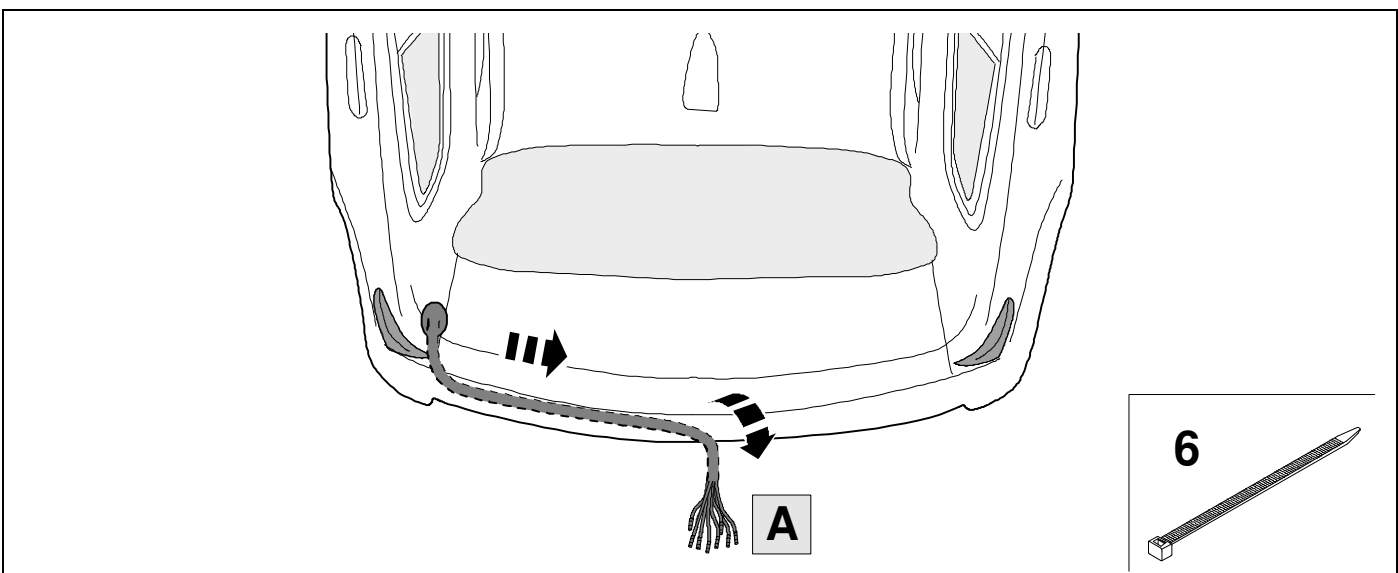


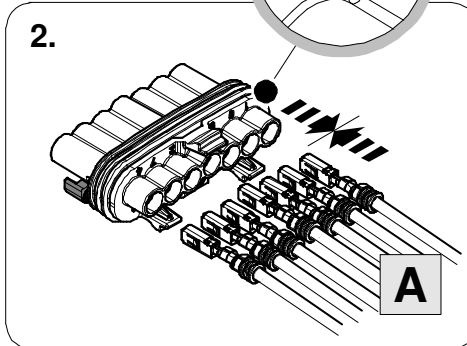
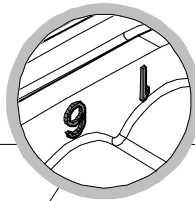
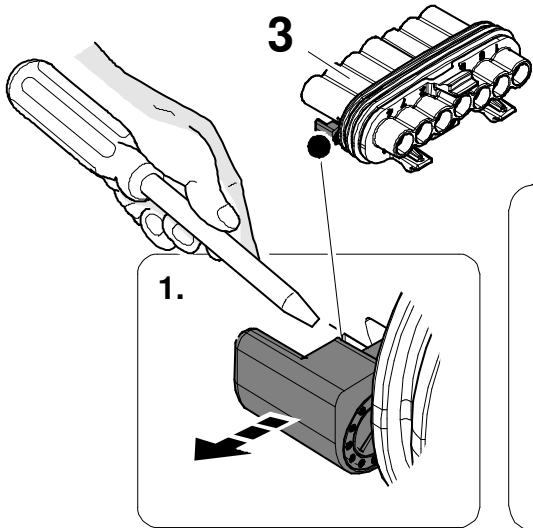


3

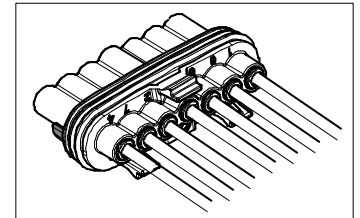
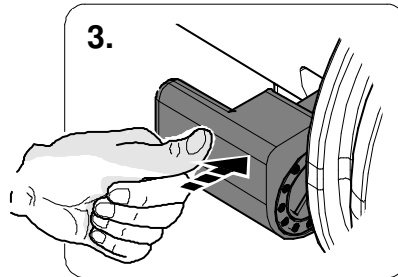
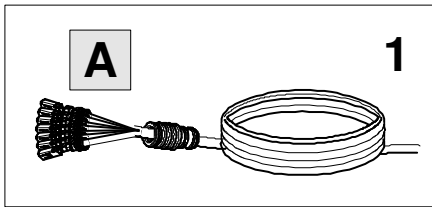


4

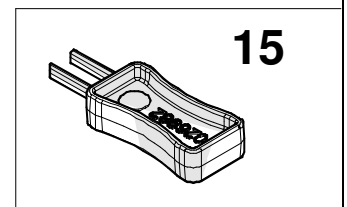
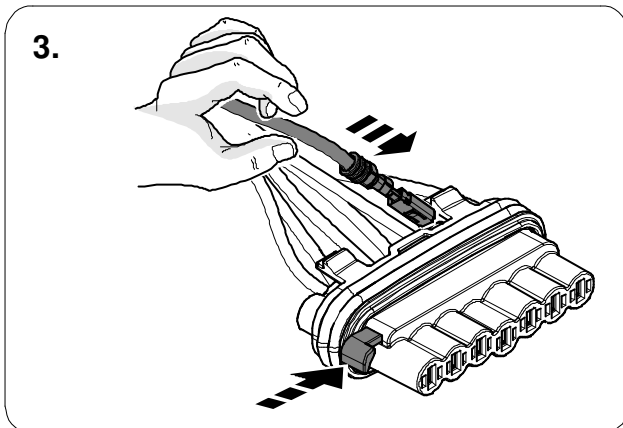
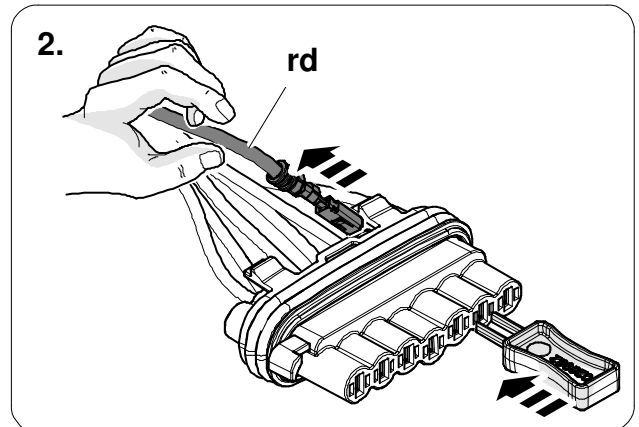
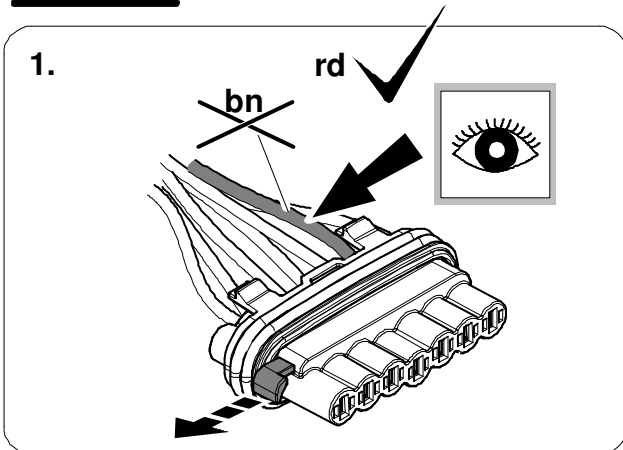




ye	1	
rd	6	
bu	5	
wh	3	
bk	2	
bn	7	
gn	4	



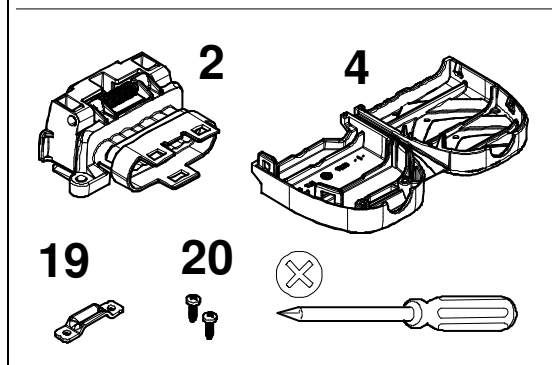
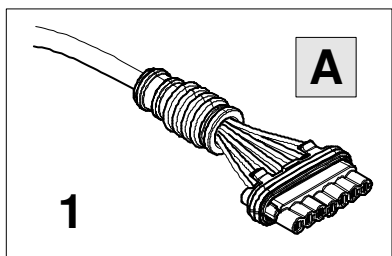
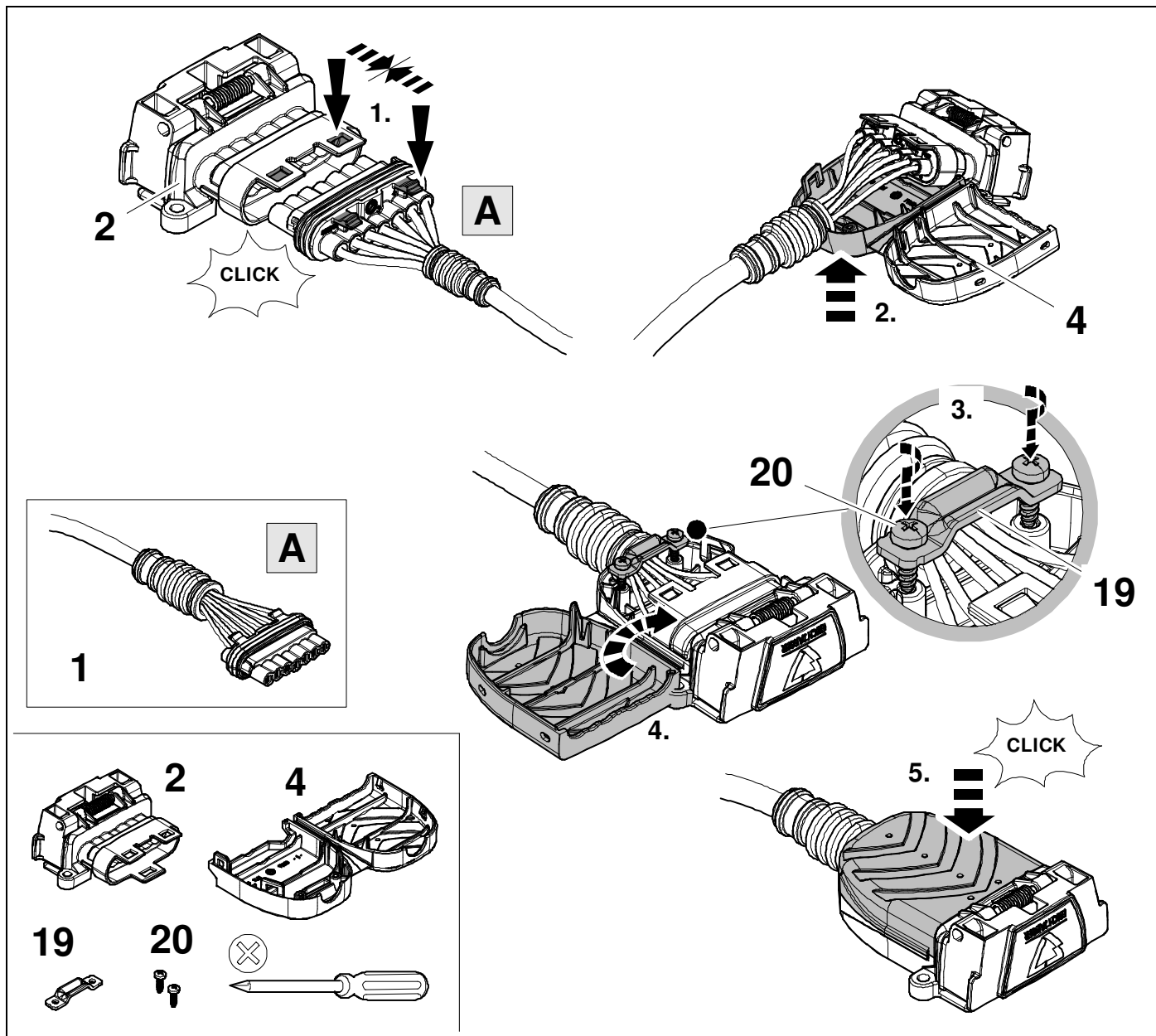
**In case of wrong pin insert:**



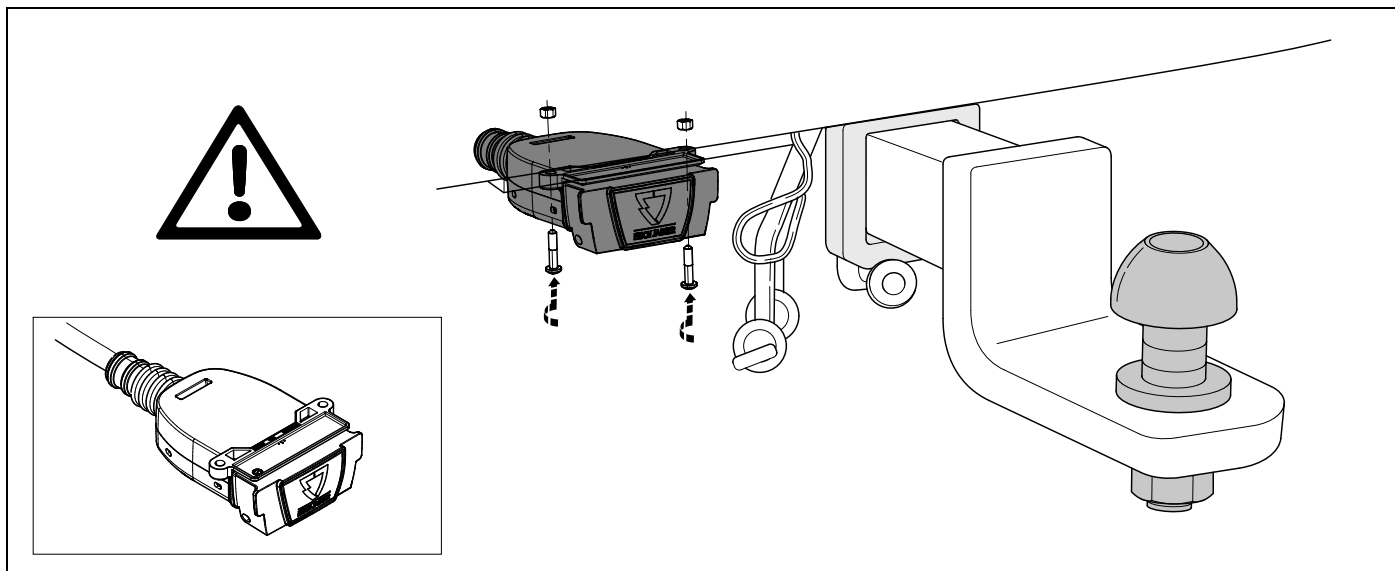
6



8



7





8



9

1	ye	
2	bk	
3	wh	
4	gn	
5	bu	
6	rd	
7	bn	

9	bk	wh	gy	gn	rd	bu	ye	bn	pu	or	no
---	----	----	----	----	----	----	----	----	----	----	----

	black	white	grey	green	red	blue	yellow	brown	purple	orange	not occupied
--	-------	-------	------	-------	-----	------	--------	-------	--------	--------	--------------

10

Nut included when an earth stud is available or more convenient.

**11**

**10** **12**

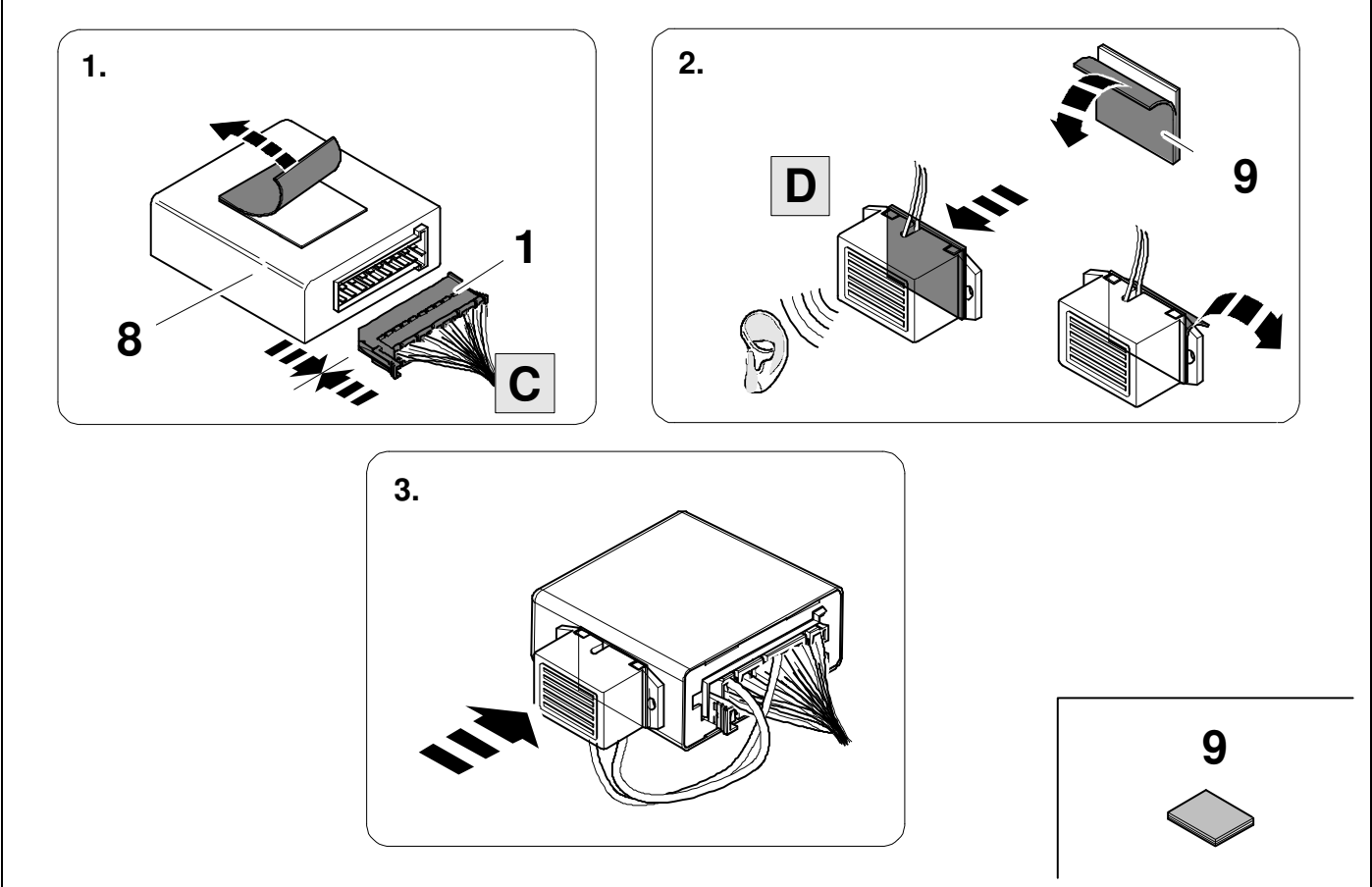
**E**

10 mm

11



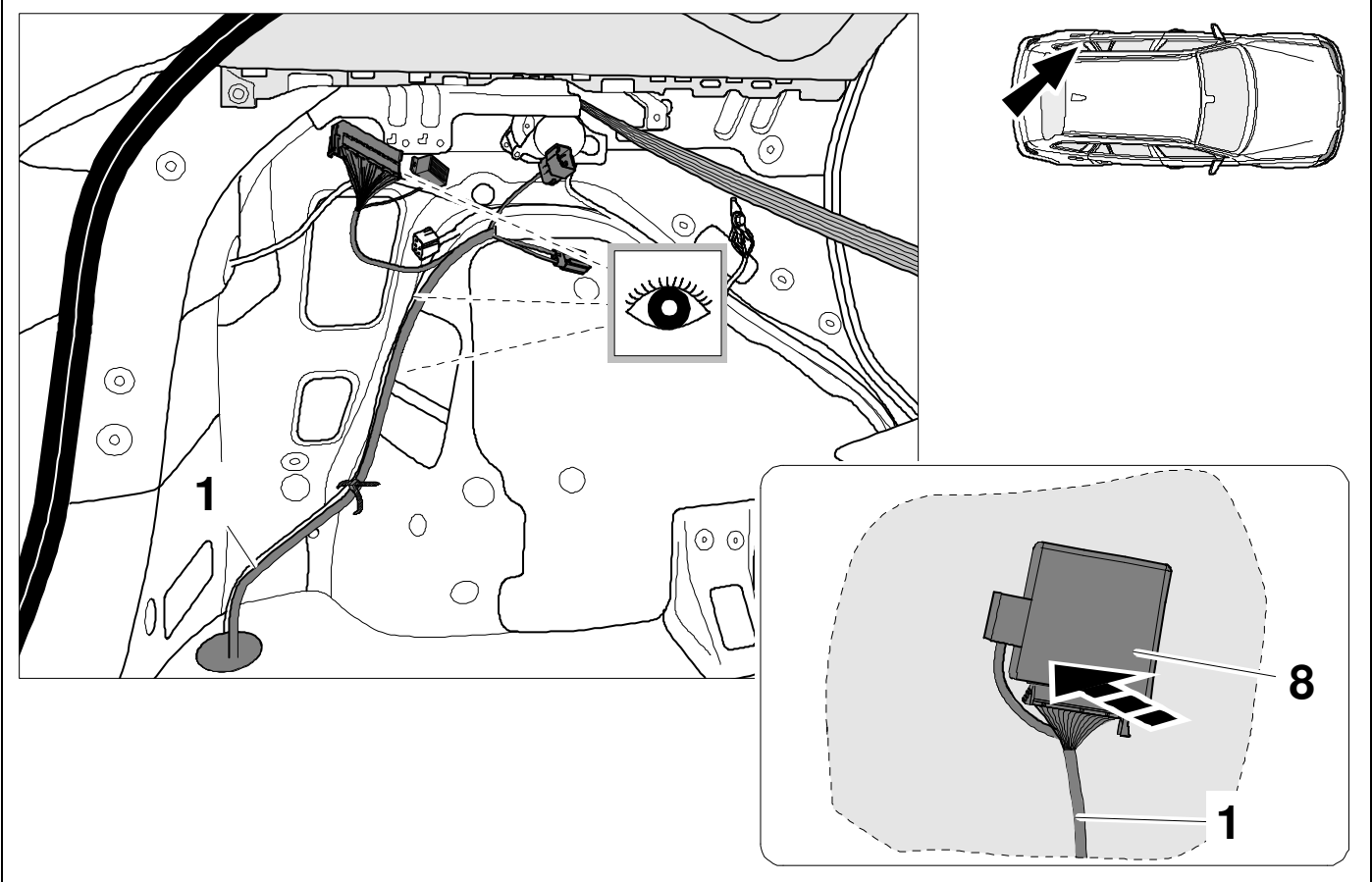
9



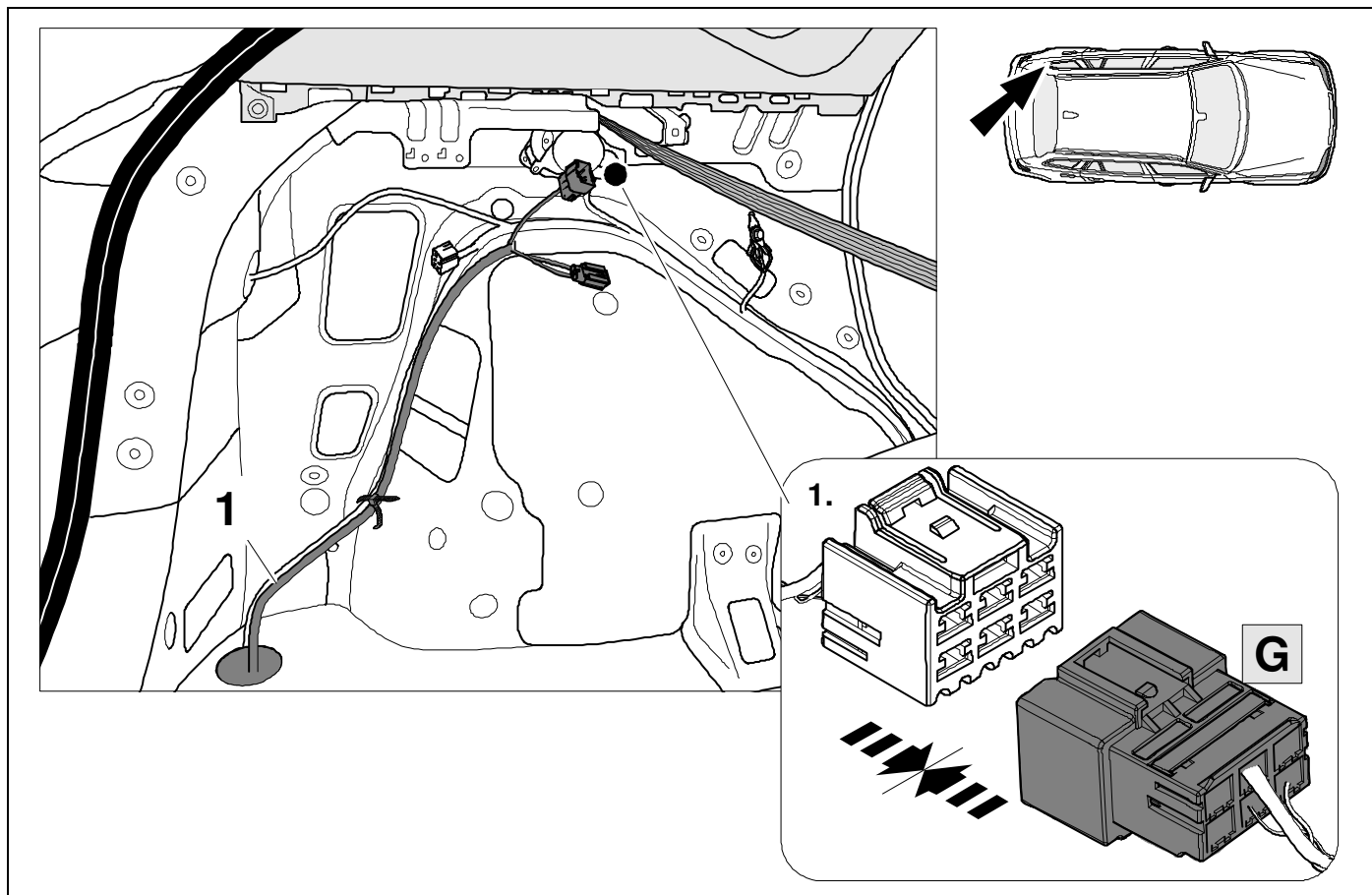
12



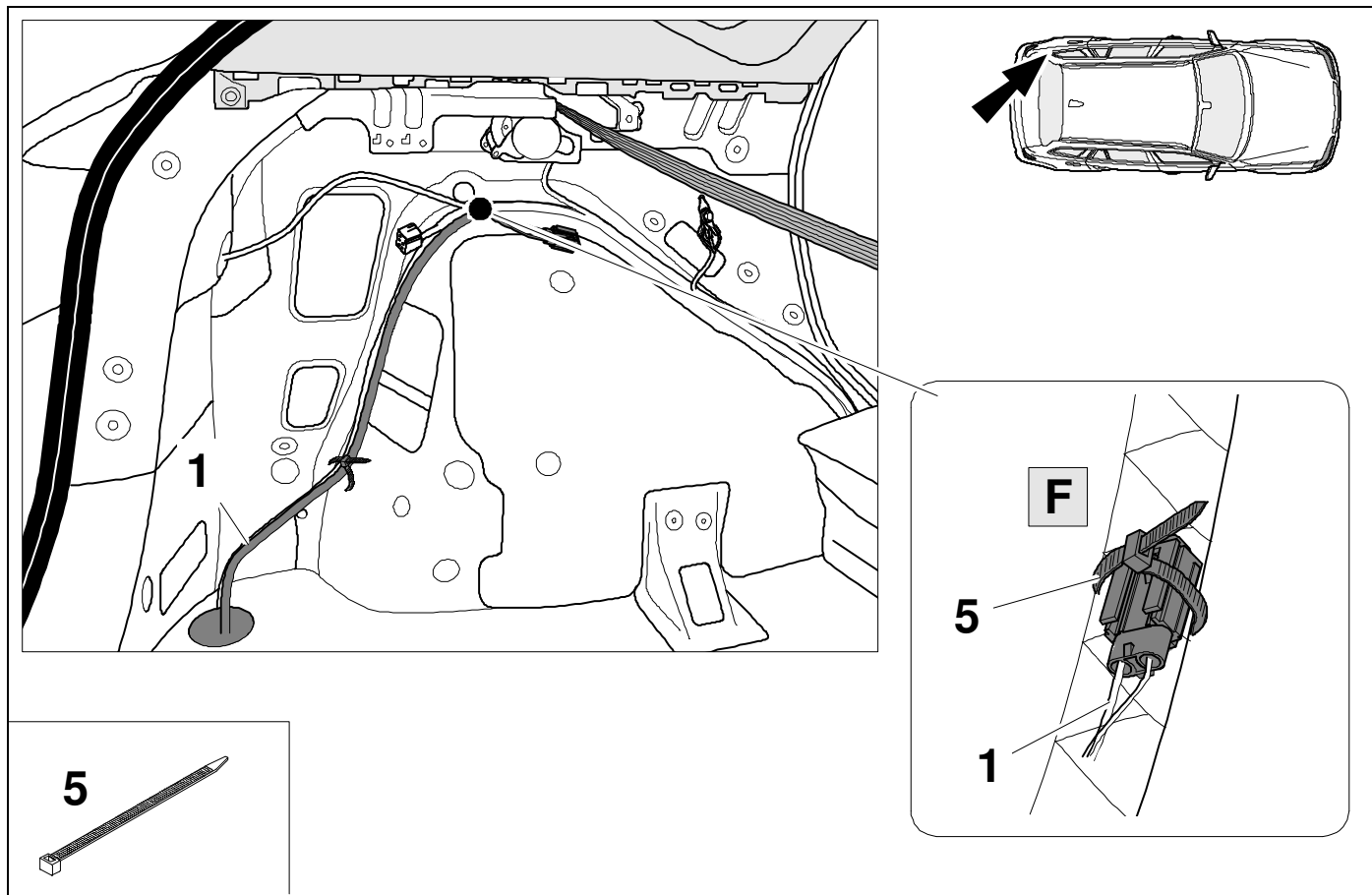
9



13

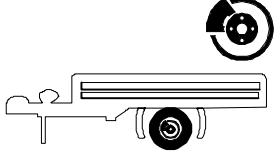


14

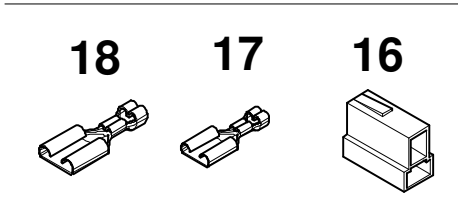
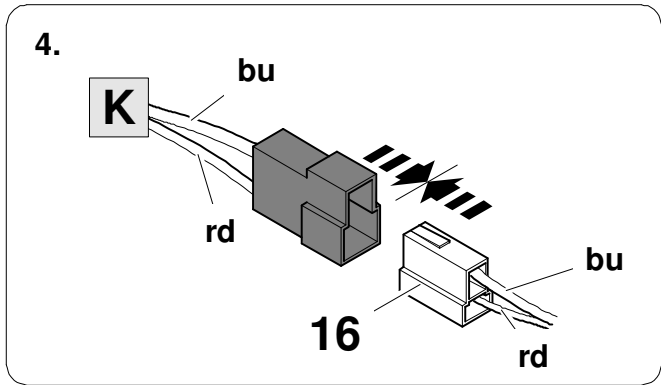
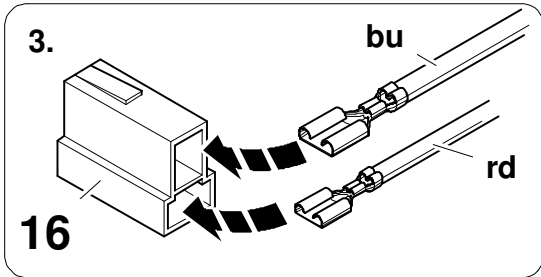
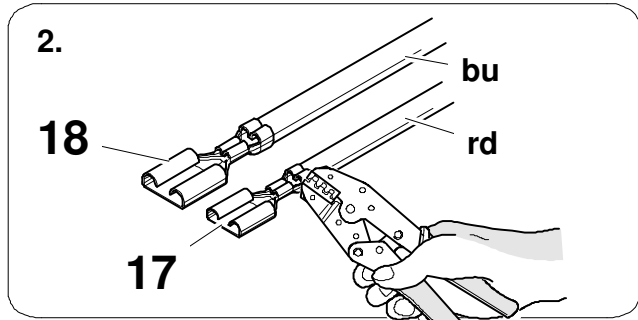
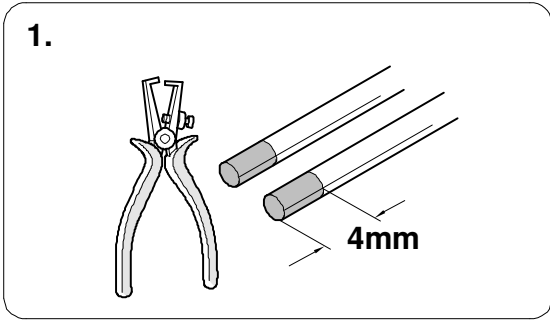
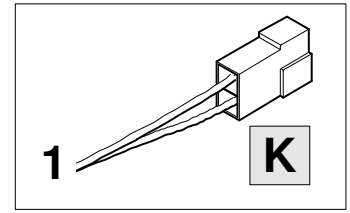




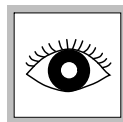
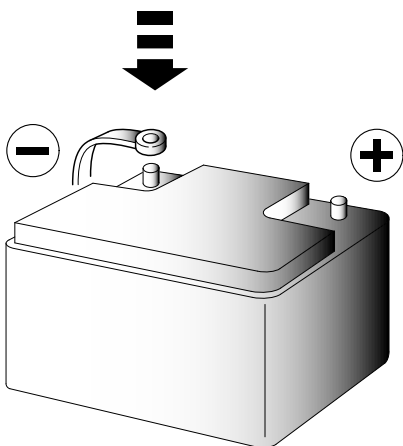
**BRAKE  
CONTROLLER  
PREPARED**



### Trailer Brake Preparation

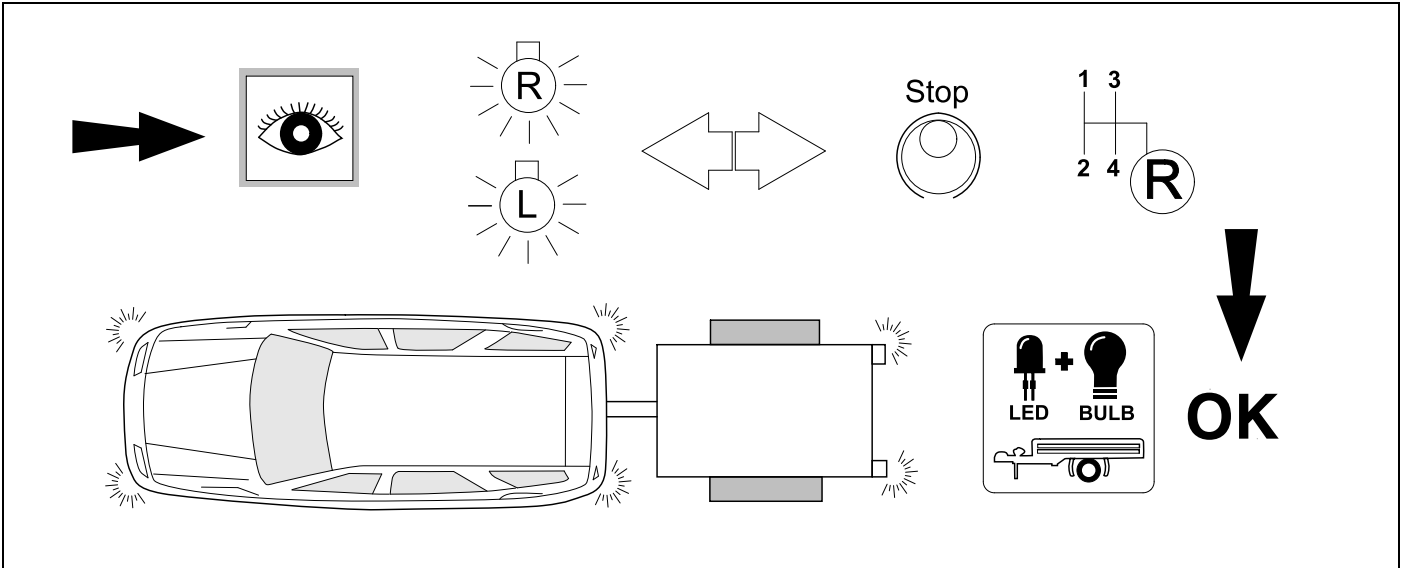


16

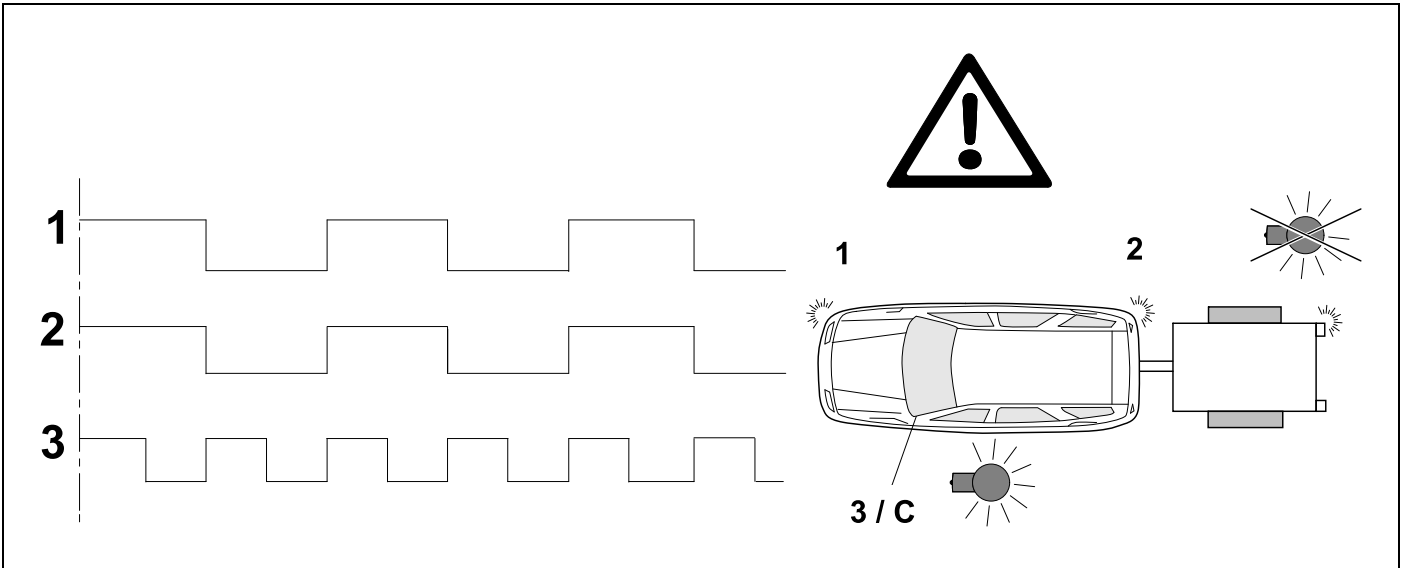


17

# CHECK ALL LIGHTING FUNCTIONS

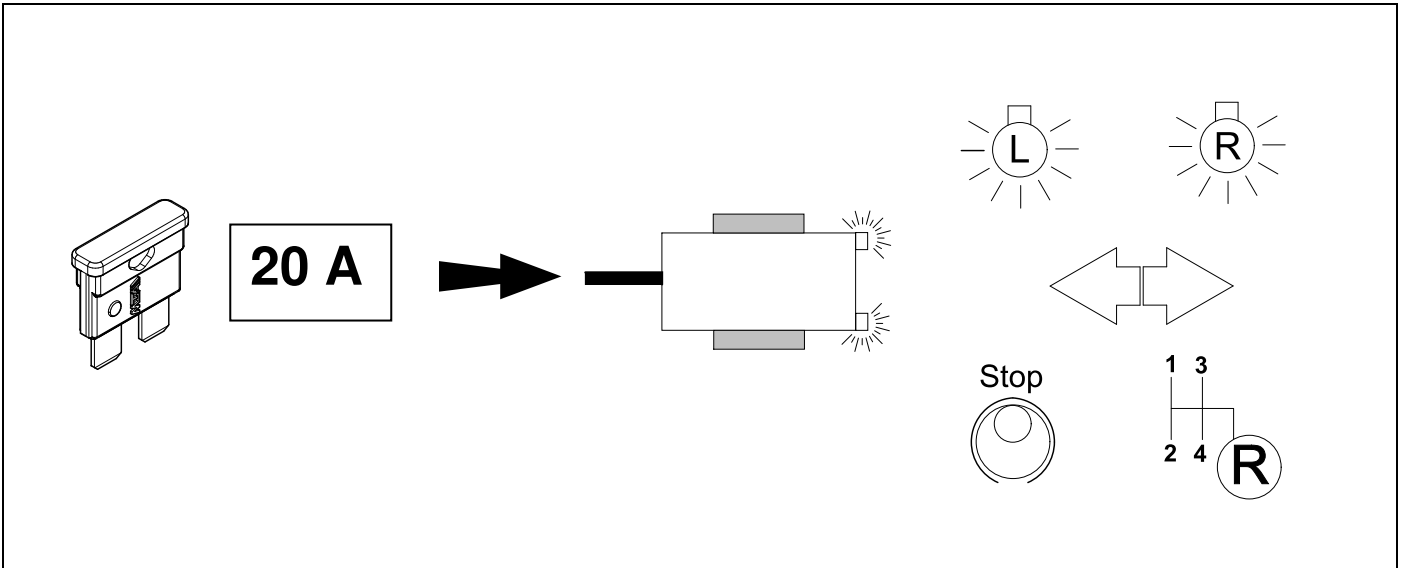


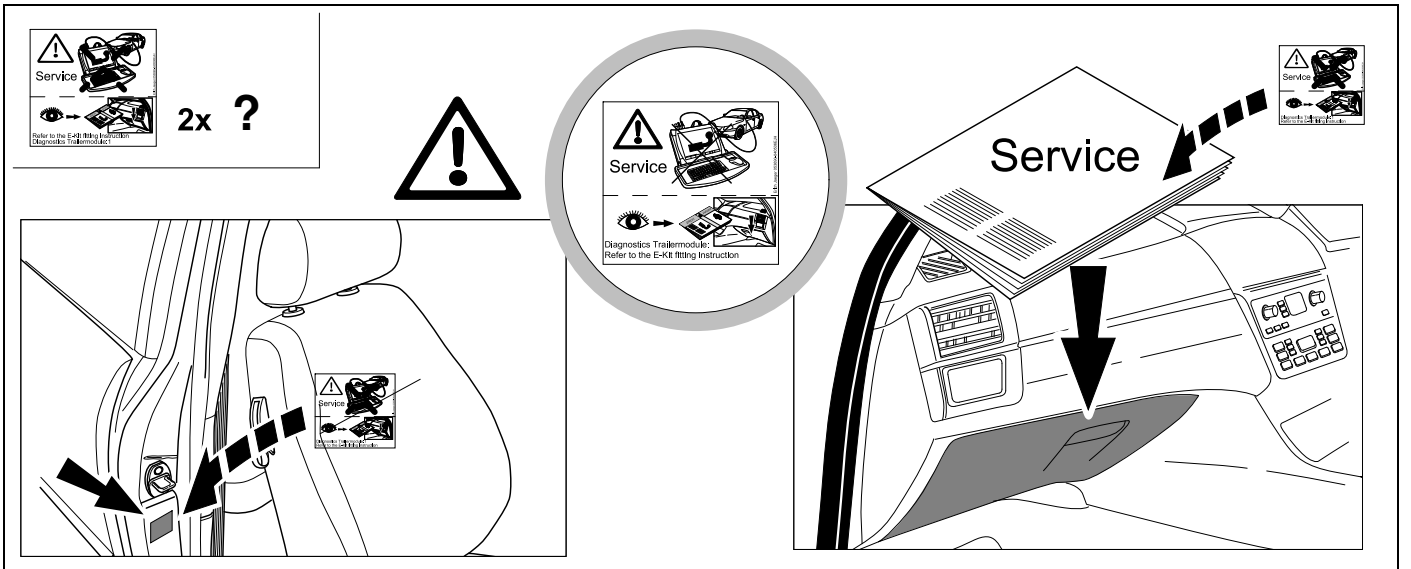
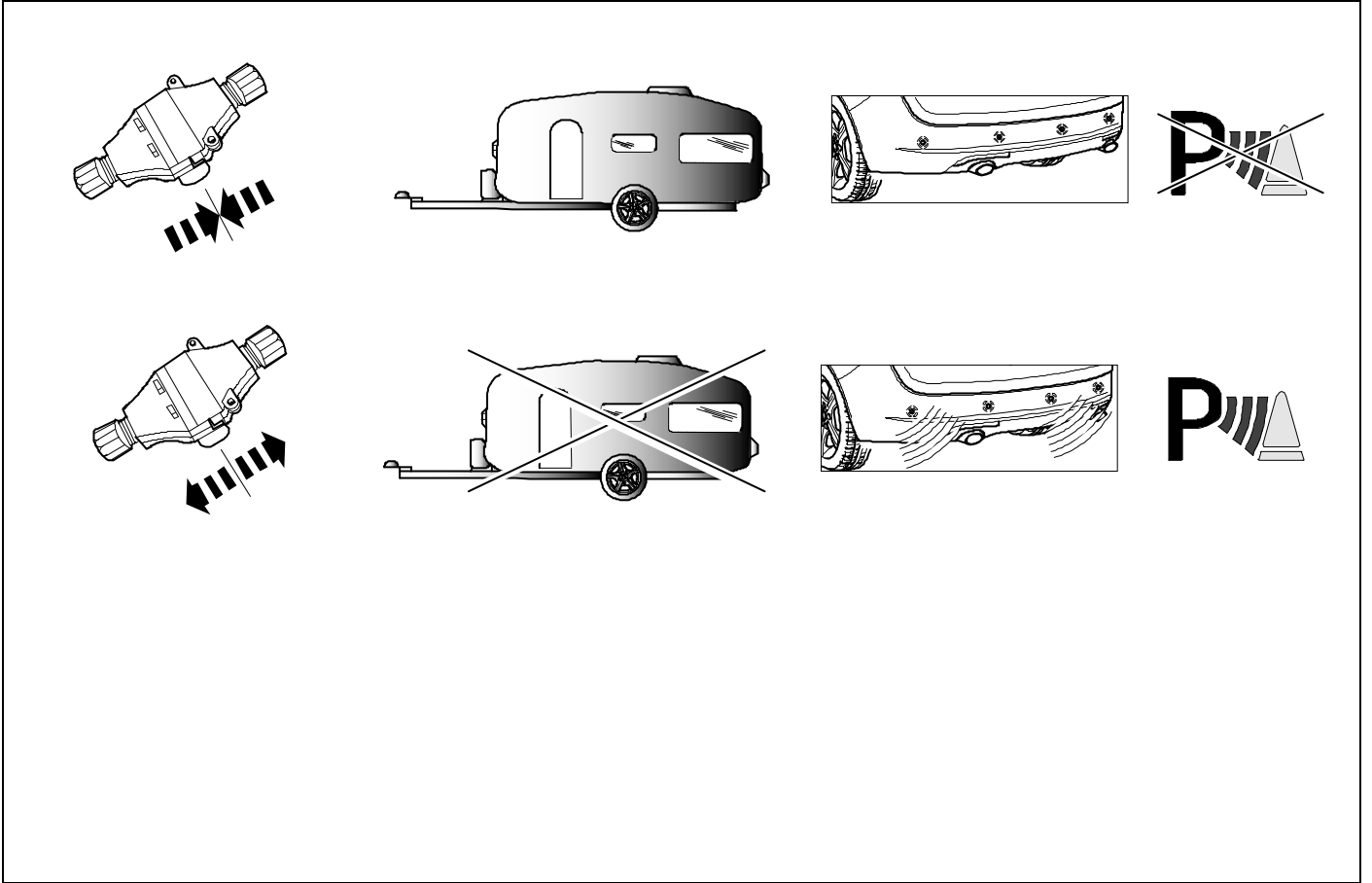
18



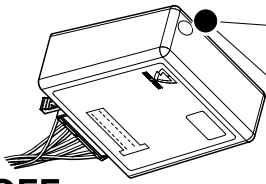
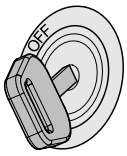
19

Eye icon ⇒ 14





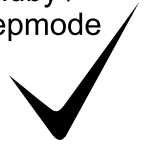
### Operation support



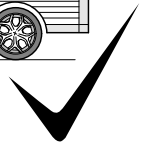
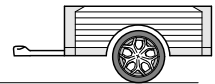
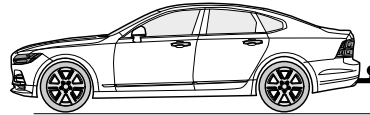
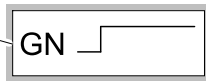
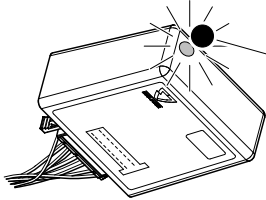
No CAN-Data =



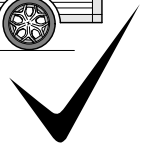
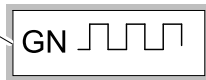
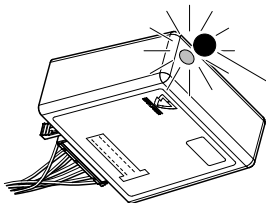
Standby / Sleepmode



Ignition OFF



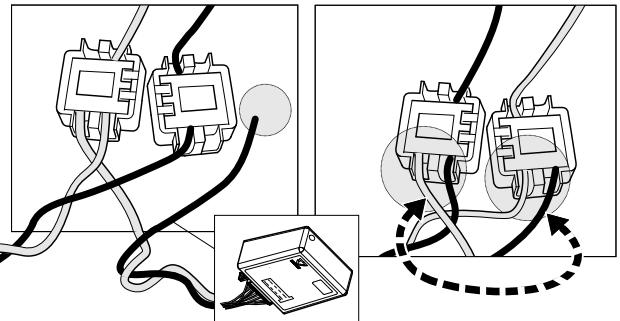
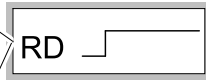
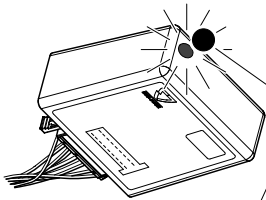
Ignition ON



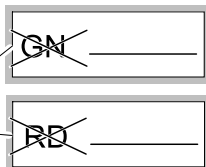
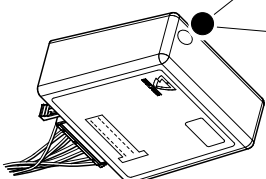
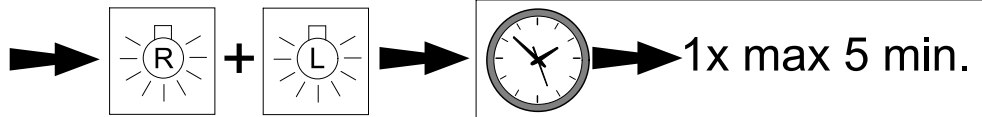
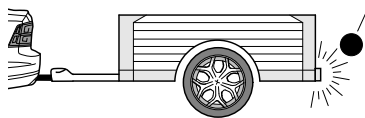
Ignition ON

### Failure support

Check CAN-Data Wire



Ignition ON

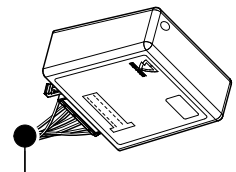
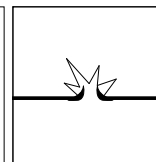
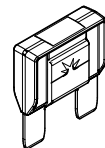
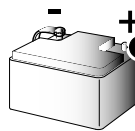


PIN 17

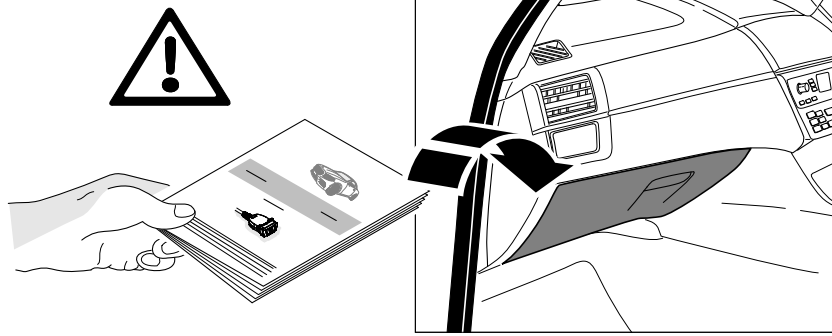
oder / or



PIN 1



Ignition ON



Subject to change in terms of construction, equipment and colour, and may contain errors.  
The information and illustrations are non-binding.