



Towbar Fitting Instructions  
To Suit BMW 3 SERIES 5/91-2/95  
Part Number BM2

Ratings 325i = 1400Kg - 318i = 1200Kg - 320i = 1300Kg

1. Ensure all hardware items have been included.
2. Do not disconnect battery from vehicle as this may upset electronic equipment.
3. Remove boot floor mat and all boot trim panels.
4. Remove spare wheel and jack.
5. Remove bumper bar.
6. Remove bumper bar mounting brackets and unscrew composite inserts.
7. Fit inserts from bumper mounting brackets to tube mountings of towbar.
8. Undo rubber exhaust mounts from boot floor and let muffler hang.
9. From inside boot drill three 12mm holes in each side member using centre pop marks and holes as guides in sub-frame.
10. Four rearward most holes to be through top and bottom panels of sub-frame.  
**NOTE:** Drill through heat shield.
11. Two forward most holes to be through top panel only.
12. Position towbar on vehicle.
13. On driver's side mark and drill two lower holes using towbar as guide.
14. Remove towbar.
15. Bolt two loose brackets to vehicle loosely (on passenger side) with wired bolts innermost side leave heat shield in position; hammer to body to engage nut.
16. Reposition towbar and fit remaining bolts as per drawing.
17. Refit exhaust.  
**NOTE:** Use water resistant sealant between towbar and vehicle body; also all external bolts.
18. Remove skirt from bumper.
19. Cut white fibreglass as per sketch.
20. Refit bumper and align by adjustment of composite inserts.
21. Using sketch as guide cut hole in lower panel.
22. Refit lower panel.
23. Fit forward most lug bolt by pulling skirt back to gain access to lug bolt hole.
24. Fit wiring plug to either bracket supplied which is attached by rearmost lug bolt or direct to bumper skirt.
25. Refit spare wheel, jack, boot floor mat and trim.
26. Tighten all bolts to torque listing below.

**SPECIAL TOOL NEED TO REMOVE BUMPER BAR : TORX 440-TX-50**

**RECOMMENDED ASSEMBLY TORQUE LISTING**

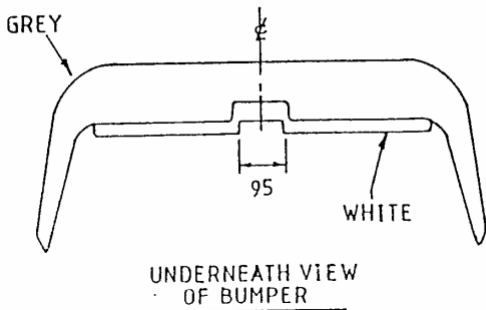
<u>Diameter</u>	<u>Grade 8.8 Bolt</u>
	<b>Nm</b>
M6	9.5
M8	21.7
M10	43.4
M12	77.3
M14	121.0
M16	189.8

# TRAILBOSS

## Towbar Fitting Instructions To Suit BMW 3 SERIES 5/91-2/95 Part Number BM2

Ratings 325i = 1400Kg - 318i = 1200Kg - 320i = 1300Kg

WITH BOTTOM BUMPER SKIRT REMOVED.  
CUT WHITE SECTION OF BUMPER  
95mm WIDE, HALFWAY TO GREY SECTION.



CENTRE LINE MARKED  
ON INSIDE OF  
BUMPER

BUMPER SKIRT CUT OUT  
TO SUIT TOWBAR

