



Towbar Fitting Instructions
To Suit
MITSUBISHI MAGNA SEDAN 4/96-9/05
Part Number CL75
Rating 1250Kg

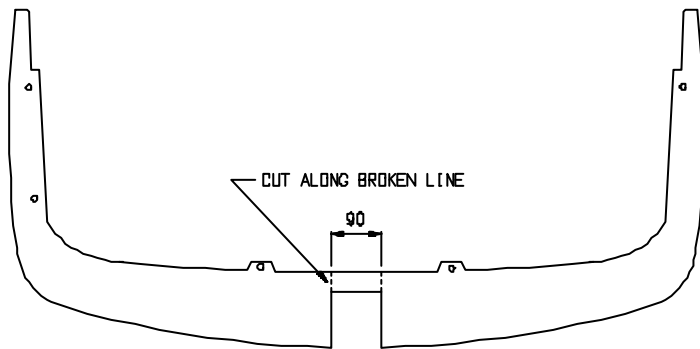
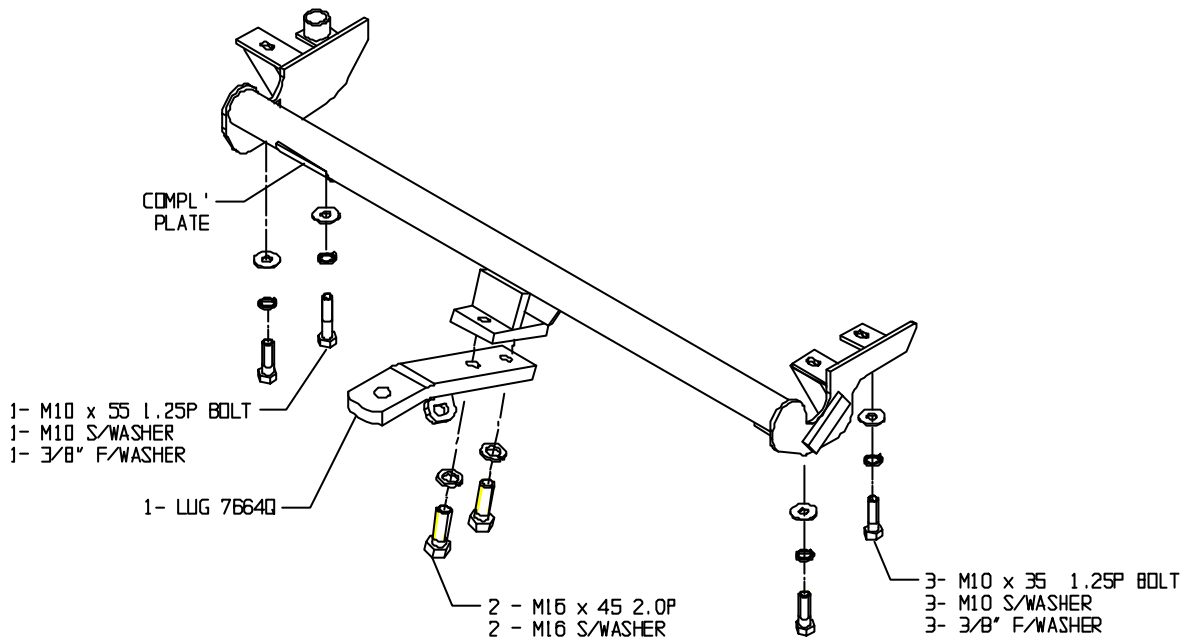
1. Remove rear muffler from three rear most rubber hangers.
2. From under vehicle remove four bumper arm mounting bolts from sub frame (two a side).
3. Remove muffler heat shield.
4. Remove two plastic trim buttons that hold bumper to spare wheel well.
5. Cut bumper as per diagram, models 4/96 – 6/03.
6. Fold metal trim button tabs up so as they are vertical with spare wheel well.
7. With caution so as not to mark bumper fit towbar up on driver's side first pulling bumper rearward and fit in between spare wheel well and bumper.
8. Hold towbar up as high as possible and fold metal trim button tabs back down to horizontal.
9. Align towbar with holes in bottom of sub frame, fit all bolts as per sketch.
10. Tighten all bolts to torque listing below.
11. Refit heat shield and muffler.

RECOMMENDED ASSEMBLY TORQUE LISTING

<u>Diameter</u>	<u>Grade 8.8 Bolt</u>
	Nm
M6	9.5
M8	21.7
M10	43.4
M12	77.3
M14	121.0
M16	189.8

TRAILBOSS

Towbar Fitting Instructions
To Suit
MITSUBISHI MAGNA SEDAN 4/96-9/05
Part Number CL75
Rating 1250Kg



MITSUBISHI MAGNA SEDAN 4/96 - 9/05