

TRAILBOSS

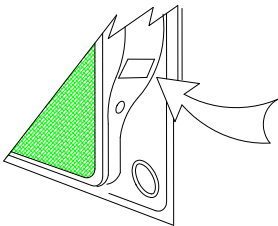
Towbar Fitting Instructions To Suit MITSUBISHI 380 SEDAN 10-05-ON Part Number CL78 Rating 1200Kg

WARNING:

1. Do not, drill, cut, weld or otherwise modify the towbar.
2. If you are using electric welding on a motor vehicle, **always** check that the vehicle is not equipped with electronic engine or instrument management equipment. Failure to do so could **destroy** any onboard computers. If in doubt, check with the vehicle's manufacturer.

General:

1. Ensure all hardware items have been included refer to assembly diagram.
2. It is recommended that the instructions are read through and completely understood before making any attempt to fit this product.
3. Be wary of any changes to vehicle designs or other accessories that may conflict with the installation of this product.
4. Before drilling ensure that the area is clear of fuel, electrical & other components.
5. All holes drilled into the body panels shall have all burrs & swarf removed then coated with a suitable rust preventative paint.
6. For vehicles that require the bumper to be cut. Ensure cut out area is in correct position on the vehicle prior to cutting the bumper.
7. The high tensile fasteners supplied with this product were used to achieve the specified rating. If replacement is required ensure that fasteners of the same rating & quality are used. Contact an authorized **Trailboss** dealer if further information is required.
8. Ensure that all hardware is fastened to torque list below check fasteners on regular basis.
9. Tow bar load rating sticker provided with this product shall be conspicuously located on inside rear end of the driver's door. **(See diagram below).**
10. Trailboss recommends that you check your tow ball to ensure that it complies with the Australian standards **AS 4177.2.**
11. **PLEASE NOTE:** It is advised to remove your lug or tbn when not actually towing so as to produce a clear view of the vehicles registration plate if obscured, and to also provide maximum available departure angle



Place load rating sticker
inside driver's door here

FOR TOWING PURPOSES ONLY
For towing capacity details please refer to vehicle owner's manual or to the manufacturer. Overloading can void your warranties.

RECOMMENDED ASSEMBLY TORQUE LISTING

<u>Diameter</u>	<u>Grade 8.8 Bolt</u>
M6	9.5 Nm
M8	21.7 Nm
M10	43.4 Nm
M12	77.3Nm
M14	146 Nm
M16	189.8 Nm

Tow bar Maintenance and Care.

Trailboss recommends that bolt torque's, as listed below, are routinely and regularly inspected and checked for correct tension. Replace any worn or defective parts.

We recommended to remove Tow Ball Mounts (TBM's, tongues or lugs) when not being used for any considerable length of time.

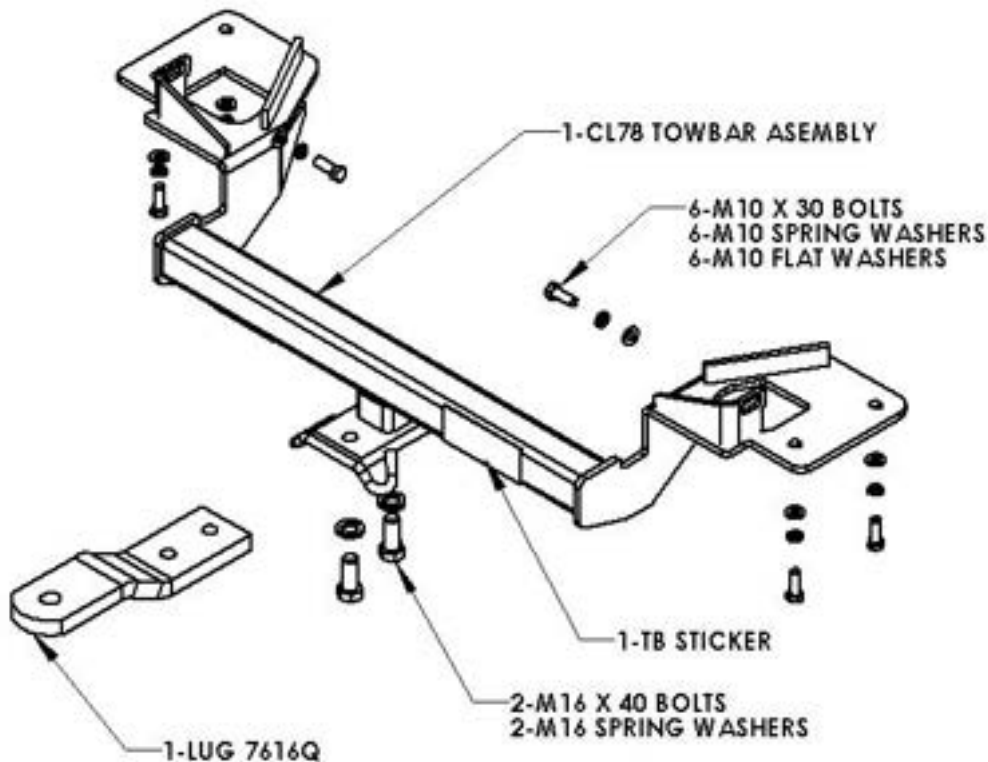
So as to avoid injury, when not towing it is suggested that the tongue, Pull Pin and R-clip are removed then stored in a safe, clean and dry place, away from excessive moisture.

Hitch Pull Pins and spring "R" clips are regularly checked for proper installation. Replace any worn or defective parts.

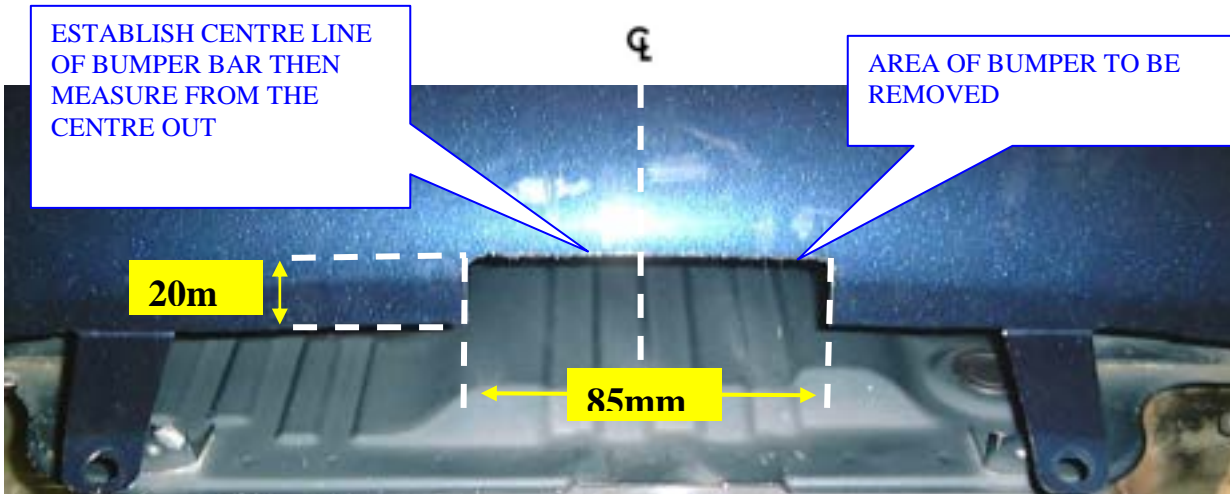
TRAILBOSS

Towbar Fitting Instructions To Suit
MITSUBISHI 380 SEDAN 10-05-ON
Part Number CL78
Rating 1200Kg

12. Remove rear muffler & heat shield via.
13. 2 x rear most rubber hangers
14. 2 x M10 bolts at exhaust flange
15. 2 x M8 bolts holding heat shield
16. Remove 2 M 6 bolts from underside of bumper.
17. To aid ease of fitment captive nuts to mount tow bar may need to be cleaned with suitable tap.
18. Remove rear most exhaust rubber from hanger.
19. Offer tow bar to car while flexing underside of bumper rearward.
20. Fit vertical bolts flat & spring washers loosely to underside of chassis.
21. Using M16 socket and 125mm socket extension, fit driver side horizontal bolt it may be necessary to maneuver bolt with finger through exhaust hanger cavity.
22. Using 16mm open end ring spanner fit passenger side horizontal bolt and tighten both sides to torque listing below.
23. Cut the bumper as shown in the figure below.
24. Using suitable lubricant maneuver rear most exhaust rubber back onto hanger.
25. Refit the underside of the bumper bar.
26. Refit the heat shield & muffler in the reverse of steps 6 to 3.



Towbar Fitting Instructions To Suit
MITSUBISHI 380 SEDAN 10-05-ON
Part Number CL78
Rating 1200Kg



BUMPER CUT



Wiring Loom Fitting Instructions
To Suit Mitsubishi 380
Part Number 100377-WL

Wiring Loom Installation Instructions

**Mitsubishi 380
Part No: 100377-WL**

**Tail Harness Length Required: 1200mm
RPA Override Switch Part No: 04848 (If Fitted)**

Wiring Loom Installation Time: Approx 30 Mins



Wiring Loom Fitting Instructions
To Suit Mitsubishi 380
Part Number 100377-WL

1. In the luggage compartment, remove the floor cover carpet.
2. Remove the rear trim by first removing the two screws and the two clips.
3. Drill a Ø31mm hole in the rear of the luggage compartment, next to the existing vehicle grommet.
4. File any rough or sharp objects and spray on rust inhibitor.
5. Dislodge the LHS side trim enough to access the tail light connector.
6. Repeat the step for the RHS.
7. Locate and disconnect the LHS tail light connector.
8. Patch in the trailer harness (100377-WL) mating connectors.
9. Connect the trailer harness ground ring terminal to the LHS vehicle stud.
10. Route the trailer harness across the rear of the luggage compartment and towards the RHS of the vehicle.
11. Locate and disconnect the RHS tail light connector.
12. Patch in the trailer harness mating connectors.
13. From outside the vehicle, mount the trailer socket to the towbar mounting bracket using M4 fasteners (not supplied).
14. Route the Tail Harness across the towbar towards the LHS of the vehicle and up through the previously drilled out hole.
15. Ensure the Tail Harness grommet is seated correctly and secure in place using a cable tie (not supplied).
16. Connect the Tail Harness 8-way connector to the Trailer Harness mating 8-way connector.
17. Test the Trailer Harness function using a Light Board or multi-meter.
18. Secure all Harnesses using cables ties (not supplied).
19. Re-fit all removed parts and secure all fasteners, ensuring there are no squeaks or rattles.
20. Place the instructions in the glove box after fitment.