



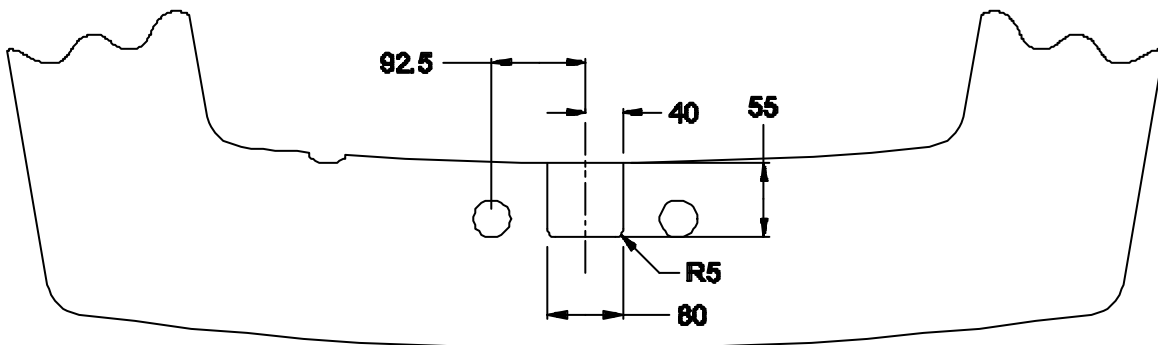
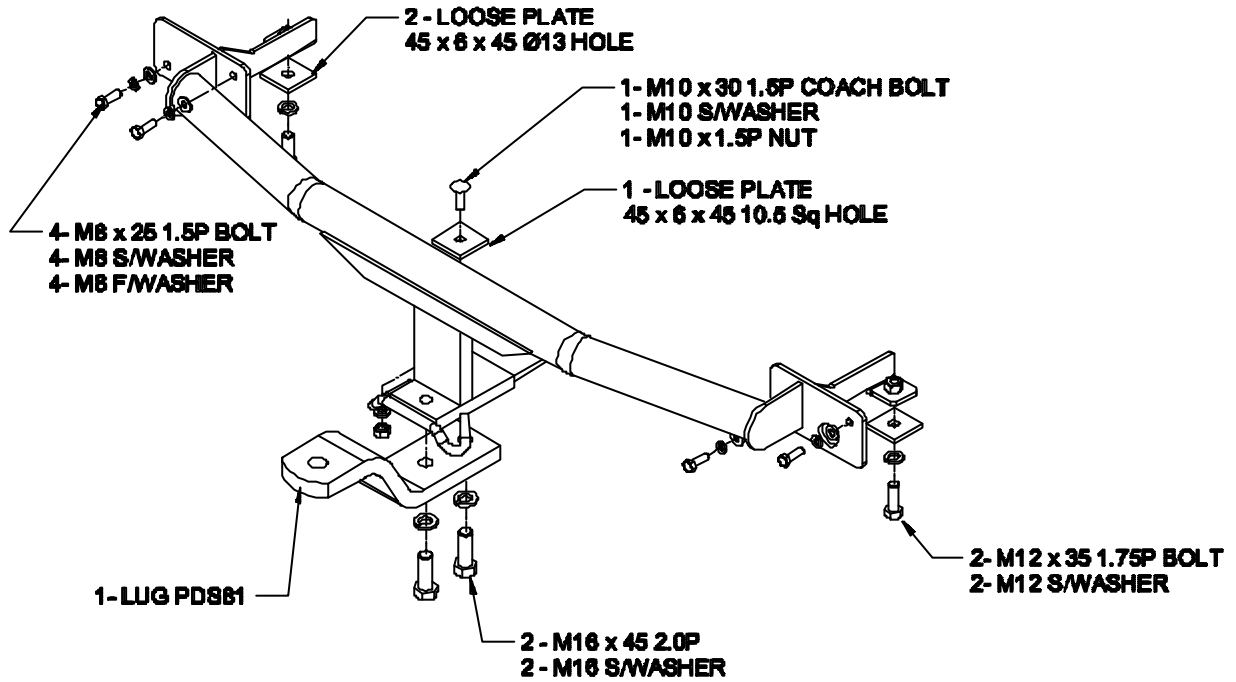
Towbar Fitting Instructions  
To Suit NISSAN PULSAR HATCH 06/2001- 01/2006  
Part Number DS81  
Rating 1000Kg

1. Ensure all hardware items have been included.
2. Remove spare wheel.
3. Remove bumper bar.
4. Remove rearward most rubber grommet from spare wheel well.
5. Remove rear muffler from last 3 rubber hangers.
6. Fit towbar side arms up ends of sub frame to align with holes in body.
7. Fit all bolts etc as per diagram.
8. Tighten all bolts to torque listing.
9. Cut bumper bar as per diagram.
10. Refit in reverse steps 5,3 & 2.

**RECOMMENDED ASSEMBLY TORQUE LISTING**

<u>Diameter</u>	<u>Grade 8.8 Bolt</u>
	<u>Nm</u>
M6	9.5
M8	21.7
M10	43.4
M12	77.3
M14	121.0
M16	189.8

Towbar Fitting Instructions  
 To Suit NISSAN PULSAR HATCH 06/2001- 01/2006  
 Part Number DS81  
 Rating 1000Kg





Towbar Fitting Instructions  
To Suit NISSAN PULSAR HATCH 06/2001- 01/2006  
Part Number DS81  
Rating 1000Kg