

TRAILBOSS

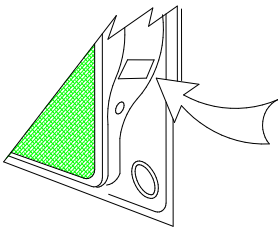
Towbar Fitting Instructions To Suit **FORD MONDEO WAGON 2009** on Part Number **FD202L** Rating 1600-160 kg

WARNING:

1. Do not, drill, cut, weld or otherwise modify the tow bar.
2. If you are using electric welding on a motor vehicle, **always** check that the vehicle is not equipped with electronic engine or instrument management equipment. Failure to do so could **destroy** any onboard computers. If in doubt, check with the vehicle's manufacturer.

General:

1. Ensure all hardware items have been included refer to assembly diagram.
2. It is recommended that the instructions are read through and completely understood before making any attempt to fit this product.
3. Be wary of any changes to vehicle designs or other accessories that may conflict with the installation of this product.
4. Before drilling ensure that the area is clear of fuel, electrical & other components.
5. All holes drilled into the body panels shall have all burrs & swarf removed then coated with a suitable rust preventative paint.
6. For vehicles that require the bumper to be cut. Ensure cut out area is in correct position on the vehicle prior to cutting the bumper.
7. The high tensile fasteners supplied with this product were used to achieve the specified rating. If replacement is required ensure that fasteners of the same rating & quality are used. Contact an authorized **Trailboss** dealer if further information is required.
8. Ensure that all hardware is fastened to torque list below check fasteners on regular basis.
9. Tow bar load rating sticker provided with this product shall be conspicuously located on inside rear end of the driver's door. **(See diagram below).**
10. Trailboss recommends that you check your tow ball to ensure that it complies with the Australian standards **AS 4177.2**.
11. **PLEASE NOTE:** It is advised to remove your lug or tbn when not actually towing so as to produce a clear view of the vehicles registration plate if obscured, and to also provide maximum available departure angle



Place load rating sticker
inside driver's door here

FOR TOWING PURPOSES ONLY

For towing capacity details please refer to vehicle owner's manual or to the manufacturer. Overloading can void your warranties.

RECOMMENDED ASSEMBLY TORQUE LISTING

<u>Diameter</u>	<u>Grade 8.8 Bolt</u>
M6	9.5 Nm
M8	21.7 Nm
M10	43.4 Nm
M12	77.3Nm
M14	146 Nm
M16	189.8 Nm

Tow bar Maintenance and Care.

Trailboss recommends that bolt torque's, as listed below, are routinely and regularly inspected and checked for correct tension. Replace any worn or defective parts.

We recommended to remove Tow Ball Mounts (TBM's, tongues or lugs) when not being used for any considerable length of time.

So as to avoid injury, when not towing it is suggested that the tongue, Pull Pin and R-clip are removed then stored in a safe, clean and dry place, away from excessive moisture.

Hitch Pull Pins and spring "R" clips are regularly checked for proper installation. Replace any worn or defective parts.

TRAILBOSS

Towbar Fitting Instructions
To Suit **FORD MONDEO WAGON 2009** on
Part Number **FD202L**
Rating 1600-160 kg

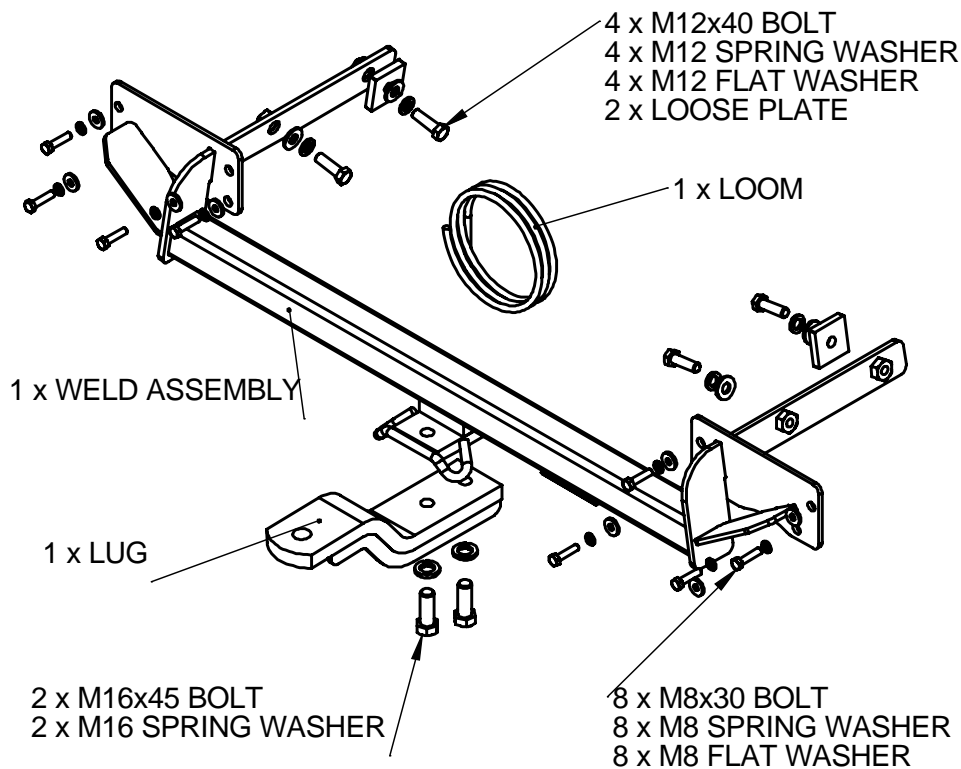



Figure 1 – Layout Diagram

FITTING INSTRUCTIONS AND LOAD RATING LABEL ARE NOT SHOWN IN THE LAYOUT DIAGRAM

STEPS TO FIT TOWBAR (Fitting time is approximately 45 minutes)

1. Remove the Rear Bumper from the vehicle via the following steps:

 Position the vehicle on to a safe working height on the hoist before commencing fitment.

- (a) Remove nuts x 2 from the bottom of the bumper.
- (b) Remove torx screws x 3 from the wheel arch and torx screws x 2 from under the boot lid.

Note: Repeat the step for passenger side.

- (c) Flex the bumper out from the sides and pull rearward.

Note: Unhook the reverse parking sensor from the bumper, while removing the bumper.

2. Remove the impact beam from the back panel.
3. Remove the exhaust rubber mounts and heat shield.
4. Locate the towbar into the chassis rail and loosely fasten with M12 bolts x 2, spring washers x 2 and flat washers x 2 on the side rails. Use M8 bolts x 4, spring washers x 4 and flat washers x 4 on the back panel.

Towbar Fitting Instructions
To Suit **FORD MONDEO WAGON 2009** on
Part Number **FD202L**
Rating 1600-160 kg

Note: Repeat the step for passenger side.

5. Tighten and torque all bolts up to the torque requirement as mentioned on page 1.
6. Cut the bumper as illustrated in Figure 2.

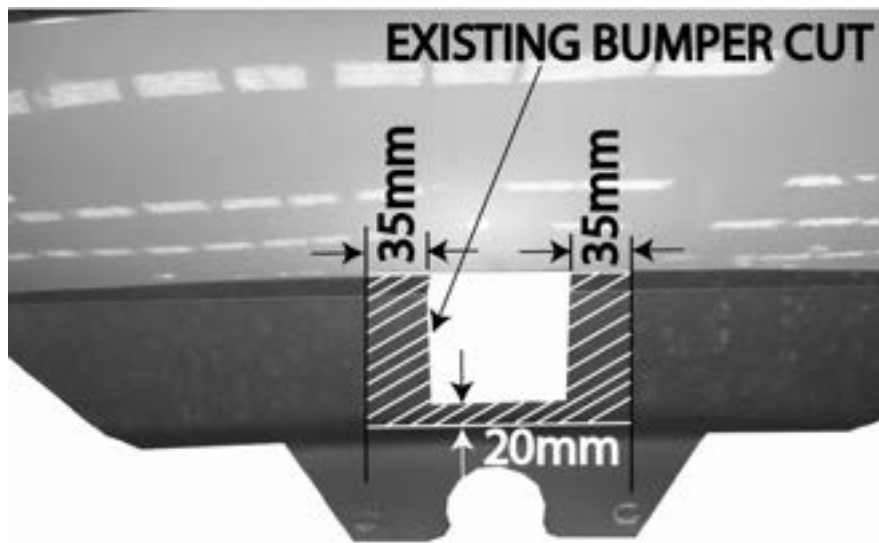


Figure 2 – Bumper Cut out Diagram.

7. Drill holes x 2 (5mm) on the driver side as shown in Figure 3, to fit the plug bracket from inside.

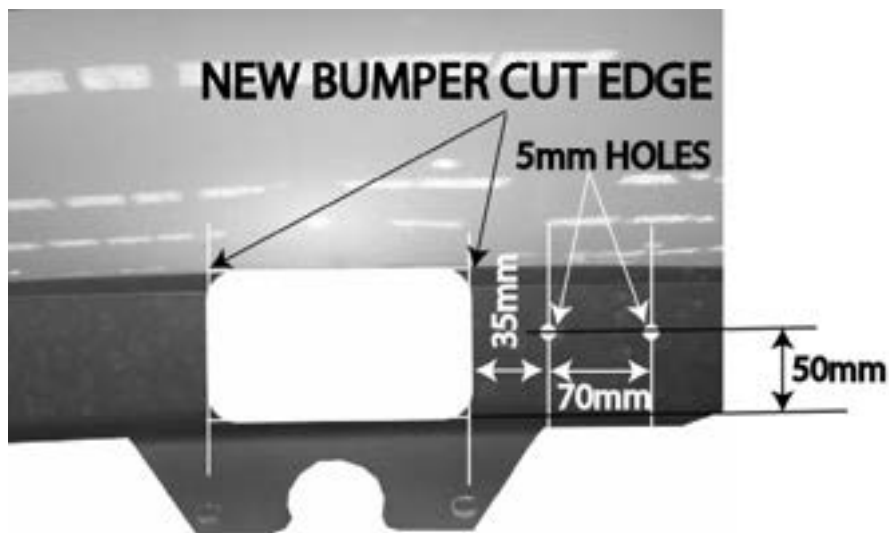


Figure 3 – Plug bracket holes illustration.

8. Refit the exhaust rubber mounts and heat shield back on.
9. Refit the bumper in the reverse order.



Wiring Loom Fitting Instructions
To Suit Ford Mondeo Wagon
Part Number 100215-WL

Wiring Loom Installation Instructions

Ford Mondeo Wagon
Part No: 100215-WL

Kit Part Includes:
Tail Length Required: 1200mm
ECU Required Part No: 04827
RPA Override Switch Part No: 04848 (If Fitted)

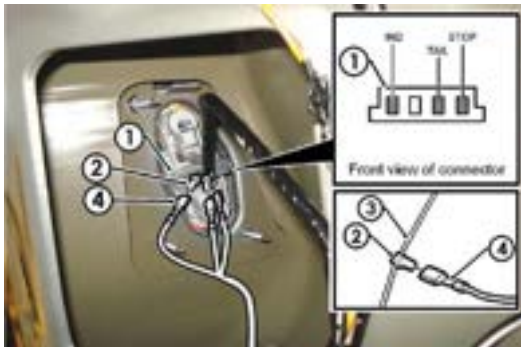
Wiring Loom Installation Time: Approx 45 Mins

Wiring Loom Fitting Instructions To Suit Ford Mondeo Wagon Part Number 100215-WL

1. Remove the rear bumper fascia fasteners and then remove the rear bumper.
2. Remove all trims required to gain access to the LHS and RHS tail light connectors.
3. Using a Ø2mm drill bit, drill into the indicated position on the rear LHS of the vehicle. Ensure all harnesses are kept clear behind the drilling point (1). Using a step drill bit, drill out a Ø31mm hole. File down any rough edges and spray on rust inhibitor.



4. Inside the vehicle, disconnect the tail light connector (1) and using the scotch locks (2) provided, patch into the vehicle harness tail light connector wires (3) and then connect the trailer harness (P/No: 100215-WL) terminals (4) to the scotch locks (2) by following the table below.

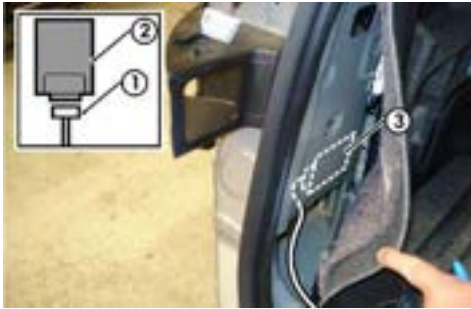


Function	Vehicle Harness (3)	Trailer Harness (4)
TAIL	PURPLE/GREEN	BROWN/BLACK
STOP	PURPLE/BROWN	RED/BLACK
INDICATOR	GREEN/ORANGE	YELLOW/BLACK

5. Secure a supplied Scotch Lock over the GREEN/BROWN reverse wire on the LHS reverse connector.
6. Connect the wire male terminal from the Trailer Patch Harness (P/No: 100215-WL) to the Scotch Lock.

Wiring Loom Fitting Instructions To Suit Ford Mondeo Wagon Part Number 100215-WL

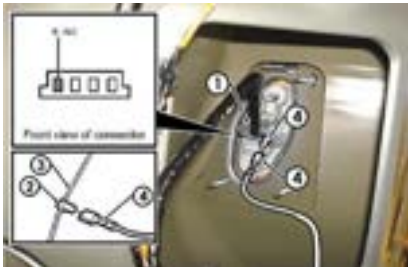
7. Connect the Trailer Patch Harness ECU connector (1) to the ECU (2). ECU mounting location (3) is on the outer side of the inner skin. Adhere the ECU (2) into place using double sided tape (not supplied).



8. Disconnect the LHS and RHS tail light connectors and patch the trailer patch harness (P/No: 100215-WL) connectors into the LHS tail light. Route the trailer patch harness across the chassis/crossbeam to the RHS tail lights. Patch the trailer patch harness connectors in between the RHS tail light.
9. Drill out a 10mm hole into the sheet metal area as indicated (1). Secure the trailer patch harness ground ring terminal (2) using an appropriate bolt and washer (3).



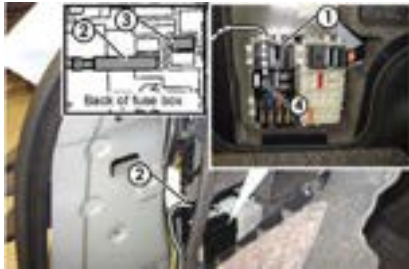
10. Disconnect the RHS tail light connector (1) and scotch lock (2) the trailer harness GREEN/ORANGE R. IND wire (3). Connect the trailer harness terminal (4) to the scotch lock.



11. At the RHS luggage compartment sheet metal, secure the Trailer Patch Harness ground ring terminal to the vehicle grounding point.

Wiring Loom Fitting Instructions To Suit Ford Mondeo Wagon Part Number 100215-WL

- Carefully pull out the black fuse box (1) (refer to vehicle's owner's manual). Secure the harness terminal (2) to the back of the fuse position F9 (3) behind the indicated slot (3) position. At the front of the fuse box F9 position, insert a 20 Amp fuse (4).



- Secure the Tail Harness socket (tail length 1200mm) to the towbar mounting bracket using M4 fasteners (not supplied). Route the harness along the towbar and into the drilled out grommet hole. Adjust the harness grommet to the required position ensuring it is seated correctly. Secure the grommet to the harness using a cable tie (not supplied). Connect the Trailer Patch Harness 8-way female connector to the Tail Harness 8-way male connector.
- Test the Trailer socket using a light board or multi-meter.
- Secure all harnesses using cables ties (not supplied).
- Refit all removed parts and secure all fasteners.
- Place instructions in glove box after fitment.