



Tow bar Fitting Instructions  
To Suit MAZDA 3 SEDAN 15-01-04-ON NOT SP MODELS  
Part Number MA78L  
Rating 900Kg

**WARNING:**

1. Do not, drill, cut, weld or otherwise modify the tow bar.
2. If you are using electric welding on a motor vehicle, **always** check that the vehicle is not equipped with electronic engine or instrument management equipment. Failure to do so could **destroy** any onboard computers. If in doubt, check with the vehicle's manufacturer

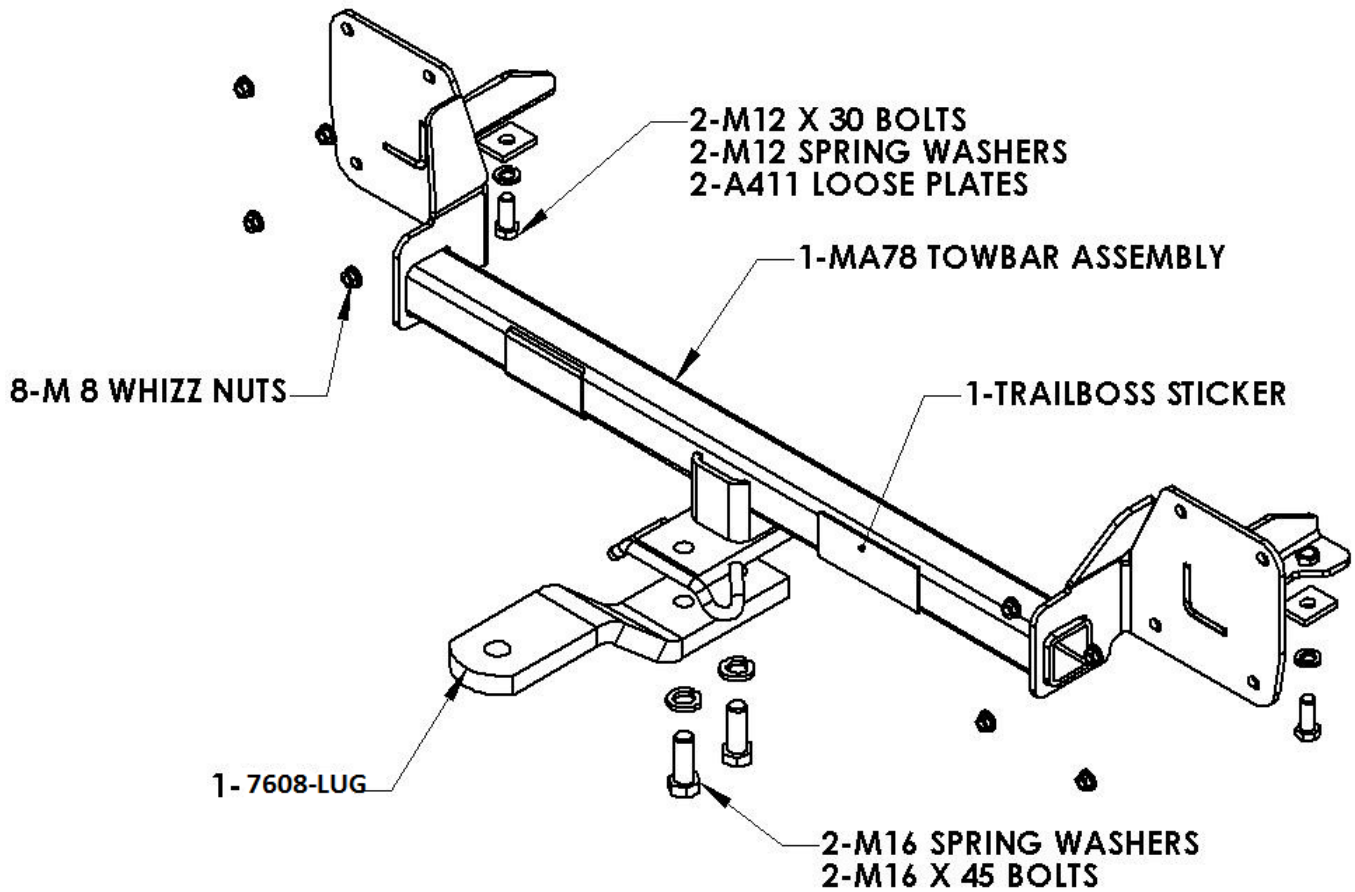
- 1 Ensure all hardware items have been included
- 2 Remove bumper bar via removing the following items
  - a) Centre inner boot trim 4 plastic trim buttons & lift upwards.
  - b) Right hand side inner boot trim 3 plastic trim buttons.
  - c) Left hand side inner boot trim 4 plastic trim buttons.
  - d) Tail lights via 4 x 6mm nuts then unplug lights & pull rearward.
  - e) Tail light cavity, 2 plastic trim buttons & 2 screws.
  - f) Inner wheel arch 2 screws.
  - g) Flex bumper out from the sides & pull rearward.
- 3 Remove impact beam via 8 x 8 mm nuts then discard nuts & impact beam.
- 4 Remove rear most exhaust rubber hanger by turning clockwise 90 degrees.
- 5 Maneuver tow bar on to impact beam studs.
- 6 Feed M12 bolts, spring washers & loose plate to underside of chassis rail on each side & tighten.
- 7 Fit M8 whiz nuts provided and tighten.
- 8 Refit rear most rubber exhaust hanger by turning anti clockwise 90 degree.
- 9 Tighten all bolts to torque listing below.

**RECOMMENDED ASSEMBLY TORQUE LISTING**

<b><u>Diameter</u></b>	<b><u>Grade 8.8 Bolt</u></b>
	<b>Nm</b>
M6	9.5
M8	21.7
M10	43.4
M12	77.3
M14	121.0
M16	189.8

# TRAILBOSS

Tow bar Fitting Instructions  
To Suit MAZDA 3 SEDAN 15-01-04-ON NOT SP MODELS  
Part Number MA78L  
Rating 900Kg





Wiring Loom Fitting Instructions  
To Suit Mazda 3 Hatch & Sedan  
Part Number: 100153-WL

## Wiring Loom Installation Instructions

Mazda 3 Hatch & Sedan  
Part No: 100153-WL

Tail Harness Length Required: 1200mm  
RPA Override Switch Part No: 04848 (If Fitted)

Mazda 3 Hatch (2004 – 2008) – Page 2

Mazda 3 Sedan (2004 – 2008) – Page 4

Wiring Loom Installation Time: Approx 30 Mins



Wiring Loom Fitting Instructions  
To Suit Mazda 3 Hatch & Sedan  
Part Number: 100153-WL

**The following steps are for Mazda 3 Hatch models only. For Mazda 3 Sedan models, please proceed to Page 4.**

1. In the luggage compartment, remove the parcel shelf and the floor carpet cover.
2. Fold the rear seats forward.
3. Remove the rear storage tub.
4. Remove the front storage tub compartment by first removing the 10mm bolts.
5. On the upper RHS luggage compartment, remove the two Phillip head screws and the one clip.
6. Remove the cargo hooks.

**Repeat for the LHS luggage compartment.**

7. Remove the rear trim by first removing the two clips.
8. Dislodge the RHS luggage compartment and disconnect the light connector.
9. Drill a Ø30mm hole on the RHS luggage compartment, next to the existing grommet.
10. File any rough or sharp edges and spray on rust inhibitor.
11. Dislodge the LHS luggage compartment by first removing the clip.
12. Dislodge the LHS side rear trim by first removing the three clips.
13. Disconnect the 3-way tail light connector and connect the 3-way trailer patch (P/No 100153-WL) connector in between.
14. Using a multimeter, locate the vehicle 'GREEN/ORANGE' reverse signal wire.
15. Following the table below, connect the ezy-tap to the vehicle 'GREEN/ORANGE' reverse signal wire.

Function	Trailer Patch	Vehicle Connector
REVERSE	BLACK	GREEN/ORANGE

16. Connect the trailer patch terminal to the ezy-tap.
17. Route the trailer patch along the rear of the vehicle and towards the RHS luggage compartment.
18. Locate and disconnect the RHS tail light 3-way and 4-way connectors.



Wiring Loom Fitting Instructions  
To Suit Mazda 3 Hatch & Sedan  
Part Number: 100153-WL

19. Connect the 3-way and 4-way trailer patch (P/No 100153-WL) connectors in between the tail light 3-way and 4-way connectors.
20. Mount the trailer socket to the towbar mounting bracket using M4 fasteners (not supplied).
21. Route the tail harness (tail length 1200mm) towards and up through the previously drilled out hole.
22. Ensure the tail harness grommet is seated correctly and makes a good seal.
23. Secure the grommet in place using cable ties (not supplied).
24. Connect the tail harness 8-way connector to the Trailer Patch 8-way mating connector.
25. Test the Trailer Harness function using a light board or multimeter.
26. Secure all harnesses using cable ties (not supplied).
27. Re-fit all removed parts and secure all fasteners, ensuring there are no squeaks or rattles.
28. Place the instructions in the glove box after fitment.



Wiring Loom Fitting Instructions  
To Suit Mazda 3 Hatch & Sedan  
Part Number: 100153-WL

The following steps are for Mazda 3 Sedan models only. For Mazda 3 Hatch models, please refer to page 2.

1. In the luggage compartment, remove the floor carpet cover.
2. Remove the rear trim by first removing the four clips.
3. On the LHS luggage compartment, remove the three clips and the access panel.
4. Dislodge LHS luggage compartment trim by first removing the one clip.
5. Dislodge the RHS luggage compartment trim by first removing the three clips.
6. On the RHS of the luggage compartment, drill a Ø30mm hole in the vehicle's sheet metal next to the existing grommet.
7. File any rough or sharp edges and spray on the rust inhibitor.
8. On the LHS of the luggage compartment, disconnect the tail light 3-way connector and patch the trailer patch 3-way trailer patch connector in between.
9. Using a multimeter, locate the vehicle 'GREEN/ORANGE' reverse signal wire.
10. Following the table below, connect the ezy-tap to the vehicle 'GREEN/ORANGE' reverse signal wire.

Function	Trailer Patch	Vehicle Connector
REVERSE	BLACK	GREEN/ORANGE

11. Connect the trailer patch terminal to the ezy-tap.
12. Route the trailer patch along the rear of the luggage compartment and towards the RHS of the vehicle.
13. Locate and disconnect the RHS tail light 3-way and 4-way connectors.
14. Connect the 3-way and 4-way trailer patch (P/No 100153-WL) connectors in between the 3-way and 4-way tail light connectors.
15. Mount the trailer socket to the towbar mounting bracket using M4 fasteners (not supplied).
16. Route the tail harness (tail length 1200mm) towards and up through the previously drilled out hole.
17. Ensure the tail harness grommet is seated correctly and makes a good seal.
18. Secure the grommet in place using a cable tie (not supplied).
19. Connect the Tail Harness 8-way connector to the Trailer Patch 8-way mating connector.



Wiring Loom Fitting Instructions  
To Suit Mazda 3 Hatch & Sedan  
Part Number: 100153-WL

20. Test the Trailer Harness function using a light board or multimeter.
21. Secure all harnesses using cable ties (not supplied).
22. Re-fit all removed parts and secure all fasteners, ensuring there are no squeaks or rattles.
23. Place the instructions in the glove box after fitment.