



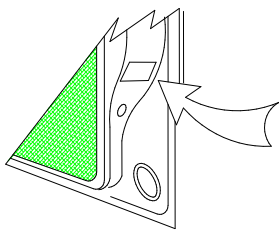
Towbar Fitting Instructions
 To Suit **Toyota Prado 120 Series**
 Part Number QT1114L
 Rating **2500-250 kg**

WARNING:

1. Do not, drill, cut, weld or otherwise modify the tow bar.
2. If you are using electric welding on a motor vehicle, **always** check that the vehicle is not equipped with electronic engine or instrument management equipment. Failure to do so could **destroy** any onboard computers. If in doubt, check with the vehicle's manufacturer.

General:

1. Ensure all hardware items have been included refer to assembly diagram.
2. It is recommended that the instructions are read through and completely understood before making any attempt to fit this product.
3. Be wary of any changes to vehicle designs or other accessories that may conflict with the installation of this product.
4. Before drilling ensure that the area is clear of fuel, electrical & other components.
5. All holes drilled into the body panels shall have all burrs & swarf removed then coated with a suitable rust preventative paint.
6. For vehicles that require the bumper to be cut. Ensure cut out area is in correct position on the vehicle prior to cutting the bumper.
7. The high tensile fasteners supplied with this product were used to achieve the specified rating. If replacement is required ensure that fasteners of the same rating & quality are used. Contact an authorized **Trailboss** dealer if further information is required.
8. Ensure that all hardware is fastened to torque list below check fasteners on regular basis.
9. Tow bar load rating sticker provided with this product shall be conspicuously located on inside rear end of the driver's door. **(See diagram below).**
10. Trailboss recommends that you check your tow ball to ensure that it complies with the Australian standards **AS 4177.2.**
11. **PLEASE NOTE:** It is advised to remove your lug or tbn when not actually towing so as to produce a clear view of the vehicles registration plate if obscured, and to also provide maximum available departure angle



Place load rating sticker
inside driver's door here

FOR TOWING PURPOSES ONLY
 For towing capacity details please refer to vehicle owner's manual or to the manufacturer. Overloading can void your warranties.

RECOMMENDED ASSEMBLY TORQUE LISTING

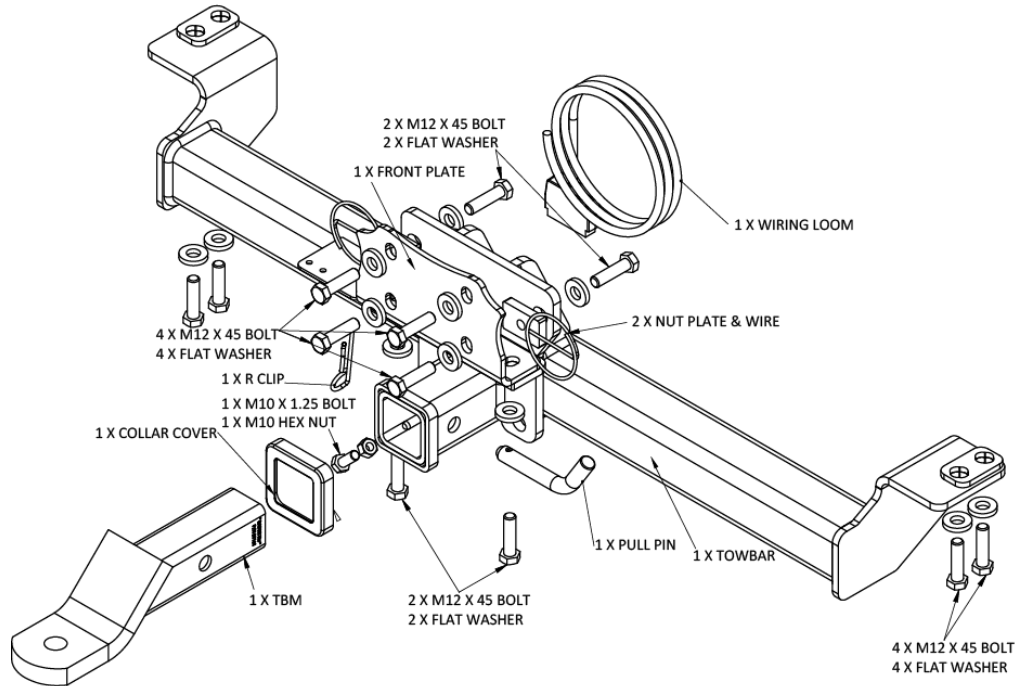
Diameter	Grade 8.8 Bolt
M6	9.5 Nm
M8	21.7 Nm
M10	43.4 Nm
M12	77.3Nm
M14	146 Nm
M16	189.8 Nm

Tow bar Maintenance and Care.

Trailboss recommends that bolt torque's, as listed below, are routinely and regularly inspected and checked for correct tension. Replace any worn or defective parts.
 We recommended to remove Tow Ball Mounts (TBM's, tongues or lugs) when not being used for any considerable length of time.
 So as to avoid injury, when not towing it is suggested that the tongue, Pull Pin and R-clip are removed then stored in a safe, clean and dry place, away from excessive moisture.
 Hitch Pull Pins and spring "R" clips are regularly checked for proper installation. Replace any worn or defective parts.

TRAILBOSS

Towbar Fitting Instructions To Suit **Toyota Prado 120 Series** Part Number QT1114L Rating **2500-250 kg**



Tow bar Maintenance and Care.

It's recommended that bolt torque's, as listed below, are routinely and regularly inspected and checked for correct tension. Replace any worn or defective parts.

We recommend to remove Tow Ball Mounts (tongues or lugs) when not being used for any considerable length of time. So as to avoid injury, when not towing it is suggested that the tongue, Pull Pin and R-clip are removed then stored in a safe, clean and dry place, away from excessive moisture.

Hitch Pull Pins and spring "R" clips are regularly checked for proper installation. Replace any worn or defective parts.

1. Remove scrivets and bolt.
2. Disconnect rear door strut from the ball joint.
3. Remove the plastic part by unclipping carefully.
4. Remove 5 bolts.
5. Remove 1 bolt and 2 scrivets from the wheel arch.
6. Remove 1 screw & 1 scrivet from underneath rear quarter each side.
7. Remove three screws from rear bumper fascia lip.
8. Unclip wiring harness connectors on passenger side and reverse sensors if fitted. Repeat on the other side.
9. Using two people unclip the bumper bar assembly carefully.
10. Remove shipping hook if fitted.
11. Loosely secure the front plate by 4 M12 fine pitch bolts.
12. Lift towbar into position and loosely secure with 2 M12 fine pitch bolts on the sidearm to the captive nuts on the car, two M12 fine pitch bolts from inside the chassis rail by introducing the nut plate on wire. Also secure the front plate to the towbar by two M12x50 fine pitch bolts.
13. Torque all the bolts according to torque specification on page 1. Secure the TBM with pull pin and spring cotter pin.
14. Assemble the bumper bar assembly in the reverse order of removal.



Wiring Loom Fitting Instructions
To Suit Toyota Prado
Part Number 100041-WL

Wiring Loom Installation Instructions

Toyota Prado
Part No: 100041-WL

Tail Harness Length Require: 1200mm

Wiring Loom Installation Time: Approx 30 Mins



Wiring Loom Fitting Instructions
To Suit Toyota Prado
Part Number 100041-WL

1. In the luggage compartment, remove the five luggage compartment rear trim caps. Remove the five fasteners located under the caps and then remove the rear trim.
2. Remove the LHS jack compartment access door then carefully dislodge and peel open the LHS luggage compartment trim towards the centre of the vehicle to gain access to the trailer break-out connector and grommet.
3. Behind the LHS luggage compartment trim's rear quarter, locate and remove the grommet.
4. From underneath the rear of the vehicle, mount the Trailer Tail Harness (socket tail length 1200mm) onto the towbar mounting bracket using M4 fasteners.
5. From underneath the LHS rear quarter area of the vehicle, route the Trailer Tail Harness (tail length 1200mm) into the vehicle and through the grommet hole.
6. Retrieve the Trailer Tail Harness through the LHS rear quarter grommet. Ensure that the Trailer Harness grommet makes a good seal.
7. Connect the Trailer Patch Harness (part no. 100041-WL) into the vehicle harness 6-way break-out connector.
8. Connect the Trailer Patch Harness to the Trailer Tail Harness.
9. Route the Trailer Patch Harness ring terminal to the grounding point on the upper LHS rear quarter sheet metal.
10. Locate the fuse box from underneath the bonnet and slot a 30 amp fuse into the blank slot above the Radio No.2 30A fuse slot.
11. Insert the two relays into the Trailer Patch Harness connectors located in the LHS quarter panel.
12. Secure all harnesses to the vehicle using cable ties,
13. Test the trailer harness functions using a trailer light board or multi-meter.
14. Refit all removed parts and secure all fasteners ensuring there are no squeaks or rattles.
15. Please place the fitting instructions in the glove box after installation.