

TRAILBOSS

Towbar Fitting Instructions
To Suit **TOYOTA KLUGER 08/2007-02/2014**
Part Number **QT1121L**
Rating **2000/200 kg**

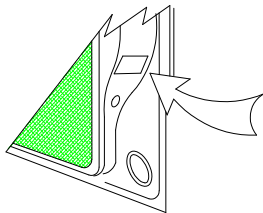
PLACE THESE INSTRUCTIONS IN THE VEHICLE'S GLOVEBOX AFTER INSTALLATION IS COMPLETED

WARNING:

1. Do not, drill, cut, weld or otherwise modify the tow bar.
2. If you are using electric welding on a motor vehicle, **always** check that the vehicle is not equipped with electronic engine or instrument management equipment. Failure to do so could **destroy** any onboard computers. If in doubt, check with the vehicle's manufacturer.
3. The high tensile fasteners supplied with this product were used to achieve the specified rating. If replacement is required ensure that fasteners of the same rating & quality are used. Contact an authorised **Trailboss** dealer if further information is required.
4. If TBM is used in inverted position tow ball may make contact with rear tailgate when lowered, which could cause damage.

General:

1. Ensure all hardware items have been included refer to assembly diagram.
2. It is recommended that the instructions are read through and completely understood before making any attempt to fit this product.
3. Be wary of any changes to vehicle designs or other accessories that may conflict with the installation of this product.
4. Before drilling ensure that the area is clear of fuel, electrical & other components.
5. All holes drilled into the body panels shall have all burrs & swarf removed then coated with a suitable rust preventative paint.
6. For vehicles that require the bumper to be cut. Ensure cut out area is in correct position on the vehicle prior to cutting the bumper.
7. The high tensile fasteners supplied with this product were used to achieve the specified rating. If replacement is required ensure that fasteners of the same rating & quality are used. Contact an authorized **Trailboss** dealer if further information is required.
8. Ensure that all hardware is fastened to torque list below check fasteners on regular basis.
9. Tow bar load rating sticker provided with this product shall be conspicuously located on inside rear end of the driver's door. **(See diagram below).**
10. Trailboss recommends that you check your tow ball to ensure that it complies with the Australian standards **AS 4177.2**.
11. **PLEASE NOTE:** It is advised to remove your lug or tbm when not actually towing so as to produce a clear view of the vehicles registration plate if obscured, and to also provide maximum available departure angle
12. Pull Pin must be fit in down position.



Place load rating sticker
inside driver's door here

FOR TRAILER TOWING PURPOSES ONLY
For towing capacity details please refer to vehicle owner's manual or to the manufacturer. Overloading can void your warranties.

RECOMMENDED ASSEMBLY TORQUE LISTING

Diameter	Grade 8.8 Bolt
M6	9.5 Nm
M8	21.7 Nm
M10	43.4 Nm
M12	77.3Nm
M14	146 Nm
M16	189.8 Nm

Tow bar Maintenance and Care.

Trailboss recommends that bolt torque's, as listed below, are routinely and regularly inspected and checked for correct tension. Replace any worn or defective parts.

We recommended to remove Tow Ball Mounts (TBM's, tongues or lugs) when not being used for any considerable length of time.

So as to avoid injury, when not towing it is suggested that the tongue, Pull Pin and R-clip are removed then stored in a safe, clean and dry place, away from excessive moisture.

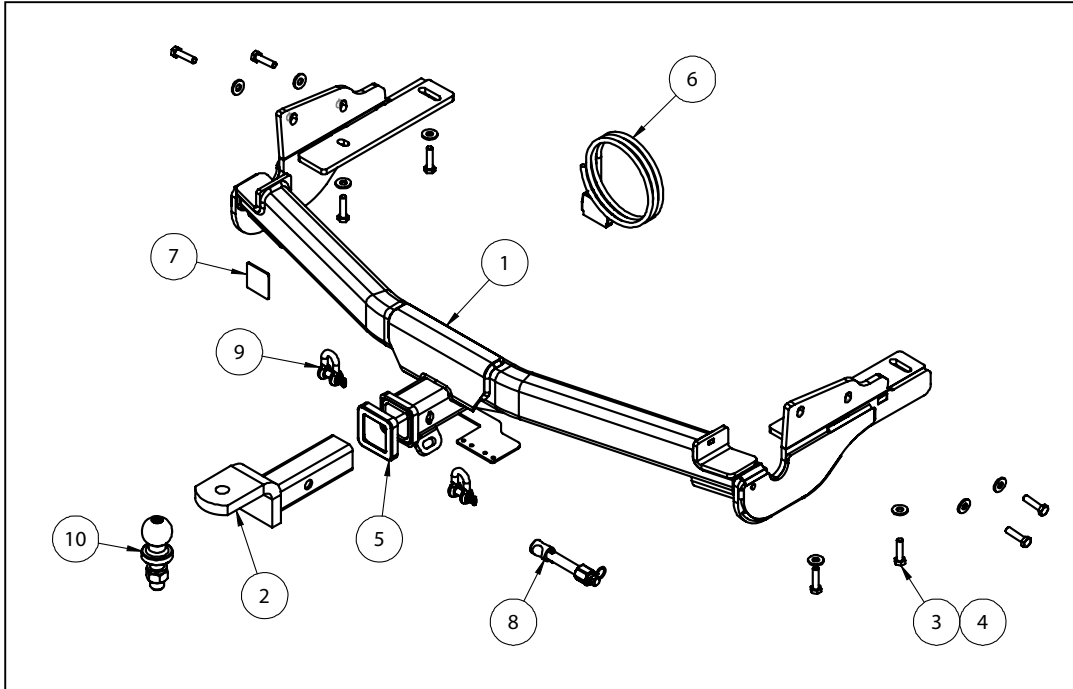
Hitch Pull Pins and spring "R" clips are regularly checked for proper installation. Replace any worn or defective parts.

TRAILBOSS

Towbar Fitting Instructions
 To Suit **TOYOTA KLUGER 08/2007-02/2014**
 Part Number **QT1121L**
 Rating **2000/200 kg**

PLACE THESE INSTRUCTIONS IN THE VEHICLE'S GLOVEBOX AFTER INSTALLATION IS COMPLETED

**NOTE: For Towing Weight Distribution Systems. Trailboss explicitly recommends using the following:
 Mini Weight Distribution Kit (0-80kg) Part Number 04180
 OR Intermediate Weight Distribution Kit (80-135kg) Part Number 04194**



QTY	DESCRIPTION	ITEM NO
1	TOWBAR ASSEMBLY	1
1	TRAILER BALL MOUNT	2
8	SET SCREW M10x1.25x40	3
8	WASHER FT M10x25.4x3	4
1	HITCH BOX COLLAR COVER	5
1	WIRING LOOM	6
1	ACRYLIC COMPLIANCE PLATE	7
1	SILENT HITCH PIN – SILVER	8
2	10MM "D" SHACKLE	9
1	50MM TOWBALL	10



Towbar Fitting Instructions
To Suit **TOYOTA KLUGER 08/2007-02/2014**
Part Number **QT1121L**
Rating **2000/200 kg**

PLACE THESE INSTRUCTIONS IN THE VEHICLE'S GLOVEBOX AFTER INSTALLATION IS COMPLETED

INSTRUCTION:

1. Remove 4x Set Screws located on the mud flap. One of these is located on the top of the Rear Bumper where it meets the rear quarter panel.
2. Remove 3x Set Screws located on the underside of the Bumper. Repeat for the both Passenger and Drivers side.
3. Remove 3x trim clips located on the bottom lip of the Bumper.
4. Release the rear Tailgate to expose top Bumper mounts. Remove 1x Screw directly under rear taillights. Repeat for both Driver and Passenger side.
5. Carefully remove the Rear Bumper. Disconnect any factory fitted parking sensors. Remove and disregard factory Impact Beam.
6. Present Towbar to vehicle and secure using supplied mounting hardware. Refer to Page 1 for torque settings required for M10 Set screws.
7. Carefully Cut the Bumper by measuring approximately 75mm from the centre and 60mm up from the bottom of the Bumper.
8. On the back side of the Rear Bumper, remove the plastic fin directly above from the bottom lip all the way across the Bumper.
9. On the Driver's side of the Bumper Cut the locating tab approximately 60mm or onto the third line across and down. Cut the trim clip mounting tab directly next it off as well.
10. On the Driver's side of the spare tyre slot the mounting hole for the trim clip by approximately 3-4mm.
11. Cut and modify under body trims to clear Towbar sidearm for both Passenger and Driver side.
12. Re-attached Bumper by following Steps 1-4 in reverse.



Wiring Loom Fitting Instructions
To Suit Toyota Kluger MY11 – MY14
Part Number 100471-WL

Wiring Loom Installation Instructions

Toyota Kluger MY11 – MY13 (pages 2 and 3)
Toyota Kluger MY14 (Page 4)
Part No: 100471-WL

Tail Length Required: 1200mm

ECU Required Part No: 04826
RPA Override Switch Part No: 04848 (If Fitted)

Wiring Loom Installation Time: Approx 40 Mins



Wiring Loom Fitting Instructions
To Suit Toyota Kluger MY11 – MY14
Part Number 100471-WL

These following Steps for Toyota Kluger MY07 to MY13

1. In the engine bay, remove the fuse box cover.
2. From underneath the vehicle, remove the LHS rear bumper shroud by first removing all the fasteners.
3. In the luggage compartment, fold the rear seats forward.
4. Remove the rear section of the floor cover carpet.
5. Remove the LHS & RHS outer floor cover carpet.
6. Remove the LHS storage compartment by first removing the two fasteners.
7. In the rear LHS of the luggage compartment, remove the larger front most grommet.
8. Drill out the grommet hole to Ø31mm.
9. File any rough or sharp edges and spray on rust inhibitor.
10. In the rear LHS quarter of the luggage compartment, locate the vehicle trailer 6-way female breakout connector.
11. Connect the trailer patch connector to the vehicle trailer breakout connector.
12. In the LHS of the luggage compartment, connect the trailer harness ground ring terminal to the vehicle grounding point.
13. Connect the trailer patch harness 12-way connector to the ECU (04826).
14. Apply double sided tape to the ECU and adhere it to the outward face of the inner sheet metal on the RHS of the luggage compartment.

For vehicles produced from May 2007–June 2010:

15. Locate the 'Towing' fuse location.
16. Insert the (supplied) 30-amp fuse into the 'Towing' fuse location.

For vehicles produced from July 2010 to 2013:

17. Locate the 'Towing' fuse location.
18. Insert the (supplied) 30-amp fuse into the 'Towing' fuse location.
19. Mount the trailer socket to the towbar mounting bracket using M4 fasteners (not supplied).
20. Route the tail harness across the towbar towards the LHS of the vehicle and up through the previously drilled out hole.
21. Ensure the tail harness grommet is seated correctly and secure in place using a cable



Wiring Loom Fitting Instructions
To Suit Toyota Kluger MY11 – MY14
Part Number 100471-WL

tie (not supplied).

22. Connect the tail harness (tail length 1200mm) 8-way connector to the trailer harness mating 8-way connector.
23. Test the Trailer socket using a light board or multi-meter.
24. Secure all harnesses using cables ties (not supplied).
25. Re-fit all removed parts and secure all fasteners.
26. Place instructions in glove box after fitment.

These following Steps for Toyota Kluger MY14 only:

1. Fold down the rear seats and remove the luggage compartment floor cover and remove the centre, LHS and RHS tool trays (not shown).
2. Remove the luggage compartment rear trim.
3. Gain access to the LHS rear quarter area and tail light connectors. **Repeat for the LHS.**
4. Locate a suitable area in the LHS rear quarter and drill out the grommet hole to 30mm.
5. After drilling, file any rough or sharp edges and spray on rust inhibitor.
6. Connect the trailer patch (P/No: 100471-WL) break-out connector to the vehicle break-out connector.
7. Secure the brake controller harness with cable ties (not supplied) away from any moving parts, sharp edges or hot surfaces at 200mm intervals.
8. Using a tek screw (not supplied) secure the trailer patch ground ring terminal to the vehicle grounding point.
9. Apply double sided tape to the ECU (1) and adhere it to the outward face of the inner sheet metal on the RHS of the luggage compartment. Ensure the ECU is mounted with the connector pointing downwards as much as possible to avoid water ingress or condensation.
10. Referring to the fuse panel, locate the 'Towing' fuse location. Insert the (supplied) 30-amp fuse into the 'Towing' fuse location.
11. Test the body harness using a light board or multimeter.
12. Using cable ties (not supplied), secure harnesses away from any moving parts, sharp edges or hot surfaces at 200mm intervals.
13. Re-fit all removed parts and secure all fasteners, ensuring there are no squeaks or rattles.
14. Place the instructions in the glove box after fitment.



FITTING INSTRUCTIONS

Silent Anti-Rattle Hitch Pin (PR0001)

• These fitting instructions are supplied to ensure understanding of how the HITCH PIN should be fitted and used correctly.

• Once installed, we recommend **ALL** instructions are kept and placed in the vehicle glove box.

NOTE: Routine maintenance and inspection of the towbar & HITCH PIN is required. Regularly inspect for wear and check the tightness of the Hitch Pin. Follow instructions below to retighten the nut when necessary.

***Do not tow with your vehicle if the R CLIP or the HITCH PIN is loose or missing. Replacement parts are available from your Pro Series Distributor.**

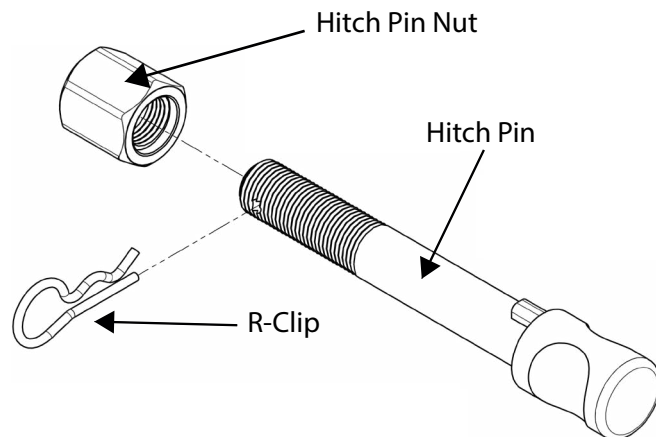


Fig 1. Silent Anti-Rattle Hitch Pin assembly

STEP 1

Insert Trailer Ball Mount (TBM) into towbar HITCHBOX, aligning hole in TBM SHANK with hole in HITCHBOX (Fig 2).

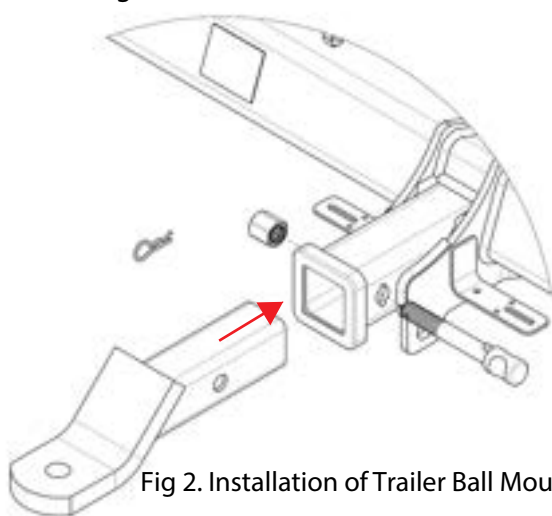


Fig 2. Installation of Trailer Ball Mount

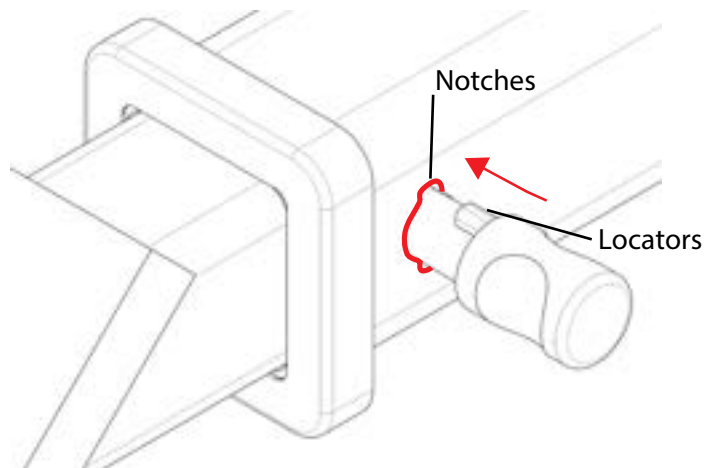


Fig 3. Silent Anti-Rattle Hitch Pin orientation

STEP 2

Insert HITCH PIN through hole in HITCHBOX and hole in TBM SHANK; ensure the LOCATORS are inserted into the NOTCHES in the HITCHBOX (Fig. 3).

STEP 3

Screw HITCH PIN NUT onto HITCH PIN ; tighten HITCH PIN NUT until finger tight, ensuring TBM is restrained from movement.

STEP 4

Tighten HITCH PIN NUT by turning nut a further 1/8th of a turn in the clockwise direction using a 24mm spanner (Fig. 4).

STEP 5

Install HITCH PIN R CLIP through the hole on the HITCH PIN (Fig. 1).

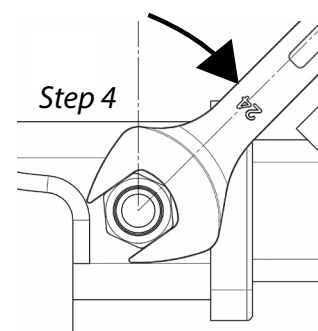


Fig 4. Tightening of Silent Anti-Rattle Hitch Pin Nut