

TRAILBOSS

Towbar Fitting Instructions
To Suit **TOYOTA HILUX MY15 GUN SERIES TRAY VARIANT ONLY**
Part Number **QT1127L**
Rating **3500/350 kg**

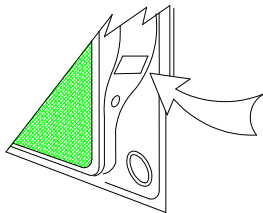
PLACE THESE INSTRUCTIONS IN THE VEHICLE'S GLOVEBOX AFTER INSTALLATION IS COMPLETED

WARNING:

1. Do not, drill, cut, weld or otherwise modify the tow bar.
2. If you are using electric welding on a motor vehicle, **always** check that the vehicle is not equipped with electronic engine or instrument management equipment. Failure to do so could **destroy** any onboard computers. If in doubt, check with the vehicle's manufacturer.
3. The high tensile fasteners supplied with this product were used to achieve the specified rating. If replacement is required ensure that fasteners of the same rating & quality are used. Contact an authorised **Trailboss** dealer if further information is required.
4. If TBM is used in inverted position tow ball may make contact with rear tailgate when lowered, which could cause damage.

General:

1. Ensure all hardware items have been included refer to assembly diagram.
2. It is recommended that the instructions are read through and completely understood before making any attempt to fit this product.
3. Be wary of any changes to vehicle designs or other accessories that may conflict with the installation of this product.
4. Before drilling ensure that the area is clear of fuel, electrical & other components.
5. All holes drilled into the body panels shall have all burrs & swarf removed then coated with a suitable rust preventative paint.
6. For vehicles that require the bumper to be cut. Ensure cut out area is in correct position on the vehicle prior to cutting the bumper.
7. The high tensile fasteners supplied with this product were used to achieve the specified rating. If replacement is required ensure that fasteners of the same rating & quality are used. Contact an authorized **Trailboss** dealer if further information is required.
8. Ensure that all hardware is fastened to torque list below check fasteners on regular basis.
9. Tow bar load rating sticker provided with this product shall be conspicuously located on inside rear end of the driver's door. **(See diagram below).**
10. Trailboss recommends that you check your tow ball to ensure that it complies with the Australian standards **AS 4177.2**.
11. **PLEASE NOTE:** It is advised to remove your lug or tbm when not actually towing so as to produce a clear view of the vehicles registration plate if obscured, and to also provide maximum available departure angle
12. Pull Pin must be fit in down position.



Place load rating sticker
inside driver's door here

FOR TRAILER TOWING PURPOSES ONLY
For towing capacity details please refer to vehicle owner's manual or to the manufacturer. Overloading can void your warranties.

Tow bar Maintenance and Care.

Trailboss recommends that bolt torque's, as listed below, are routinely and regularly inspected and checked for correct tension. Replace any worn or defective parts.

We recommended to remove Tow Ball Mounts (TBM's, tongues or lugs) when not being used for any considerable length of time.

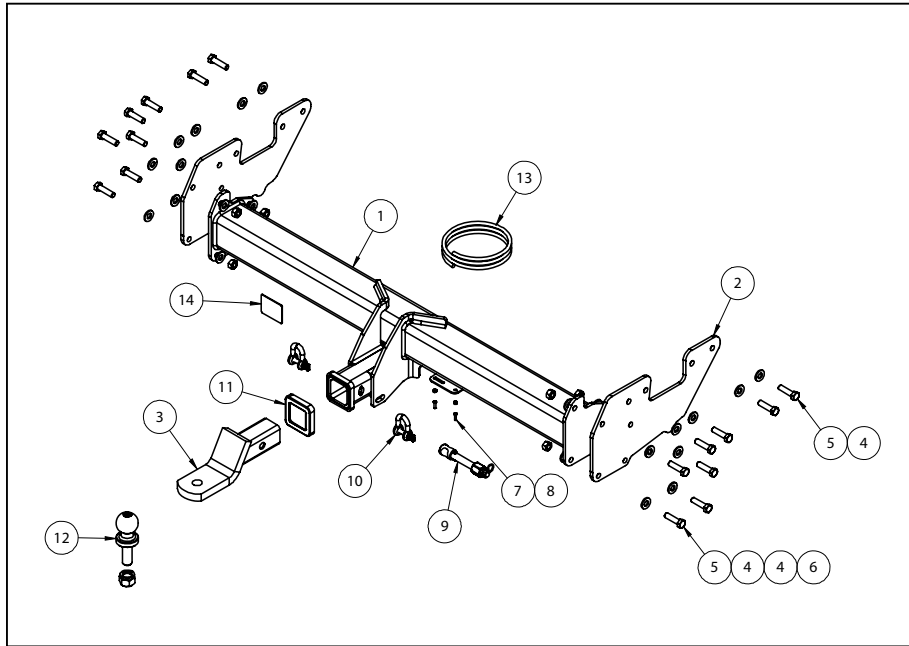
So as to avoid injury, when not towing it is suggested that the tongue, Pull Pin and R-clip are removed then stored in a safe, clean and dry place, away from excessive moisture.

Hitch Pull Pins and spring "R" clips are regularly checked for proper installation. Replace any worn or defective parts.

TRAILBOSS

Towbar Fitting Instructions
 To Suit **TOYOTA HILUX MY15 GUN SERIES TRAY VARIANT ONLY**
 Part Number **QT1127L**
 Rating **3500/350 kg**

PLACE THESE INSTRUCTIONS IN THE VEHICLE'S GLOVEBOX AFTER INSTALLATION IS COMPLETED



QTY.	DESCRIPTION	ITEM NO.
1	TOYOTA HILUX TRAY WELDED ASSY	1
2	SIDE ARM	2
1	TBM ASSY	3
24	WASHER FLAT 1/2"x1 1/8"x1/8"	4
16	SET SCREW M12x45x1.25P	5
8	HEX NUT M12x1.25 PC8	6
2	SCREW PAN XR MTS M4-0.7x16 Z/P	7
2	NUT NYLOC M4-0.7x16 Z/P	8
1	SILENT HITCH PIN-SILVER	9
2	10mm "D" SHACKLE	10
1	HITCH BOX COLLAR COVER	11
1	50mm TOWBALL	12
1	TOYOTA HILUX GUN MY15 TRAILER PATCH	13
1	ACRYLIC COMPLIANCE PLATE	14



Towbar Fitting Instructions
To Suit **TOYOTA HILUX MY15 GUN SERIES TRAY VARIANT ONLY**
Part Number **QT1127L**
Rating **3500/350 kg**

PLACE THESE INSTRUCTIONS IN THE VEHICLE'S GLOVEBOX AFTER INSTALLATION IS COMPLETED

INSTRUCTION:

1. Loosely secure sidearm with 4 x M12 x 1.25P Set Screws and Flat washers to the four mounting points on the rear of the chassis. Repeat for opposite side.
2. Position centre section between sidearms.
Insert remaining M12 x 1.25P Sets Screws with supplied Flat Washers and Nuts. Torque all fasteners to the following:

M12 x 1.25P G10.9 : 125Nm



Wiring Loom Fitting Instructions
To Suit Toyota Hilux GUN
Part Number 101247-WL

Wiring Loom Installation Instructions

Toyota Hilux GUN
(tray and tub variant)

Part No: 101247-WL

Tail Harness Length Required: 1800mm
ECU Required: 04835
Power Harness Supplied: 04825

Wiring Loom Installation Time: Approx 30 Mins

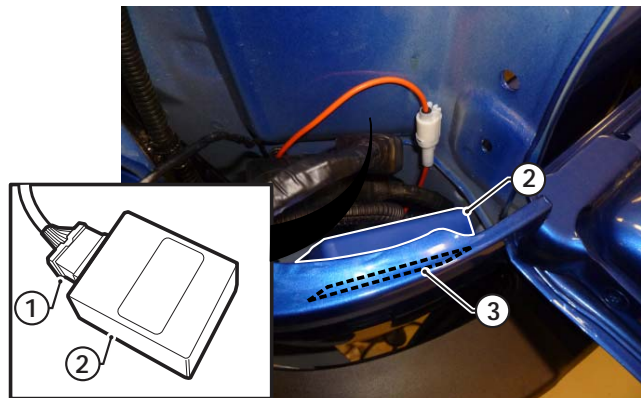
Wiring Loom Fitting Instructions To Suit Toyota Hilux GUN Part Number 101247-WL

All Steps apply to tub and tray variants unless otherwise specified:

1. Disconnect and remove the LHS and RHS tail light assemblies by removing the two fasteners from each tail light.
2. From underneath the vehicle, route the trailer patch harness (P/No: 101247-WL) connectors up the RHS tail light cavity.
3. Patch the trailer patch harness RHS connectors to the tail light connector and refit the RHS tail light assembly.
4. Underneath the vehicle, route the trailer patch harness over the support bar and along the vehicle harness towards the LHS tail light cavity.
5. Patch the trailer patch harness LHS connectors to the tail light connector.

Steps 6 to 8 only for tub variants. For tray variants go to Step 9:

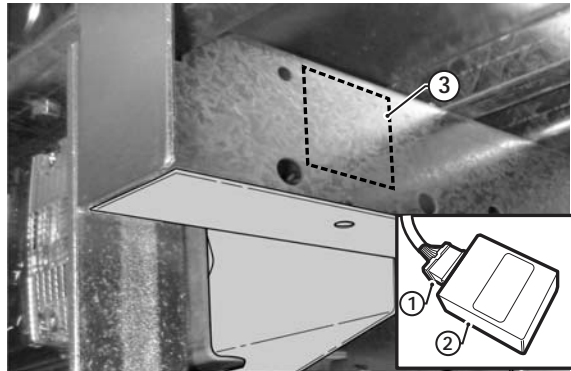
6. Connect the trailer patch connector (1) to the ECU (P/No: 04835) (2).
7. In the tail light cavity, clean the inner skin of the lower bumper sheet metal area with an alcohol wipe (not supplied) for ECU mounting location.
8. Remove the backing from the back of the ECU and mount the ECU (2) to the cleaned area (3). **Ensure the ECU connector is pointing downwards.**



Wiring Loom Fitting Instructions To Suit Toyota Hilux GUN Part Number 101247-WL

Steps 9 to 11 only for tray variants:

9. Connect the trailer patch connector (1) to the ECU (P/No: 04835) (2).
10. On the LHS chassis, clean the area inside the channel (facing the outer LHS of the vehicle) where the ECU (2) will be mounted with an alcohol wipe (not supplied).
11. Remove the backing from the ECU and mount the ECU (2) to the cleaned area (3). **Ensure the ECU connector is pointing downwards.**



12. Connect the trailer patch ORANGE wire 1-way connector to the Power Harness (P/No: 04825) mating 1-way connector.
13. Refit the tail light assembly.
14. Route the power harness along the LHS chassis rail to the engine bay. **Ensure to secure harnesses away from any moving parts or sharp objects and sources of extreme heat with cable ties (not supplied).**
15. Route the power harness up to the battery.
16. Secure the power harness ring terminal onto the battery positive terminal fastener located under the terminal cap. **Note: Be careful when removing the positive nut not to short your tool on the vehicle.**
17. At the rear exterior of the vehicle, mount the tail harness socket to the towbar mounting bracket using M4 fasteners (not supplied).
18. Route the tail harness (tail length: 1800mm) across the LHS to the trailer patch mating connector.
19. Connect the tail harness 8-way connector to the trailer patch 8-way mating connector.
20. Waterproof the trailer patch 8-way connector and the tail harness 8-way male connector using silicone or grease (not supplied).
21. Secure all harnesses to the vehicle using cable ties.
22. Test the Trailer Harness function using trailer light board or multi-meter.
23. Re-fit all removed parts and secure all fasteners.
24. Please place the fitting instructions in the glove box after installation.



FITTING INSTRUCTIONS

Silent Anti-Rattle Hitch Pin (PR0001)

• These fitting instructions are supplied to ensure understanding of how the HITCH PIN should be fitted and used correctly.

• Once installed, we recommend **ALL** instructions are kept and placed in the vehicle glove box.

NOTE: Routine maintenance and inspection of the towbar & HITCH PIN is required. Regularly inspect for wear and check the tightness of the Hitch Pin. Follow instructions below to retighten the nut when necessary.

***Do not tow with your vehicle if the R CLIP or the HITCH PIN is loose or missing. Replacement parts are available from your Pro Series Distributor.**

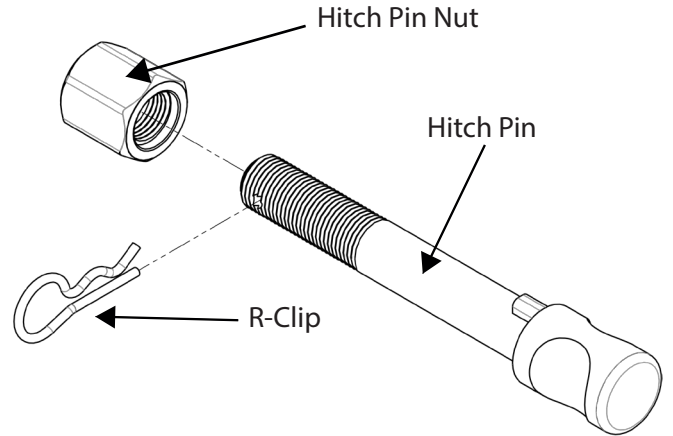


Fig 1. Silent Anti-Rattle Hitch Pin assembly

STEP 1

Insert Trailer Ball Mount (TBM) into towbar HITCHBOX, aligning hole in TBM SHANK with hole in HITCHBOX (Fig 2).

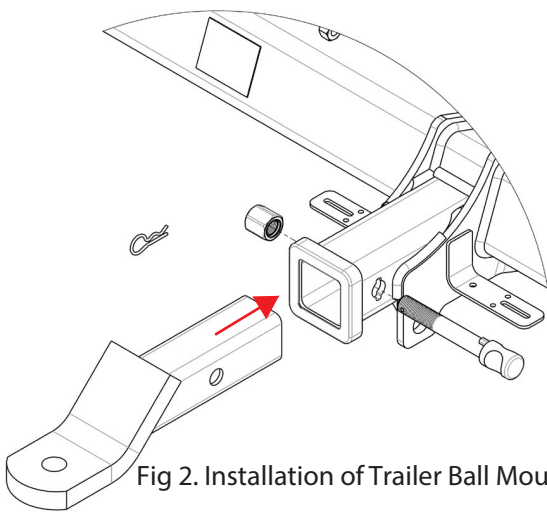


Fig 2. Installation of Trailer Ball Mount

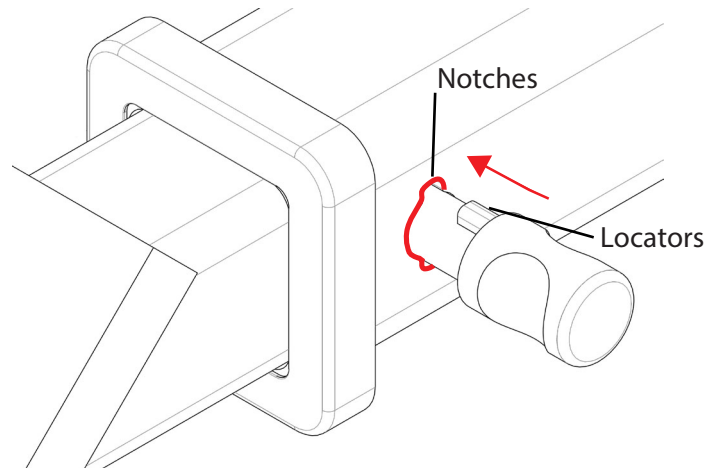


Fig 3. Silent Anti-Rattle Hitch Pin orientation

STEP 2

Insert HITCH PIN through hole in HITCHBOX and hole in TBM SHANK; ensure the LOCATORS are inserted into the NOTCHES in the HITCHBOX (Fig. 3).

STEP 3

Screw HITCH PIN NUT onto HITCH PIN ; tighten HITCH PIN NUT until finger tight, ensuring TBM is restrained from movement.

STEP 4

Tighten HITCH PIN NUT by turning nut a further 1/8th of a turn in the clockwise direction using a 24mm spanner (Fig. 4).

STEP 5

Install HITCH PIN R CLIP through the hole on the HITCH PIN (Fig. 1).

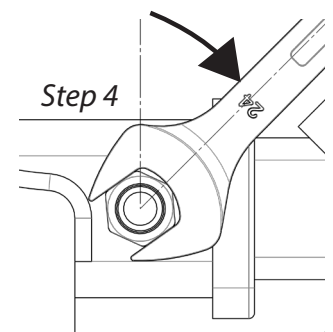


Fig 4. Tightening of Silent Anti-Rattle Hitch Pin Nut