

TRAILBOSS

Towbar Fitting Instructions To Suit TOYOTA PRADO FLAT TAIL GATE CL4 Part Number QT1136L Rating 3000/300 kg

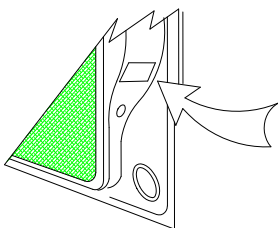
PLACE THESE INSTRUCTIONS IN THE VEHICLE'S GLOVEBOX AFTER INSTALLATION IS COMPLETED

WARNING:

1. Do not, drill, cut, weld or otherwise modify the tow bar.
2. If you are using electric welding on a motor vehicle, **always** check that the vehicle is not equipped with electronic engine or instrument management equipment. Failure to do so could **destroy** any onboard computers. If in doubt, check with the vehicle's manufacturer.
3. The high tensile fasteners supplied with this product were used to achieve the specified rating. If replacement is required ensure that fasteners of the same rating & quality are used. Contact an authorised **Trailboss** dealer if further information is required.
4. If TBM is used in inverted position tow ball may make contact with rear tailgate when lowered, which could cause damage.

General:

1. Ensure all hardware items have been included refer to assembly diagram.
2. It is recommended that the instructions are read through and completely understood before making any attempt to fit this product.
3. Be wary of any changes to vehicle designs or other accessories that may conflict with the installation of this product.
4. Before drilling ensure that the area is clear of fuel, electrical & other components.
5. All holes drilled into the body panels shall have all burrs & swarf removed then coated with a suitable rust preventative paint.
6. For vehicles that require the bumper to be cut. Ensure cut out area is in correct position on the vehicle prior to cutting the bumper.
7. The high tensile fasteners supplied with this product were used to achieve the specified rating. If replacement is required ensure that fasteners of the same rating & quality are used. Contact an authorized **Trailboss** dealer if further information is required.
8. Ensure that all hardware is fastened to torque list below check fasteners on regular basis.
9. Tow bar load rating sticker provided with this product shall be conspicuously located on inside rear end of the driver's door. **(See diagram below).**
10. Trailboss recommends that you check your tow ball to ensure that it complies with the Australian standards **AS 4177.2.**
11. **PLEASE NOTE:** It is advised to remove your LUG or TBM when not actually towing so as to produce a clear view of the vehicles registration plate if obscured, and to also provide maximum available departure angle



Place load rating sticker
inside driver's door here

FOR TRAILER TOWING PURPOSES ONLY
For towing capacity details please refer to vehicle owner's manual or to the manufacturer. Overloading can void your warranties.

RECOMMENDED ASSEMBLY TORQUE LISTING

Diameter	Grade 8.8 Bolt
M6	9.5 Nm
M8	21.7 Nm
M10	43.4 Nm
M12	77.3Nm
M14	146 Nm
M16	189.8 Nm

Tow bar Maintenance and Care.

Trailboss recommends that bolt torque's, as listed below, are routinely and regularly inspected and checked for correct tension. Replace any worn or defective parts.

We recommended to remove Tow Ball Mounts (TBM's, tongues or lugs) when not being used for any considerable length of time.

So as to avoid injury, when not towing it is suggested that the tongue, Pull Pin and R-clip are removed then stored in a safe, clean and dry place, away from excessive moisture.

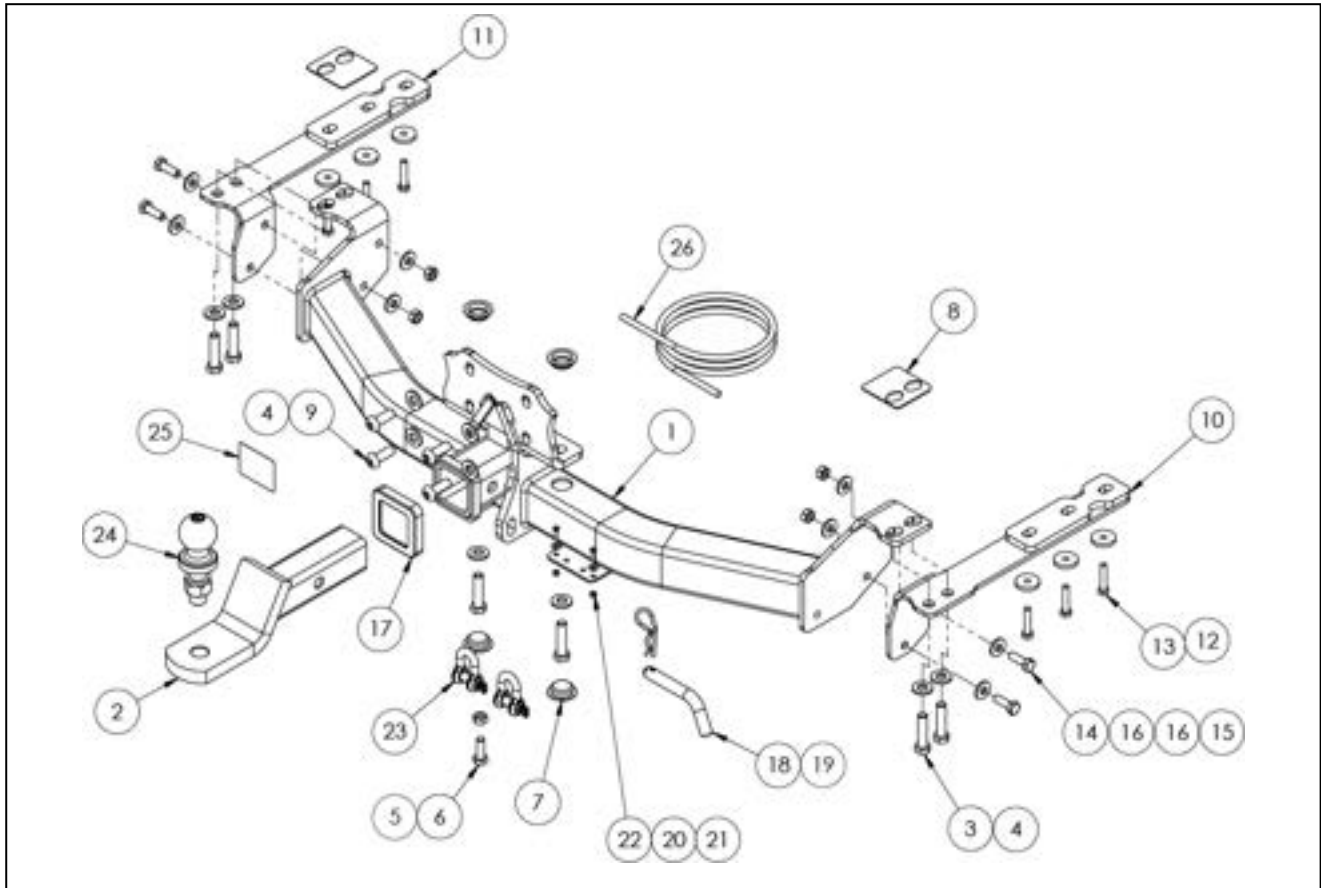
Hitch Pull Pins and spring "R" clips are regularly checked for proper installation. Replace any worn or defective parts.

Cequent Customer Service
Ph: 1800 812 017 Fax: 03 9898 3299
Email: info@cequent.com.au
Post: PO Box 4050, Dandenong South VIC 3175

TRAILBOSS

Towbar Fitting Instructions
 To Suit **TOYOTA PRADO FLAT TAIL GATE CL4**
 Part Number **QT1136L**
 Rating **3000/300 kg**

PLACE THESE INSTRUCTIONS IN THE VEHICLE'S GLOVEBOX AFTER INSTALLATION IS COMPLETED



ITEM	DESCRIPTION	QTY
1	WELDED ASSEMBLY	1
2	CLASS 4 TBM	1
3	SET SCREW M12-1.25x50 GR 8.8 Z/P	6
4	WASHER PLAIN 1/2X1-1/8X16G	10
5	HEX NUT M10x1.5	1
6	SETSCREW HXHD M10X30X1.5P G8.8	1
7	PLASTIC CAP BLACK	4
8	SHIM PLATE	2
9	SCREW BUTTON M12 X35X 1.25P G12.9	4
10	TOYOTA PRADO RH SIDE ARM ASSY	1
11	TOYOTA PRADO LH SIDE ARM ASSY	1
12	WASHER FT M8 - 8.1 X 32 X 5MM Z/P	6
13	M8 x 40mm BOLT	6

ITEM	DESCRIPTION	QTY
14	SETSCREW HEX HD M10 X 30 X 1.25	4
15	NUT HEX HD M10 X 1.25P G8	4
16	WASHER PLAIN M10 X 25 X 3	8
17	HITCH BOX COLLAR COVER	1
18	PULL PIN	1
19	R-CLIP SM BENT SILVER MR12 PIN02	1
20	WASHER PLAIN3/16 X 1/2 X 20G	2
21	SCREW PAN HD M4 X 16 X 0.7P G4.6	2
22	NUT NYLON LOCK HEX HD M4X0.7P G8	2
23	10mm "D" SHACKLE	2
24	50mm TOWBALL	1
25	ACRYLIC COMPLIANCE LABEL	1
26	WIRING LOOM	1

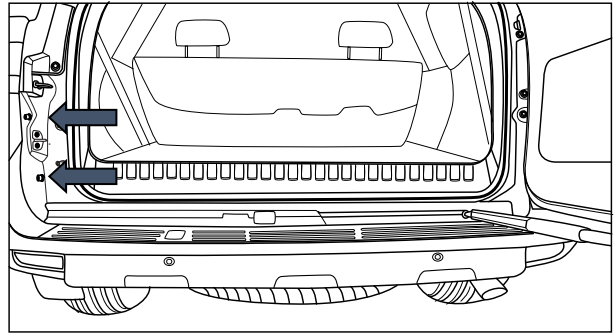
Cequent Customer Service
 Ph: 1800 812 017 Fax: 03 9898 3299
 Email: info@cequent.com.au
 Post: PO Box 4050, Dandenong South VIC 3175

TRAILBOSS

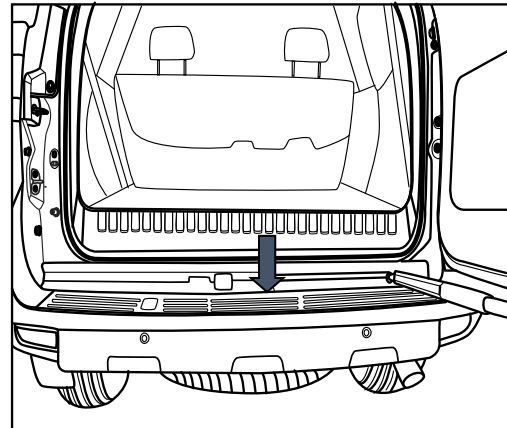
Towbar Fitting Instructions
To Suit **TOYOTA PRADO FLAT TAIL GATE CL4**
Part Number **QT1136L**
Rating **3000/300 kg**

PLACE THESE INSTRUCTIONS IN THE VEHICLE'S GLOVEBOX AFTER INSTALLATION IS COMPLETED

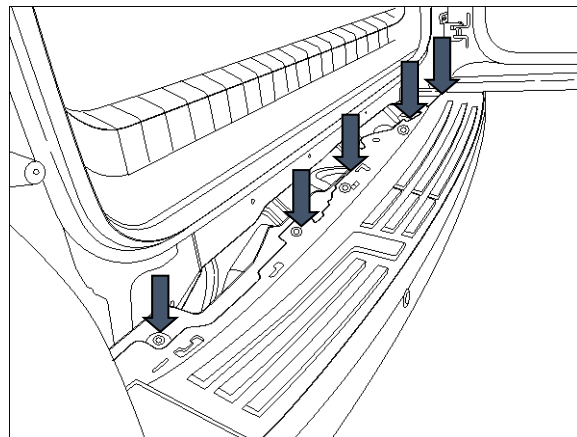
1. Lower spare wheel using spare wheel kit located on the inside panel of the rear door.
2. Release the tailgate to expose the rear cabin. Remove 2 x scrivenets located around boot opening.



3. Using a trim removal tool, carefully extract the rear garnish on top of the bumper.



4. With the bumper fully exposed, remove 5 x set screws located behind plastic trim.



Cequent Customer Service
Ph: 1800 812 017 Fax: 03 9898 3299
Email: info@cequent.com.au
Post: PO Box 4050, Dandenong South VIC 3175

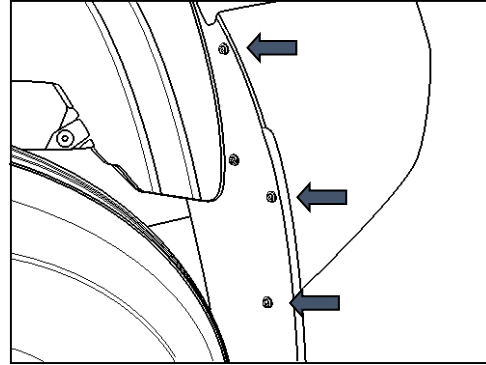
TRAILBOSS

Towbar Fitting Instructions
To Suit **TOYOTA PRADO FLAT TAIL GATE CL4**
Part Number **QT1136L**
Rating **3000/300 kg**

PLACE THESE INSTRUCTIONS IN THE VEHICLE'S GLOVEBOX AFTER INSTALLATION IS COMPLETED

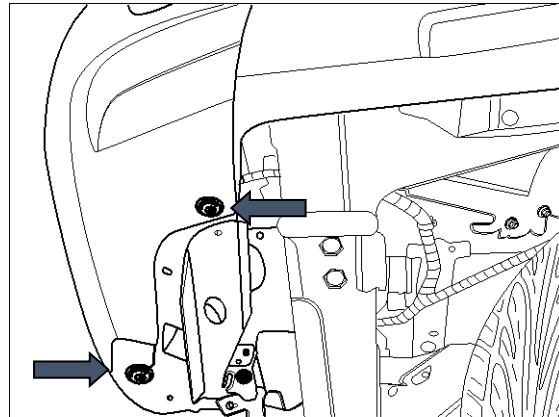
5. On the inside of the wheel arch, remove 1 x set screw and 2 x scrivenets.

Repeat for opposite side.

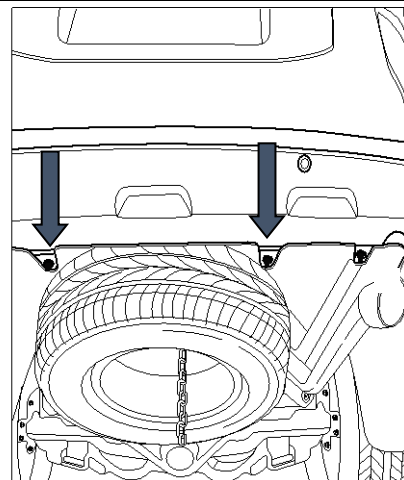


6. Remove 1 x screw and 1 x scrivenet from underneath vehicle on the side.

Repeat for the opposite side.



7. Remove 2 x screws from rear bumper fascia lip on underside of vehicle.



Cequent Customer Service
Ph: 1800 812 017 Fax: 03 9898 3299
Email: info@cequent.com.au
Post: PO Box 4050, Dandenong South VIC 3175

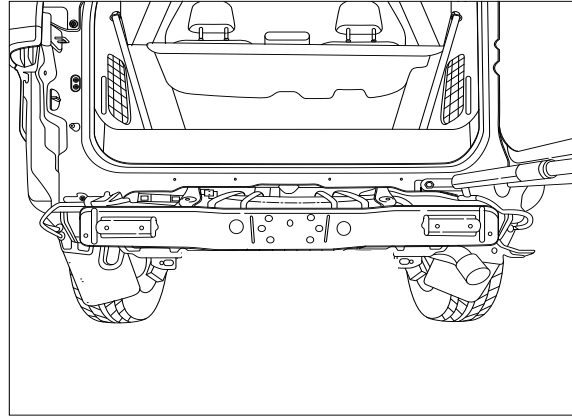
TRAILBOSS

Towbar Fitting Instructions
To Suit **TOYOTA PRADO FLAT TAIL GATE CL4**
Part Number **QT1136L**
Rating **3000/300 kg**

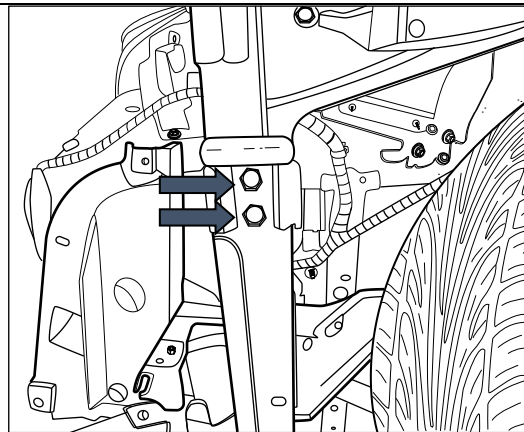
PLACE THESE INSTRUCTIONS IN THE VEHICLE'S GLOVEBOX AFTER INSTALLATION IS COMPLETED

8. Unclip wiring harness connectors on passenger side and reverse sensors if fitted. Repeat for other side.

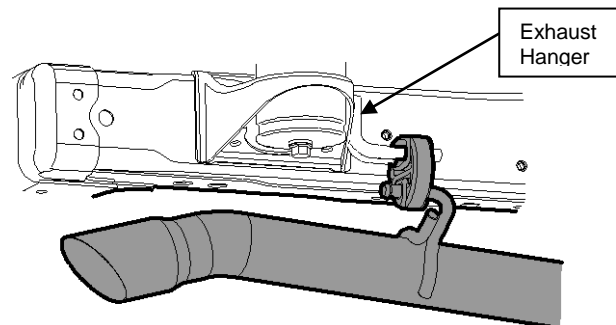
9. Using two people, carefully unclip the bumper assembly and set aside.



10. On the passenger side remove 2 x Set screws and discard the factory shipping hook.



11. Lower exhaust by unhooking from rear most hanger. Lower and support exhaust.



Cequent Customer Service
Ph: 1800 812 017 Fax: 03 9898 3299
Email: info@cequent.com.au
Post: PO Box 4050, Dandenong South VIC 3175

TRAILBOSS

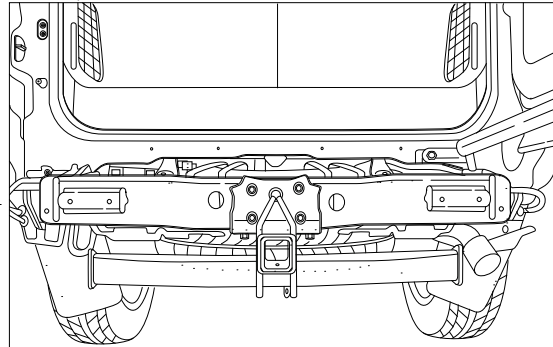
Towbar Fitting Instructions
To Suit **TOYOTA PRADO FLAT TAIL GATE CL4**
Part Number **QT1136L**
Rating **3000/300 kg**

PLACE THESE INSTRUCTIONS IN THE VEHICLE'S GLOVEBOX AFTER INSTALLATION IS COMPLETED

12. Offer the Towbar to the vehicle and loosely secure the bar using the 2 x M12 x 50 x 1.25P Set screws with flat washers to the centre mount on bottom side.

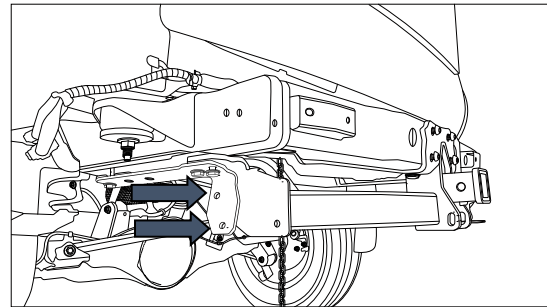
NOTE: Access holes are designed into the towbar for access to the centre vertical mounts.

Use the 4 x Button Head M12 x 35 x 1.25 P to secure the towbar onto the centre mount of the vehicle.



13. Loosely secure side arm to towbar with 2 x M10 x 30mm bolt complete with 2 x washers and 1 x nut per bolt.

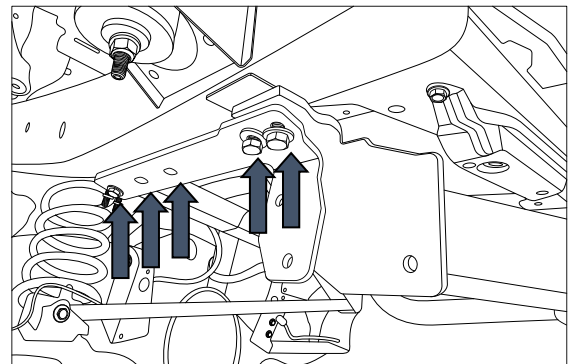
Repeat for opposite side.



14. Loosely secure side arms to chassis rail with 3 x M8 x 40mm bolts complete with 1 x washer per bolt on 3 x forward most mounting points.

Secure side arm and towbar to chassis rail with 2 x M12 x 50 Set screws with flat washers and shim plates on rear horizontal mounts.

Repeat for opposite side.



Cequent Customer Service

Ph: 1800 812 017 Fax: 03 9898 3299

Email: info@cequent.com.au

Post: PO Box 4050, Dandenong South VIC 3175

TRAILBOSS

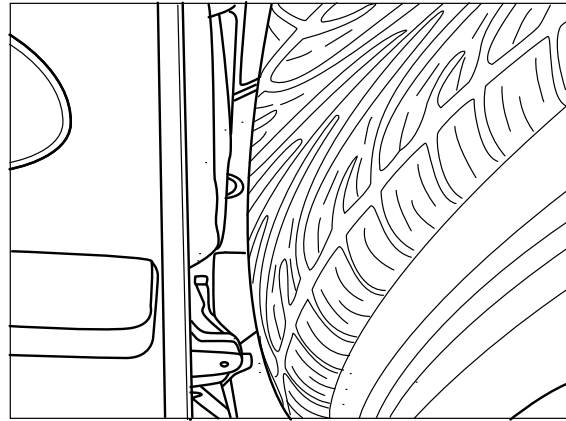
Towbar Fitting Instructions
To Suit **TOYOTA PRADO FLAT TAIL GATE CL4**
Part Number **QT1136L**
Rating **3000/300 kg**

PLACE THESE INSTRUCTIONS IN THE VEHICLE'S GLOVEBOX AFTER INSTALLATION IS COMPLETED

15. With the Towbar loosely secure, it is critical that the factory spare tyre be reset. Push forward on the tyre to the front of the vehicle. Whilst completing this action raise the spare tyre back into place. This will provide sufficient clearance and satisfy the design condition for the towbar.

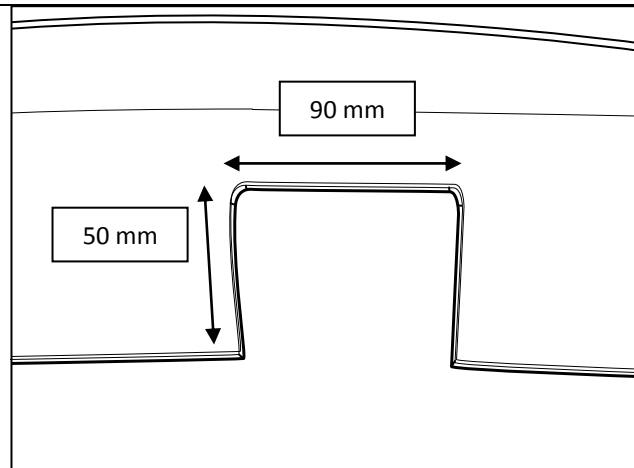
Tighten all fasteners to the torques listed below:

M8 x 40mm x G8.8: 22 N.m
M10 x 30mm x G8.8: 48 N.m
M12 x 50mm x G8.8: 89 N.m
M12 x 35mm x G12.9: 130 N.m



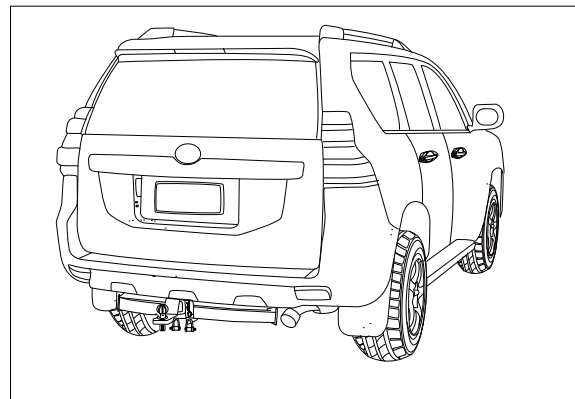
16. Identify the centreline of the bumper. Measure and mark a 50mm tall x 90mm wide rectangle as measured from the bottom edge of the bumper.

Cut the bumper using an appropriate cutting tool ensuring to remove any sharp burrs of edges after cut.



17. Reassemble the bumper bar assembly in the reverse order of removal.

Note: Due to the limited packaging space there may be contact between the Towbar and Bumper. This is a design condition of the towbar and is of no concern.



Cequent Customer Service
Ph: 1800 812 017 Fax: 03 9898 3299
Email: info@cequent.com.au
Post: PO Box 4050, Dandenong South VIC 3175



Wiring Loom Fitting Instructions
To Suit **Toyota Prado Pre-MY14 and Toyota Prado MY14**
Part Number **100210-WL**

Wiring Loom Installation Instructions

Toyota Prado Pre-MY14 and Toyota Prado MY14
Part No: **100210-WL**

Tail Harness Length Required: **1200mm**
ECU: **04826**

Wiring Loom Installation Time: Approx **20 Mins**

Cequent Customer Service
Ph: 1800 812 017 Fax: 03 9898 3299
Email: info@cequent.com.au
Post: PO Box 4050, Dandenong South VIC 3175



Wiring Loom Fitting Instructions
To Suit **Toyota Prado Pre-MY14 and Toyota Prado MY14**
Part Number **100210-WL**

1. Remove all the required trims to gain access to the LHS tail light connectors and the LHS rear quarter area of the vehicle.
2. Connect the Trailer Patch Harness (P/No:100210-WL) to the vehicle breakout connector.
3. Route the Trailer Patch Harness (P/No: 100210-WL) along the rear of the luggage compartment and towards the rear RHS quarter of the vehicle.
4. Connect the Trailer Patch Harness to the ECU module (P/No: 04826).
5. Adhere the ECU module to the interior of the cavity in the area below the LHS tail light.
6. Secure the earth ring terminal to the earthing point located above the LHS tail light cavity opening.
7. Locate the main vehicle harness grommet sitting in the floor of the LHS rear quarter area. Drill a Ø30mm hole to the LHS of the grommet just in front of the vehicle clipping point. File back any rough edges and spray the hole with a rust inhibitor.
8. Secure the Tail Harness (Tail length 1200mm) trailer socket (1) to the towbar mounting bracket using M4 fasteners (not supplied).
9. Route the Tail Harness over to the previously drilled hole and feed the connector into the vehicle.
10. Adjust the harness grommet to the required position and secure grommet with a cable tie (not supplied) and then secure the grommet in place. Secure the harness to the towbar using cable ties (not supplied).
11. Connect the Tail Harness 8-way male connector to the Trailer Patch Harness female connector.
12. Test the Trailer socket using a light board or multi-meter.
13. Secure the all harnesses using cables ties (not supplied).
14. Refit all removed parts and secure all fasteners.
15. Place instructions in glove box after fitment.

Cequent Customer Service
Ph: 1800 812 017 Fax: 03 9898 3299
Email: info@cequent.com.au
Post: PO Box 4050, Dandenong South VIC 3175