

**PRODUCT DETAILS:**

---

<b>Part Number:</b>	QT1141L	<b>Maximum Towing Braked:</b>	3500	kg
<b>ECU Number:</b>	N/A	<b>Maximum Towing Unbraked:</b>	750	kg
<b>Tail Harness Length Required:</b>	400 mm	<b>Maximum Static Ball Load:</b>	350	kg

---

**FITTING DETAILS:**

---

<b>Towbar Installation Time:</b>	10 Mins.	<b>RPA Disable/Other:</b>	NO
<b>Total Installation Time:</b>	40 Mins.		
<b>Bumper Cut Required:</b>	No		

---

**Note:**

- Offer ADR compliant high rise ball mount on LC300 vehicle.
- Ball mount approx. 60mm higher than standard ball mount.
- Ball mount surface approx. 36mm below pull pin centre line.

### TRAILBOSS RECOMMENDS THAT INSTRUCTIONS ARE READ AND UNDERSTOOD COMPLETELY PRIOR TO FITMENT.

#### BEFORE YOU START:

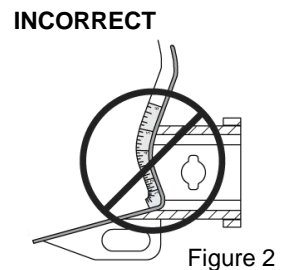
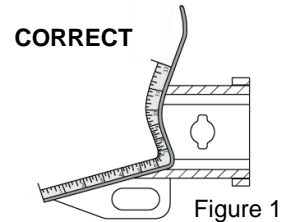
Check all hardware items have been included refer to assembly diagram.  
Please ensure this towbar is only fitted to vehicle models as per Trailboss application guide.

#### Bumper Cuts

Vehicle and bumper variations can and do occur during vehicle manufacture after initial towbar design. Fitment of towbar to vehicle and accuracy of bumper cut must be assessed prior to any bumper modifications made. Incorrect bumper cuts are not covered under Trailboss warranty.

**NOTE: Bumper cuts need to be approached with care, refer to notes below.**

- Bumper centreline – where the centreline of the bumper needs to be determined, the installer must assess centre point by measurement of bumper width or determining two symmetrical reference points to give centreline.
- Bumper edge – To assist with accurate bumper cut measurement, reference to the start of the bumper edge is now being commonly used.
  - Measure from bottom edge along bumper and around corner to the 70 mm point (Figure 1).
  - Do not measure from visible bumper front of corner, upwards (Figure 2).



#### Drilling

- For any required drilling during installation, ensure that the area is clear of fuel, electrical & other components that may be damaged.
- All holes drilled into metal body panels shall have all burrs & swarf removed then coated with a suitable rust preventative paint.

#### Bolts/Fasteners

- Ensure that all hardware is fastened to correct torque as specified in this fitting instruction.
- All fasteners supplied with this product are used to achieve a specified clamp loading. If replacement is required ensure that fasteners of the same grade and class are used.

**NOTE: Achieving correct torque is critical to proper installation and responsibility of the installer. Towbar failures attributed to tension issues from over tightening or under tightening are not covered by Trailboss warranty.**

#### Product Labels

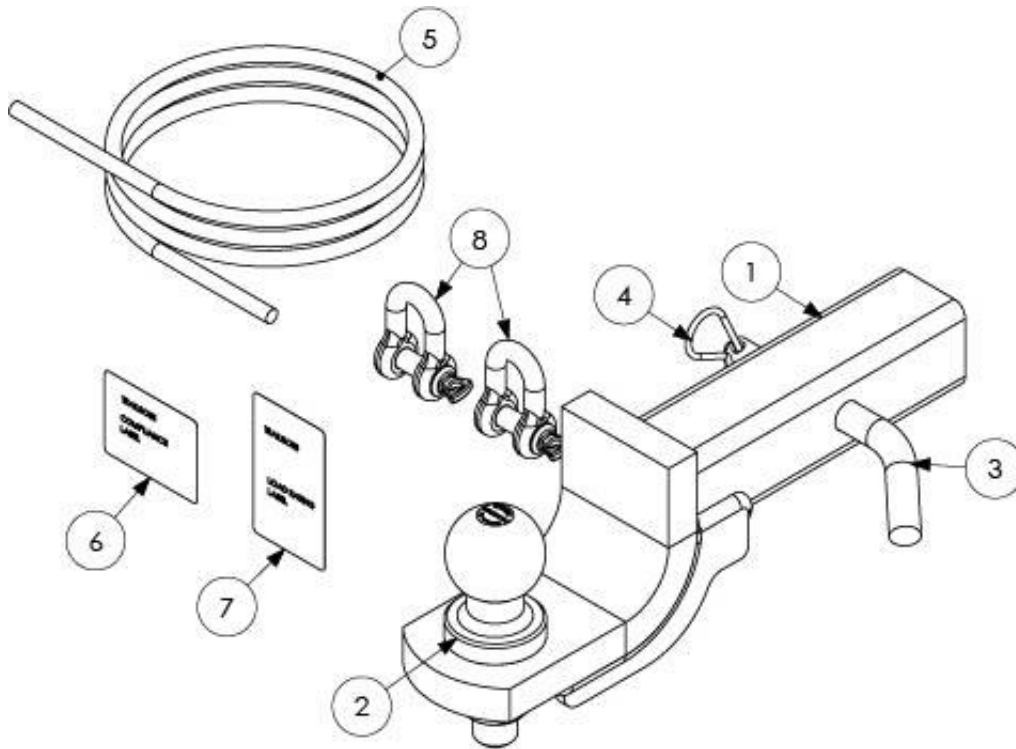
- a. Towbar load rating sticker provided with this product shall be conspicuously located on inside rear end of the driver's door.

### WARNING:

**Do not, drill, cut, weld or otherwise modify the towbar.**

**FOR TOWING PURPOSES ONLY - This towbar is designed and tested by Trailboss to adhere to ADR 62/02 which provides only for the expected load demands of towing.**

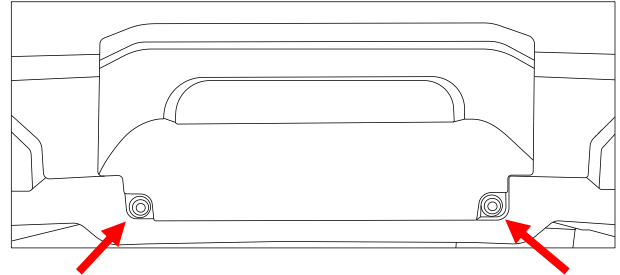
### **i** TOWBAR ASSEMBLY DIAGRAM



ITEM	DESCRIPTION	QTY
1	TBM ASSEMBLY	1
2	TOWBALL 50mm	1
3	PULL PIN	1
4	R CLIP	1
5	WIRING LOOM	1
6	COMPLIANCE LABEL	1
7	LOAD RATING LABEL	1
8	"D" SHACKLE 10mm	2

1. Remove rear bumper cover in the centre of vehicle.

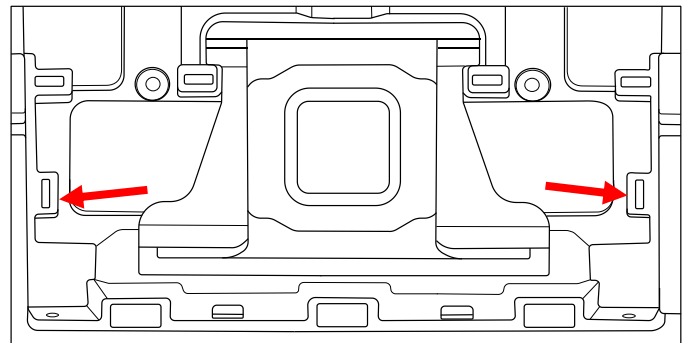
Remove the 2 X Scrivets from underside of the vehicle.



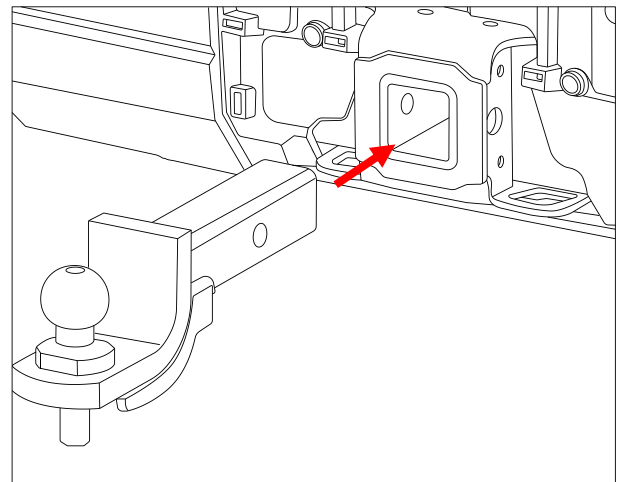
2. Push the two catches outboard to release the cover.

Then push the cover up to remove.

Store the cover inside the trailer ball mount bag provided with the plastic trim plug.

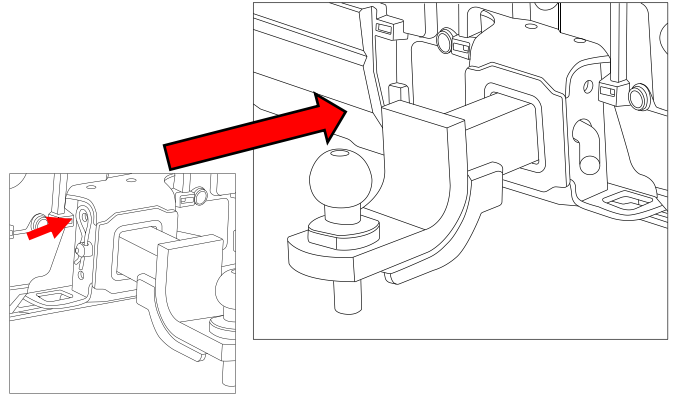


3. Fit TBM inside receive on the back of the vehicle.



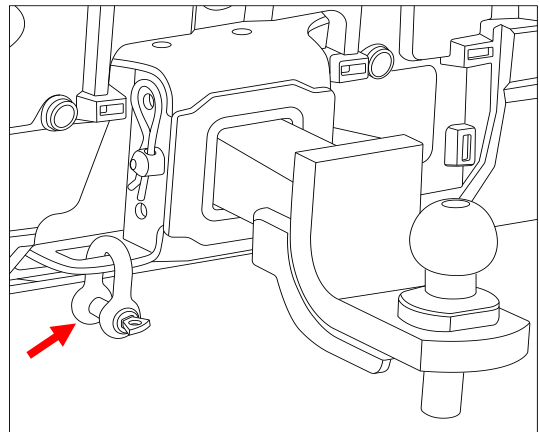
---

4. Fit hitch pin and R-Clip.



---

5. Fit 2 X "D" Shackles



---

6. Important Information

Refit the plastic cover to rear of the vehicle in the reverse of steps 1 through to 2 when not towing.

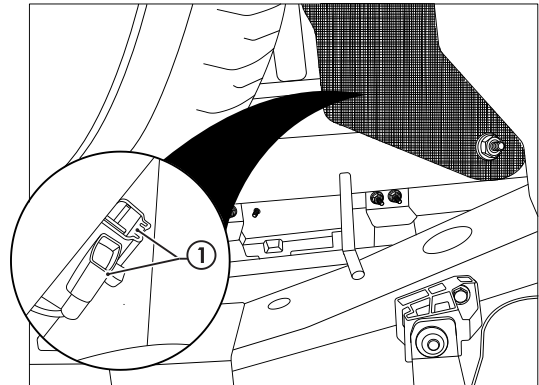
**DO NOT STORE THE TRAILER BALL MOUNT INSIDE THE VEHICLE** damage to the vehicle or occupants may occur if the trailer ball is not secured properly.

---

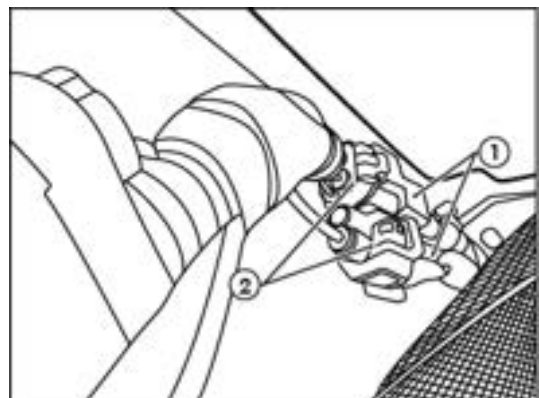
### IMPORTANT

Due to possible vehicle variations, always confirm any noted vehicle colour wires with a multi-meter to ensure the correct function is identified before soldering or scotch locking. For vehicle wires denoted with two colours (example; RED/GREEN) the first colour will always be the main wire colour while the second colour is the thinner trace colour on the wire.

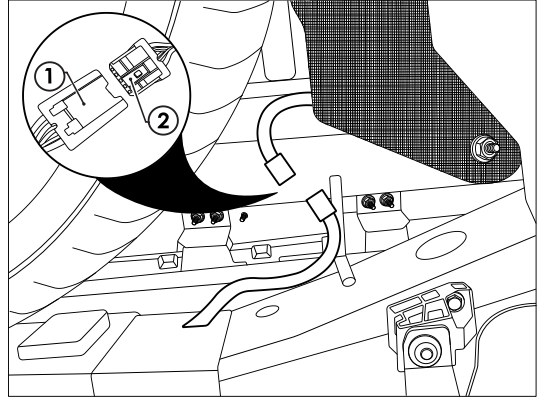
- 
7. On the LHS rear of the vehicle, locate the pre-wire 2-way and 5-way towing connectors **(1)** which are located on the underside of the heat shield and remove the blanking plugs.



- 
8. Connect vehicle towing 2-way and 5-way male connectors **(1)** to the 2-way and 5-way female connectors **(2)** of the trailer wiring harness as shown.



9. Connect the tail harness (tail length 400mm) 8-way connector (1) to the trailer patch mating 8-way connector (2).
10. Use silicone grease to seal the blue connectors.
11. Mount the trailer plug in a suitable location using fasteners not supplied.
12. Secure all harness using supplied cable ties.
13. Test the trailer patch function using a light board or multi-meter.
14. Re-fit all removed parts and secure all fasteners, ensuring there are no squeaks or rattles.
15. Place the fitting instructions in the glove box after fitment.





## CUSTOMER INFORMATION

PLACE THESE INSTRUCTIONS IN THE  
VEHICLE'S GLOVEBOX AFTER INSTALLATION

**THANK YOU FOR PURCHASING TRAILBOSS. WITH CORRECT MAINTENANCE AND CARE  
THIS PRODUCT WILL PROVIDE A LIFETIME OF TROUBLE-FREE OPERATION.**

### **TOWBAR MAINTENANCE AND CARE:**

1. Trailboss recommend that the towbar LUG or TBM (Trailer Ball Mount) Pull Pin and R-clip are removed and stored when not in use. Removal of LUG or TBM (Trailer Ball Mount) is advisable when not in use to assist with any of the following.
  - Ensure rear number plate is not obscured.
  - Allow maximum available departure angle and prevent any potential interference.
  - Prevent possible interference with vehicles reverse sensors or camera detecting a tow ball mount as an obstruction during reversing.
  - Removes towball mount as an obstruction for when moving around the rear of the vehicle.
2. Trailboss recommends routine inspection of your towbar to ensure trouble free towing.
  - Bolt security and tension should be regularly inspected and checked for correct tension. Replace any worn or defective parts with suitable grade & class fasteners. Inspection should be requested to coincide with vehicle major services.
3. It is the owner's responsibility to ensure towing and down ball weight capacities of the towing vehicle are not exceeded.
  - Towing and down ball weights allowable may differ according to model variations. Please refer to owner's manual or vehicle dealer to confirm exact rating for your vehicle model variant.
  - It is not uncommon for the vehicle tow rating to differ from the towbar rating. When this occurs, the lesser rating must be adhered to.
  - For vehicles fitted with enhanced vehicle functions that may be altered/changed when towing i.e Trailer sway mitigation, blind spot detection, adaptive cruise control etc. Please consult owner's manual to understand changes enabled when towing and after towing.

### **WARRANTY INFORMATION:**

Trailboss Towbars are covered by a Lifetime Warranty.

Our goods come with guarantees that cannot be excluded under the Australian Consumer Law. You are entitled to a replacement or refund for a major failure and for compensation for any other reasonably foreseeable loss or damage. You are also entitled to have the goods repaired or replaced if the goods fail to be of acceptable quality and the failure does not amount to a major failure.

For further details please contact customer service on 1800 812 017.