



Towbar Fitting Instructions
To Suit Toyota Hilux 4 X 4 Ute Bodies Without Rear Step
Part Number QT554L

WARNING:

Do not, drill, cut, weld or otherwise modify the Towbar.
If you are using electric welding on a motor vehicle, **always** check that the vehicle is not equipped with electronic engine or instrument management equipment. Failure to do so could **destroy** any onboard **computers**. If in doubt, check with the vehicle's manufacturer.

CAUTION TWO PERSON LIFT REQUIRED TO FIT THIS PRODUCT

Part Number	QT554L	Towbar Capacity
	04 / 2005 – 08 / 2011	Max Towing Braked 2250 kg Max Static Ball Load 225 kg
	09 / 2011 onwards	Max Towing Braked 2500 kg Max Static Ball Load 250 kg

1. Ensure all hardware items have been included.
2. Offer Towbar to chassis rails aligning holes in side plates with captive nuts in chassis rails.
3. Fit 4 M12 x 1.25 bolts flat & spring washers two each into captive nuts loosely.
4. Feed bolts on wire up chassis rails two per side then feed through existing holes.
5. Fit 4 M12 nuts flat & spring washers supplied.
6. Fasten all bolts & nuts to torque listing below.
7. Trim excess wire off bolts on wire that have been fed down the chassis rails.

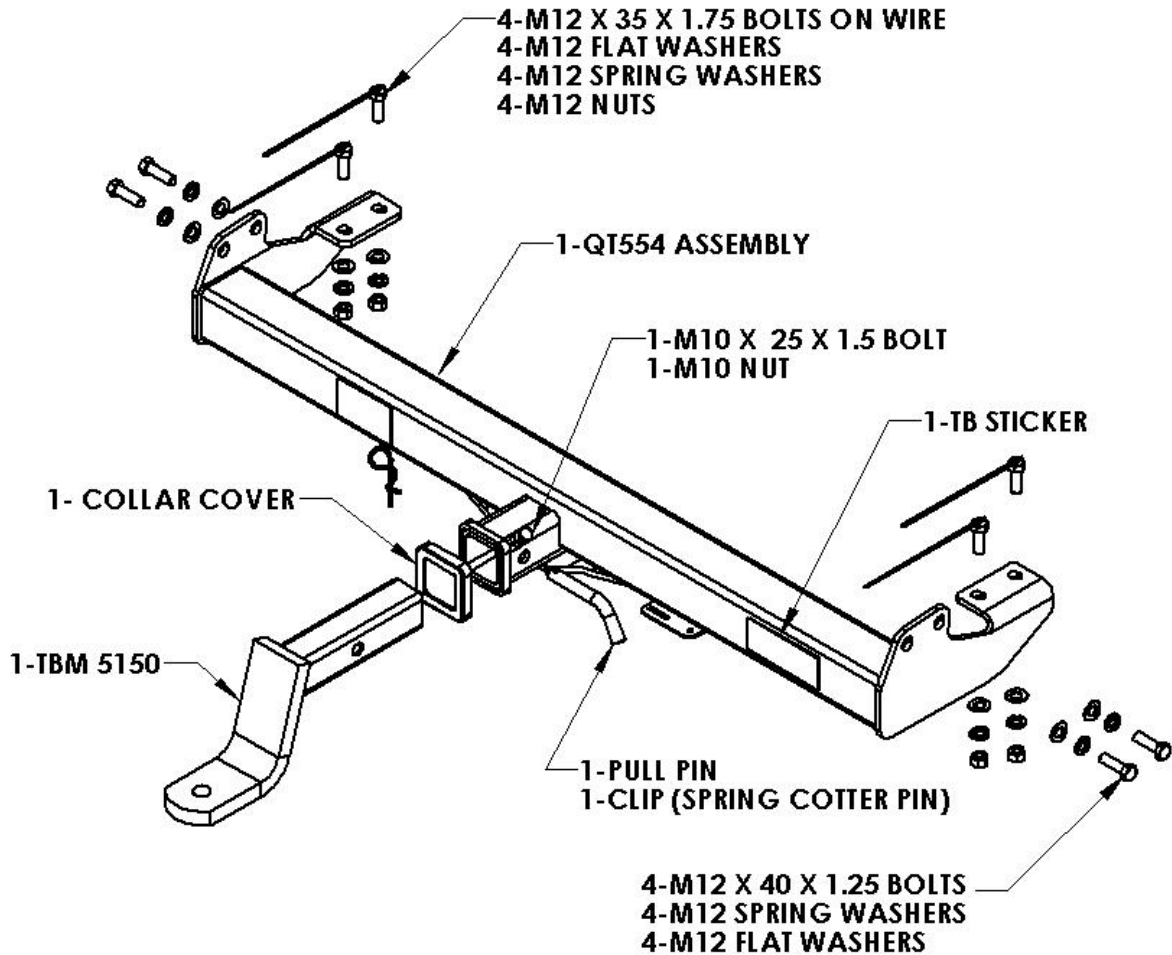
RECOMMENDED ASSEMBLY TORQUE LISTING

<u>Diameter</u>	<u>Grade 8.8 Bolt</u>
	Nm
M6	9.5
M8	21.7
M10	43.4
M12	77.3
M14	121.0
M16	189.8

FOR TOWING PURPOSES ONLY
For towing capacity details please refer to vehicle owner's manual or to the manufacturer. Overloading can void your warranties.

TRAILBOSS

Towbar Fitting Instructions To Suit Toyota Hilux 4 X 4 Ute Bodies Without Rear Step Part Number QT554L



NOTE: Trailboss recommends that you check your towball to ensure it complies with the Australian standard AS 4177.2.

PLEASE NOTE: It is advised to remove lug from receiver box when not actually towing so as to produce a clear view of the vehicles registration plate if obscured, and to also provide increased departure angle.



Wiring Loom Fitting Instructions
To Suit Toyota Hilux
Hilux Cab Chassis & Tub Body – 4x4 & 4x2

Part Number 100002-WL

Wiring Loom Installation Instructions

**Toyota Hilux
Hilux Cab Chassis & Tub Body – 4x4 & 4x2**

Part No: 100002-WL

**Tail Harness Length Required: 1800mm
RPA Override Switch Part No: 04848 (If Fitted)**

Wiring Loom Installation Time: Approx 20 Mins



Wiring Loom Fitting Instructions
To Suit Toyota Hilux
Hilux Cab Chassis & Tub Body – 4x4 & 4x2

Part Number 100002-WL

1. Disconnect and remove the tail light on both sides of the vehicle by removing the two fasteners on each tail light assembly.
2. From underneath the vehicle, route the Trailer Patch Harness (P/No:100002-WL) connectors up the RHS tail light cavity.
3. Patch the Trailer Patch Harness RHS connectors in between the tail light connectors.
4. Refit the RHS tail light assembly.
5. Underneath the vehicle, route the Trailer Patch Harness over the support bar and along the vehicle harness towards the LHS tail light cavity.
6. Retrieve the Trailer Patch Harness connectors.
7. On the Tail Harness (length 1800mm) and mating connector, apply electrical grease or silicon on to the back of the connectors to make them water proof.
8. Connect the Trailer Patch Harness tail connector and the Tail Harness connector together.
9. Reconnect the LHS tail lights and refit the tail light assembly.
10. Mount the Tail Harness socket to the towbar mounting plate using M4 fasteners.
11. Test the Trailer socket using a light board or multi-meter.
12. Secure the all harnesses using cables ties (not supplied). Refit all removed parts and secure all fasteners. Place instructions in glove box after fitment.