



Towbar Fitting Instructions
To Suit BMW X5 04/01-on
Part Number QTBM100B
Rating 2700Kg

1. Ensure all hardware items have been included
2. Remove the spare wheel cover and the spare wheel.
3. Remove left and right boot trims.
4. Remove the rear bumper as per diagrams 1, 2, 3 & 4.
5. Remove and discard rear towing hook assembly and bolts.
6. Remove rear exhaust hangers and heat shields on both sides. Support rear mufflers.
7. From under vehicle, remove and discard four rubber grommets, two per side from sub frame to expose access holes diagram 6.
8. Refer to diagram 5 for wiring loom.
9. With tail gate in down position lift towbar up into position sliding towbar arms up inside of vehicle sub frame and fit bolts as per diagrams 5 & 6.
10. From inside of vehicle boot area break seal and fit four M10x30 bolts, spring washers and flat washers through existing brackets and into top of vehicle side members refer to diagram 7.
11. Tighten all bolts to torque listing below.
12. Refit heat shields and rear exhaust hangers.
13. Reposition bumper bar making sure to feed park distance control wire through access hole in rear body panel.
14. Push bumper bar back into position and fit torx head bolts, refer to diagram 8.
15. Refit bumper screws to wheel arches.
16. Refit spare wheel, boot trims and spare wheel cover.

RECOMMENDED ASSEMBLY TORQUE LISTING

<u>Diameter</u>	<u>Grade 8.8 Bolt</u>
	Nm
M6	9.5
M8	21.7
M10	43.4
M12	77.3
M14	121.0
M16	189.8

Towbar Fitting Instructions
 To Suit BMW X5 04/01-on
 Part Number QTBM100B
 Rating 2700Kg

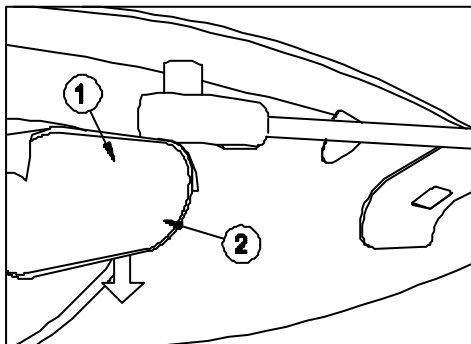
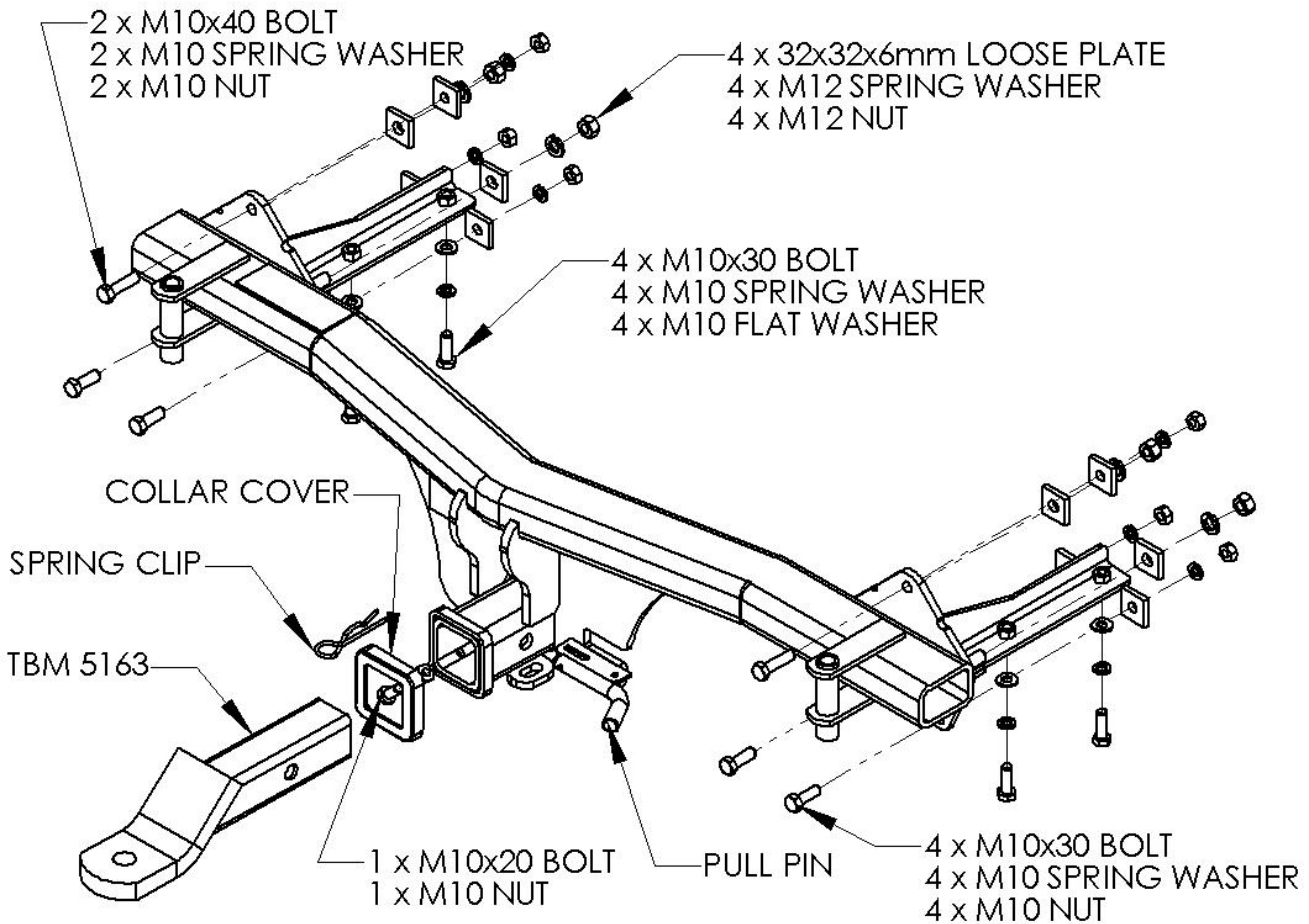


Diagram 1

Attach adhesive tape to tail pipes to avoid damage (1).
 Pull tail pipes downwards and remove bolts with T55
 socket.

Towbar Fitting Instructions
To Suit BMW X5 04/01-on
Part Number QTBM100B
Rating 2700Kg

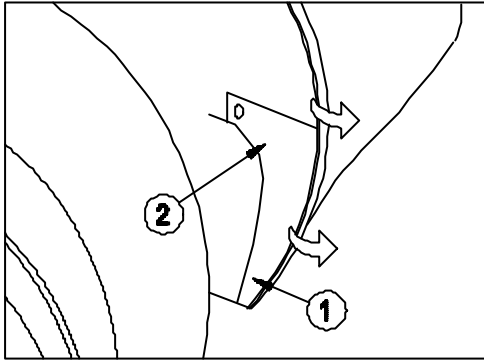


Diagram 2

Remove screws (1) from wheel arches. Versions with out park distance control open rear lids. Lever out trim (2) from left & right wheel arches and remove bumper.

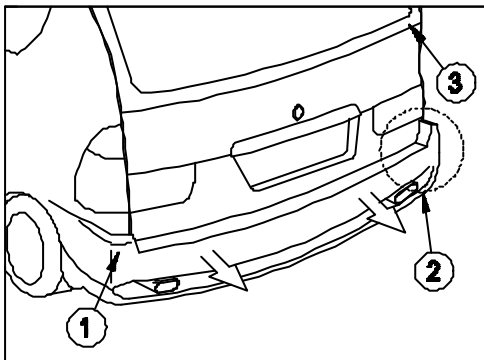


Diagram 3

Versions with park distance control. Open rear lids (3) for detaching and then close again. Pull back bumper (1) in right area (2) until plug connection for P.D.C is accessible. Disconnect Plug.

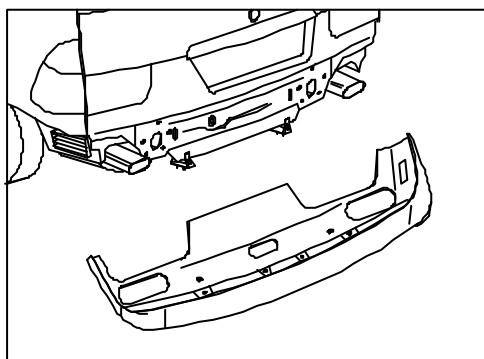


Diagram 4

Feed out plug through access hole in rear body panel and remove bumper.

TRAILBOSS

Towbar Fitting Instructions To Suit BMW X5 04/01-on Part Number QTBM100B Rating 2700Kg

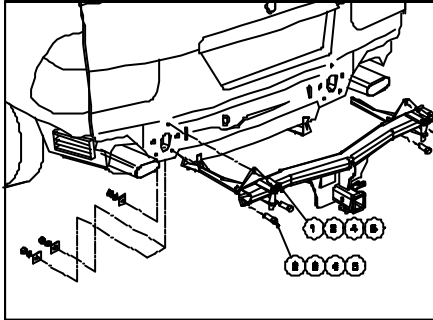


Diagram 5

Remove large plug from rear panel to allow fitment of wiring loom.

Lift towbar up into position and fit bolts M10 x 40 (1), M10 X 30 (2), loose plates (3), M10 spring washers (4) and M10 nuts (5) as per diagram. Fit wiring plug to towbar.

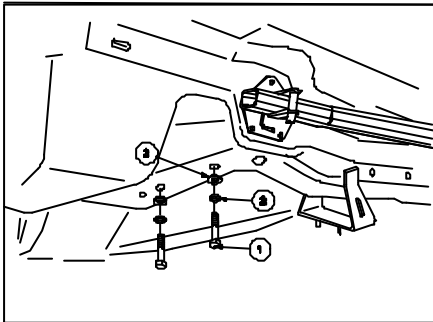


Diagram 6

Fit four bolts M10 X 30 (1), M10 spring washers (2) and M10 flat washer (3) as per diagram.

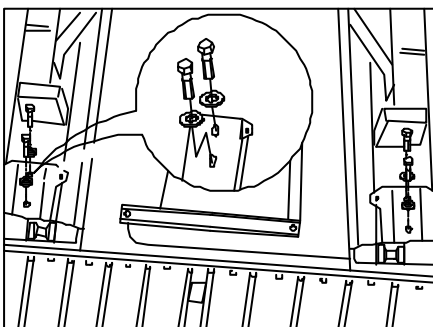


Diagram 7

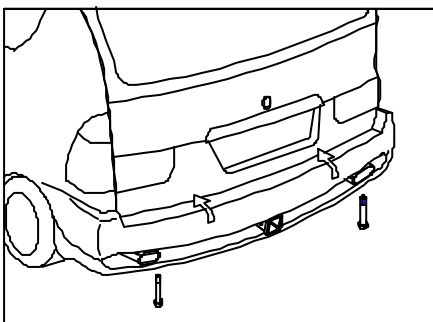


Diagram 8