

# TRAILBOSS

## Towbar Fitting Instructions To Suit **BMW X4 F26 Series May 2014 Onwards** Part Number **BM7L** Rating **2400/240 kg**

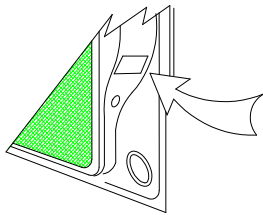
PLACE THESE INSTRUCTIONS IN THE VEHICLE'S GLOVEBOX AFTER INSTALLATION IS COMPLETED

### **WARNING:**

1. Do not, drill, cut, weld or otherwise modify the tow bar.
2. If you are using electric welding on a motor vehicle, **always** check that the vehicle is not equipped with electronic engine or instrument management equipment. Failure to do so could **destroy** any onboard computers. If in doubt, check with the vehicle's manufacturer.
3. The high tensile fasteners supplied with this product were used to achieve the specified rating. If replacement is required ensure that fasteners of the same rating & quality are used. Contact an authorised **Trailboss** dealer if further information is required.
4. If TBM is used in inverted position tow ball may make contact with rear tailgate when lowered, which could cause damage.

### **General:**

1. Ensure all hardware items have been included refer to assembly diagram.
2. It is recommended that the instructions are read through and completely understood before making any attempt to fit this product.
3. Be wary of any changes to vehicle designs or other accessories that may conflict with the installation of this product.
4. Before drilling ensure that the area is clear of fuel, electrical & other components.
5. All holes drilled into the body panels shall have all burrs & swarf removed then coated with a suitable rust preventative paint.
6. For vehicles that require the bumper to be cut. Ensure cut out area is in correct position on the vehicle prior to cutting the bumper.
7. The high tensile fasteners supplied with this product were used to achieve the specified rating. If replacement is required ensure that fasteners of the same rating & quality are used. Contact an authorized **Trailboss** dealer if further information is required.
8. Ensure that all hardware is fastened to torque list below check fasteners on regular basis.
9. Tow bar load rating sticker provided with this product shall be conspicuously located on inside rear end of the driver's door. **(See diagram below).**
10. Trailboss recommends that you check your tow ball to ensure that it complies with the Australian standards **AS 4177.2**.
11. **PLEASE NOTE:** It is advised to remove your lug or tbm when not actually towing so as to produce a clear view of the vehicles registration plate if obscured, and to also provide maximum available departure angle
12. Pull Pin must be fit in down position.



Place load rating sticker  
inside driver's door here

**FOR TRAILER TOWING PURPOSES ONLY**  
For towing capacity details please refer to vehicle owner's manual or to the manufacturer. Overloading can void your warranties.

### **RECOMMENDED ASSEMBLY TORQUE LISTING**

Diameter	Grade 8.8 Bolt
M6	9.5 Nm
M8	21.7 Nm
M10	43.4 Nm
M12	77.3Nm
M14	146 Nm
M16	189.8 Nm

### **Tow bar Maintenance and Care.**

Trailboss recommends that bolt torque's, as listed below, are routinely and regularly inspected and checked for correct tension. Replace any worn or defective parts.

We recommended to remove Tow Ball Mounts (TBM's, tongues or lugs) when not being used for any considerable length of time.

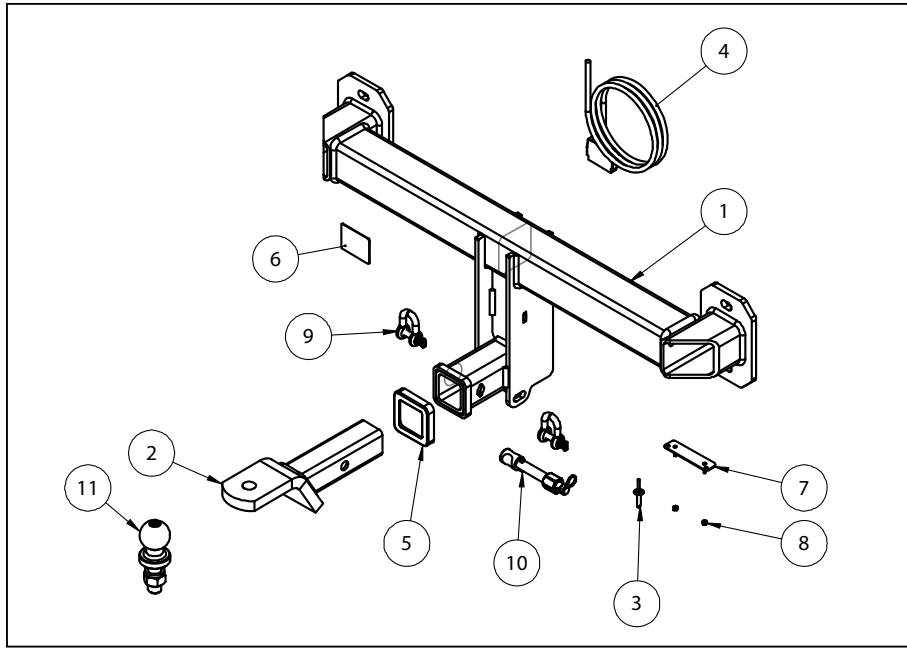
So as to avoid injury, when not towing it is suggested that the tongue, Pull Pin and R-clip are removed then stored in a safe, clean and dry place, away from excessive moisture.

Hitch Pull Pins and spring "R" clips are regularly checked for proper installation. Replace any worn or defective parts.

# TRAILBOSS

Towbar Fitting Instructions  
To Suit **BMW X4 F26 Series May 2014 Onwards**  
Part Number **BM7L**  
Rating **2400/240 kg**

PLACE THESE INSTRUCTIONS IN THE VEHICLE'S GLOVEBOX AFTER INSTALLATION IS COMPLETED



QTY.	DESCRIPTION	ITEM NO.
1	BMW X4 F26 SERIES	1
1	CLASS 4 TBM	2
10	POP RIVET	3
1	WIRING LOOM	4
1	HITCH BOX COLLAR COVER	5
1	ACRYLIC COMPLINCE PLATE	6
1	PLUG BRACKET	7
2	NUT NYLOC M4-0.7 Z/P	8
1	10mm "D" SHACKLE	9
1	ANTI-RATTLE PULL PIN ASSY	10
1	50mm TOWBALL	11



Towbar Fitting Instructions  
To Suit **BMW X4 F26 Series May 2014 Onwards**  
Part Number **BM7L**  
Rating **2400/240 kg**

PLACE THESE INSTRUCTIONS IN THE VEHICLE'S GLOVEBOX AFTER INSTALLATION IS COMPLETED

**INSTRUCTION:**

1. On the underside of the Bumper remove 5 x Screws and 4 x Nuts.
2. On the left and right hand side of the underside of the Bumper. Remove 3 x Screws.
3. Remove 5x Pot Rivets located on the inside of the guard. These will need to be broken off and replaced using the items supplied. Repeat for passenger and drivers side. Remove 1 x Screw on inside guard liner. Repeat for passenger and drivers side.
4. Carefully remove the guard moulding to expose mounting Screws concealed underneath. Repeat for both passenger and drivers side.
5. Remove 2 x Set Screws securing the Bumper to the body of the vehicle. Repeat for both passenger and drivers side.
6. Remove reflector located on both passenger and drivers side corners of rear bumpers. Remove 1 x Set screws concealed by the reflector, repeat for passenger and drivers side.
7. Carefully remove plastic cover concealing mounting hardware securing tail lights. Remove 2 x Nuts and disconnect tail light wiring loom Remove 1 x Set Screw on top of bumper. Repeat for passenger and drivers side.
8. Carefully remove the bumper by peeling away at each guard working towards the centre of the bumper. Disconnect any factory fitted reverse sensors.
9. Remove and discard factory impact beam by unscrewing 4 x Nuts.  
  
Retain factory fasteners (4 x Nuts) and fit Towbar to vehicle. Torque nuts to 125Nm or as specified on Page 2 of this document.
10. With the Towbar fitted, loosely attach underside bumper trim to the vehicle. Mark out centre section of the towbar on to trim and cut accordingly. Add approximately 5mm around area to allow for sufficient clearance.
11. Re-attach Towbar to vehicle by following steps 1-8 in reverse.



Wiring Loom Fitting Instructions  
To Suit BMW X3  
Part Number 100700-WL

## Wiring Loom Installation Instructions

BMW X3  
Part No: 100700-WL

(2010 – 2012) ECU Required: 04828  
(2012 – Onwards) ECU Required: 04826  
Tail Harness Length Required: 1200mm

Wiring Loom Installation Time: Approx 30 Mins

**Note: Factory RPA cannot be overridden, however it can be disabled through a switch on the vehicle dash.**

## Wiring Loom Fitting Instructions To Suit BMW X3 Part Number 100700-WL

1. In the luggage compartment, remove the floor carpet cover.
2. Remove the centre tool tray by first releasing the six clips.
3. Remove the LHS & RHS luggage compartment trims.
4. On the RHS of the luggage compartment, release the T20 torx bit screw and the two scrivenets.
5. Remove the RHS storage compartment.
6. Dislodge the RHS carpet cover by first releasing the clip.
7. On the RHS rear quarter of the luggage compartment floor, drill a Ø30mm in the vehicle sheet metal (1), as shown in the image below.



8. File any rough or sharp edges and spray on rust inhibitor.
9. On the LHS of the luggage compartment, following the table below, connect the ezy tap to the vehicle harness wire and then connect the trailer patch terminal to the corresponding wire.

Function	Trailer Patch	Vehicle Connector
LIND	YELLOW / BLACK	BLUE / GREEN

10. Route the trailer patch (P/No: 100700-WL) along the rear of the luggage compartment and towards the RHS tail light area.

# TRAILBOSS

## Wiring Loom Fitting Instructions To Suit BMW X3 Part Number 100700-WL

**The following step is for (2010 – 2012) vehicle models only. For (2012-Onwards) vehicle models, please proceed to step 12.**

11. Following the table below, connect the ezy taps to the vehicle harness wires and then connect the trailer patch terminals to the corresponding wires.

Function	Trailer Patch	Vehicle Connector
R.IND	GREEN / BLACK	BLUE / BROWN
REVERSE	BLACK / WHITE	BLUE / BLACK
TAIL / BRAKES	BROWN / BLACK	YELLOW

**The following step is for (2012 – Onwards) vehicle models only. For (2010-2012) vehicle models, please refer to step 11.**

12. Following the table below & using the ECU patch piece, connect the ezy taps to the vehicle harness wires and then connect the trailer patch terminals to the corresponding wires.

Function	Trailer Patch	Vehicle Connector
R.IND	GREEN / BLACK	BLUE / BROWN
REVERSE	BLACK / WHITE	BLUE / BLACK
TAIL	BROWN / BLACK (Patch)	YELLOW
BRAKES	BROWN / BLACK	YELLOW / PURPLE

13. Remove the vehicle 20A 'Trailer' fuse and insert it into the lower slot of the add-a-fuse harness.
14. Insert a supplied 20A fuse into the upper fuse slot on the add-a-fuse harness.
15. Connect the trailer patch 'ORANGE' power wire 1-way connector to the add-a-fuse 1-way mating connector.
16. Connect the add-a-fuse to the vehicle fuse panel into the now unoccupied fuse location.
17. Connect the trailer patch 12-way connector to the ECU.
18. Adhere the ECU to the vehicle sheet metal next to rear battery.
19. Secure the trailer patch ground ring terminal to the vehicle sheet metal, using a self tapping tech screw, on the RHS rear of the luggage compartment.
20. Mount the trailer socket to the towbar mounting bracket using M4 fasteners (not supplied).
21. Route the tail patch up through the previously drilled out grommet hole and towards the trailer patch.
22. Ensure the tail harness grommet is seated correctly and secured in place using a cable tie (not supplied).
23. Connect the trailer patch 8-way connector to the tail harness (tail length 1200mm) mating connector.



Wiring Loom Fitting Instructions  
To Suit BMW X3  
Part Number 100700-WL

24. Test the Trailer Harness function using a light board or multi-meter.
25. Secure all harnesses using cables ties (not supplied).
26. Re-fit all removed parts and secure all fasteners, ensuring there are no squeaks or rattles.
27. Place the instructions in the glove box after fitment.



# FITTING INSTRUCTIONS

## Silent Anti-Rattle Hitch Pin (PR0001)

• These fitting instructions are supplied to ensure understanding of how the HITCH PIN should be fitted and used correctly.

• Once installed, we recommend **ALL** instructions are kept and placed in the vehicle glove box.

**NOTE: Routine maintenance and inspection of the towbar & HITCH PIN is required. Regularly inspect for wear and check the tightness of the Hitch Pin. Follow instructions below to retighten the nut when necessary.**

**\*Do not tow with your vehicle if the R CLIP or the HITCH PIN is loose or missing. Replacement parts are available from your Pro Series Distributor.**

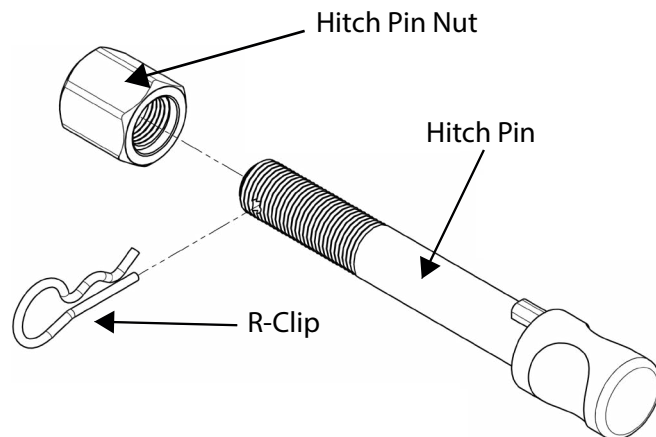


Fig 1. Silent Anti-Rattle Hitch Pin assembly

### STEP 1

Insert Trailer Ball Mount (TBM) into towbar HITCHBOX, aligning hole in TBM SHANK with hole in HITCHBOX (Fig 2).

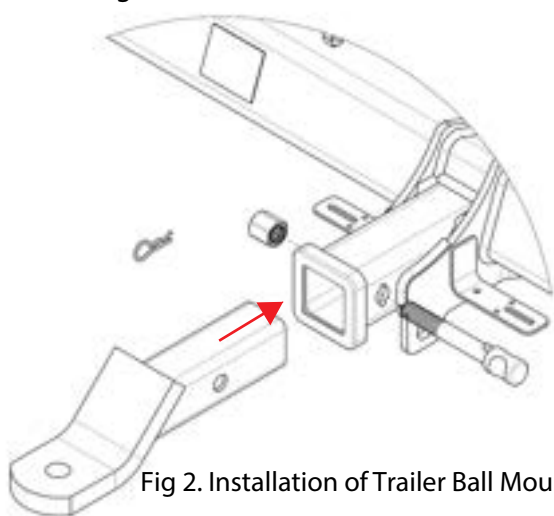


Fig 2. Installation of Trailer Ball Mount

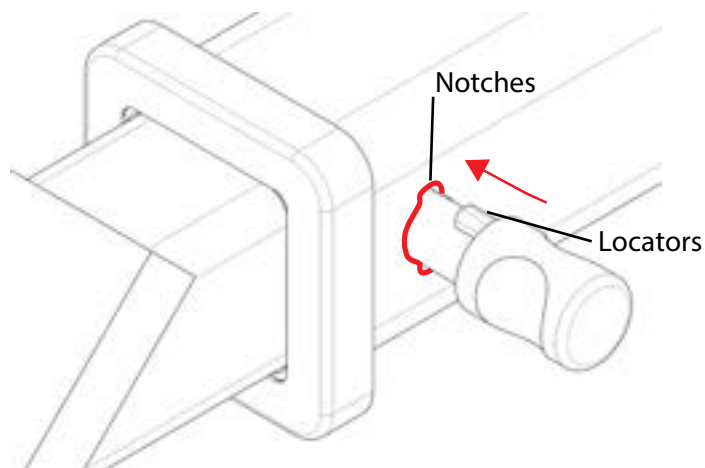


Fig 3. Silent Anti-Rattle Hitch Pin orientation

### STEP 2

Insert HITCH PIN through hole in HITCHBOX and hole in TBM SHANK; ensure the LOCATORS are inserted into the NOTCHES in the HITCHBOX (Fig. 3).

### STEP 3

Screw HITCH PIN NUT onto HITCH PIN ; tighten HITCH PIN NUT until finger tight, ensuring TBM is restrained from movement.

### STEP 4

Tighten HITCH PIN NUT by turning nut a further 1/8th of a turn in the clockwise direction using a 24mm spanner (Fig. 4).

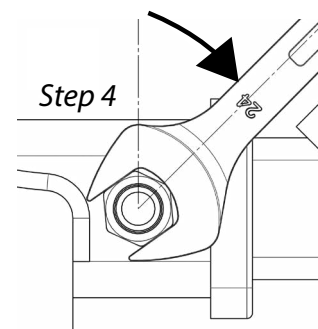


Fig 4. Tightening of Silent Anti-Rattle Hitch Pin Nut

### STEP 5

Install HITCH PIN R CLIP through the hole on the HITCH PIN (Fig. 1).