

TRAILBOSS

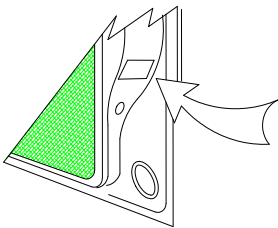
Towbar Fitting Instructions
To Suit **Mitsubishi Triton dual cab non step** 10/09-on
Part Number **QTCL643L**
Rating **3000 - 300 kg**

WARNING:

1. Do not, drill, cut, weld or otherwise modify the tow bar.
2. If you are using electric welding on a motor vehicle, **always** check that the vehicle is not equipped with electronic engine or instrument management equipment. Failure to do so could **destroy** any onboard computers. If in doubt, check with the vehicle's manufacturer.

General:

1. Ensure all hardware items have been included refer to assembly diagram.
2. It is recommended that the instructions are read through and completely understood before making any attempt to fit this product.
3. Be wary of any changes to vehicle designs or other accessories that may conflict with the installation of this product.
4. Before drilling ensure that the area is clear of fuel, electrical & other components.
5. All holes drilled into the body panels shall have all burrs & swarf removed then coated with a suitable rust preventative paint.
6. For vehicles that require the bumper to be cut. Ensure cut out area is in correct position on the vehicle prior to cutting the bumper.
7. The high tensile fasteners supplied with this product were used to achieve the specified rating. If replacement is required ensure that fasteners of the same rating & quality are used. Contact an authorized **Trailboss** dealer if further information is required.
8. Ensure that all hardware is fastened to torque list below check fasteners on regular basis.
9. Tow bar load rating sticker provided with this product shall be conspicuously located on inside rear end of the driver's door. **(See diagram below).**
10. Trailboss recommends that you check your tow ball to ensure that it complies with the Australian standards **AS 4177.2.**
11. **PLEASE NOTE:** It is advised to remove your lug or tbn when not actually towing so as to produce a clear view of the vehicles registration plate if obscured, and to also provide maximum available departure angle



Place load rating sticker
inside driver's door here

FOR TOWING PURPOSES ONLY

For towing capacity details please refer to vehicle owner's manual or to the manufacturer. Overloading can void your warranties.

RECOMMENDED ASSEMBLY TORQUE LISTING

Diameter Grade 8.8 Bolt

| | |
|------------|-----------------|
| M6 | 9.5 Nm |
| M8 | 21.7 Nm |
| M10 | 43.4 Nm |
| M12 | 77.3Nm |
| M14 | 146 Nm |
| M16 | 189.8 Nm |

Tow bar Maintenance and Care.

Trailboss recommends that bolt torque's, as listed below, are routinely and regularly inspected and checked for correct tension. Replace any worn or defective parts.

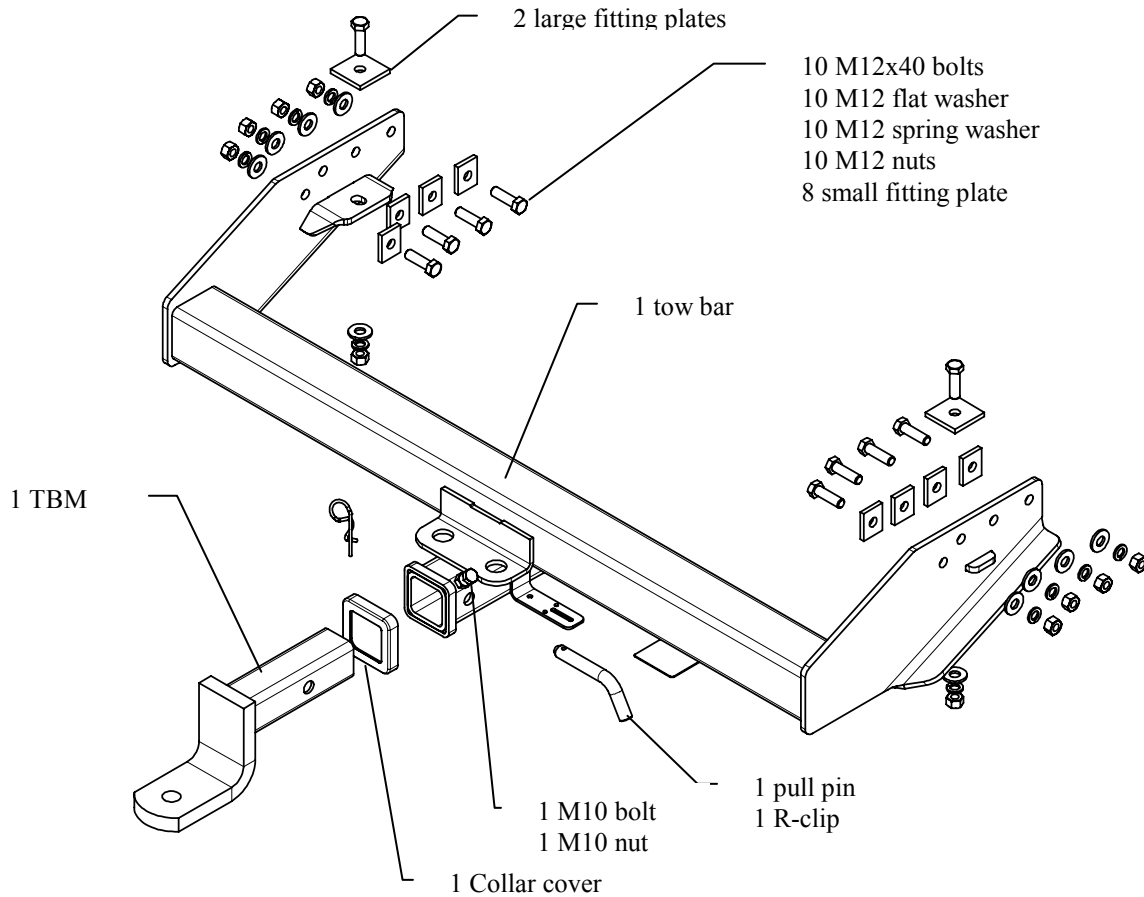
We recommended to remove Tow Ball Mounts (TBM's, tongues or lugs) when not being used for any considerable length of time.

So as to avoid injury, when not towing it is suggested that the tongue, Pull Pin and R-clip are removed then stored in a safe, clean and dry place, away from excessive moisture.

Hitch Pull Pins and spring "R" clips are regularly checked for proper installation. Replace any worn or defective parts.

TRAILBOSS

Towbar Fitting Instructions To Suit Mitsubishi Triton dual cab non step 10/09-on Part Number QTCL643L Rating 3000 - 300 kg



1. Align Towbar to chassis rail, place 4 M12x40 bolts with small fitting plates from inside chassis rail outward on both sides.
2. Secure Towbar vertical mounts with M12x40 bolts and large fitting plates from inside chassis rails outward
3. Secure Towbar to chassis rails using M12 washers, springs washers and nuts.
4. Torque all fasteners to specification.



Wiring Loom Fitting Instructions
To Suit Mitsubishi Triton
Part Number 100006-WL

Wiring Loom Installation Instructions

Mitsubishi Triton
Part No: 100006-WL

Tail Harness Length Require: 1200mm

Wiring Loom Installation Time: Approx 30 Mins



Wiring Loom Fitting Instructions
To Suit Mitsubishi Triton
Part Number 100006-WL

1. Underneath the rear LHS quarter of the vehicle, disconnect the LHS tail light connector.
2. Connect the Trailer Patch Harness connectors (P/No: 100006-WL) in between the tail light connectors.
3. Connect the relays to the Trailer Patch Harness and mount onto the chassis rail. Secure the relays onto the chassis rail using M6 nuts and bolts.
4. Add green secondary lock so that the connectors cannot come out.
5. On the Tail Harness (tail length 1200mm) and mating connector, apply electrical grease or silicon on to the back of the connectors to make them water proof.
6. Connect the Tail Harness to the Trailer Patch Harness.
7. Drill a Ø6mm hole into the chassis rail at a location where the Trailer Patch ground ring terminal can reach and secure the Trailer Patch ground ring terminal with a nut and bolt ensuring the ring terminal is grounded properly.
8. Route the Trailer Patch Harness battery ring terminal wire along the LHS chassis rail following the vehicle body harness, all the way to the engine bay.
9. Secure with cable ties at every 200mm intervals.
10. In the engine bay, retrieve the Trailer Harness battery ring terminal wire.
11. Secure the Trailer Harness battery ring terminal onto the positive battery terminal.
12. Secure the Tail Harness socket onto the trailer socket mounting place using M4 fasteners.
13. Test the Trailer socket using a light board or multimeter.
14. Secure the all harnesses using cables ties.
15. Refit all removed parts and secure all fasteners.
16. Place instructions in glove box after fitment.



FITTING INSTRUCTIONS

Silent Anti-Rattle Hitch Pin (PR0001)

• These fitting instructions are supplied to ensure understanding of how the HITCH PIN should be fitted and used correctly.

• Once installed, we recommend **ALL** instructions are kept and placed in the vehicle glove box.

NOTE: Routine maintenance and inspection of the towbar & HITCH PIN is required. Regularly inspect for wear and check the tightness of the Hitch Pin. Follow instructions below to retighten the nut when necessary.

***Do not tow with your vehicle if the R CLIP or the HITCH PIN is loose or missing. Replacement parts are available from your Pro Series Distributor.**

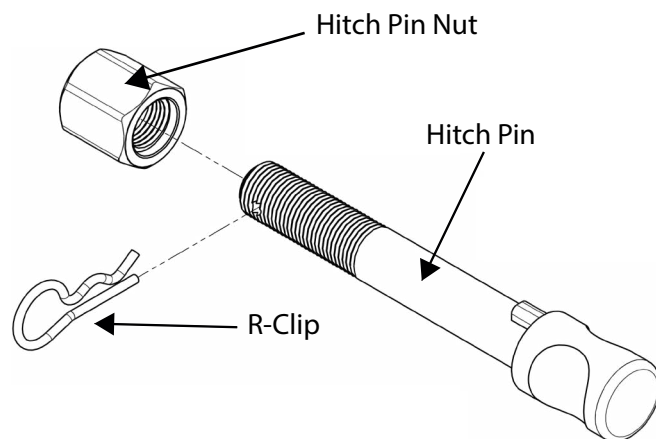


Fig 1. Silent Anti-Rattle Hitch Pin assembly

STEP 1

Insert Trailer Ball Mount (TBM) into towbar HITCHBOX, aligning hole in TBM SHANK with hole in HITCHBOX (Fig 2).

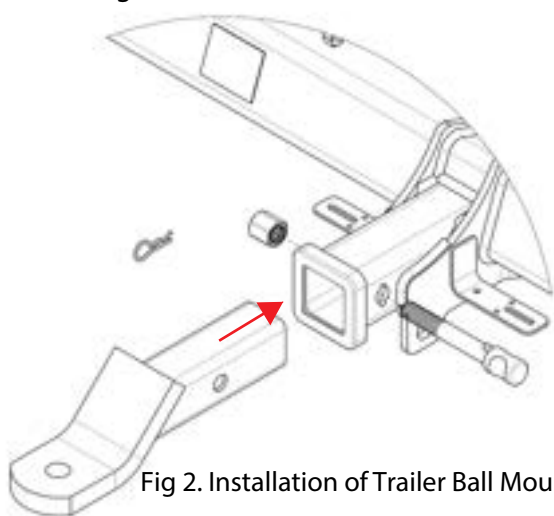


Fig 2. Installation of Trailer Ball Mount

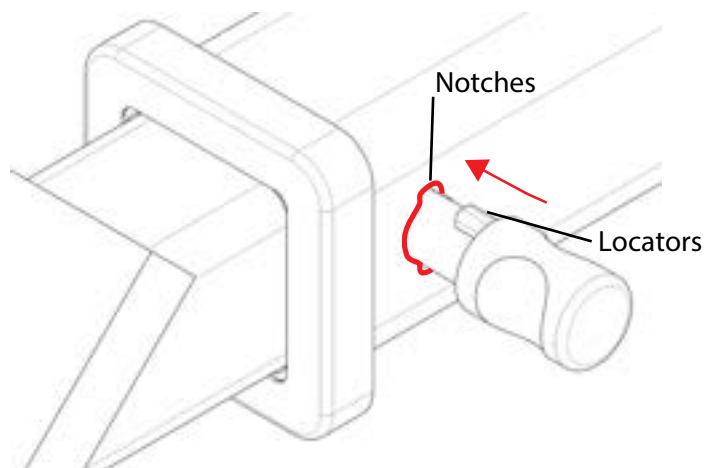


Fig 3. Silent Anti-Rattle Hitch Pin orientation

STEP 2

Insert HITCH PIN through hole in HITCHBOX and hole in TBM SHANK; ensure the LOCATORS are inserted into the NOTCHES in the HITCHBOX (Fig. 3).

STEP 3

Screw HITCH PIN NUT onto HITCH PIN; tighten HITCH PIN NUT until finger tight, ensuring TBM is restrained from movement.

STEP 4

Tighten HITCH PIN NUT by turning nut a further 1/8th of a turn in the clockwise direction using a 24mm spanner (Fig. 4).

STEP 5

Install HITCH PIN R CLIP through the hole on the HITCH PIN (Fig. 1).

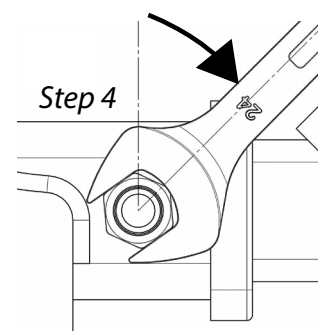


Fig 4. Tightening of Silent Anti-Rattle Hitch Pin Nut