

TRAILBOSS

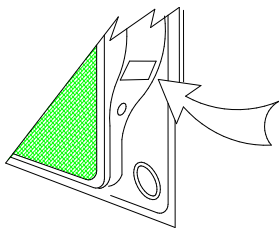
Towbar Fitting Instructions To Suit Mitsubishi Outlander 11/06-on Part Number QTCL648L Rating 1600-160 kg

WARNING:

1. Do not, drill, cut, weld or otherwise modify the tow bar.
2. If you are using electric welding on a motor vehicle, **always** check that the vehicle is not equipped with electronic engine or instrument management equipment. Failure to do so could **destroy** any onboard computers. If in doubt, check with the vehicle's manufacturer.
3. The high tensile fasteners supplied with this product were used to achieve the specified rating. If replacement is required ensure that fasteners of the same rating & quality are used. Contact an authorised **Trailboss** dealer if further information is required.

General:

1. Ensure all hardware items have been included refer to assembly diagram.
2. It is recommended that the instructions are read through and completely understood before making any attempt to fit this product.
3. Be wary of any changes to vehicle designs or other accessories that may conflict with the installation of this product.
4. Before drilling ensure that the area is clear of fuel, electrical & other components.
5. All holes drilled into the body panels shall have all burrs & swarf removed then coated with a suitable rust preventative paint.
6. For vehicles that require the bumper to be cut. Ensure cut out area is in correct position on the vehicle prior to cutting the bumper.
7. The high tensile fasteners supplied with this product were used to achieve the specified rating. If replacement is required ensure that fasteners of the same rating & quality are used. Contact an authorized **Trailboss** dealer if further information is required.
8. Ensure that all hardware is fastened to torque list below check fasteners on regular basis.
9. Tow bar load rating sticker provided with this product shall be conspicuously located on inside rear end of the driver's door. **(See diagram below).**
10. Trailboss recommends that you check your tow ball to ensure that it complies with the Australian standards **AS 4177.2.**
11. **PLEASE NOTE:** It is advised to remove your lug or tbn when not actually towing so as to produce a clear view of the vehicles registration plate if obscured, and to also provide maximum available departure angle
12. Pull Pin must be fit in down position.



Place load rating sticker
inside driver's door here

FOR TRAILER TOWING PURPOSES ONLY
For towing capacity details please refer to vehicle owner's manual or to the manufacturer. Overloading can void your warranties.

RECOMMENDED ASSEMBLY TORQUE LISTING

<u>Diameter</u>	<u>Grade 8.8 Bolt</u>
M6	9.5 Nm
M8	21.7 Nm
M10	43.4 Nm
M12	77.3Nm
M14	146 Nm
M16	189.8 Nm

Tow bar Maintenance and Care.

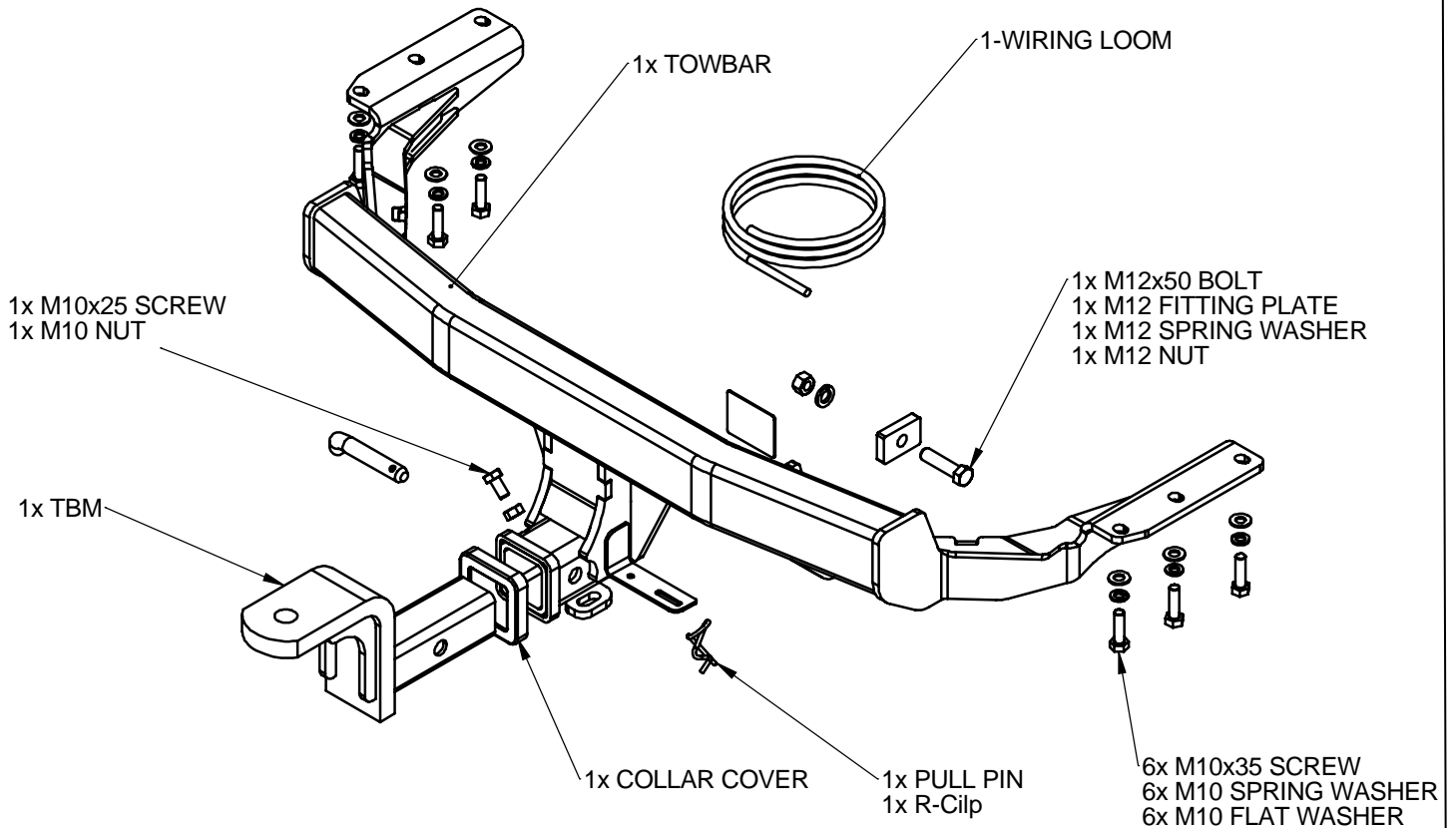
Trailboss recommends that bolt torque's, as listed below, are routinely and regularly inspected and checked for correct tension. Replace any worn or defective parts.

We recommended to remove Tow Ball Mounts (TBM's, tongues or lugs) when not being used for any considerable length of time.

So as to avoid injury, when not towing it is suggested that the tongue, Pull Pin and R-clip are removed then stored in a safe, clean and dry place, away from excessive moisture.

Hitch Pull Pins and spring "R" clips are regularly checked for proper installation. Replace any worn or defective parts.

Towbar Fitting Instructions
 To Suit Mitsubishi Outlander 11/06-on
 Part Number QTCL648L
 Rating 1600-160 kg



13. **Remove rear bumper bar via (CAUTION TWO PERSON LIFT REQUIRED).**
 - a. 2 x M 6 self tapping screws in side the inner wheel arch 2 each side.
 - b. 2 x plastic trim buttons 1 each side of vehicle at the top inside wheel arch.
 - c. 2 x plastic trim buttons from each side towards the top of each wheel arch.
 - d. From underside of bumper bar skin 2 x M6 bolts & 5 plastic trim buttons.
14. **Remove tail gate cavity via**
 - a. Remove 4 plastic trim plugs then remove plastic trim passenger side shown, repeat for driver's side see fig 4.
 - b. Remove 2 x M 6 bolts one each side.
 - c. Remove 4 x plastic trim plugs from trim in rear tailgate cavity.
15. **Remove rear tail lights assemblies via**
 - a. 2 x Phillips head screws 2 each side pull rear ward then unplug lights.
 - b. Pull light assembly rearward then disconnect the globes.
 - c. Remove 2 x plastic trim buttons at top face of bumper bar skin.
 - d. Carefully remove bumper bar skin in one piece rear tail gate may need to be opened to allow Bumper bar skin to drop down
16. **Trim rear panel each side**
 - a. Mark out 15x15mm section on rear panel.
 - b. Then cut out with tin snips to allow for towbar fitment.
 - c. Remove sharp edges & burrs.
17. **Remove spare wheel via**
 - a. Lower the spare wheel from the access bolt inside the rear luggage compartment.
 - b. Then remove the wheel from the vehicle to aid fitment of the towbar.



Towbar Fitting Instructions
To Suit **Mitsubishi Outlander 11/06-on**
Part Number **QTCL648L**
Rating **1600-160 kg**

18. Lower the rear most muffler via

- a. Sliding the 3 rear most rubber hangers off the muffler hangers so that the muffler can hang down to gain better access to fit the towbar up to the chassis rails.

19. Fitment of towbar via

- a. Offer towbar to chassis rails so to align holes in side plates with captive nuts on the underside of chassis rails.
- b. Fit bolts flat & spring washers supplied loosely.
- c. Once all six bolts have been fitted tighten to torque listing.

20. Removal of section of rear bumper bar skin

- a. Place masking tape over section of bumper to be cut so not to scratch the bumper.
- b. Establish the centre line of bumper bar then mark.
- c. Cut 95mm wide by 25mm tall section from bottom centre of the bumper bar.
- d. Remove any swarf or sharp edges if required with small file.

21. Refit the bumper bar skin via (CAUTION TWO PERSON LIFT REQUIRED).

- a. Carefully place the bumper to the rear of the vehicle the rear tailgate may have to be lowered to fit the bumper underneath the tailgate cavity.
- b. Refit the bumper in the reverse order.
- c. Refit the spare wheel & rear muffler.



Wiring Loom Fitting Instructions
To Suit Mitsubishi ZG/ZH Outlander
(Nov '06 Onwards)
Part Number 100226-WL

Wiring Loom Installation Instructions

Mitsubishi ZG/ZH Outlander
(Nov '06 Onwards)
Part No: 100226-WL

ECU Required: 04826
Tail Harness Length Required: 1200mm
RPA Override Switch Part No: 04848 (If Fitted)

Wiring Loom Installation Time: Approx 45 Mins

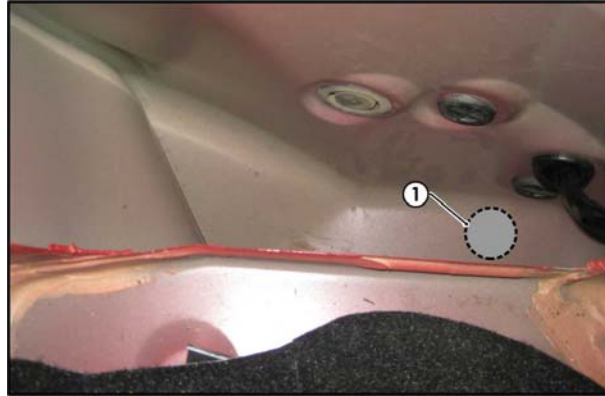


Wiring Loom Fitting Instructions
To Suit Mitsubishi ZG/ZH Outlander
(Nov '06 Onwards)
Part Number 100226-WL

1. In the front LHS corner of the engine bay, locate the 4-way connector, which is located underneath the front LHS headlight assembly.
2. Remove the blanking cap from the connector.
3. Connect the vehicle 4-way connector to the power harness 4-way mating connector.
4. Connect the power harness ring terminal to the positive terminal on the vehicle battery.
5. In the luggage compartment, remove the floor cover.
6. Remove the RHS access panel cover and the vehicle jack.
7. Lift the front half of the tailgate trim.
8. Remove the tail gate trim by first removing the three fasteners.
9. Fold the RHS rear seat forward.
10. Remove the RHS rear scuff plate by first removing the two clips.
11. Dislodge the RHS side trim and disconnect the two connectors.
12. Remove the RHS side trim.
13. Locate the vehicle breakout connector.
14. Connect the breakout connector to the trailer harness (P/No:100226-WL) mating connector .
15. Route the trailer harness above the jack tool cavity.
16. Clean the area where the ECU (04826) will be mounted in the jack tool cavity.
17. Connect the trailer harness 12-way connector to the ECU.
18. In the bottom of the jack tool cavity, drill a Ø31mm hole (1) in the vehicle sheet metal.

TRAILBOSS

Wiring Loom Fitting Instructions
To Suit Mitsubishi ZG/ZH Outlander
(Nov '06 Onwards)
Part Number 100226-WL



19. File any rough or sharp edges and spray on rust inhibitor.
20. From the outside of the vehicle, mount the trailer socket to the towbar mounting bracket using M4 fasteners (not supplied).
21. Route the Tail Harness across the towbar towards the RHS of the vehicle and up through the previously drilled out hole.
22. Ensure the Tail Harness grommet is seated correctly and secure in place using a cable tie (not supplied).
23. Connect the Tail Harness 8-way connector to the Trailer Harness mating 8-way connector.
24. Test the Trailer Harness function using a light board or multi-meter.
25. Secure all Harnesses using cables ties (not supplied).
26. Re-fit all removed parts and secure all fasteners, ensuring there are no squeaks or rattles.
27. Place the instructions in the glove box after fitment.