



Towbar Fitting Instructions
To Suit NISSAN X-TRAIL 10/01-on
Part Number QTDS790
Rating 2000Kg

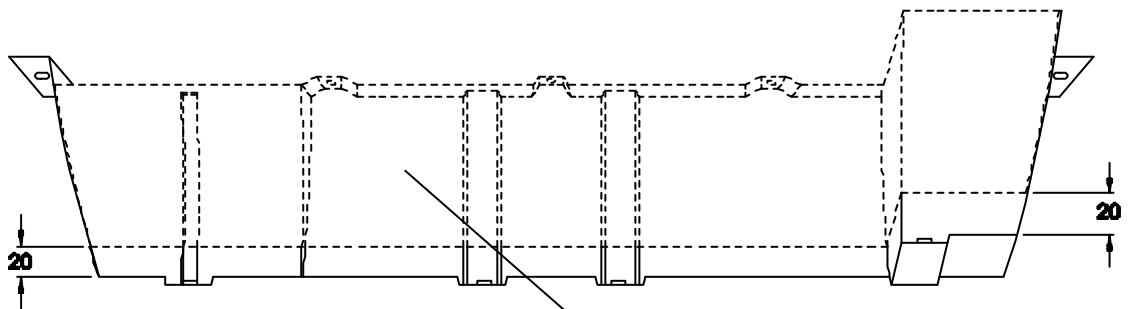
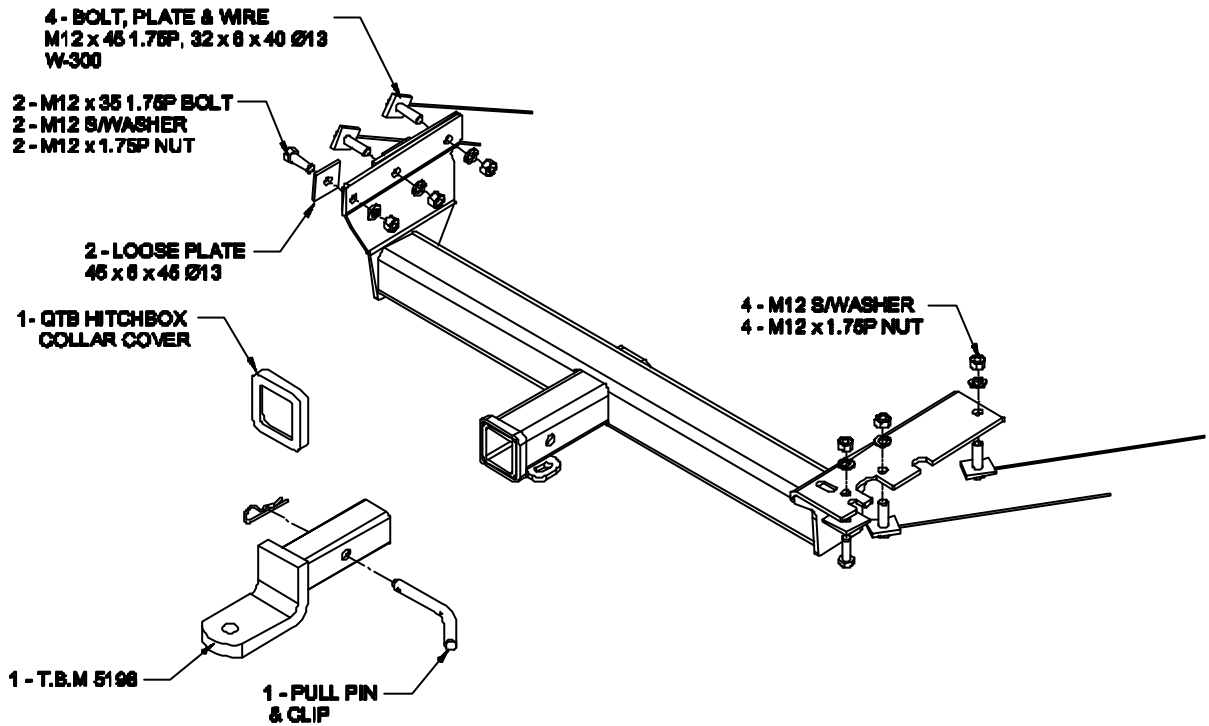
1. Ensure all hardware items have been included.
2. Remove plastic under tray.
3. To remove bumper bar.
 - A. Remove 6 screws, 1 behind plastic wheel arch cover, 1 in bottom of bumper and 1 in wheel arch (3 per side).
 - B. Remove 3 plastic button's under bumper.
 - C. Remove 2 x M10 bolts behind tailgate.
 - D. Remove bumper bar.
4. Remove impact cone.
5. Drop exhaust from top hanger.
6. Slide charcoal canister out of holder.
7. Fit towbar up to vehicle aligning holes in side plates with holes in chassis using M12 bolts, plate & wire up chassis as per diagram.
8. Fit M12 bolt, loose plate, spring washer and nut as per diagram.
9. Tighten all bolts to torque listing.
10. Refit charcoal canister and exhaust to hanger.
11. Cut plastic under tray as per diagram.
12. Refit bumper bar.
13. Refit plastic under tray.

RECOMMENDED ASSEMBLY TORQUE LISTING

<u>Diameter</u>	<u>Grade 8.8 Bolt</u>
	Nm
M6	9.5
M8	21.7
M10	43.4
M12	77.3
M14	121.0
M16	189.8

TRAILBOSS

Towbar Fitting Instructions
 To Suit NISSAN X-TRAIL 10/01-on
 Part Number QTDS790
 Rating 2000Kg



Area to be removed from front
 face of plastic under tray

Area to be removed from rear
 face of plastic under tray

