

TRAILBOSS

Towbar Fitting Instructions
To Suit **NISSAN QASHQAI 2014 -ON**
Part Number **QTDS854L**
Rating **1400/120 kg**

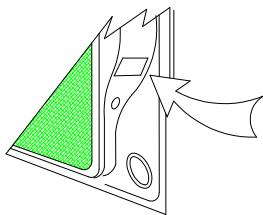
PLACE THESE INSTRUCTIONS IN THE VEHICLE'S GLOVEBOX AFTER INSTALLATION IS COMPLETED

WARNING:

1. Do not, drill, cut, weld or otherwise modify the tow bar.
2. If you are using electric welding on a motor vehicle, **always** check that the vehicle is not equipped with electronic engine or instrument management equipment. Failure to do so could **destroy** any onboard computers. If in doubt, check with the vehicle's manufacturer.
3. The high tensile fasteners supplied with this product were used to achieve the specified rating. If replacement is required ensure that fasteners of the same rating & quality are used. Contact an authorised **Trailboss** dealer if further information is required.
4. If TBM is used in inverted position tow ball may make contact with rear tailgate when lowered, which could cause damage.

General:

1. Ensure all hardware items have been included refer to assembly diagram.
2. It is recommended that the instructions are read through and completely understood before making any attempt to fit this product.
3. Be wary of any changes to vehicle designs or other accessories that may conflict with the installation of this product.
4. Before drilling ensure that the area is clear of fuel, electrical & other components.
5. All holes drilled into the body panels shall have all burrs & swarf removed then coated with a suitable rust preventative paint.
6. For vehicles that require the bumper to be cut. Ensure cut out area is in correct position on the vehicle prior to cutting the bumper.
7. The high tensile fasteners supplied with this product were used to achieve the specified rating. If replacement is required ensure that fasteners of the same rating & quality are used. Contact an authorized **Trailboss** dealer if further information is required.
8. Ensure that all hardware is fastened to torque list below check fasteners on regular basis.
9. Tow bar load rating sticker provided with this product shall be conspicuously located on inside rear end of the driver's door. **(See diagram below).**
10. Trailboss recommends that you check your tow ball to ensure that it complies with the Australian standards **AS 4177.2**.
11. **PLEASE NOTE:** It is advised to remove your lug or tbm when not actually towing so as to produce a clear view of the vehicles registration plate if obscured, and to also provide maximum available departure angle
12. Pull Pin must be fit in down position.



Place load rating sticker
inside driver's door here

FOR TRAILER TOWING PURPOSES ONLY
For towing capacity details please refer to vehicle owner's manual or to the manufacturer. Overloading can void your warranties.

RECOMMENDED ASSEMBLY TORQUE LISTING

Diameter	Grade 8.8 Bolt
M6	9.5 Nm
M8	21.7 Nm
M10	43.4 Nm
M12	77.3Nm
M14	146 Nm
M16	189.8 Nm

Tow bar Maintenance and Care.

Trailboss recommends that bolt torque's, as listed below, are routinely and regularly inspected and checked for correct tension. Replace any worn or defective parts.

We recommended to remove Tow Ball Mounts (TBM's, tongues or lugs) when not being used for any considerable length of time.

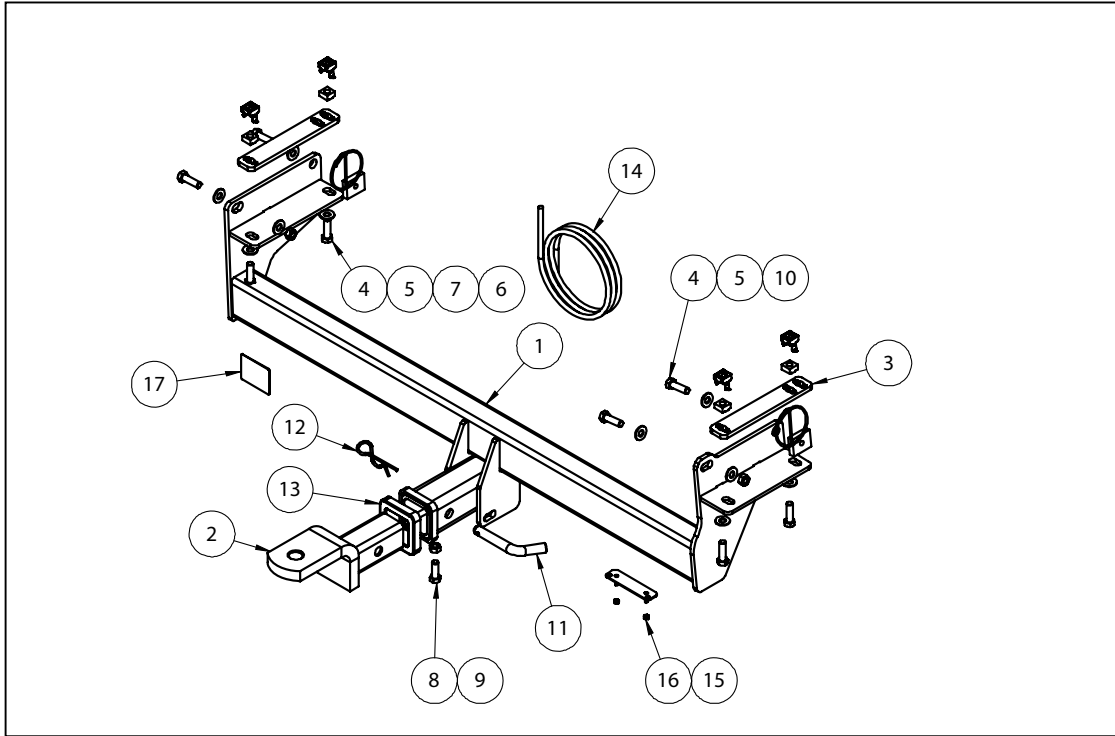
So as to avoid injury, when not towing it is suggested that the tongue, Pull Pin and R-clip are removed then stored in a safe, clean and dry place, away from excessive moisture.

Hitch Pull Pins and spring "R" clips are regularly checked for proper installation. Replace any worn or defective parts.

TRAILBOSS

Towbar Fitting Instructions
 To Suit **NISSAN QASHQAI 2014 -ON**
 Part Number **QTDS854L**
 Rating **1400/120 kg**

PLACE THESE INSTRUCTIONS IN THE VEHICLE'S GLOVEBOX AFTER INSTALLATION IS COMPLETED



QTY	DESCRIPTION	ITEM NO
1	WELDED ASSEMBLY	1
1	TBM ASSEMBLY	2
2	CHASSIS INSERT PLATE	3
8	SET SCREW M10-1.5X35mm	4
10	WASHER FLAT M10x23x2 Z/P	5
4	CAGE NUT RETAINER	6
4	CAGE NUT M10x1.5	7
1	SET SCREW HEX HD M10x30x1.5P	8
3	HEX NUT M10x1.5	9
2	TAPPED PLATE AND WIRE	10
1	PULL PIN	11
1	RCLIP	12
1	HITCH BOX COLLAR COVER	13
1	WIRING LOOM	14
1	PLUG BRACKET	15
2	NUT NYLOC	16
1	ACRYLIC COMPLIANCE PLATE	17



Towbar Fitting Instructions
To Suit **NISSAN QASHQAI 2014 -ON**
Part Number **QTDS854L**
Rating **1400/120 kg**

PLACE THESE INSTRUCTIONS IN THE VEHICLE'S GLOVEBOX AFTER INSTALLATION IS COMPLETED

INSTRUCTION:

1. Remove 2x torx Head Screws securing plastic mud guard to wheel well, and remove 1x Scrivet. Remove mud guard.
2. Remove newly exposed Screw from lower end of Bumper trim.
3. Peel Bumper trim up to edge of rear bumper facia.
Use a tool to ensure tabs disconnect from vehicle assembly as tabs are fragile and prone to breaking.
4. Remove Screw located underneath Bumper trim inside wheel arch. Screw secures bumper facia to chassis assembly.
5. Repeat steps 1 to 4 on opposite side of vehicle.
6. Remove 2x Scrivets securing centre of rear bumper facia to vehicle assy.
7. Remove 4x Screws securing rear bumper facia to vehicle assembly located below tail lights.
8. Remove bumper facia from vehicle assembly and place to side in safe area, disconnect sensor cable if attached.
9. Remove foam body [1] and disconnect impact beam [2] from impact beam arms by removing 8x nuts securing beam to arm mounts [3].
10. Remove Impact beam arms from vehicle by removing nuts securing arms to chassis.
11. Use an air saw or similar tool to cut out a section of the centre rear panel. Using the indentation as a guide, remove a section that is 30mm high and the same width as the indentation.
12. Insert Cage Nuts into loose plates (all supplied) and insert into vehicle chassis rails.
Align Cage Nuts with those of chassis rail mount holes.
13. Mount Towbar to vehicle, securing vertical mount points with inserted cage nuts.
Secure horizontal points using bolts and nuts provided, secure innermost horizontal point using tapped plate on wire provided. Torque all bolts to recommended torques on page 1.
14. Perform a cut on the bumper trim to allow for tongue to sit external to vehicle. Basing about the facia centre line, perform a cut that is 90mm wide and 110 mm long.
15. Reassemble bumper following steps 1 to 10 in reverse.



Wiring Loom Fitting Instructions
To Suit Nissan Qashqai

Part Number 101225-WL

Wiring Loom Installation Instructions

Nissan Qashqai
Part No: 101225-WL
ECU Required: 04826

Tail Harness Length Required: 1200mm

Wiring Loom Installation Time: Approx 20 Mins



Wiring Loom Fitting Instructions To Suit Nissan Qashqai

Part Number 101225-WL

1. In the luggage compartment, remove the floor carpet cover.
2. Remove the rear compartment trim by removing its two fasteners.
3. Remove the luggage compartment LHS and RHS tool tray trims.
4. On the LHS of the luggage compartment trim, remove the two fasteners to gain access to the rear quarter area.
5. Disconnect the LHS light assembly and then dislodge the LHS luggage compartment trim.
6. At the LHS tail gate, locate the vehicle grommet. At a suitable location nearby, drill out a Ø30mm hole. Apply rust inhibitor after drilling.
7. At the luggage compartment LHS rear quarter wheel arch area, locate the vehicle 6-way break-out connector. Patch (P/No: 101225-WL) mating connector to the 6-way break-out connector.
8. Find an appropriate location to secure the trailer patch ground ring terminal above the wheel arch area.
9. Secure the trailer patch ground ring terminal to the vehicle sheet metal using a tek screw (not supplied).
10. Connect the trailer patch ECU connector to the ECU (P/No: 04826). Remove the adhesive backing from the ECU and secure the ECU onto the vehicle sheet metal at a suitable location. Ensure the ECU is secured with the connector pointing downwards.
11. At the rear of the vehicle, secure the tail harness (tail length 1200mm) trailer socket using the supplied M4 fasteners (not supplied).
12. Route the tail harness into the vehicle through the LHS previously revealed grommet hole. Adjust the grommet into position ensuring it is seated correctly and secure the grommet with a cable tie (not supplied).
13. Inside the vehicle, connect the tail harness (tail length 1200mm) 8-way connector to the trailer harness mating 8-way connector.
14. Test the trailer harness function using a Light Board or multi-meter.
15. Secure all Harnesses using cables ties (not supplied).
16. Re-fit all removed parts and secure all fasteners, ensuring there are no squeaks or rattles.
17. Place the instructions in the glove box after fitment.