

TRAILBOSS

Towbar Fitting Instructions
To Suit **JEEP CHEROKEE KL 06/14 ON**
NOT FOR TRAILHAWK VARIANTS
Part Number **QTJP13L**
Rating **2495/249** kg

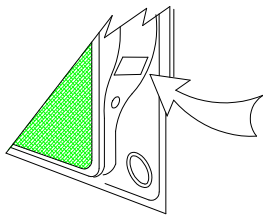
PLACE THESE INSTRUCTIONS IN THE VEHICLE'S GLOVEBOX AFTER INSTALLATION IS COMPLETED

WARNING:

1. Do not, drill, cut, weld or otherwise modify the tow bar.
2. If you are using electric welding on a motor vehicle, **always** check that the vehicle is not equipped with electronic engine or instrument management equipment. Failure to do so could **destroy** any onboard computers. If in doubt, check with the vehicle's manufacturer.
3. The high tensile fasteners supplied with this product were used to achieve the specified rating. If replacement is required ensure that fasteners of the same rating & quality are used. Contact an authorised **Trailboss** dealer if further information is required.
4. If TBM is used in inverted position tow ball may make contact with rear tailgate when lowered, which could cause damage.

General:

1. Ensure all hardware items have been included refer to assembly diagram.
2. It is recommended that the instructions are read through and completely understood before making any attempt to fit this product.
3. Be wary of any changes to vehicle designs or other accessories that may conflict with the installation of this product.
4. Before drilling ensure that the area is clear of fuel, electrical & other components.
5. All holes drilled into the body panels shall have all burrs & swarf removed then coated with a suitable rust preventative paint.
6. For vehicles that require the bumper to be cut. Ensure cut out area is in correct position on the vehicle prior to cutting the bumper.
7. The high tensile fasteners supplied with this product were used to achieve the specified rating. If replacement is required ensure that fasteners of the same rating & quality are used. Contact an authorized **Trailboss** dealer if further information is required.
8. Ensure that all hardware is fastened to torque list below check fasteners on regular basis.
9. Tow bar load rating sticker provided with this product shall be conspicuously located on inside rear end of the driver's door. **(See diagram below).**
10. Trailboss recommends that you check your tow ball to ensure that it complies with the Australian standards **AS 4177.2**.
11. **PLEASE NOTE:** It is advised to remove your lug or tbn when not actually towing so as to produce a clear view of the vehicles registration plate if obscured, and to also provide maximum available departure angle
12. Pull Pin must be fit in down position.



Place load rating sticker
inside driver's door here

FOR TRAILER TOWING PURPOSES ONLY
For towing capacity details please refer to vehicle owner's manual or to the manufacturer. Overloading can void your warranties.

RECOMMENDED ASSEMBLY TORQUE LISTING

Diameter	Grade 8.8 Bolt
M6	9.5 Nm
M8	21.7 Nm
M10	43.4 Nm
M12	77.3Nm
M14	146 Nm
M16	189.8 Nm

Tow bar Maintenance and Care.

Trailboss recommends that bolt torque's, as listed below, are routinely and regularly inspected and checked for correct tension. Replace any worn or defective parts.

We recommended to remove Tow Ball Mounts (TBM's, tongues or lugs) when not being used for any considerable length of time.

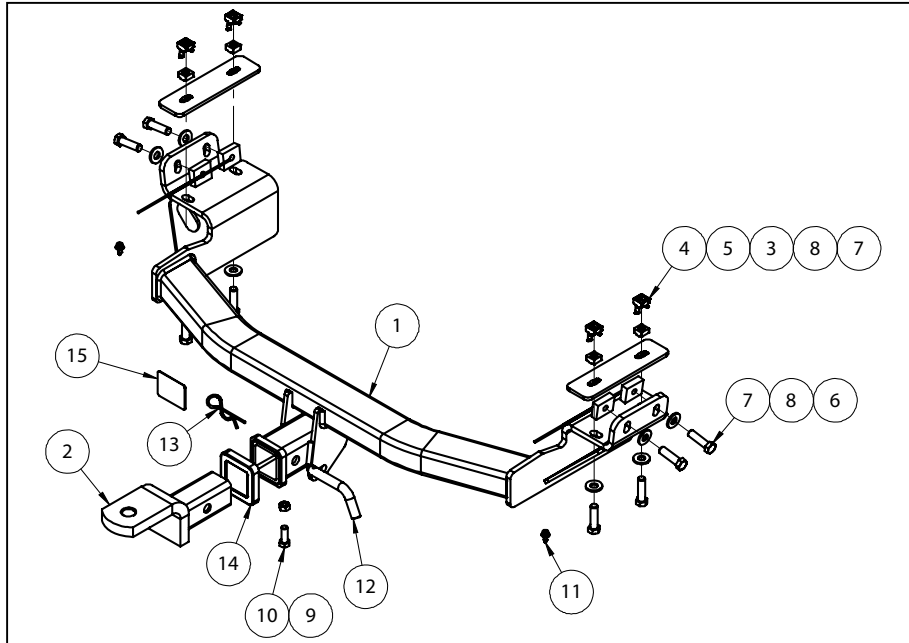
So as to avoid injury, when not towing it is suggested that the tongue, Pull Pin and R-clip are removed then stored in a safe, clean and dry place, away from excessive moisture.

Hitch Pull Pins and spring "R" clips are regularly checked for proper installation. Replace any worn or defective parts.

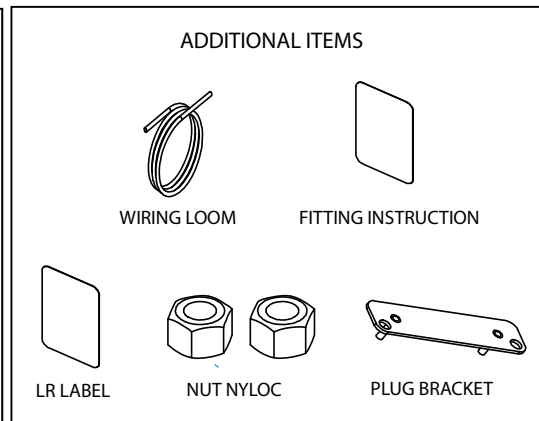
TRAILBOSS

Towbar Fitting Instructions
 To Suit **JEEP CHEROKEE KL 06/14 ON**
NOT FOR TRAILHAWK VARIANTS
 Part Number **QTJP13L**
 Rating **2495/249 kg**

PLACE THESE INSTRUCTIONS IN THE VEHICLE'S GLOVEBOX AFTER INSTALLATION IS COMPLETED



QTY	DESCRIPTION	ITEM NO
1	WELDED ASSY	1
1	TBM ASSY	2
2	PANEL PLATE	3
4	CAGE NUT RETAINER	4
4	CAGE NUT M12x1.75P	5
4	TAPPED PLATE & WIRE	6
8	BOLT M12x45 1.75P	7
8	WASHER FLAT M12	8
1	HEX NUT M10x1.5	9
1	SET SCREW HEX HD M10x30x1.5P	10
2	SCRIVET CFZ-020-0034	11
1	PULL PIN	12
1	R CLIP	13
1	HITCH BOX COLLAR COVER	14
1	ACRYLIC COMPLIANCE PLATE	15





Towbar Fitting Instructions
To Suit **JEEP CHEROKEE KL 06/14 ON**
NOT FOR TRAILHAWK VARIANTS
Part Number **QTJP13L**
Rating **2495/249** kg

PLACE THESE INSTRUCTIONS IN THE VEHICLE'S GLOVEBOX AFTER INSTALLATION IS COMPLETED

INSTRUCTION:

1. Open boot lid and remove 2x torx Screws securing Left Hand side tail light to vehicle. Remove tail light by carefully pulling rearwards. Disconnect wiring plug from light.

Repeat for opposite side of vehicle
2. Remove torx Screw located in lower corner of rear hatch cavity.

Repeat for opposite side of vehicle.
3. From underneath rear Bumper, remove pop rivet located behind rear LH wheel.

Remove by drilling out rivets, repeat for opposite side of vehicle.
4. Remove 1x Hex Head Screw from the wheel well cavity, on the rearwards end.

Repeat for opposite side of vehicle.
5. From below centre of chassis, remove 4x head Screws securing trim to underside of chassis.
6. Using nose pliers or similar tool, remove wheel well outer trim, located above the well, from vehicle chassis.

Use pliers to clamp on small plastic plugs from the inside to loosen them from main vehicle body.
7. In newly exposed section, remove torx Screw securing rear vehicle bumper to vehicle body.

Repeat steps 6 and 7 for opposite side of vehicle.
8. Carefully remove Bumper trim from vehicle, disconnecting any sensors mounted to Bumper trim.

Unmount rear impact beam from vehicle chassis and store to side.
9. Remove rubber plug from vehicle chassis rails and disconnect any brush plugs securing wiring harness to chassis rail.
10. Lower exhaust by removing 2x Bolts per side which secure hanger to chassis rails.
11. Insert cage Nuts into lose plates. Ensure tabs on nut align with slots in plate.
12. Insert plates with cage Nuts mounted into chassis rail, aligning with holes in chassis rails.
13. Mount Towbar to vehicle, mounting M12 Bolts vertically through the chassis rail to the inserted plate.

Mount horizontal mount points by inserting tapped plates on wire into vehicle chassis rail.

Remount impact beam to vehicle.

NOTE:

On Trailhawk variants of vehicle, towbar cannot be installed.



Towbar Fitting Instructions
To Suit **JEEP CHEROKEE KL 06/14 ON**
NOT FOR TRAILHAWK VARIANTS
Part Number **QTJP13L**
Rating **2495/249** kg

PLACE THESE INSTRUCTIONS IN THE VEHICLE'S GLOVEBOX AFTER INSTALLATION IS COMPLETED

14. Referring to the template below, make a cut in the bumper fascia to allow for fitment of the Towbar through the rear bumper.

Align upper edge of cut with corner of bumper located above indentation on bumper trim.

15. Remount exhaust hangers to vehicle.

16. Remount bumper assembly to vehicle following steps 1 to 8 in reverse.

Replace removed pop Rivets in step 3 with Scrivets supplied in kit.





Wiring Loom Fitting Instructions
To Suit Jeep Cherokee KL MY14
Part Number 101201-WL

Wiring Loom Installation Instructions

Jeep Cherokee KL MY14
Part No: 101201-WL
ECU Required: 04826

Tail Harness Length Required: 1800mm

Wiring Loom Installation Time: Approx 45 Mins

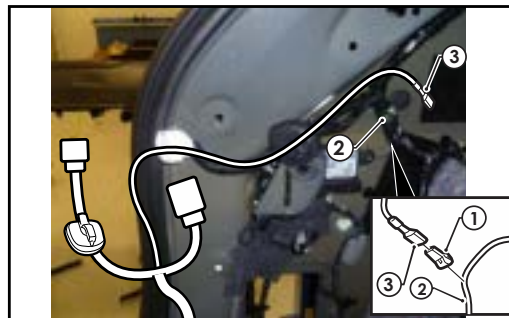
	Important Due to possible vehicle variations, always confirm any noted vehicle colour wires with a multi-meter to ensure the correct function is identified before soldering or scotch locking.
	Important For vehicle wires denoted with two colours (example; RED/GREEN) the first colour will always be the main wire colour while the second colour is the thinner trace colour on the wire.

TRAILBOSS

Wiring Loom Fitting Instructions To Suit Jeep Cherokee KL MY14 Part Number 101201-WL

1. In the luggage compartment area, fold down the rear seats and remove the rear trim, floor carpet and the LHS and RHS rear quarter trims.
2. On the LHS trim, twist the fastener 90 degrees and then remove the holder. On the LHS trim, open the screw latch located at wheel arch area and then remove the screw from underneath. Dislodge the LHS trim. Repeat for the RHS trim (with the exception of the holder).
3. At the rear RHS quarter, remove the smaller grommet and then drill the grommet hole to Ø30mm. If the grommet is occupied, drill a Ø30mm hole into a suitable location nearby. Apply rust inhibitor after drilling.
4. At the rear RHS passenger cabin, completely dislodge the 'B' pillar trim lower section and then remove the rear RHS door sill trim.
5. Remove the front RHS door sill trim/kick trim.
6. In the luggage compartment area, disconnect LHS tail lamp connector and retrieve the connector and grommet into the vehicle.
7. Connect the trailer patch (P/No: 101201-WL) LHS branch male connector to the vehicle female connector. Connect the trailer patch LHS branch female connector to the tail lamp assembly and secure the trailer patch grommet into place.
8. Following the table below, connect the ezy-tap (1) to the corresponding vehicle wire (2), and then connect the trailer patch terminal (3) to the ezy-tap (1).

Function	Trailer Patch	Vehicle Connector
REVERSE	BLACK / WHITE	WHITE/LT GREEN

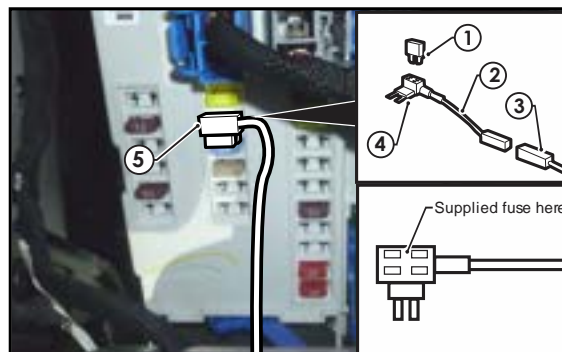


9. Route the trailer patch harness along the rear of the vehicle and towards the RHS tail lamp area.
10. Disconnect the RHS tail lamp connector and retrieve the connector and grommet into the vehicle.
11. Connect the trailer patch RHS branch male connector to the vehicle female connector. Connect the trailer patch RHS branch female connector to the tail lamp assembly and secure the trailer patch grommet into place.



Wiring Loom Fitting Instructions
To Suit Jeep Cherokee KL MY14
Part Number 101201-WL

12. Secure the trailer patch ground ring terminal to the vehicle grounding point.
13. Connect the trailer patch ECU connector to the ECU (P/No: 04826).
14. Remove the adhesive backing from the ECU and secure the ECU onto the vehicle sheet metal area where appropriate. Ensure the ECU is secured with the connector pointing downwards.
15. Route the trailer patch harness 1-way connector along the RHS vehicle harness towards the driver's fuse panel area.
16. At the driver's fuse panel area, insert the supplied fuse (20A) (1) into the add-a-fuse harness (2) upper slot.
17. Connect the add-a-fuse harness 1-way connector (2) to the trailer patch 1-way connector (3).
18. Insert the add-a-fuse (4) into the empty fuse location (5). Ensure the add-a-fuse is mounted in the orientation as shown.



19. At the rear exterior of the vehicle, mount the tail harness socket to the towbar mounting bracket using M4 fasteners (not supplied).
20. Route the tail harness (tail length: 1800mm) across the RHS and up into the drilled out hole. Adjust the trailer patch harness grommet so that it is seated correctly and cable tie (not supplied) in place.
21. Connect the tail harness 8-way connector to the Trailer Patch 8-way mating connector.
22. Test the Trailer Harness function using a light board or multimeter.
23. Secure all harnesses using cable ties (not supplied).
24. Re-fit removed parts and secure all fasteners, ensuring there are no squeaks or rattles.
25. Place the instructions in the glove box after fitment.



FITTING INSTRUCTIONS

Silent Anti-Rattle Hitch Pin (PR0001)

• These fitting instructions are supplied to ensure understanding of how the HITCH PIN should be fitted and used correctly.

• Once installed, we recommend **ALL** instructions are kept and placed in the vehicle glove box.

NOTE: Routine maintenance and inspection of the towbar & HITCH PIN is required. Regularly inspect for wear and check the tightness of the Hitch Pin. Follow instructions below to retighten the nut when necessary.

***Do not tow with your vehicle if the R CLIP or the HITCH PIN is loose or missing. Replacement parts are available from your Pro Series Distributor.**

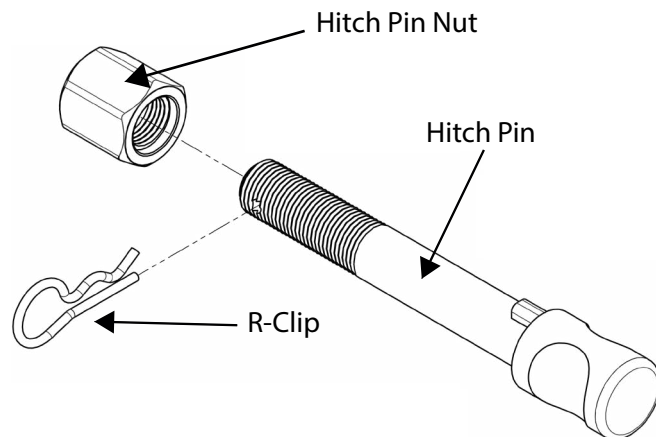


Fig 1. Silent Anti-Rattle Hitch Pin assembly

STEP 1

Insert Trailer Ball Mount (TBM) into towbar HITCHBOX, aligning hole in TBM SHANK with hole in HITCHBOX (Fig 2).

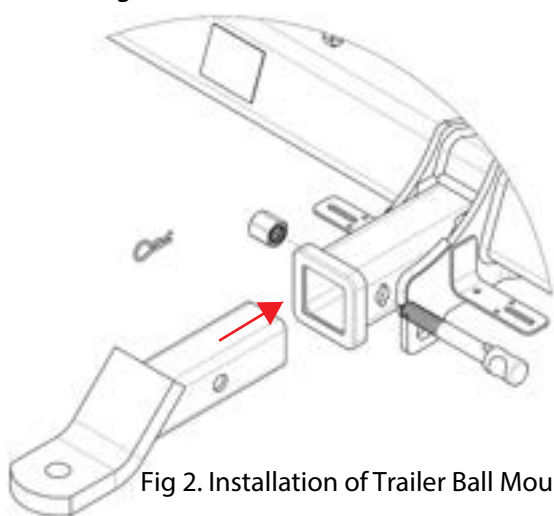


Fig 2. Installation of Trailer Ball Mount

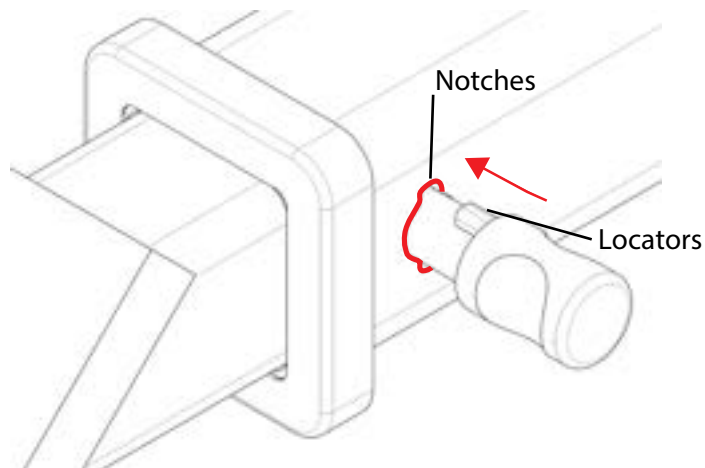


Fig 3. Silent Anti-Rattle Hitch Pin orientation

STEP 2

Insert HITCH PIN through hole in HITCHBOX and hole in TBM SHANK; ensure the LOCATORS are inserted into the NOTCHES in the HITCHBOX (Fig. 3).

STEP 3

Screw HITCH PIN NUT onto HITCH PIN ; tighten HITCH PIN NUT until finger tight, ensuring TBM is restrained from movement.

STEP 4

Tighten HITCH PIN NUT by turning nut a further 1/8th of a turn in the clockwise direction using a 24mm spanner (Fig. 4).

STEP 5

Install HITCH PIN R CLIP through the hole on the HITCH PIN (Fig. 1).

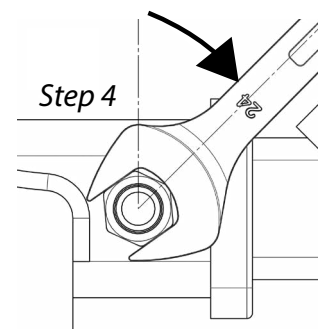


Fig 4. Tightening of Silent Anti-Rattle Hitch Pin Nut