



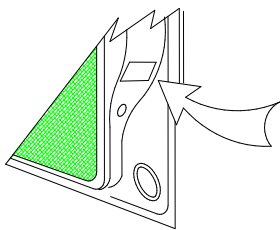
Towbar Fitting Instructions
To Suit **KIA SPORTAGE 2010**-on
Part Number **QTKM9L**
Rating **1500-150 kg**

WARNING:

1. Do not, drill, cut, weld or otherwise modify the tow bar.
2. If you are using electric welding on a motor vehicle, **always** check that the vehicle is not equipped with electronic engine or instrument management equipment. Failure to do so could **destroy** any onboard computers. If in doubt, check with the vehicle's manufacturer.

General:

1. Ensure all hardware items have been included refer to assembly diagram.
2. It is recommended that the instructions are read through and completely understood before making any attempt to fit this product.
3. Be wary of any changes to vehicle designs or other accessories that may conflict with the installation of this product.
4. Before drilling ensure that the area is clear of fuel, electrical & other components.
5. All holes drilled into the body panels shall have all burrs & swarf removed then coated with a suitable rust preventative paint.
6. For vehicles that require the bumper to be cut. Ensure cut out area is in correct position on the vehicle prior to cutting the bumper.
7. The high tensile fasteners supplied with this product were used to achieve the specified rating. If replacement is required ensure that fasteners of the same rating & quality are used. Contact an authorized **Trailboss** dealer if further information is required.
8. Ensure that all hardware is fastened to torque list below check fasteners on regular basis.
9. Tow bar load rating sticker provided with this product shall be conspicuously located on inside rear end of the driver's door. **(See diagram below).**
10. Trailboss recommends that you check your tow ball to ensure that it complies with the Australian standards **AS 4177.2.**
11. **PLEASE NOTE:** It is advised to remove your lug or tbn when not actually towing so as to produce a clear view of the vehicles registration plate if obscured, and to also provide maximum available departure angle



Place load rating sticker
inside driver's door here

FOR TRAILER TOWING PURPOSES ONLY
For towing capacity details please refer to vehicle owner's manual or to the manufacturer. Overloading can void your warranties.

RECOMMENDED ASSEMBLY TORQUE LISTING

Diameter Grade 8.8 Bolt

M6	9.5 Nm
M8	21.7 Nm
M10	43.4 Nm
M12	77.3Nm
M14	146 Nm
M16	189.8 Nm

Tow bar Maintenance and Care.

Trailboss recommends that bolt torque's, as listed below, are routinely and regularly inspected and checked for correct tension. Replace any worn or defective parts.

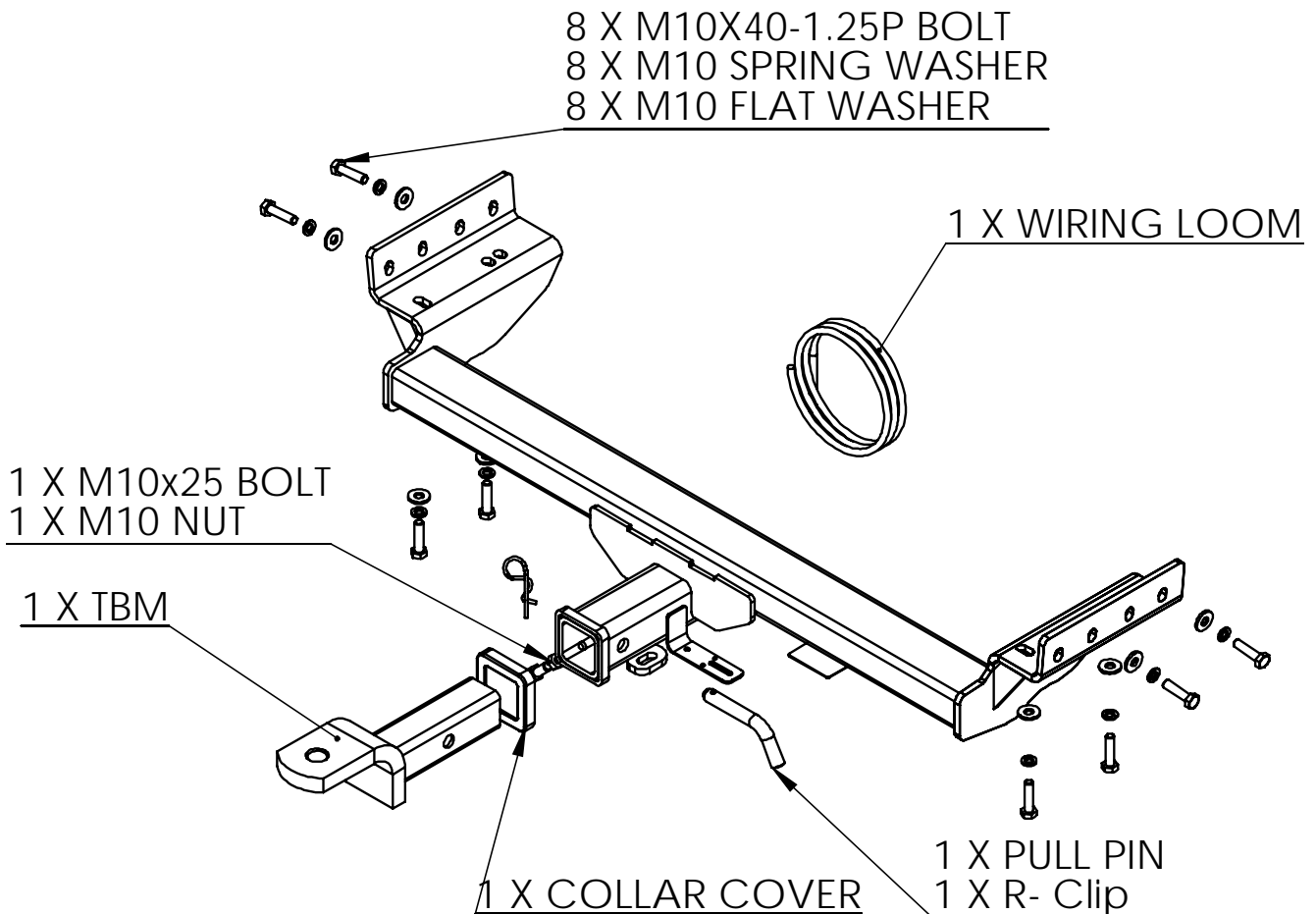
We recommended to remove Tow Ball Mounts (TBM's, tongues or lugs) when not being used for any considerable length of time.

So as to avoid injury, when not towing it is suggested that the tongue, Pull Pin and R-clip are removed then stored in a safe, clean and dry place, away from excessive moisture.

Hitch Pull Pins and spring "R" clips are regularly checked for proper installation. Replace any worn or defective parts.

TRAILBOSS

Towbar Fitting Instructions
To Suit KIA SPORTAGE 2010-on
Part Number QTKM9L
Rating 1500-150 kg



1. Remove bottom centre bracket holding the bumper bar.
2. Cut 90mm wide 55mm height from the bottom center of the bumper bar
3. Lower muffler via rubber mounts for easy access.
4. Fit towbar on to chassis rails using M10x40-1.25 bolts, spring washers and flat washers.
5. Torque all fasteners to specification.



Wiring Loom Fitting Instructions
To Suit Kia Sportage
Part Number 100470-WL

Wiring Loom Installation Instructions

Kia Sportage
Part No: 100470-WL
ECU Required - 04826
Tail Harness Length Required: 1200mm
RPA Override Switch Part No: 04848 (If Fitted)

Wiring Loom Installation Time: Approx 50 Mins



Wiring Loom Fitting Instructions
To Suit Kia Sportage
Part Number 100470-WL

1. In the luggage compartment, fold the rear seats forward.
2. Remove the floor carpet cover.
3. Remove the rear trim by first removing the three plastic scrivenets.
4. On the LHS side trim, remove the two Phillips head screws.
5. Remove the two bolts on the back of the LHS rear seat back rest.
6. Remove the bolt just behind the LHS rear seat.
7. Remove the LHS seat cushion and back rest.
8. From the LHS rear door remove the Phillips head screw from the LHS side trim.
9. Remove the LHS rear door scuff plate.
10. In the luggage compartment remove the LHS rear seat mounting bracket by first removing the two fasteners. **Note: The bracket will have to be rotated to access both fasteners.**
11. Dislodge the LHS side trim.
12. Disconnect the 12 volt auxiliary socket connector.
13. Disconnect the light connector.
14. Remove the LHS tail light assembly by first removing the two Phillips head screws.
15. Repeat the step for the RHS.
16. Disconnect the LHS tail light connector
17. Repeat the step for the RHS.
18. Remove the rear bumper fascia by first removing all the clips and fasteners.
19. Disconnect the RHS & LHS indicator connectors.
20. In the LHS rear quarter corner drill a Ø31mm hole in the area near the vehicle grommet.
21. File any rough or sharp edges and spray on rust inhibitor.
22. Connect the trailer harness (P/No: 100TBA-WL) ground ring terminal to the existing vehicle grounding point.
23. Pull the LHS tail light harness into the vehicle and dislodge the LHS tail light grommet.
24. From inside the luggage compartment, route the trailer harness LHS & RHS indicator 3-way patch connectors through the LHS tail light grommet hole to the outside of the vehicle.



Wiring Loom Fitting Instructions
To Suit Kia Sportage
Part Number 100470-WL

25. Route the trailer harness along the towbar towards the LHS of the vehicle.
26. Connect the LHS trailer patch connector to the LHS indicator connector.
27. Connect the RHS trailer patch connector to the RHS indicator connector.
28. Re-fit the rear bumper fascia.
29. Connect the bumper RHS & LHS indicator assembly connectors to the trailer patch mating connectors.
30. Connect the trailer tail light patch 4-way connector to the LHS tail light connector.
31. Following the table below, connect the ezy-tap to the vehicle harness wire and then connect the trailer harness terminal to the corresponding wire.

Function	Trailer Patch	Vehicle Connector
REVERSE	BLACK / WHITE	RED

32. Connect the trailer harness 12-way connector to the ECU.
33. Apply double sided tape to the ECU and adhere it to the vehicle sheet metal on the LHS just below the LHS tail light area.
34. Mount the trailer socket to the towbar mounting bracket using M4 fasteners (not supplied).
35. Route the tail harness (tail length 1200mm) across the towbar towards the LHS of the vehicle and up through the previously drilled out grommet hole.
36. Ensure the tail harness grommet is seated correctly and secure in place using a cable tie (not supplied).
37. Connect the tail harness 8-way connector to the trailer harness mating 8-way connector.
38. Route the trailer harness orange power wire along the LHS of the vehicle, towards the front of the vehicle, following the existing vehicle harness.
39. Route the trailer harness orange power along the passenger side door sill towards the vehicle dash.
40. Route the trailer harness orange power wire under the dash towards the driver's side.
41. Route the trailer harness orange power wire towards the vehicle fuse panel.
42. Remove the vehicle fuse access panel cover.
43. Remove the 15-amp vehicle hazard light fuse and discard.
44. Insert the supplied 15-amp fuse into the lower slot add-a-fuse harness.



Wiring Loom Fitting Instructions
To Suit Kia Sportage
Part Number 100470-WL

45. Insert the supplied 3-amp fuse into the upper slot of the add-a-fuse harness.
46. Insert the add-a-fuse harness into the now vacant vehicle fuse slot.
47. Connect the trailer harness orange power wire connector into the add-a-fuse harness.
48. Test the Trailer socket using a light board or multi-meter.
49. Secure the all harnesses using cables ties (not supplied).
50. Re-fit all removed parts and secure all fasteners.
51. Place instructions in glove box after fitment.