

# TRAILBOSS

## Towbar Fitting Instructions To Suit **LDV T60 SK8C CL4** Part Number **QTLD002L** Rating **3000/300 kg**

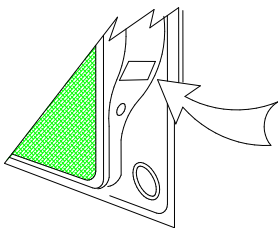
PLACE THESE INSTRUCTIONS IN THE VEHICLE'S GLOVEBOX AFTER INSTALLATION IS COMPLETED

### **WARNING:**

1. Do not, drill, cut, weld or otherwise modify the tow bar.
2. If you are using electric welding on a motor vehicle, **always** check that the vehicle is not equipped with electronic engine or instrument management equipment. Failure to do so could **destroy** any onboard computers. If in doubt, check with the vehicle's manufacturer.
3. The high tensile fasteners supplied with this product were used to achieve the specified rating. If replacement is required ensure that fasteners of the same rating & quality are used. Contact an authorised **Trailboss** dealer if further information is required.
4. If TBM is used in inverted position tow ball may make contact with rear tailgate when lowered, which could cause damage.

### **General:**

1. Ensure all hardware items have been included refer to assembly diagram.
2. It is recommended that the instructions are read through and completely understood before making any attempt to fit this product.
3. Be wary of any changes to vehicle designs or other accessories that may conflict with the installation of this product.
4. Before drilling ensure that the area is clear of fuel, electrical & other components.
5. All holes drilled into the body panels shall have all burrs & swarf removed then coated with a suitable rust preventative paint.
6. For vehicles that require the bumper to be cut. Ensure cut out area is in correct position on the vehicle prior to cutting the bumper.
7. The high tensile fasteners supplied with this product were used to achieve the specified rating. If replacement is required ensure that fasteners of the same rating & quality are used. Contact an authorized **Trailboss** dealer if further information is required.
8. Ensure that all hardware is fastened to torque list below check fasteners on regular basis.
9. Tow bar load rating sticker provided with this product shall be conspicuously located on inside rear end of the driver's door. **(See diagram below).**
10. Trailboss recommends that you check your tow ball to ensure that it complies with the Australian standards **AS 4177.2**.
11. **PLEASE NOTE:** It is advised to remove your LUG or TBM when not actually towing so as to produce a clear view of the vehicles registration plate if obscured, and to also provide maximum available departure angle



Place load rating sticker  
inside driver's door here

**FOR TRAILER TOWING PURPOSES ONLY**  
For towing capacity details please refer to vehicle owner's manual or to the manufacturer. Overloading can void your warranties.

### RECOMMENDED ASSEMBLY TORQUE LISTING

Diameter	Grade 8.8 Bolt
M6	9.5 Nm
M8	21.7 Nm
M10	43.4 Nm
M12	77.3Nm
M14	146 Nm
M16	189.8 Nm

### **Tow bar Maintenance and Care.**

Trailboss recommends that bolt torque's, as listed below, are routinely and regularly inspected and checked for correct tension. Replace any worn or defective parts.

We recommended to remove Tow Ball Mounts (TBM's, tongues or lugs) when not being used for any considerable length of time.

So as to avoid injury, when not towing it is suggested that the tongue, Pull Pin and R-clip are removed then stored in a safe, clean and dry place, away from excessive moisture.

Hitch Pull Pins and spring "R" clips are regularly checked for proper installation. Replace any worn or defective parts.

### **Cequent Customer Service**

Ph: 1800 812 017 Fax: 03 9898 3299

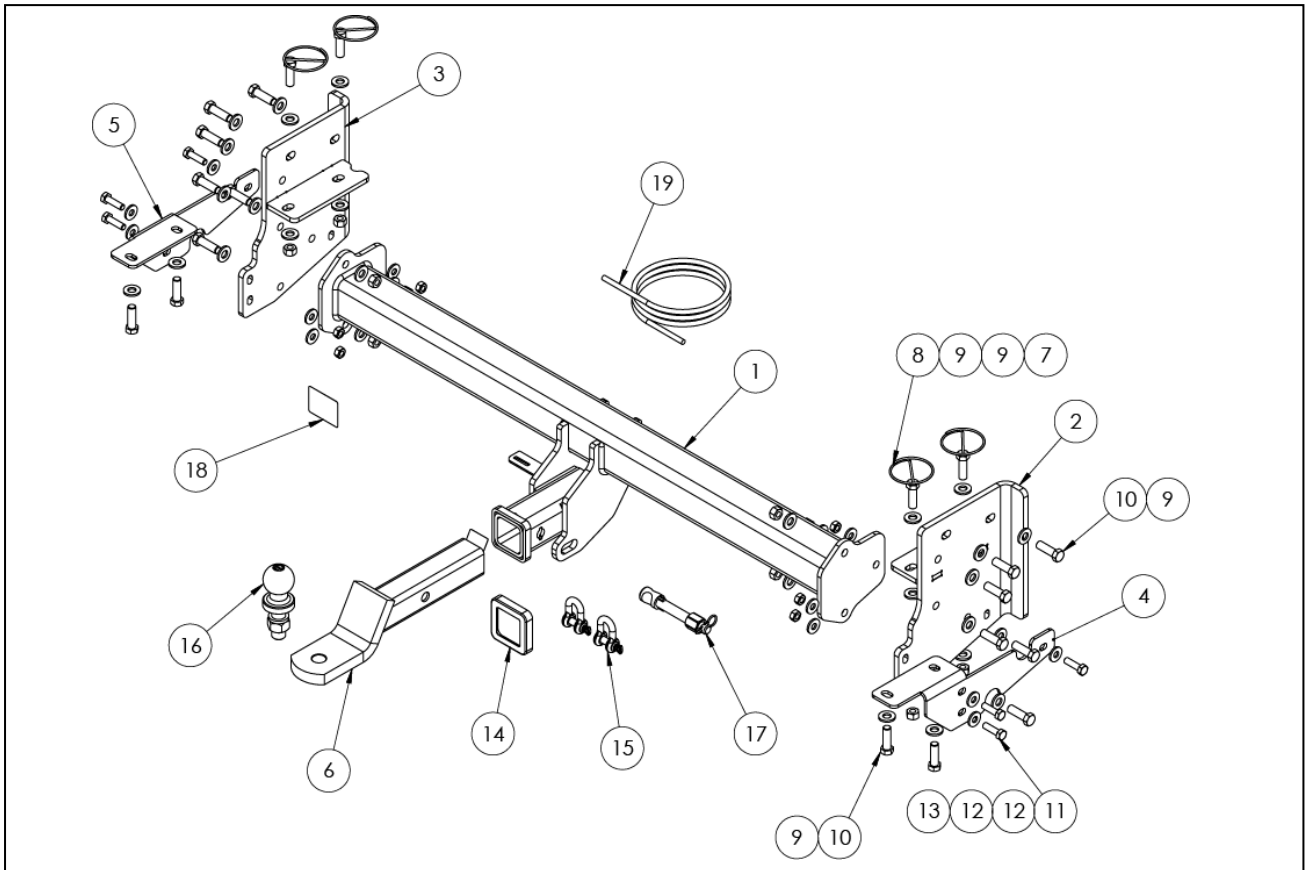
Email: [info@cequent.com.au](mailto:info@cequent.com.au)

Post: PO Box 4050, Dandenong South VIC 3175

# TRAILBOSS

Towbar Fitting Instructions  
 To Suit **LDV T60 SK8C CL4**  
 Part Number **QTLD002L**  
 Rating **3000/300 kg**

PLACE THESE INSTRUCTIONS IN THE VEHICLE'S GLOVEBOX AFTER INSTALLATION IS COMPLETED



ITEM	DESCRIPTION	QTY
1	WELDED ASSEMBLY	1
2	SIDE ARM RHS	1
3	SIDE ARM LHS	1
4	BRACKET SUPPORT RHS	1
5	BRACKET SUPPORT LHS	1
6	TRAILER BALL MOUNT	1
7	M12x1.75 HEX NUT PC8	10
8	BOLT WIRE M12x40x1.75Px300mm	4
9	WASHER PLAIN 1/2X1-1/8X16G	30
10	SET SCREW M12 X 40 X 1.75P G8.8	16
11	SET SCREW HEX HD M10x35x1.25P	6
12	WASHER PLAIN M10 X 25 X 3	12
13	NUT HEX HD M10 X 1.25P G8	6

ITEM	DESCRIPTION	QTY
14	HITCH BOX COLLAR COVER	1
15	10mm "D" SHACKLE	2
16	50mm TOWBALL	1
17	SILENT HITCH PIN - SILVER	1
18	ACRYLIC COMPLIANCE LABEL	1
19	WIRING LOOM	1

**Cequent Customer Service**  
 Ph: 1800 812 017 Fax: 03 9898 3299  
 Email: [info@cequent.com.au](mailto:info@cequent.com.au)  
 Post: PO Box 4050, Dandenong South VIC 3175



Towbar Fitting Instructions  
To Suit **LDV T60 SK8C CL4**  
Part Number **QTLD002L**  
Rating **3000/300 kg**

PLACE THESE INSTRUCTIONS IN THE VEHICLE'S GLOVEBOX AFTER INSTALLATION IS COMPLETED

1. At rear of vehicle, unclip any wiring attached to the rear step.

2. Unbolt 2 x rearmost hex head bolts on LHS of chassis rail connecting the rear step to vehicle. Discard bolts.

Lower spare tyre if more clearance required.

Repeat for opposite side.



3. With two people, support step and loosen remaining hex head bolts on LH and RH side of chassis rail.

Remove step from vehicle and set aside.  
Remove remaining hex head bolt from chassis rail and discard.



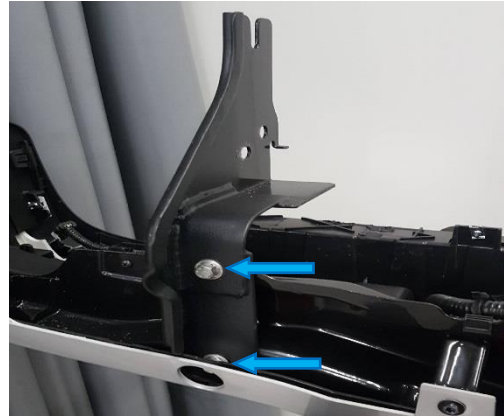
**Cequent Customer Service**  
Ph: 1800 812 017 Fax: 03 9898 3299  
Email: [info@cequent.com.au](mailto:info@cequent.com.au)  
Post: PO Box 4050, Dandenong South VIC 3175

Towbar Fitting Instructions  
To Suit **LDV T60 SK8C CL4**  
Part Number **QTLD002L**  
Rating **3000/300 kg**

PLACE THESE INSTRUCTIONS IN THE VEHICLE'S GLOVEBOX AFTER INSTALLATION IS COMPLETED

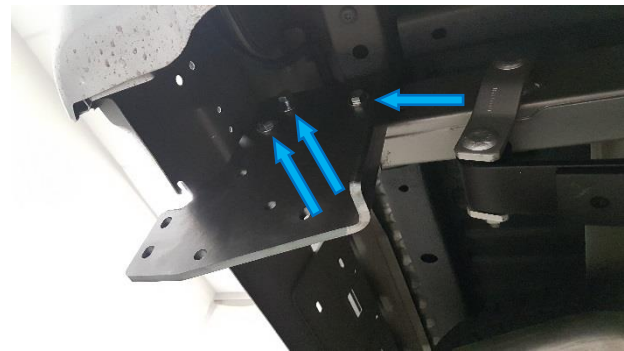
4. Unbolt RHS bracket attached to step (now removed) via 2 x hex head bolts. Discard bolts and bracket.

Repeat for LHS bracket.



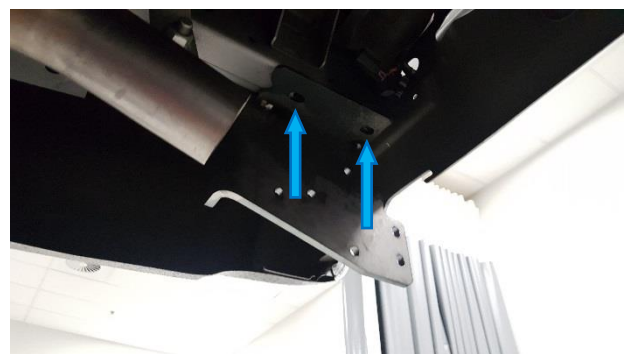
5. On the RHS of vehicle, secure RH side arm to chassis rail via 3 x M12 hex head bolts complete with 1 x M12 washer per bolt.

Repeat for LHS.



6. Loosely secure side arms to the bottom of the chassis rail by inserting 2 x M12 bolts on wire complete with 1 x washer per bolt into chassis rail and through the 2 x mounting holes.

Loosely secure on other side with 1 x M12 washer and 1 x M12 nut per bolt.



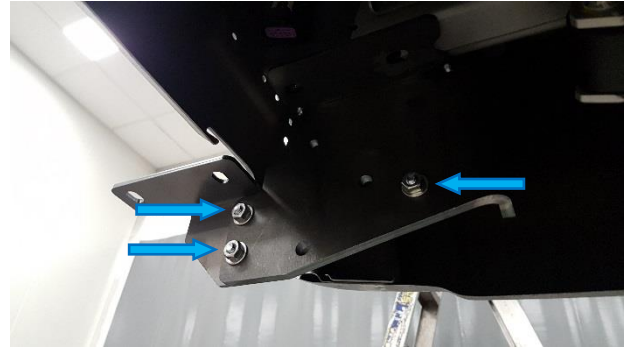
**Cequent Customer Service**  
Ph: 1800 812 017 Fax: 03 9898 3299  
Email: [info@cequent.com.au](mailto:info@cequent.com.au)  
Post: PO Box 4050, Dandenong South VIC 3175

Towbar Fitting Instructions  
To Suit **LDV T60 SK8C CL4**  
Part Number **QTLD002L**  
Rating **3000/300 kg**

PLACE THESE INSTRUCTIONS IN THE VEHICLE'S GLOVEBOX AFTER INSTALLATION IS COMPLETED

7. On LHS of vehicle, loosely secure new step bracket to side arms via 3 x M10 bolts complete with 2 x M10 washers and 1 x M10 nut per bolt.

Repeat for RHS.



8. With 2 people, lift centre welded assembly to side arms and loosely secure with 3 x M12 bolts per side, complete with 2 x M12 washers and 1 x M12 nut per bolt.

Tighten all M12 bolts to the torques listed below:

**M12 x 1.75: 77 N.m**



9. Carefully sit step onto new brackets and secure on both sides with 2 x M12 bolts complete with 1 x M12 washer per bolt.

Tighten all step bracket bolts to the torques listed below:

**M10 x 1.25: 48 N.m**

**M12 x 1.75: 77 N.m**

Reconnect all wiring unclipped in Step 1.



**Cequent Customer Service**

Ph: 1800 812 017 Fax: 03 9898 3299

Email: [info@cequent.com.au](mailto:info@cequent.com.au)

Post: PO Box 4050, Dandenong South VIC 3175



Wiring Loom Fitting Instructions  
To Suit LDV T60  
Part Number 101973-WL

Wiring Loom Installation Instructions

LDV T60

Part No: 101973-WL

ECU: 04837 OR WLT033

Tail Harness Part No Required: WLT024 Must be used and RPA wires connected on all fitments.

RPA Disable Information: Integrated Into Harness

Electric Brake Input Location: Blue Wire near Blue Tail

Connector

Wiring Loom Installation Time: Approx 45 Mins





Wiring Loom Fitting Instructions  
To Suit LDV T60  
Part Number 101973-WL

1. Disconnect the negative battery terminal.
2. Attach the Power Harness (04825) ring terminal to the battery positive post.
3. Route the Power Harness along the edge of the engine bay and down the LHS Chassis.
4. Route the Power Harness along the LHS Chassis rail towards the rear of the vehicle on the LHS, following the existing harness where possible. Cable tie every 600mm (not supplied).
5. At the rear of the vehicle connect the power harness to the trailer wiring harness (101973-WL)
6. Connect the waterproof ECU (04837) to the ECU connector on the harness and mount in a suitable location in the rear left quarter panel using cable ties and cable tie mounts (not supplied)

Note: Ensure excess wire length on the power harness is tied to the chassis rail.

7. Route the trailer wiring harness connector to the RHS chassis rail of the vehicle.
8. Locate the factory sealed 8-way connector and remove the sealing plug.
9. Connect up the trailer wiring connector to the vehicle connector.
10. Under the vehicle LHS, route the ground wire with the grommet back down the LHS chassis rail towards the LHS passenger seat.
11. Fold the seat up by pulling the tab in the center of the seat.
12. Remove the LHS cover and remove the vehicle blanking grommet.
13. Route the ground wire through the grommet hole and seat the grommet into the hole ensuring the grommet is seated correctly and provides a seal.
14. Attach the ground wire to the chassis ground bolt.

Tech Tip: To make the routing easier, use a guide wire to probe down through the grommet hole, tape the ground wire to the guide wire under the vehicle and pull back up through the grommet hole.

15. Secure tail (04943(1200mm with RPA disable)) harness to towbar.
16. Route tail harness up to trailer harness blue connector on the LHS.

Note: RPA disable harness must be used & connected otherwise entire system will not operate.

17. Connect the tail harness 8-way connector to the trailer patch 8-way mating connector.
18. Cut-off, crimp the tail harness GREY and GREY/BLACK wires to the trailer patch matching WHITE and GREY/BLACK wires.



Wiring Loom Fitting Instructions  
To Suit LDV T60  
Part Number 101973-WL

19. Apply silicone grease (not supplied) to waterproof connector.
20. Re-connect negative battery terminal.
21. Test the trailer patch function using a light board or multi-meter.
22. Secure all harnesses using cable ties (not supplied).
23. Re-fit all removed parts and secure all fasteners, ensuring there are no squeaks or rattles.
24. Place the fitting instructions in the glove box after fitment.





# FITTING INSTRUCTIONS

## Silent Anti-Rattle Hitch Pin (PR0001)

• These fitting instructions are supplied to ensure understanding of how the HITCH PIN should be fitted and used correctly.

• Once installed, we recommend **ALL** instructions are kept and placed in the vehicle glove box.

**NOTE: Routine maintenance and inspection of the towbar & HITCH PIN is required. Regularly inspect for wear and check the tightness of the Hitch Pin. Follow instructions below to retighten the nut when necessary.**

**\*Do not tow with your vehicle if the R CLIP or the HITCH PIN is loose or missing. Replacement parts are available from your Pro Series Distributor.**

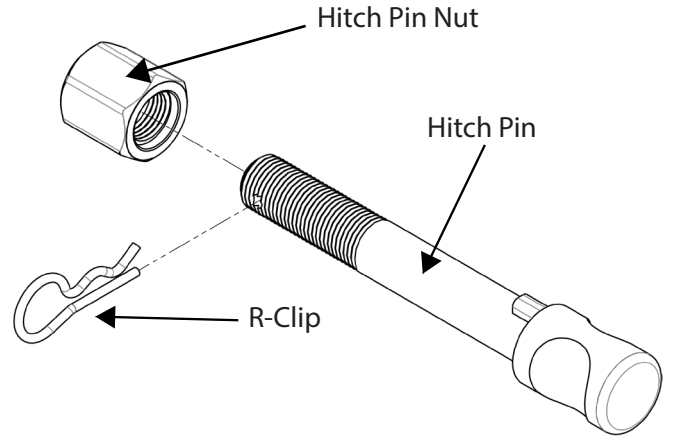


Fig 1. Silent Anti-Rattle Hitch Pin assembly

### STEP 1

Insert Trailer Ball Mount (TBM) into towbar HITCHBOX, aligning hole in TBM SHANK with hole in HITCHBOX (Fig 2).

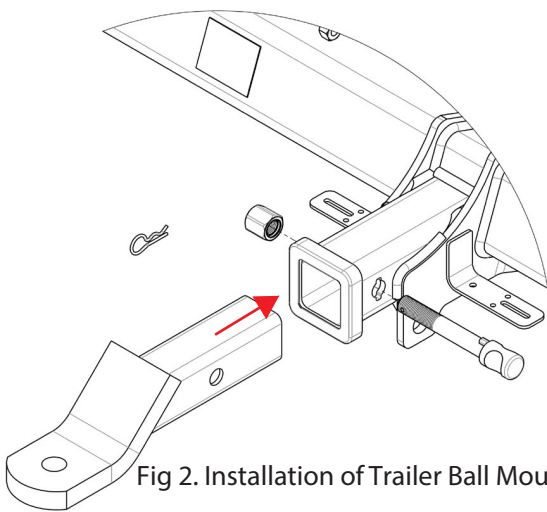


Fig 2. Installation of Trailer Ball Mount

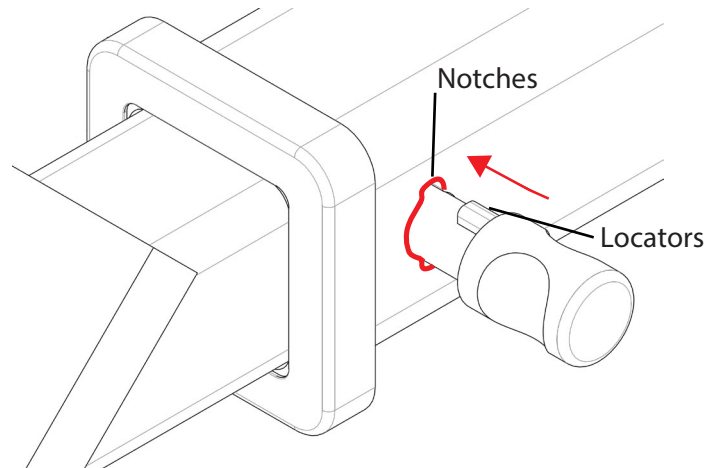


Fig 3. Silent Anti-Rattle Hitch Pin orientation

### STEP 2

Insert HITCH PIN through hole in HITCHBOX and hole in TBM SHANK; ensure the LOCATORS are inserted into the NOTCHES in the HITCHBOX (Fig. 3).

### STEP 3

Screw HITCH PIN NUT onto HITCH PIN ; tighten HITCH PIN NUT until finger tight, ensuring TBM is restrained from movement.

### STEP 4

Tighten HITCH PIN NUT by turning nut a further 1/8th of a turn in the clockwise direction using a 24mm spanner (Fig. 4).

### STEP 5

Install HITCH PIN R CLIP through the hole on the HITCH PIN (Fig. 1).

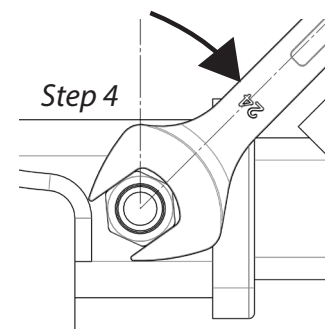


Fig 4. Tightening of Silent Anti-Rattle Hitch Pin Nut