

# TRAILBOSS

Towbar Fitting Instructions  
To Suit **MERCEDES BENZ M CLASS 04/2012 - ON**  
Part Number **QTMB181L**  
Rating **3500 kg**

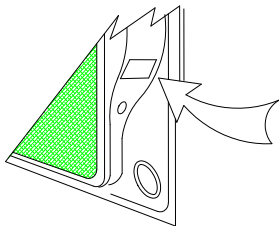
PLACE THESE INSTRUCTIONS IN THE VEHICLE'S GLOVEBOX AFTER INSTALLATION IS COMPLETE

## WARNING:

1. Do not, drill, cut, weld or otherwise modify the tow bar.
2. If you are using electric welding on a motor vehicle, **always** check that the vehicle is not equipped with electronic engine or instrument management equipment. Failure to do so could **destroy** any onboard computers. If in doubt, check with the vehicle's manufacturer.
3. The high tensile fasteners supplied with this product were used to achieve the specified rating. If replacement is required ensure that fasteners of the same rating & quality are used. Contact an authorised **Trailboss** dealer if further information is required.

## General:

1. Ensure all hardware items have been included refer to assembly diagram.
2. It is recommended that the instructions are read through and completely understood before making any attempt to fit this product.
3. Be wary of any changes to vehicle designs or other accessories that may conflict with the installation of this product.
4. Before drilling ensure that the area is clear of fuel, electrical & other components.
5. All holes drilled into the body panels shall have all burrs & swarf removed then coated with a suitable rust preventative paint.
6. For vehicles that require the bumper to be cut. Ensure cut out area is in correct position on the vehicle prior to cutting the bumper.
7. The high tensile fasteners supplied with this product were used to achieve the specified rating. If replacement is required ensure that fasteners of the same rating & quality are used. Contact an authorized **Trailboss** dealer if further information is required.
8. Ensure that all hardware is fastened to torque list below check fasteners on regular basis.
9. Tow bar load rating sticker provided with this product shall be conspicuously located on inside rear end of the driver's door. **(See diagram below)**.
10. Trailboss recommends that you check your tow ball to ensure that it complies with the Australian standards **AS 4177.2**.
11. **PLEASE NOTE:** It is advised to remove your lug or TBM when not actually towing so as to produce a clear view of the vehicles registration plate if obscured, and to also provide maximum available departure angle
12. Pull Pin must be fit in down position.



Place load rating sticker  
inside driver's door here

**FOR TRAILER TOWING PURPOSES ONLY**  
For towing capacity details please refer to vehicle owner's manual or to the manufacturer. Overloading can void your warranties.

### RECOMMENDED ASSEMBLY TORQUE LISTING

Diameter	Grade 8.8 Bolt
M6	9.5 Nm
M8	21.7 Nm
M10	43.4 Nm
M12	77.3Nm
M14	146 Nm
M16	189.8 Nm

## Tow bar Maintenance and Care.

Trailboss recommends that bolt torque's, as listed below, are routinely and regularly inspected and checked for correct tension. Replace any worn or defective parts.

We recommended to remove Tow Ball Mounts (TBM's, tongues or lugs) when not being used for any considerable length of time.

So as to avoid injury, when not towing it is suggested that the tongue, Pull Pin and R-clip are removed then stored in a safe, clean and dry place, away from excessive moisture.

Hitch Pull Pins and spring "R" clips are regularly checked for proper installation. Replace any worn or defective parts.

Rev: **A**

Page 1

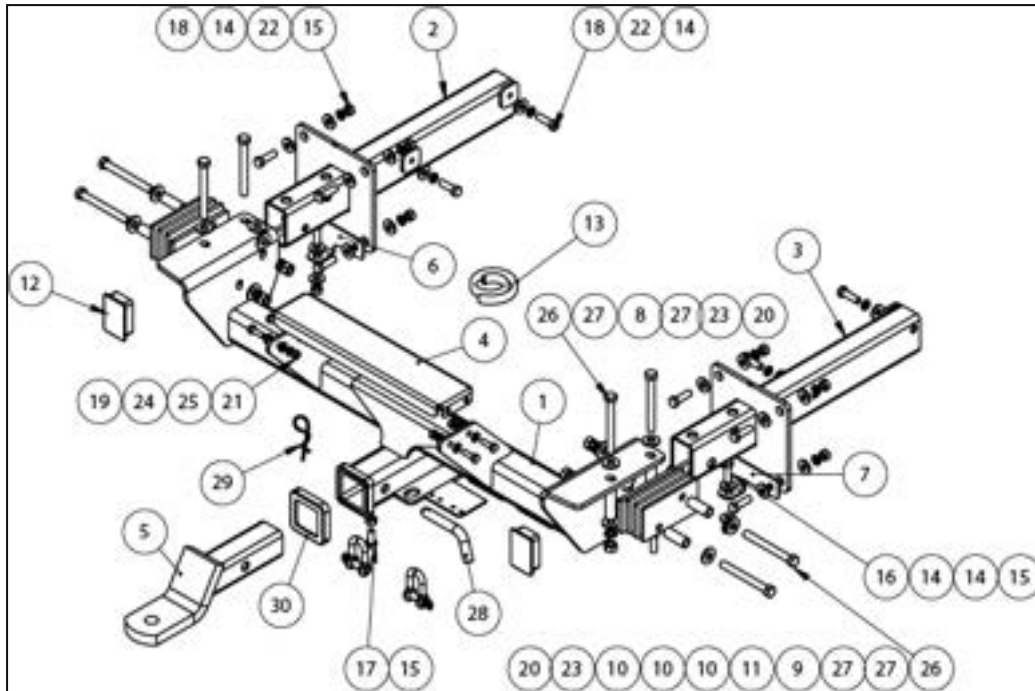
Issue Date **12-07-2012**

**Cequent Customer Service**  
Ph: 1800 812 017 Fax: 03 9898 3299  
Email: info@cequent.com.au  
Post: PO Box 4050, Dandenong South VIC 3175

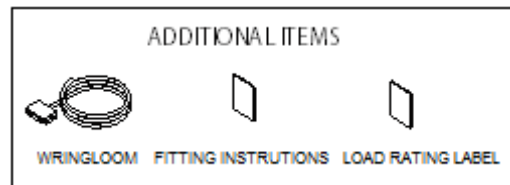
# TRAILBOSS

Towbar Fitting Instructions  
 To Suit **MERCEDES BENZ M CLASS 04/2012 - ON**  
 Part Number **QTMB181L**  
 Rating **3500 kg**

PLACE THESE INSTRUCTIONS IN THE VEHICLE'S GLOVEBOX AFTER INSTALLATION IS COMPLETE



QTY.	DESCRIPTION	ITEM NO.
1	TOWBAR WELDED ASSEMBLY	1
1	LHS CHASSIS INSERT	2
1	RHS CHASSIS INSERT	3
1	SUPPORT STEP	4
1	CLASS 4 TBM	5
1	LH SUPPORT BRACKET	6
1	RH SUPPORT BRACKET	7
4	SPACER TUBE LONG	8
4	SPACER TUBE SHORT	9
6	PACKER - 8mm	10
2	PACKER - 6mm	11
2	PLASTIC END CAP	12
1	BUMPER TRIM PINCH WELD 400mm	13
24	WASHER FT M10 x25.4	14
11	HEX NUTM10 x 1.5	15
3	BOLT M10-1.5x 35mm	16
1	BOLT M10-1.5 x 25	17
12	BOLT M10-1.5x35mm	18
4	BOLT M8 x 25	19
8	M12 x 1.25 HEX NUT	20
4	M8 - 1.25 NUT	21
12	SPRING WASHER M10 x 3.5 x 2.2	22
8	WSHR SPRING FT SEC M12x4.0x2.0mm	23
8	WSHR FT M8x17x1.20 Z/P	24
4	WSHR SPRING FT SEC M8x3.0x2.0mm	25
8	BOLT M12-1.25x110 GR8.8	26
16	WASHER M12x28.8x3mm	27
1	PULL PIN	28
1	RCLIP	29
1	HITCH BOX COLLAR COVER	30





**Towbar Fitting Instructions**  
To Suit **MERCEDES BENZ M CLASS 04/2012 - ON**  
Part Number **QTMB181L**  
Rating **3500 kg**

PLACE THESE INSTRUCTIONS IN THE VEHICLE'S GLOVEBOX AFTER INSTALLATION IS COMPLETE

1. Remove the 3 Scrivets and 2 Bolts (or 5 Scrivets on vehicles without mudguard) which holding the Mudflaps to the Bumper. (Bolt RH and LH side)
2. If mudflap is fitted, remove most bolts which holding the mudflap bracket and wheel arch trim of the vehicle.
3. Use a screw driver to pull back the wheel arch trim and remove most bolts which holding the bumper of the vehicle.
4. Remove the four Bolts which holding the bottom of the Bumper.
5. Remove the floor panel and also the LHS & RHS panels.
6. Remove the spare tyre and the Jack Assembly from rear tyre well.
7. To post 2012 models, remove both LH and RH light assemblies to provide better access to remove Bumper. Remove bumper by firmly pulling outwards to detach from clips.  
(Note: Disconnect rear parking sensor plug if fitted.)
8. To pre 2012 models remove both LH and RH Bolts which holding the bumper of the vehicle. Remove the two Nuts which holding the bumper to the vehicle and firmly pull on bumper to remove.
9. Remove the four Nuts holding the rear Impact Beam which inside of the vehicle and the four Nuts underneath of the vehicle. Also remove the Fuel Tank Cover Bracket Bolts and Muffler Heat shield Bolts.
10. Locate Chassis Inserts to vehicle. Loosely secure both forward mounts using M10x35 Bolts with Spring and Flat Washers.
11. Loosely secure the chassis inserts to the rear panel on the vehicle using M10x35 Bolts with Spring, Flat Washers and M10 Nuts.
12. To post 2012 models, secure supplied Bracket which mount on Chassis Inserts plate to fuel tank cover bracket by using supplied M10x35 bolts with Spring, Flat Washers and M10 nuts. To pre 2012 models disregard this step and supplied brackets.
13. Insert spacer tubes into top and sides of the chassis inserts. Fit main towbar according to diagram on Page 3. Torque all fasteners to specifications.
14. Cut 80mm wide 120mm long from the bottom centre of the bumper bar fit the bumper trim provided over the cut. Refit bumper skin on vehicle and all associated panels and parts.



Wiring Loom Fitting Instructions  
To Suit Mercedes E-Class & Mercedes ML250 / ML350-Class (2011 – Onwards)  
Part Number 100179-WL

## Wiring Loom Installation Instructions

Mercedes E-Class &  
Mercedes ML250 / ML350-Class (2011 – Onwards)  
Part No: 100179-WL  
ECU: 04826

Mercedes E-Class Tail Harness Length Required: 1200mm  
Mercedes ML250 / ML350-Class Tail Harness Length Required: 1800mm

Mercedes E-Class – Pages: 2 – 3  
Mercedes ML250 / ML350-Class – Pages: 4 - 5

Wiring Loom Installation Time: Approx 30 Mins



**Wiring Loom Fitting Instructions**  
**To Suit Mercedes E-Class & Mercedes ML250 / ML350-Class (2011 – Onwards)**  
**Part Number 100179-WL**

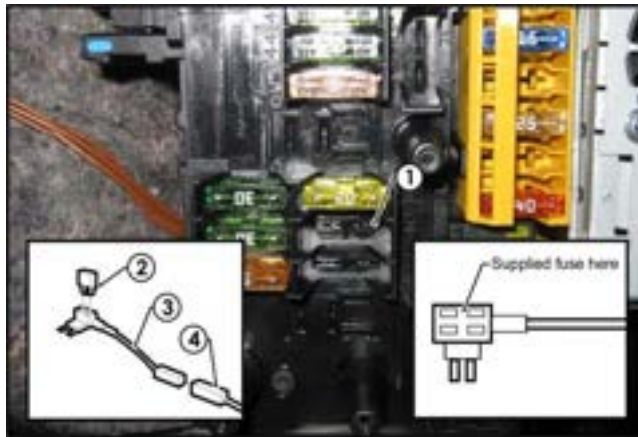
**The following steps are for the Mercedes E-Class models only. For Mercedes ML250/ML350-Class models, please proceed to step 8.**

1. In the luggage compartment, remove the floor carpet cover.
2. Fold the rear seats forwards.
3. Remove the RHS boot hinge cover trim.
4. From outside the vehicle, remove the rear bumper.
5. Back inside the luggage compartment, remove the rear trim.
6. Remove the LHS access panel cover.
7. Remove the two RHS access panel covers.
8. Remove the RHS side trim by first removing any fasteners.
9. From outside the vehicle, remove the RHS rear grommet.
10. Drill out the grommet hole to Ø30mm.
11. File any rough or sharp edges and spray on rust inhibitor.
12. Inside the luggage compartment, disconnect the LHS tail light connector.
13. Patch in the trailer patch (P/No: 100179-WL) mating connectors.
14. Route the trailer harness from the LHS, along the rear of the vehicle and towards the RHS.
15. Disconnect the RHS tail light connector.
16. Patch in the trailer patch mating connectors.
17. Locate the wiring loom behind the RHS boot hinge.
18. Cut open the wiring loom and locate the vehicle 'GREY/BLUE' reverse wire.
19. Following the table below, connect the ezy tap to the harness wire and then connect the trailer harness terminal to the corresponding wire.

Function	Trailer Patch	Vehicle Connector
REVERSE	BLACK / WHITE	GREY / BLUE

## Wiring Loom Fitting Instructions To Suit Mercedes E-Class & Mercedes ML250 / ML350-Class (2011 – Onwards) Part Number 100179-WL

20. Locate the vacant slot in the vehicle fuse panel, just below the vehicle 20-amp fuse.
21. Insert the supplied 30-amp fuse into the upper slot of the add-a-fuse harness.
22. Connect the add-a-fuse harness into the vacant slot on the fuse panel.
23. Connect the trailer harness 1-way connector to the add-a-fuse harness mating connector.



24. Connect the trailer harness 12-way connector into the ECU.
25. Using double sided tape, adhere the ECU to the vehicle sheet metal in the area behind RHS access panel cover.
26. Connect the trailer harness ground ring terminal to the vehicle grounding point, located near the vehicle fuse panel.
27. Mount the trailer socket to the towbar mounting bracket using M4 fasteners (not supplied).
28. Route the tail harness (tail length 1200mm) into the luggage compartment, through the previously drilled out grommet hole.
29. Ensure the tail harness grommet is seated correctly and secure in place using a cable tie (not supplied).
30. Connect the tail harness (tail length 1200mm) 8-way connector to the trailer harness mating 8-way connector
31. Test the Trailer socket using a light board or multi-meter.
32. Secure the all harnesses using cables ties (not supplied).
33. Re-fit all removed parts and secure all fasteners.
34. Place instructions in glove box after fitment.



**Wiring Loom Fitting Instructions**  
**To Suit Mercedes E-Class & Mercedes ML250 / ML350-Class (2011 – Onwards)**  
**Part Number 100179-WL**

**The following steps are for Mercedes ML250/ML350-Class vehicle models. For Mercedes E-Class models, please refer to page 2.**

1. Remove the plastic cover from the luggage compartment floor.
2. Remove the parcel shelf support.
3. In the luggage compartment, remove the carpet cover.
4. Remove both the LHS & RHS luggage compartment storage trays by first removing the two clips.
5. Remove both the LHS & RHS luggage compartment access panels.
6. Remove the rear luggage compartment trim by pulling in an upwards direction.
7. On the RHS of the luggage compartment, remove the parcel shelf screw and the three cargo hooks.
8. Whilst dislodging the RHS luggage compartment trim, disconnect the 2-way connector.
9. Remove the RHS luggage compartment from the vehicle.
10. On the LHS of the luggage compartment, disconnect the vehicle tail light assembly connectors and connect the trailer patch (100179-WL) connectors in between.
11. Route the trailer harness along the inside rear of the luggage compartment towards the RHS of the vehicle.
12. On the RHS of the luggage compartment, disconnect the tail light assembly connectors and connect the trailer patch connectors in between.
13. Locate the 'YELLOW/BLACK' vehicle wire in from the main vehicle loom at the RHS 'D' pillar.
14. Following the table below, connect the ezy tap to the harness wire and then connect the trailer harness terminal to the ezy-tap.

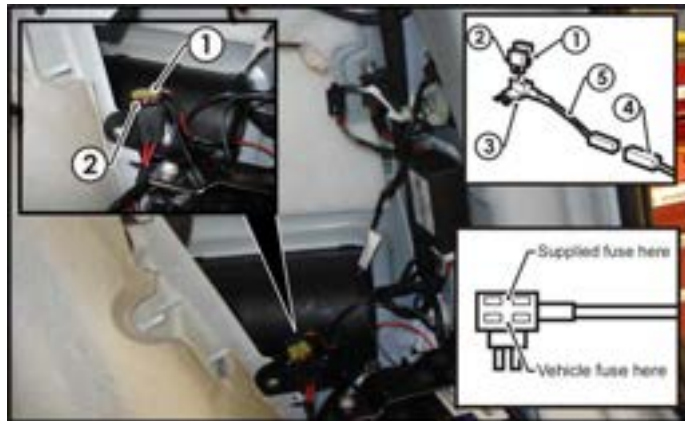
Function	Trailer Patch	Vehicle Connector
REVERSE	BLACK / WHITE	YELLOW / BLACK

15. Secure the ground ring terminal to the vehicle grounding point.
16. Connect the trailer harness 12-way connector into the ECU.
17. Secure the ECU to the vehicle in a suitable location by using double sided adhesive tape.



## Wiring Loom Fitting Instructions To Suit Mercedes E-Class & Mercedes ML250 / ML350-Class (2011 – Onwards) Part Number 100179-WL

18. Locate the 10-amp fuse (1) in the RHS rear panel area and remove.
19. Insert the supplied 20-amp fuse (2) into the upper slot of the add-a-fuse (3) and insert the previously removed 10-amp fuse (1) into the bottom slot of the add-a-fuse (3).
20. Plug the add-a-fuse (3) into the previously removed 10-amp fuse slot.
21. Connect the power patch 1-way connector (4) into the add-a-fuse harness mating connector (5).



22. Mount the trailer socket to the towbar mounting bracket using M4 fasteners (not supplied).
23. Route the tail harness (tail length 1200mm) into the luggage compartment, through the existing grommet hole.
24. Ensure the tail harness grommet is seated correctly and secure in place using a cable tie (not supplied).
25. Connect the tail harness (tail length 1200mm) 8-way connector to the trailer harness mating 8-way connector.
26. Test the trailer harness function using a light board or multimeter.
27. Secure all harnesses using cables ties (not supplied).
28. Re-fit all removed parts and secure all fasteners, ensuring there are no squeaks or rattles.
29. Place instructions in glove box after fitment.





# FITTING INSTRUCTIONS

## Silent Anti-Rattle Hitch Pin (PR0001)

• These fitting instructions are supplied to ensure understanding of how the HITCH PIN should be fitted and used correctly.

• Once installed, we recommend **ALL** instructions are kept and placed in the vehicle glove box.

**NOTE: Routine maintenance and inspection of the towbar & HITCH PIN is required. Regularly inspect for wear and check the tightness of the Hitch Pin. Follow instructions below to retighten the nut when necessary.**

**\*Do not tow with your vehicle if the R CLIP or the HITCH PIN is loose or missing. Replacement parts are available from your Pro Series Distributor.**

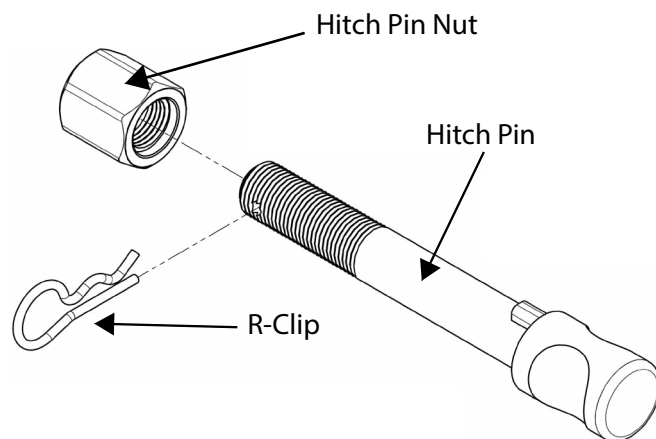


Fig 1. Silent Anti-Rattle Hitch Pin assembly

**STEP 1** Insert Trailer Ball Mount (TBM) into towbar HITCHBOX, aligning hole in TBM SHANK with hole in HITCHBOX (Fig 2).

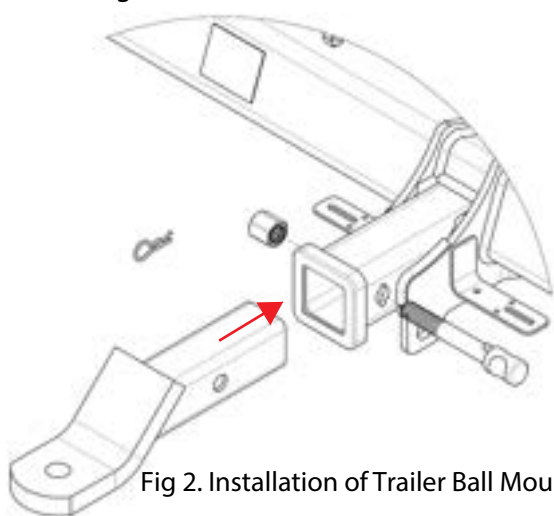


Fig 2. Installation of Trailer Ball Mount

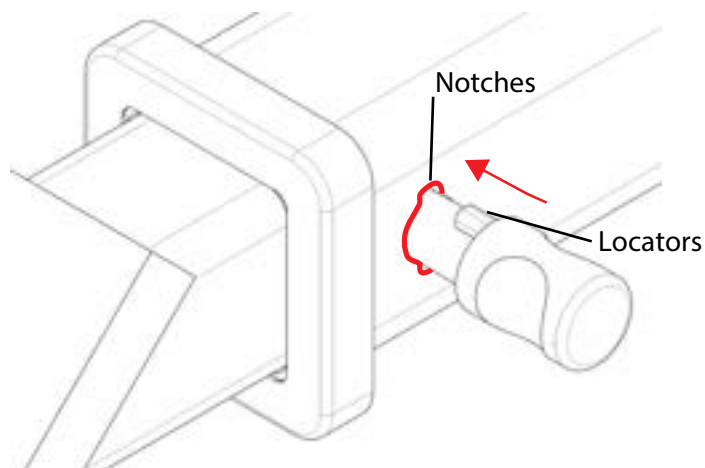


Fig 3. Silent Anti-Rattle Hitch Pin orientation

**STEP 2** Insert HITCH PIN through hole in HITCHBOX and hole in TBM SHANK; ensure the LOCATORS are inserted into the NOTCHES in the HITCHBOX (Fig. 3).

**STEP 3** Screw HITCH PIN NUT onto HITCH PIN ; tighten HITCH PIN NUT until finger tight, ensuring TBM is restrained from movement.

**STEP 4** Tighten HITCH PIN NUT by turning nut a further 1/8th of a turn in the clockwise direction using a 24mm spanner (Fig. 4).

**STEP 5** Install HITCH PIN R CLIP through the hole on the HITCH PIN (Fig. 1).

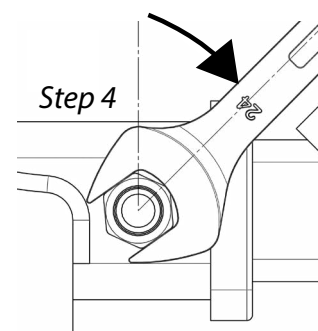


Fig 4. Tightening of Silent Anti-Rattle Hitch Pin Nut