

TRAILBOSS

Towbar Fitting Instructions
To Suit **MERCEDES BENZ GLA '14-ON**
Part Number **QTMB412L**
Rating **1800/180 kg**

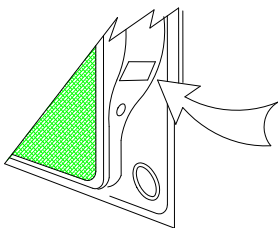
PLACE THESE INSTRUCTIONS IN THE VEHICLE'S GLOVEBOX AFTER INSTALLATION IS COMPLETED

WARNING:

1. Do not, drill, cut, weld or otherwise modify the tow bar.
2. If you are using electric welding on a motor vehicle, **always** check that the vehicle is not equipped with electronic engine or instrument management equipment. Failure to do so could **destroy** any onboard computers. If in doubt, check with the vehicle's manufacturer.
3. The high tensile fasteners supplied with this product were used to achieve the specified rating. If replacement is required ensure that fasteners of the same rating & quality are used. Contact an authorised **Trailboss** dealer if further information is required.
4. If TBM is used in inverted position tow ball may make contact with rear tailgate when lowered, which could cause damage.

General:

1. Ensure all hardware items have been included refer to assembly diagram.
2. It is recommended that the instructions are read through and completely understood before making any attempt to fit this product.
3. Be wary of any changes to vehicle designs or other accessories that may conflict with the installation of this product.
4. Before drilling ensure that the area is clear of fuel, electrical & other components.
5. All holes drilled into the body panels shall have all burrs & swarf removed then coated with a suitable rust preventative paint.
6. For vehicles that require the bumper to be cut. Ensure cut out area is in correct position on the vehicle prior to cutting the bumper.
7. The high tensile fasteners supplied with this product were used to achieve the specified rating. If replacement is required ensure that fasteners of the same rating & quality are used. Contact an authorized **Trailboss** dealer if further information is required.
8. Ensure that all hardware is fastened to torque list below check fasteners on regular basis.
9. Tow bar load rating sticker provided with this product shall be conspicuously located on inside rear end of the driver's door. **(See diagram below).**
10. Trailboss recommends that you check your tow ball to ensure that it complies with the Australian standards **AS 4177.2.**
11. **PLEASE NOTE:** It is advised to remove your lug or tbn when not actually towing so as to produce a clear view of the vehicles registration plate if obscured, and to also provide maximum available departure angle
12. Pull Pin must be fit in down position.



Place load rating sticker
inside driver's door here

FOR TRAILER TOWING PURPOSES ONLY
For towing capacity details please refer to vehicle owner's manual or to the manufacturer. Overloading can void your warranties.

RECOMMENDED ASSEMBLY TORQUE LISTING

<u>Diameter</u>	<u>Grade 8.8 Bolt</u>
M6	9.5 Nm
M8	21.7 Nm
M10	43.4 Nm
M12	77.3Nm
M14	146 Nm
M16	189.8 Nm

Tow bar Maintenance and Care.

Trailboss recommends that bolt torque's, as listed below, are routinely and regularly inspected and checked for correct tension. Replace any worn or defective parts.

We recommended to remove Tow Ball Mounts (TBM's, tongues or lugs) when not being used for any considerable length of time.

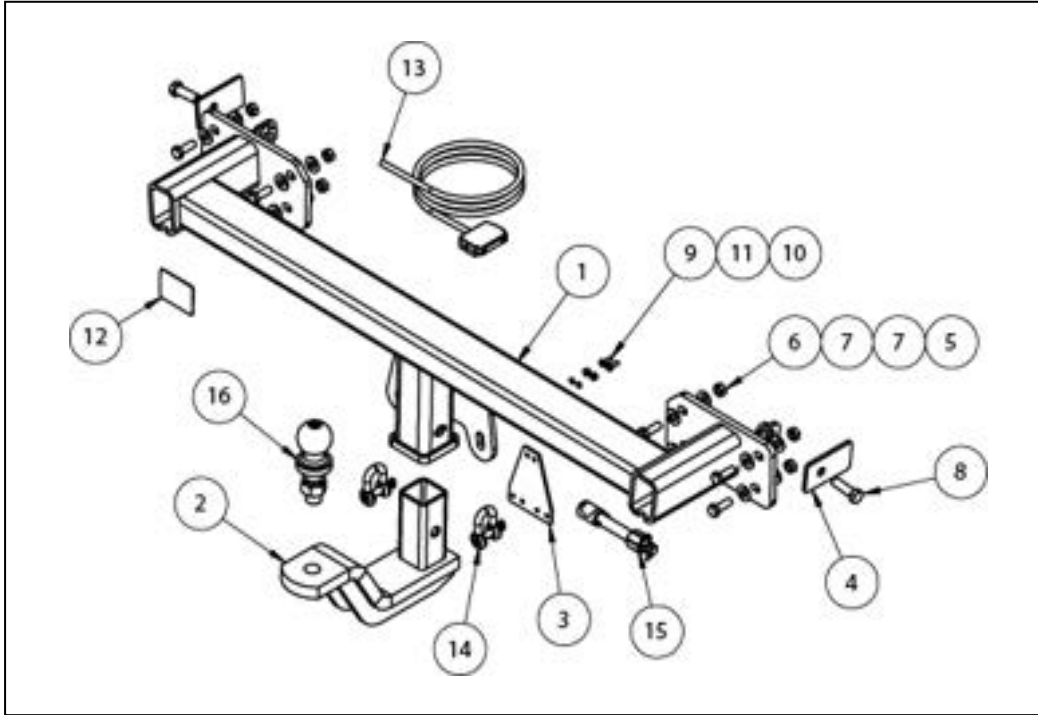
So as to avoid injury, when not towing it is suggested that the tongue, Pull Pin and R-clip are removed then stored in a safe, clean and dry place, away from excessive moisture.

Hitch Pull Pins and spring "R" clips are regularly checked for proper installation. Replace any worn or defective parts.

TRAILBOSS

Towbar Fitting Instructions
 To Suit **MERCEDES BENZ GLA '14-ON**
 Part Number **QTMB412L**
 Rating **1800/180 kg**

PLACE THESE INSTRUCTIONS IN THE VEHICLE'S GLOVEBOX AFTER INSTALLATION IS COMPLETED



QTY.	DESCRIPTION	ITEM NO.
1	WELDED ASSY	1
1	TBM ASSY	2
1	PLUG PLATE	3
2	CHASSIS WASHER PLATE	4
8	SET SCREW M10-1.25x30 Z/P	5
8	NUT HX M10-1.25 Z/P	6
16	WASHER FLAT M10x23x2 Z/P	7
2	SET SCREW M12x40x1.75P	8
2	SCREWPHILIP 3/16x5/8 UNC 25TPI	9
2	3/16 SPRING WASHER ZINC	10
2	NUT HX 3/16" UNC Z/P	11
1	ACRYLIC COMPLIANCE PLATE	12
1	WIRING LOOM	13
2	10mm D SHACKLE	14
1	ANTI-RATTLE PULL PIN ASSY	15
1	50mm TOWBALL	16



Towbar Fitting Instructions
To Suit **MERCEDES BENZ GLA '14-ON**
Part Number **QTMB412L**
Rating **1800/180 kg**

PLACE THESE INSTRUCTIONS IN THE VEHICLE'S GLOVEBOX AFTER INSTALLATION IS COMPLETED

INSTRUCTION:

1. Remove 1x Plastic push-Rivet within Rear wheel well; repeat for opposite side of vehicle.
2. Remove 2x Plastic push Rivets from underneath bumper, located rearwards of the rear tires. These secure rear bumper assembly to internal wheel well trim.
3. Carefully peel away outer wheel well trim past the seam between the outer bumper trim and the main vehicle body.
Trim may be difficult to separate from bumper, however the tabs securing the trim can be accessed from underneath the bumper to assist in removal.
4. From within the rear wheel well, remove newly exposed Screw securing bumper to vehicle chassis. Repeat for opposite side of vehicle.
5. Remove 2x Screws from inside bumper, rearwards of exhaust; these secure rear bumper assembly to rear end of vehicle chassis.
6. From within boot cavity, open side panels and remove spring-loaded Screw (1 per side) securing tail lights to vehicle.
7. Remove tail lights by pulling rearwards; disconnect plugs from lights and store lights in safe place.
8. Reaching underneath bumper, disconnect cables from 6x sensor plugs mounted to inside of rear vehicle bumper and loosen cabling from inner bumper fascia.
This step must be performed before bumper removal is attempted, as cables will restrict removal.
9. Peel away rubber lining around lower end of boot cavity.
10. Carefully peel bumper trim from vehicle body.

Tabs securing bumper to rear face of vehicle are well secured, but can be loosened by using a flathead screwdriver or similar tool to pry tabs.

CAUTION: Be careful to ensure that bumper trim is not damaged by use of tools to assist removal of bumper.

Upon removal of bumper, unclip cable from ECU units located on either internal side of bumper trim.

11. Lower exhaust by removing 2x Screws securing exhaust to chassis.
12. Remove heat shield from chassis body by loosening and removing multiple fasteners securing shield to body.
13. Remove impact beam from chassis by removing 8x Nuts (4 per side) securing beam.

Remove small rubber grommets from outer face of chassis rails.

Discard impact beam after removal.



Towbar Fitting Instructions
To Suit **MERCEDES BENZ GLA '14-ON**
Part Number **QTMB412L**
Rating **1800/180 kg**

PLACE THESE INSTRUCTIONS IN THE VEHICLE'S GLOVEBOX AFTER INSTALLATION IS COMPLETED

14. Install Towbar to vehicle, using Nuts and Bolts supplied to secure Towbar through factory mounting holes on rear chassis panel and chassis rail.

Use spacer plate provided to provide extra reinforcement between chassis rail and side-mounted Bolt.

15. Cut out a section of the heat shield, at the centre, to allow for clearance for Towbar.

Following upper lip, make a cut 140cm long using tinsnips or similar tool.

Remount heat shield to vehicle body.

16. Mount tail plug plate (Item 3) to Towbar assembly; mount wiring plug where possible.

17. Perform cut on rear bumper.

Working about the centre of the Bumper; make cut 95mm wide and 45mm long.

NOTE: Due to variance in bumper designs, cut may vary in size or not be required at all.

18. Reinstall vehicle bumper assembly following steps 1 to 11 in reverse.

NOTE: Remove TBM from towbar when not in use.



Wiring Loom Fitting Instructions
To Suit Mercedes B-Class / GLA
Part Number 100869-WL

Wiring Loom Installation Instructions

Mercedes B-Class / GLA
Part No: 100869-WL

ECU B-Class Required: 04831
ECU GLA Required: 04826

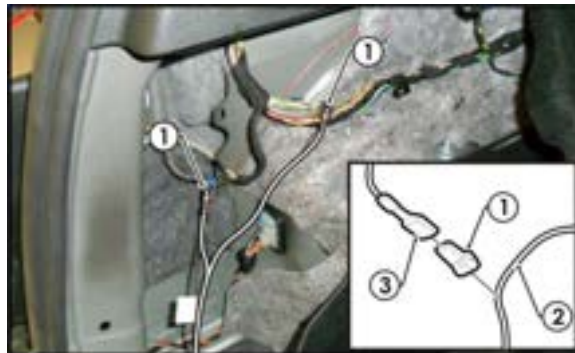
B-Class: Pages 2 – 3
GLA: Pages 4 - 6

Tail Harness Length Required: 1200mm

TRAILBOSS

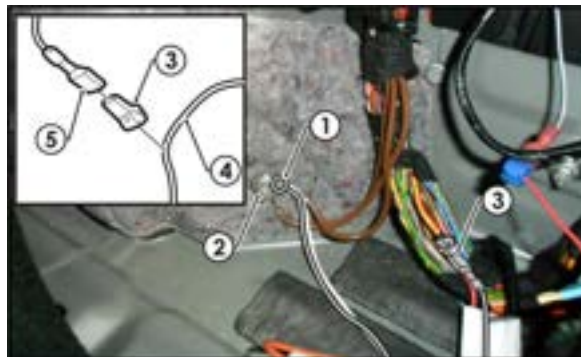
Wiring Loom Fitting Instructions To Suit Mercedes B-Class / GLA Part Number 100869-WL

1. In the luggage compartment, remove the rubber floor cover.
2. Remove the six star screws underneath the plastic trim cover and dislodge.
3. Dislodge both the LHS & RHS luggage compartment trims by removing the four fasteners, the two cargo hooks and the two access panels.
4. On the LHS rear quarter panel, following the table below, connect the ezy-taps (1) to the corresponding vehicle wires (2), then connect the trailer patch terminals (3) to the ezy-taps (1).



Function	Trailer Patch	Vehicle Connector
L IND	YELLOW / BLACK	BLACK / YELLOW
REV	BLACK / WHITE	GREY / YELLOW

5. Route the trailer harness (100869-WL) along the rear luggage compartment towards the RHS.
6. On the RHS rear quarter panel, connect the trailer patch ground ring terminal (1) to the vehicle grounding point (2).
7. Following the table below, connect the ezy-tap (3) 'ORANGE' power wire to the vehicle 'YELLOW / RED' +12V wire (4), then connect the trailer patch terminal (5) to the ezy-tap (3).



Function	Trailer Patch	Vehicle Connector
+12V	ORANGE	YELLOW / RED

Wiring Loom Fitting Instructions To Suit Mercedes B-Class / GLA Part Number 100869-WL

8. On the RHS rear quarter of the vehicle, drill a Ø30mm hole (1).



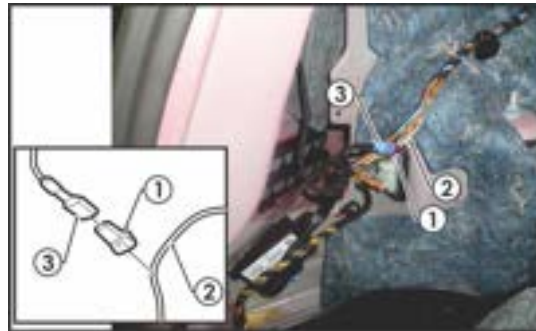
9. File any rough or sharp edges and spray on rust inhibitor.
10. In the RHS of luggage compartment, following the table below, connect the ezy-taps to the corresponding tail light wires, then connect the trailer patch terminals to the ezy-taps.

Function	Trailer Patch	Vehicle Connector
R.IND	GREEN / BLACK	GREEN / BLACK
BRAKES	RED / BLACK	GREY / RED
TAIL	BROWN / BLACK	GREY / ORANGE

11. Apply double sided tape to the ECU (04831) and adhere it to the vehicle sheet metal on the RHS of the luggage compartment, in a suitable location.
12. Connect the trailer patch 12-way connector to the ECU.
13. Mount the trailer socket to the tow bar mounting bracket using M4 fasteners (not supplied).
14. Route the tail harness across the tow bar towards the RHS of the vehicle and up through the previously drilled out hole.
15. Ensure the tail harness grommet is seated correctly and secure in place using a cable tie (not supplied).
16. Connect the tail harness (tail length 1200mm) 8-way connector to the trailer patch mating 8-way connector.
17. Test the trailer patch function using a light board or multi meter.
18. Secure all harnesses using cable ties (not supplied).
19. Re-fit all removed parts and secure all fasteners, ensuring there are no squeaks or rattles.
20. Place the fitting instructions in the glove box after fitment.

Wiring Loom Fitting Instructions To Suit Mercedes B-Class / GLA Part Number 100869-WL

1. In the luggage compartment, remove floor cover.
2. Dislodge the LHS luggage compartment trim by removing the required fasteners and the access panel.
3. Dislodge the RHS luggage compartment trim by removing the required fasteners and the access panel.
4. Remove the luggage compartment rear trim by removing the fasteners.
5. At the LHS interior rear quarter area, following the table below, connect the ezy-taps (1) to the corresponding vehicle wires (2), then connect the trailer patch terminals (3) to the ezy-taps (1).



Function	Trailer Patch	Vehicle Connector
L.IND	YELLOW / BLACK	BLACK / YELLOW
REV	BLACK / WHITE	BLACK / WHITE

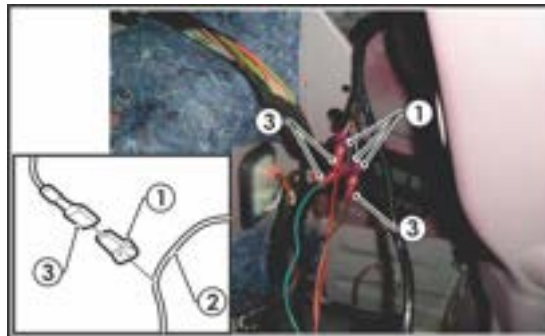
6. Route the trailer harness (100869-WL) along the rear luggage compartment towards the RHS.
- Note: trims should still be left off at this point.**
7. On the RHS rear quarter exterior of the vehicle sheet metal area, below the vent, drill a Ø30mm hole (1).



8. File any rough or sharp edges and spray on rust inhibitor.

Wiring Loom Fitting Instructions To Suit Mercedes B-Class / GLA Part Number 100869-WL

- In the RHS interior rear quarter area, following the table below, connect the ezy-taps (1) to the corresponding vehicle wires (2), then connect the trailer patch terminals (3) to the ezy-taps (1).



Function	Trailer Patch	Vehicle Connector
R. IND	GREEN / BLACK	BLACK / GREEN
BRAKES	RED / BLACK	GREY / RED
TAIL	BROWN / BLACK	GREY / ORANGE

- Apply double sided tape to the ECU (04826) and adhere it to the vehicle sheet metal on the RHS of the luggage compartment above the vent on a suitable area. Note: Ensure the ECU is mounted with the connector facing downwards.
- Connect the trailer patch 12-way connector to the ECU.
- On the RHS rear quarter panel, connect the trailer patch ground ring terminal to the vehicle grounding point.
- Following the table below, connect the ezy-tap (3) 'ORANGE' power wire to the vehicle 'YELLOW / RED' +12V wire (4), then connect the trailer patch terminal (5) to the ezy-tap (3). Note: If the wire size is too large, solder the ORANGE wire to the vehicle ILV wire.



- Mount the trailer socket to the tow bar mounting bracket using M4 fasteners (not supplied).
- Route the tail harness across the tow bar towards the RHS of the vehicle and up through the previously drilled out hole.



Wiring Loom Fitting Instructions
To Suit Mercedes B-Class / GLA
Part Number 100869-WL

16. Ensure the tail harness grommet is adjusted and seated correctly and secure in place using a cable tie (not supplied).
17. Connect the tail harness (tail length 1200mm) 8-way connector to the trailer patch mating 8-way connector.
18. Test the trailer patch function using a light board or multi meter.
19. Secure all harnesses using cable ties (not supplied).
20. Re-fit all removed parts and secure all fasteners, ensuring there are no squeaks or rattles.
21. Place the fitting instructions in the glove box after fitment.



FITTING INSTRUCTIONS

Silent Anti-Rattle Hitch Pin (PR0001)

• These fitting instructions are supplied to ensure understanding of how the HITCH PIN should be fitted and used correctly.

• Once installed, we recommend **ALL** instructions are kept and placed in the vehicle glove box.

NOTE: Routine maintenance and inspection of the towbar & HITCH PIN is required. Regularly inspect for wear and check the tightness of the Hitch Pin. Follow instructions below to retighten the nut when necessary.

***Do not tow with your vehicle if the R CLIP or the HITCH PIN is loose or missing. Replacement parts are available from your Pro Series Distributor.**

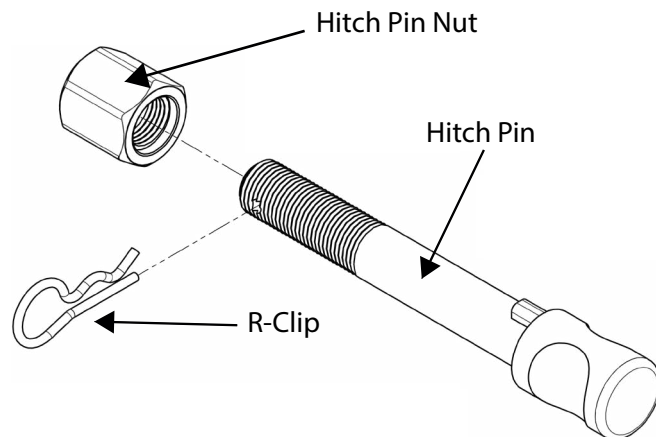


Fig 1. Silent Anti-Rattle Hitch Pin assembly

STEP 1

Insert Trailer Ball Mount (TBM) into towbar HITCHBOX, aligning hole in TBM SHANK with hole in HITCHBOX (Fig 2).

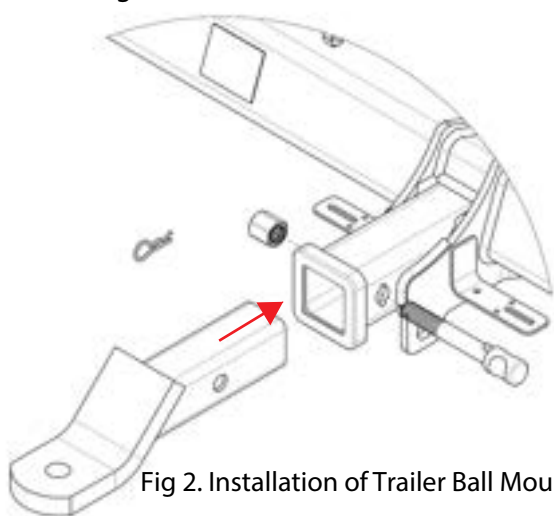


Fig 2. Installation of Trailer Ball Mount

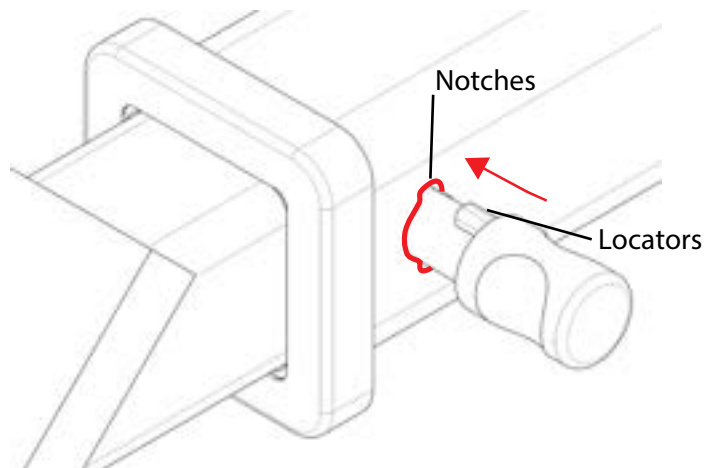


Fig 3. Silent Anti-Rattle Hitch Pin orientation

STEP 2

Insert HITCH PIN through hole in HITCHBOX and hole in TBM SHANK; ensure the LOCATORS are inserted into the NOTCHES in the HITCHBOX (Fig. 3).

STEP 3

Screw HITCH PIN NUT onto HITCH PIN; tighten HITCH PIN NUT until finger tight, ensuring TBM is restrained from movement.

STEP 4

Tighten HITCH PIN NUT by turning nut a further 1/8th of a turn in the clockwise direction using a 24mm spanner (Fig. 4).

STEP 5

Install HITCH PIN R CLIP through the hole on the HITCH PIN (Fig. 1).

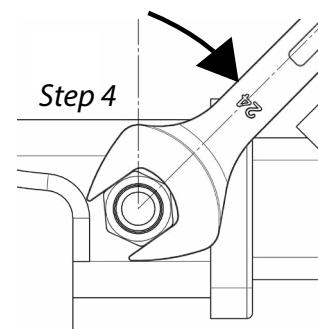


Fig 4. Tightening of Silent Anti-Rattle Hitch Pin Nut