

PRODUCT DETAILS:

Part Number:	QTSU32L	Maximum Towing Braked:	1300	kg
ECU Number:	04826	Maximum Towing Unbraked:	350	kg
Tail Harness Length Required:	400 mm.	Maximum Static Ball Load:	75	kg
TBM/Lug Part Number:	21161			

FITTING DETAILS:

Towbar Installation Time:	45 Mins.	RPA Disable/Other:	NO
Total Installation Time:	90 Mins.		
Bumper Cut Required:	No		

Note:

- **Electric brake blue wire near the blue connector**

TRAILBOSS RECOMMENDS THAT INSTRUCTIONS ARE READ AND UNDERSTOOD COMPLETELY PRIOR TO FITMENT.

BEFORE YOU START:

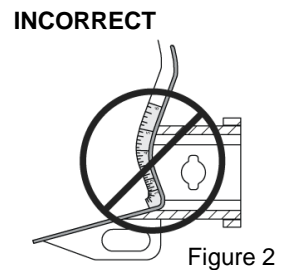
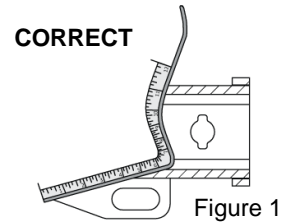
Check all hardware items have been included refer to assembly diagram.
Please ensure this towbar is only fitted to vehicle models as per Trailboss application guide.

Bumper Cuts

Vehicle and bumper variations can and do occur during vehicle manufacture after initial towbar design. Fitment of towbar to vehicle and accuracy of bumper cut must be assessed prior to any bumper modifications made. Incorrect bumper cuts are not covered under Trailboss warranty.

NOTE: Bumper cuts need to be approached with care, refer to notes below.

- Bumper centreline – where the centreline of the bumper needs to be determined, the installer must assess centre point by measurement of bumper width or determining two symmetrical reference points to give centreline.
- Bumper edge – To assist with accurate bumper cut measurement, reference to the start of the bumper edge is now being commonly used.
 - Measure from bottom edge along bumper and around corner to the 70 mm point (Figure 1).
 - Do not measure from visible bumper front of corner, upwards (Figure 2).



Drilling

- For any required drilling during installation, ensure that the area is clear of fuel, electrical & other components that may be damaged.
- All holes drilled into metal body panels shall have all burrs & swarf removed then coated with a suitable rust preventative paint.

Bolts/Fasteners

- Ensure that all hardware is fastened to correct torque as specified in this fitting instruction.
- All fasteners supplied with this product are used to achieve a specified clamp loading. If replacement is required ensure that fasteners of the same grade and class are used.

NOTE: Achieving correct torque is critical to proper installation and responsibility of the installer. Towbar failures attributed to tension issues from over tightening or under tightening are not covered by Trailboss warranty.

Product Labels

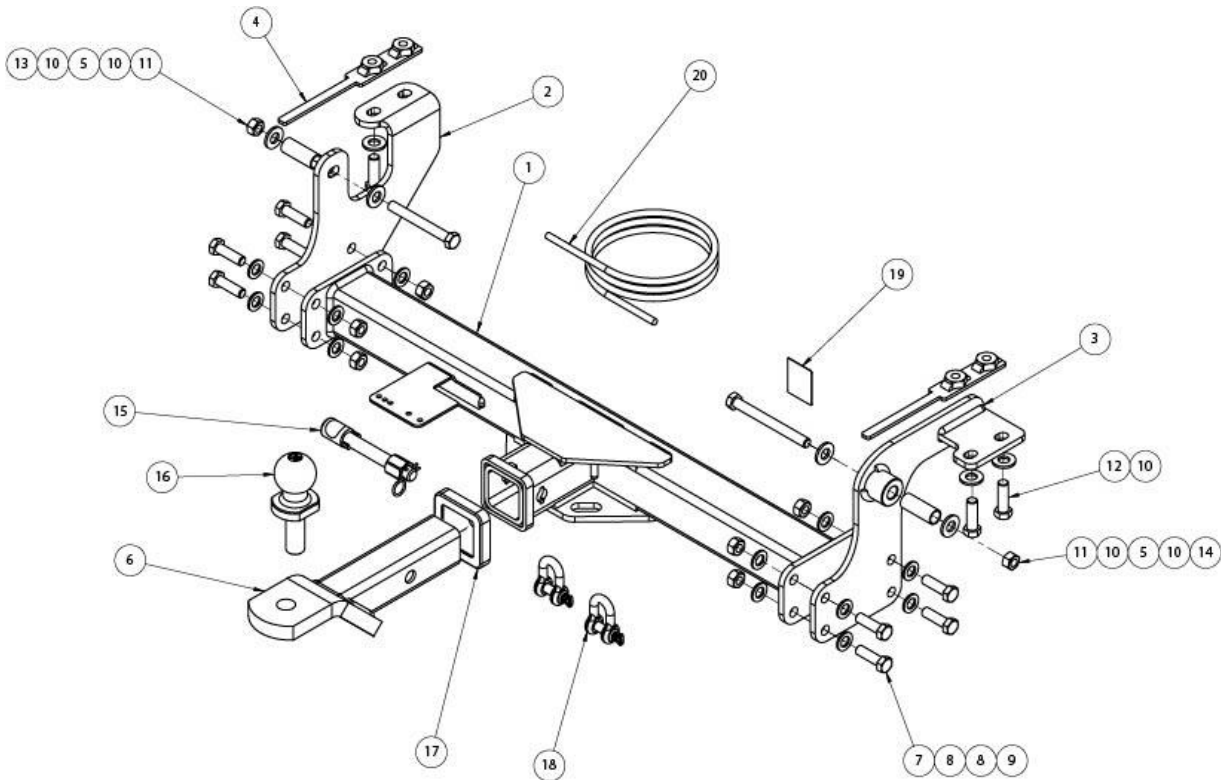
- a. Towbar load rating sticker provided with this product shall be conspicuously located on inside rear end of the driver's door.

WARNING:

Do not, drill, cut, weld or otherwise modify the towbar.

FOR TOWING PURPOSES ONLY - This towbar is designed and tested by Trailboss to adhere to ADR 62/02 which provides only for the expected load demands of towing.

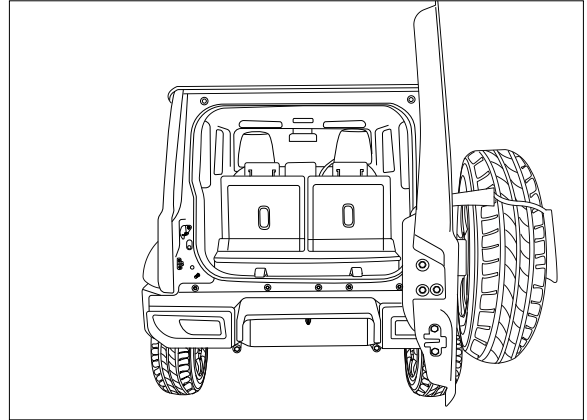
i TOWBAR ASSEMBLY DIAGRAM



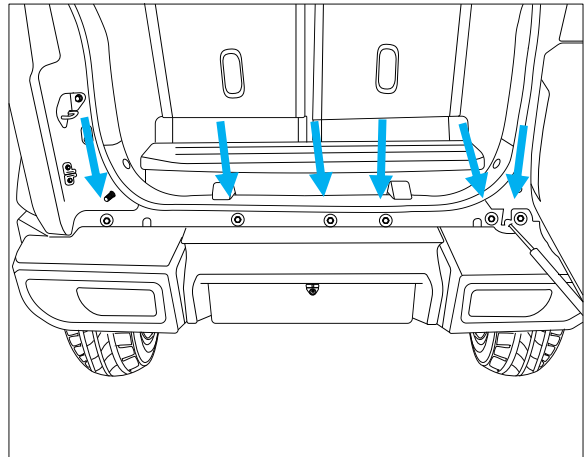
ITEM	DESCRIPTION	QTY
1	SUZUKI JIMNY WELDED ASSEMBLY	1
2	SIDEARM LHS	1
3	SIDEARM RHS	1
4	BRACKET WELDED ASSEMBLY	2
5	SPACER TUBE CHS 19ODx1.6x49mm	2
6	TRAILER BALL MOUNT	1
7	BOLT HEX HD M12x40x1.25P	8
8	WASHER FLAT M12x28x3	16
9	NUT HEX M12x1.25P	8
10	WASHER FLAT M14x28x3	8

ITEM	DESCRIPTION	QTY
11	NUT HEX M12x1.25P	2
12	SET SCREW HEX HD M12x40x1.75P	4
13	BOLT HEX HD M12x100x1.25P	1
14	BOLT HEX HD M12x120x1.25P	1
15	SILENT HITCH PIN – SILVER	1
16	50mm TOWBALL	1
17	HITCH BOX COLLAR COVER	1
18	"D" SHACKLE 10mm	2
19	ACRYLIC COMPLIANCE LABEL	1
20	WIRING LOOM	1

1. Open tailgate.

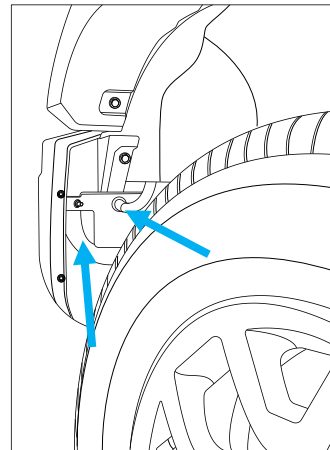


2. Remove 4 x M10 hex screws and 2 x scrivets from topside of bumper.

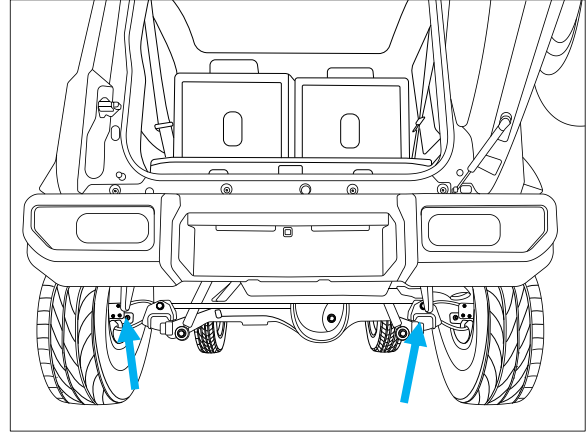


3. Remove 2 x M10 hex screws from wheel arch.

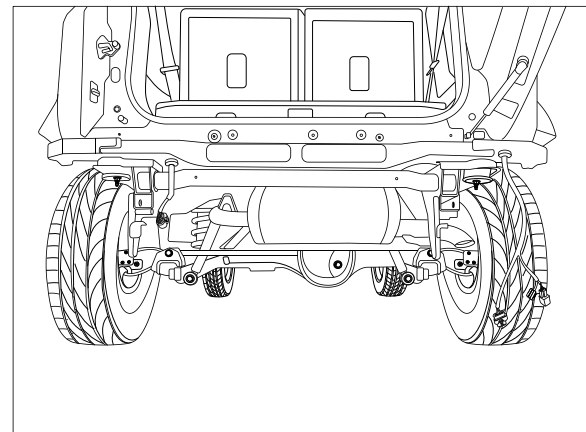
Repeat for opposite side.



-
4. Remove 2 x M10 hex screws from underside of bumper.



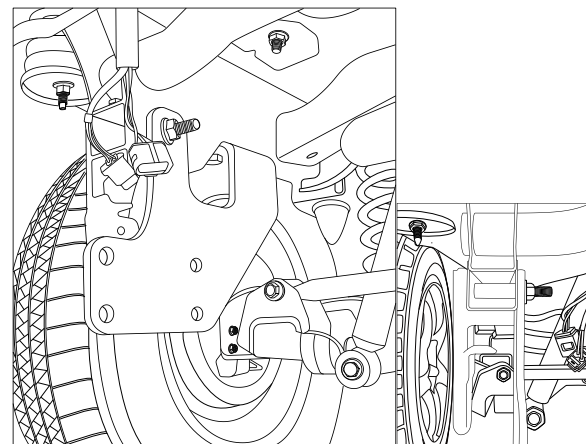
-
5. Peel away bumper and disconnect wiring on both sides.



-
6. Attach LH sidearm to chassis rail using:

- 1 x M12 x 100mm bolt complete with 1 x nut, 2 x washers and 1 x 50mm spacer to be inserted within the chassis rail (as shown).

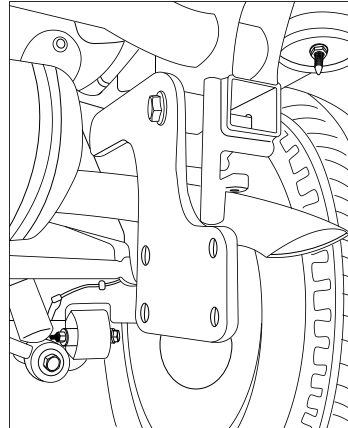
- 2 x M12 x 40mm x 1.75P bolts complete with 1 x washer and captive nut plate to be inserted within the chassis rail.



7. Attach RH sidearm to chassis rail using:

- 1 x M12 x 120mm bolt complete with 1 x nut, 2 x washers and 1 x 50mm spacer to be inserted within the chassis rail.

- 2 x M12 x 40mm x 1.75P bolts complete with 1 x washer and captive nut plate to be inserted within the chassis rail.



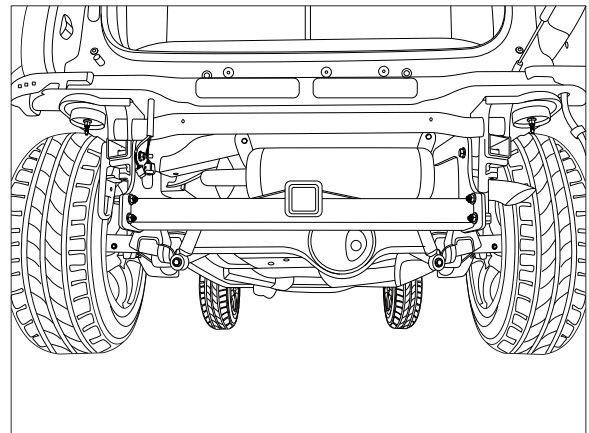
8. Attach towbar central section to each sidearm using 4 x M12 bolts complete with 2 x washers and 1 x nut per bolt.

Torque fasteners as follows:

- M12x1.25P = 89 Nm

- M12x1.75P = 77 Nm

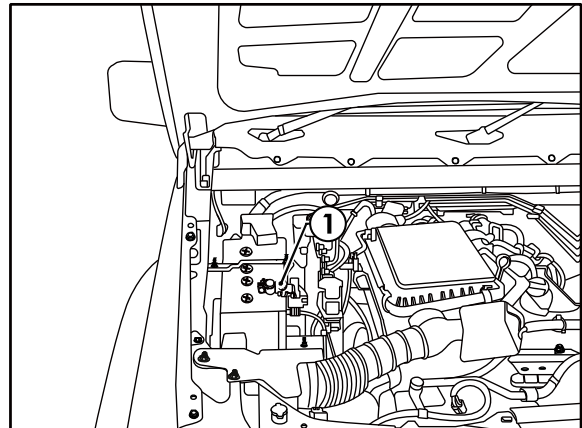
NOTE: Tighten side arms to chassis rail first in an even pattern/sequence. Repeat for centre section to side arms.



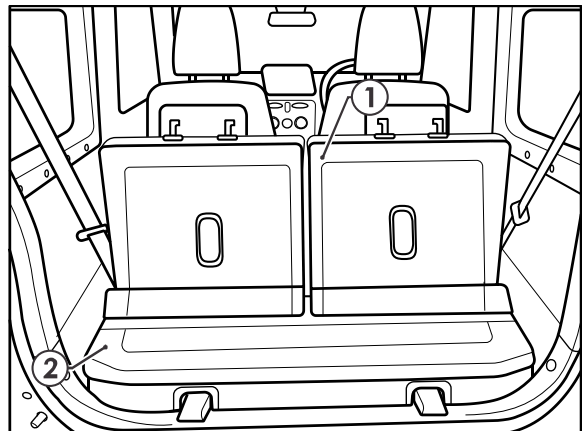
IMPORTANT

Due to possible vehicle variations, always confirm any noted vehicle colour wires with a multi-meter to ensure the correct function is identified before soldering or scotch locking. For vehicle wires denoted with two colours (example; RED/GREEN) the first colour will always be the main wire colour while the second colour is the thinner trace colour on the wire.

-
9. In the Engine Bay, disconnect the vehicle battery negative terminal (1).

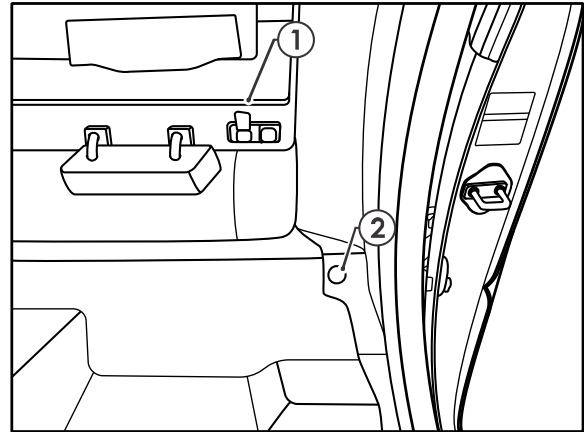


-
10. In the luggage compartment, fold down the rear seats (1).
11. Remove the storage tray (2) by pulling in an upwards direction.
12. Remove the carpet under the storage tray.

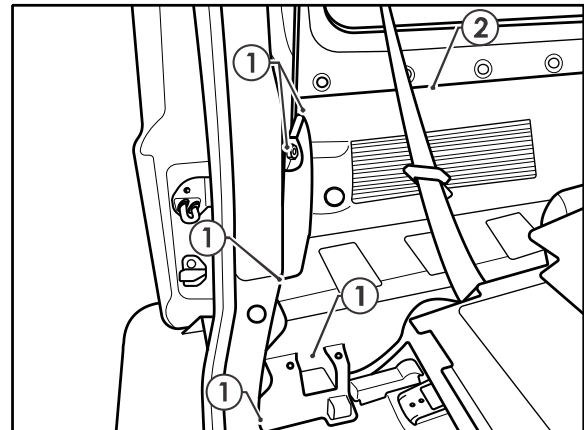


13. From the LHS front door, push the passenger seat forward (1).

14. Remove the trim clip (2) securing the LHS trim.

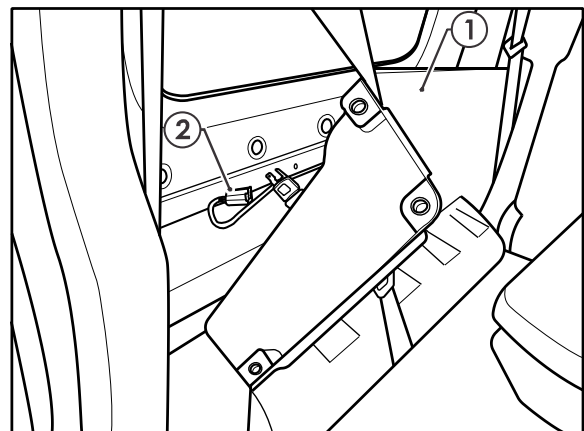


15. From the luggage compartment, remove the 5 push clips (1) securing the LHS trim (2).



16. Dislodge and lift up the LHS trim (1).

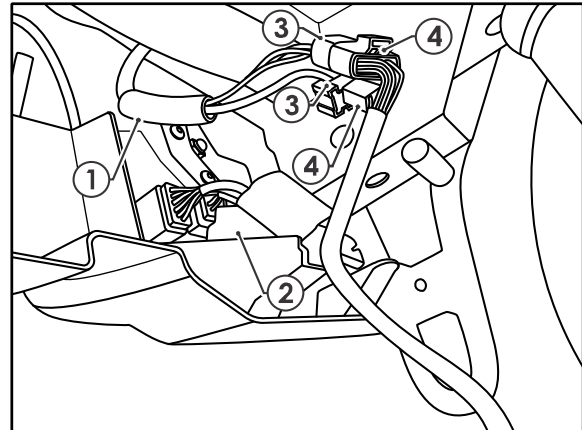
17. Remove the 12V electrical socket connector (2) if present.



18. Under the vehicle LHS, near the tow hook, locate the vehicle bumper wiring (1).

19. Remove the shroud covering the connectors (2).

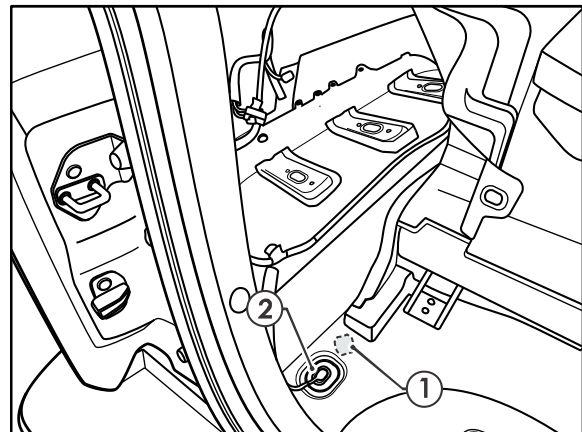
20. Disconnect the two vehicle bumper connectors (3) and patch in the mating connectors on the trailer patch (4) (102208-WL).



21. Inside the vehicle, drill a 30mm hole (1) next to the oval grommet (2) to enable the ECU connector to be routed inside the vehicle.

22. Remove all sharp edges ensuring no burrs are present.

23. Apply rust inhibitor to the sheet metal.
Note: Ensure grommet is seated correctly and makes a good seal.



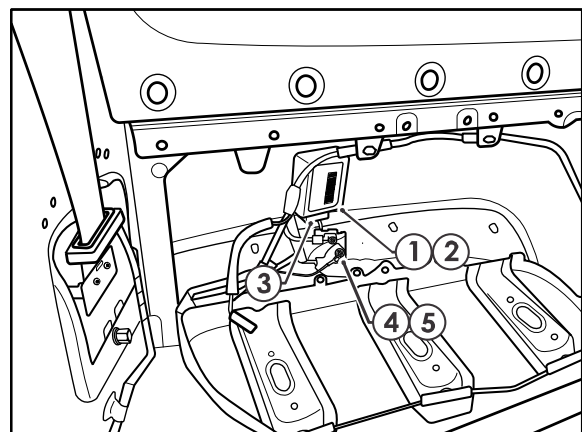
24. Using an alcohol wipe, clean the LHS inner sheet metal area (1) and the underside of the ECU (04826) (2).

25. Connect the trailer patch 12-way connector (3) to the ECU.

26. Apply double sided tape to the ECU (2) and secure it to the vehicle sheet metal.

27. Connect the ground wire ring terminal (4) to the vehicle earthing point (5).

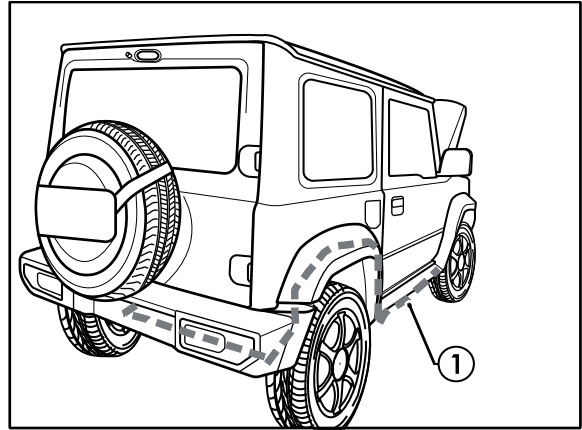
Note: Mount the ECU, ensuring the connector is orientated downwards.



28. Under the vehicle, route the power wire ring terminal (1) across the towbar to the RHS.

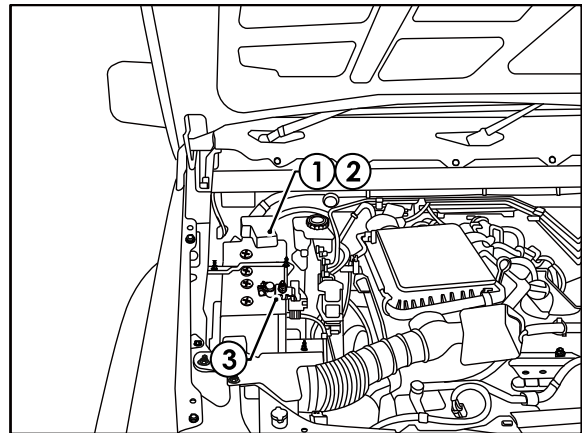
29. Continue routing the power wire towards the vehicle battery in the RHS of the engine bay.

Note: Keep harness routing clear of all sharp edges, moving parts and places of extreme heat.



30. In the engine bay, connect the ring terminal (1) to the positive terminal (2) on the battery.

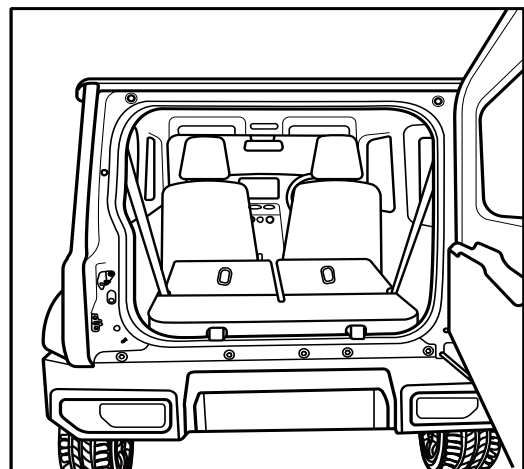
31. Reconnect the negative terminal (3).



32. With the rear bumper removed, secure tail harness to towbar.

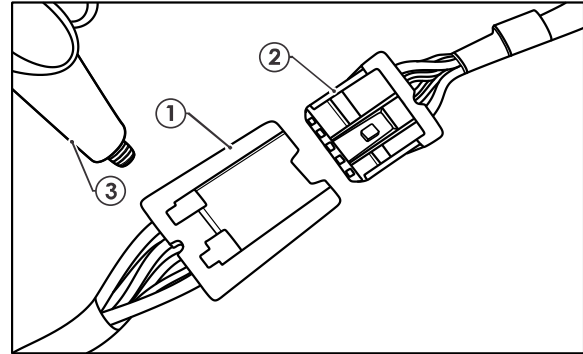
33. Route tail harness (tail length 400mm) towards the blue connector on the trailer patch.

Note: Keep harness routing clear of all sharp edges, moving parts and places of extreme heat.



34. Connect the tail harness (tail length 400mm) 8-way connector (1) to the trailer patch mating 8-way connector (2).

35. Apply silicone grease (not supplied) (3) to waterproof connector.



36. Test the trailer patch function using a light board or multi-meter.

37. Re-fit all removed parts and secure all fasteners, ensuring there are no squeaks or rattles.

38. Place the fitting instructions in the glove box after fitment.



CUSTOMER INFORMATION

PLACE THESE INSTRUCTIONS IN THE
VEHICLE'S GLOVEBOX AFTER INSTALLATION

**THANK YOU FOR PURCHASING TRAILBOSS. WITH CORRECT MAINTENANCE AND CARE
THIS PRODUCT WILL PROVIDE A LIFETIME OF TROUBLE-FREE OPERATION.**

TOWBAR MAINTENANCE AND CARE:

1. Trailboss recommend that the towbar LUG or TBM (Trailer Ball Mount) Pull Pin and R-clip are removed and stored when not in use. Removal of LUG or TBM (Trailer Ball Mount) is advisable when not in use to assist with any of the following.
 - Ensure rear number plate is not obscured.
 - Allow maximum available departure angle and prevent any potential interference.
 - Prevent possible interference with vehicles reverse sensors or camera detecting a tow ball mount as an obstruction during reversing.
 - Removes towball mount as an obstruction for when moving around the rear of the vehicle.
2. Trailboss recommends routine inspection of your towbar to ensure trouble free towing.
 - Bolt security and tension should be regularly inspected and checked for correct tension. Replace any worn or defective parts with suitable grade & class fasteners. Inspection should be requested to coincide with vehicle major services.
3. It is the owner's responsibility to ensure towing and down ball weight capacities of the towing vehicle are not exceeded.
 - Towing and down ball weights allowable may differ according to model variations. Please refer to owner's manual or vehicle dealer to confirm exact rating for your vehicle model variant.
 - It is not uncommon for the vehicle tow rating to differ from the towbar rating. When this occurs, the lesser rating must be adhered to.
 - For vehicles fitted with enhanced vehicle functions that may be altered/changed when towing i.e Trailer sway mitigation, blind spot detection, adaptive cruise control etc. Please consult owner's manual to understand changes enabled when towing and after towing.

WARRANTY INFORMATION:

Trailboss Towbars are covered by a Lifetime Warranty.

Our goods come with guarantees that cannot be excluded under the Australian Consumer Law. You are entitled to a replacement or refund for a major failure and for compensation for any other reasonably foreseeable loss or damage. You are also entitled to have the goods repaired or replaced if the goods fail to be of acceptable quality and the failure does not amount to a major failure.

For further details please contact customer service on 1800 812 017.

PRO SERIES SILENT ANTI-RATTLE HITCH PIN

Your Trailboss towbar is equipped with a Pro Series Silent Anti-Rattle Hitch Pin technology to help reduce towbar tongue rattle in most driving conditions. Please ensure below instructions are understood and routine maintenance is carried out to ensure best towing experience.

Regularly inspect for wear and check the tightness of the Silent Anti-Rattle Hitch Pin. Follow instructions below to re-tighten the nut as necessary when movement and noise in the tow ball mount is noted.

- Before towing, ensure R-Clip is properly installed and hitch pin nut is installed and tensioned. Replacement parts are available from your Pro Series Distributor.

TOWBALL MOUNT REMOVAL/INSTALLATION

STEP 1

Insert Trailer Ball Mount (TBM) (a) into towbar hitchbox (b), aligning hole in TBM shank (c) with hole in hitchbox (d) (Fig. 1)

STEP 2

Insert Silent Anti-Rattle Hitch Pin (e) through hole in hitchbox and hole in TBM shank (g); ensure the locators are inserted into the notches in the hitchbox (Fig. 2)

STEP 3

Screw Silent Anti-Rattle Hitch Pin Nut (f) onto Smart Pin (g); tighten Smart Pin Nut until finger tight, ensuring TBM is restrained from up and down movement.

STEP 4

Tighten Silent Anti-Rattle Hitch Pin Nut by turning nut a further 1/8th of a turn in the clockwise direction using a 24mm spanner (Fig. 4).

STEP 5

Install Silent Anti-Rattle Hitch Pin R-Clip through the hole that provides best clearance or easiest access. (Fig. 5)

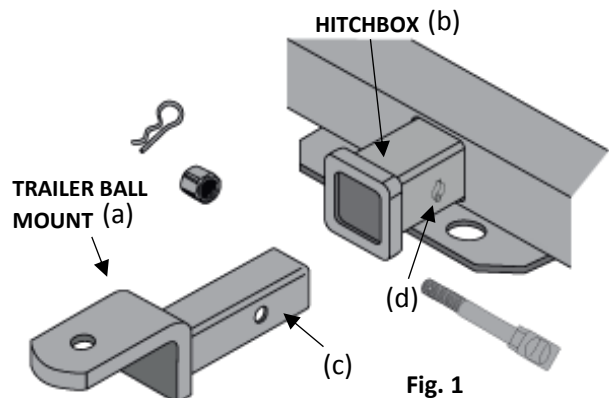


Fig. 1

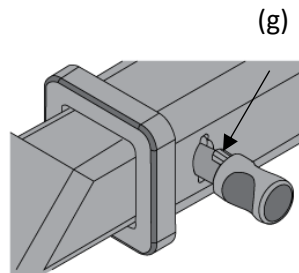


Fig. 2

SILENT ANTI-RATTLE HITCH PIN NUT (f)

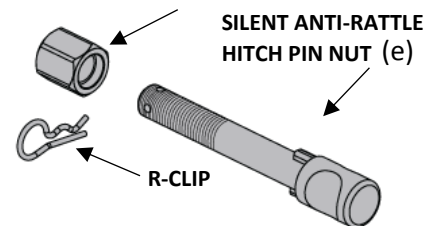


Fig. 3

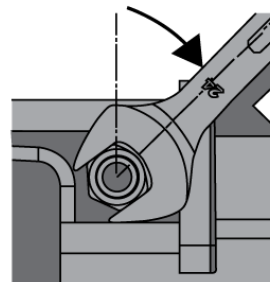


Fig. 4

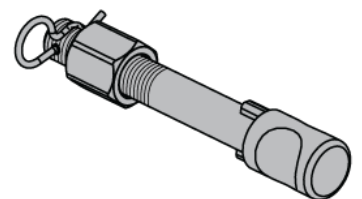


Fig. 5