

**PRODUCT DETAILS:**

---

<b>Part Number:</b>	QTSY306L	<b>Maximum Towing Braked:</b>	3500	kg
<b>ECU Number:</b>	04835	<b>Maximum Towing Unbraked:</b>	750	kg
<b>Tail Harness Length Required:</b>	1200 mm	<b>Maximum Static Ball Load:</b>	350	kg
<b>TBM/Lug Part Number:</b>	21342			

---

**FITTING DETAILS:**

---

<b>Towbar Installation Time:</b>	60 Mins.	<b>RPA Disable/Other:</b>	YES
<b>Total Installation Time:</b>	90 Mins.		
<b>Bumper Cut Required:</b>	Yes		

---

**Note:**

- Use 04934 for RPA disable.

### TRAILBOSS RECOMMENDS THAT INSTRUCTIONS ARE READ AND UNDERSTOOD COMPLETELY PRIOR TO FITMENT.

#### BEFORE YOU START:

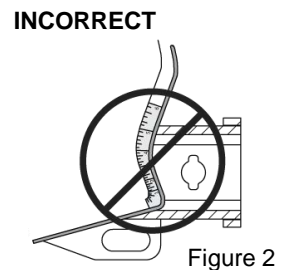
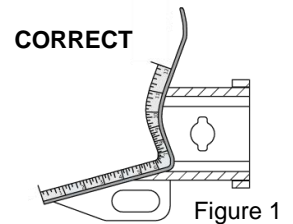
Check all hardware items have been included refer to assembly diagram.  
Please ensure this towbar is only fitted to vehicle models as per Trailboss application guide.

#### Bumper Cuts

Vehicle and bumper variations can and do occur during vehicle manufacture after initial towbar design. Fitment of towbar to vehicle and accuracy of bumper cut must be assessed prior to any bumper modifications made. Incorrect bumper cuts are not covered under Trailboss warranty.

**NOTE: Bumper cuts need to be approached with care, refer to notes below.**

- Bumper centreline – where the centreline of the bumper needs to be determined, the installer must assess centre point by measurement of bumper width or determining two symmetrical reference points to give centreline.
- Bumper edge – To assist with accurate bumper cut measurement, reference to the start of the bumper edge is now being commonly used.
  - Measure from bottom edge along bumper and around corner to the 70 mm point (Figure 1).
  - Do not measure from visible bumper front of corner, upwards (Figure 2).



#### Drilling

- For any required drilling during installation, ensure that the area is clear of fuel, electrical & other components that may be damaged.
- All holes drilled into metal body panels shall have all burrs & swarf removed then coated with a suitable rust preventative paint.

#### Bolts/Fasteners

- Ensure that all hardware is fastened to correct torque as specified in this fitting instruction.
- All fasteners supplied with this product are used to achieve a specified clamp loading. If replacement is required ensure that fasteners of the same grade and class are used.

**NOTE: Achieving correct torque is critical to proper installation and responsibility of the installer. Towbar failures attributed to tension issues from over tightening or under tightening are not covered by Trailboss warranty.**

#### Product Labels

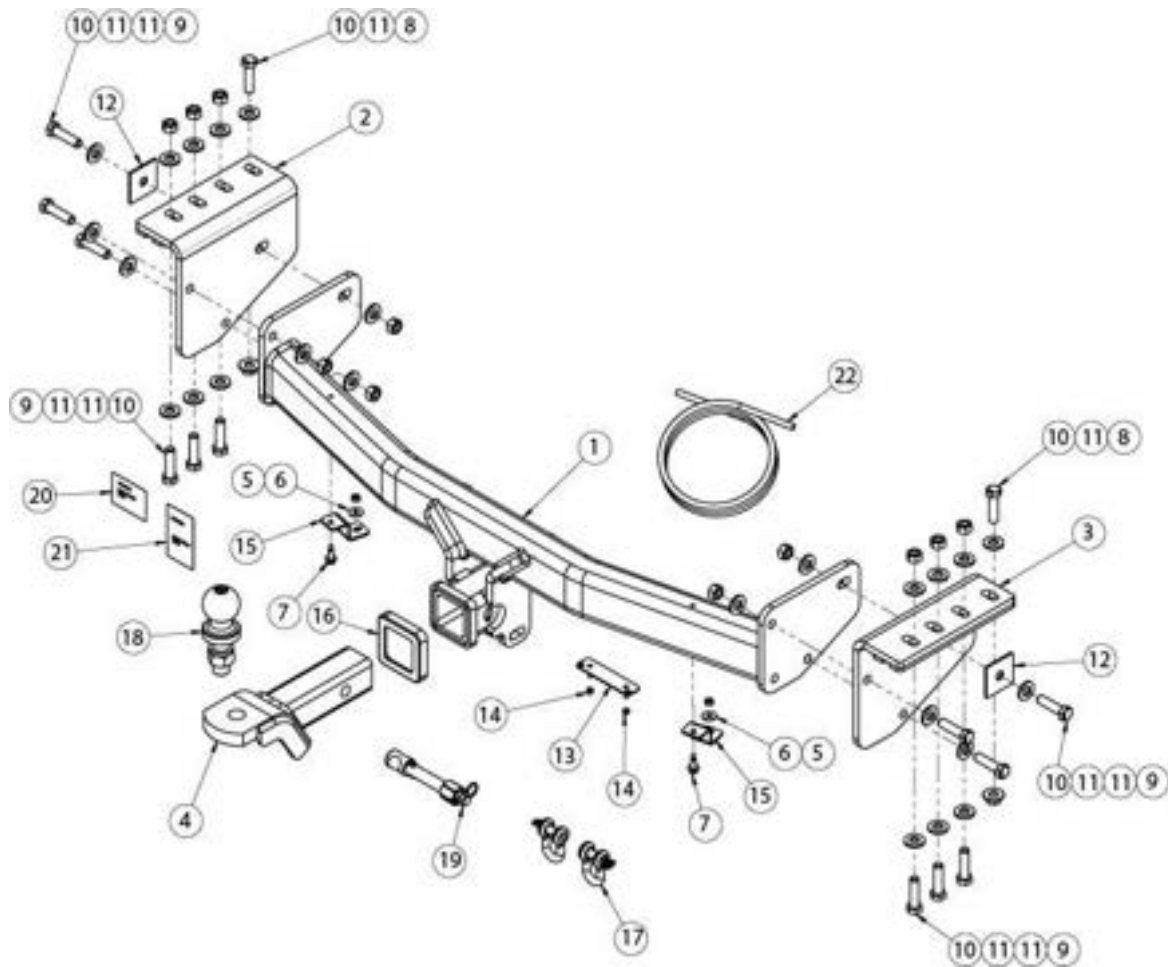
- a. Towbar load rating sticker provided with this product shall be conspicuously located on inside rear end of the driver's door.

#### WARNING:

**Do not, drill, cut, weld or otherwise modify the towbar.**

**FOR TOWING PURPOSES ONLY - This towbar is designed and tested by Trailboss to adhere to ADR 62/02 which provides only for the expected load demands of towing.**

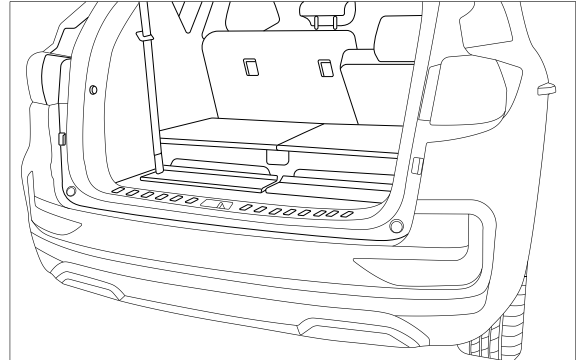
### **i** TOWBAR ASSEMBLY DIAGRAM



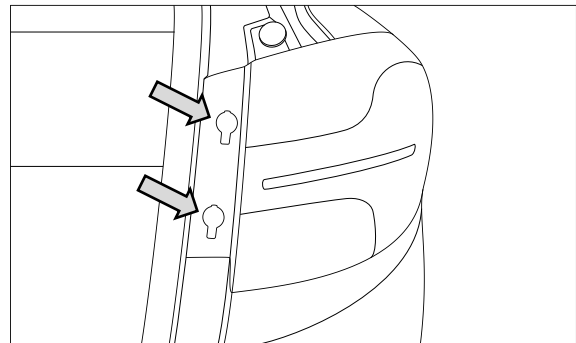
ITEM	DESCRIPTION	QTY
1	SSANGYONG REXTON TOWBAR	1
2	SIDE ARM LHS ASSY	1
3	SIDE ARM RHS ASSY	1
4	TRAILER BALL MOUNT	1
5	NUT HEX HD M6x1.0P	2
6	WASHER PLAIN 1/4x3/4x16	2
7	TEK SCREW 14-20 HEX HD 22mm	2
8	NUT FLANGED HEX HD M12x1.25P	2
9	NUT HEX HD M12x1.25P	12
10	SET SCREW HEX HD M12x45x1.25P	14
11	WASHER PLAIN 1/2"	26

ITEM	DESCRIPTION	QTY
12	LOOSE PLATE	2
13	PLUG BRACKET	1
14	NUT NYLOC HEX HD M4x0.7P	2
15	BUMPER BAR TAB	2
16	HITCH BOX COLLAR COVER	1
17	"D" SHACKLE 10mm	2
18	TOWBALL 50mm	1
19	SMART PIN SILVER	1
20	COMPLIANCE LABEL	1
21	LOAD RATING LABEL	1
22	WIRING LOOM	1

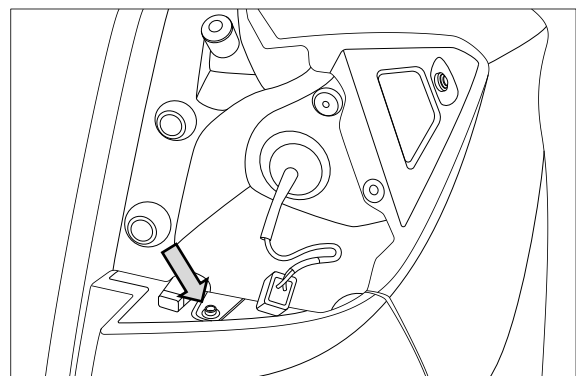
1. Open tail gate.



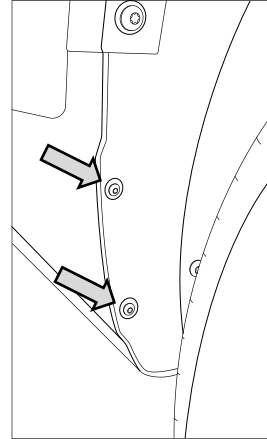
2. Remove taillights 2 x screws under covers.  
**RHS shown repeat for LHS**



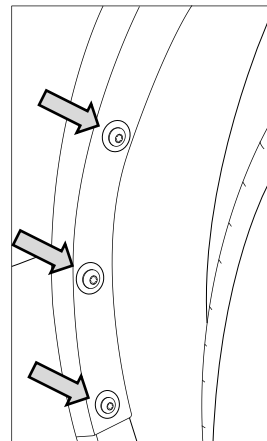
3. Remove 1 x screw holding bumper bar in taillight cavity.  
**RHS shown repeat for LHS**



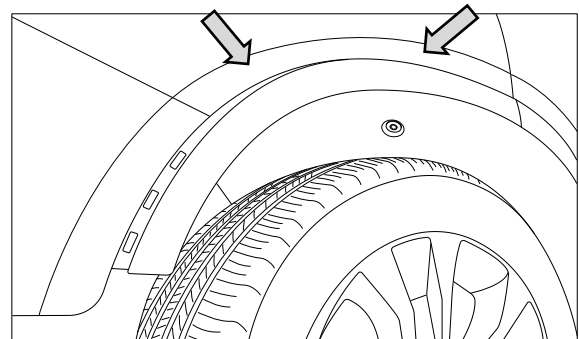
- 
4. Remove 2 x screws securing wheel arch cover.  
RHS shown repeat for LHS



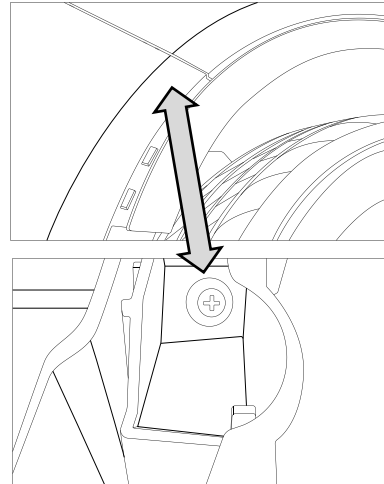
- 
5. Remove 1 x screws and 2 x scrivet securing wheel arch trim.  
RHS shown repeat for LHS



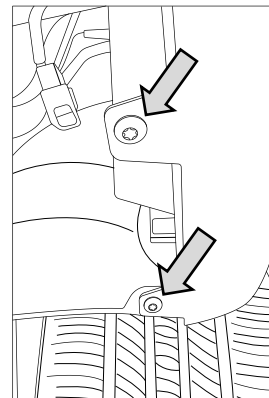
- 
6. Un-clip wheel arch cover.  
Care must be taken not to damage clips fixing cover to body.  
RHS shown repeat for LHS



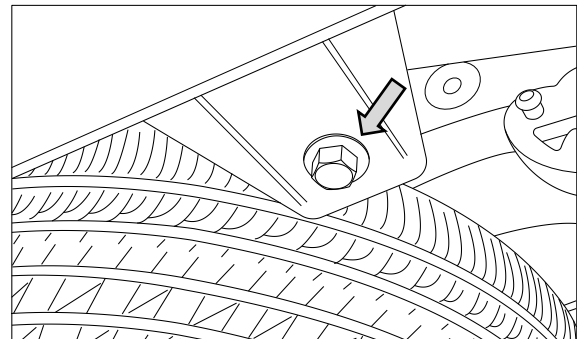
- 
7. Remove 1 x screw holding tip of bumper bar to body.  
RHS shown repeat for LHS



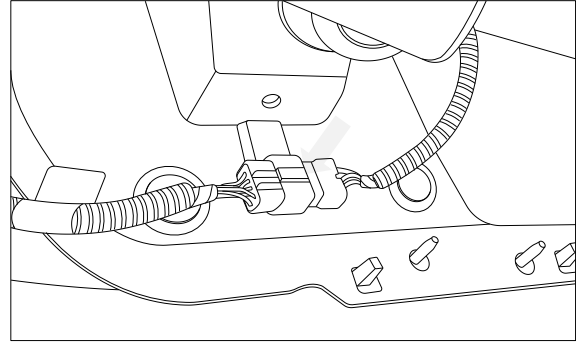
- 
8. Remove 2 x scrivets bottom edge of bumper bar.  
RHS shown repeat for LHS



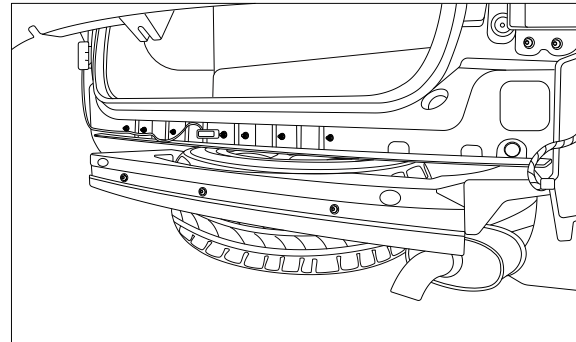
- 
9. Remove bolt bottom edge of bumper bar.  
RHS shown repeat for LHS



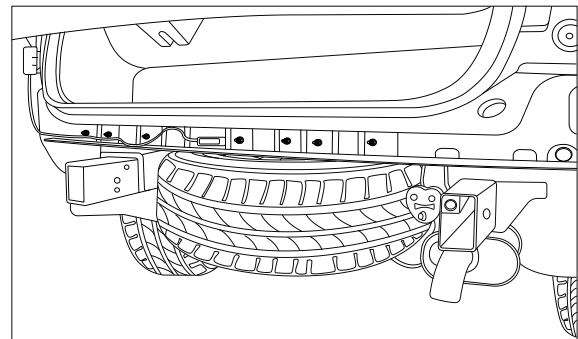
- 
10. Unplug electrical connection LHS inner wheel arch.



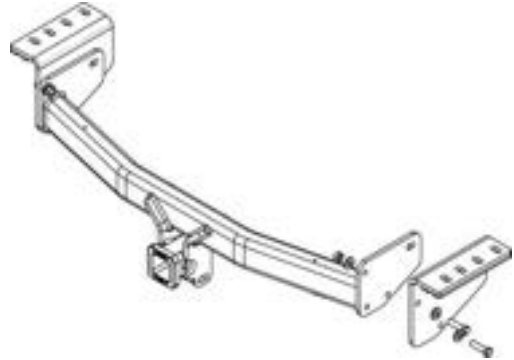
- 
11. Carefully remove rear bumper trim from vehicle. Seek assistance when removing.



- 
12. Remove impact beam from vehicle chassis by removing 2 x bolts located at each chassis rail. Discard impact beam and bolts after removal



13. Loosely assemble towbar on the ground.  
Attach side arm assembly's LH & RH to towbar with items 10, 11 & 9. M12 x 45 set screw, M12 flat washers and M12 hex nut.

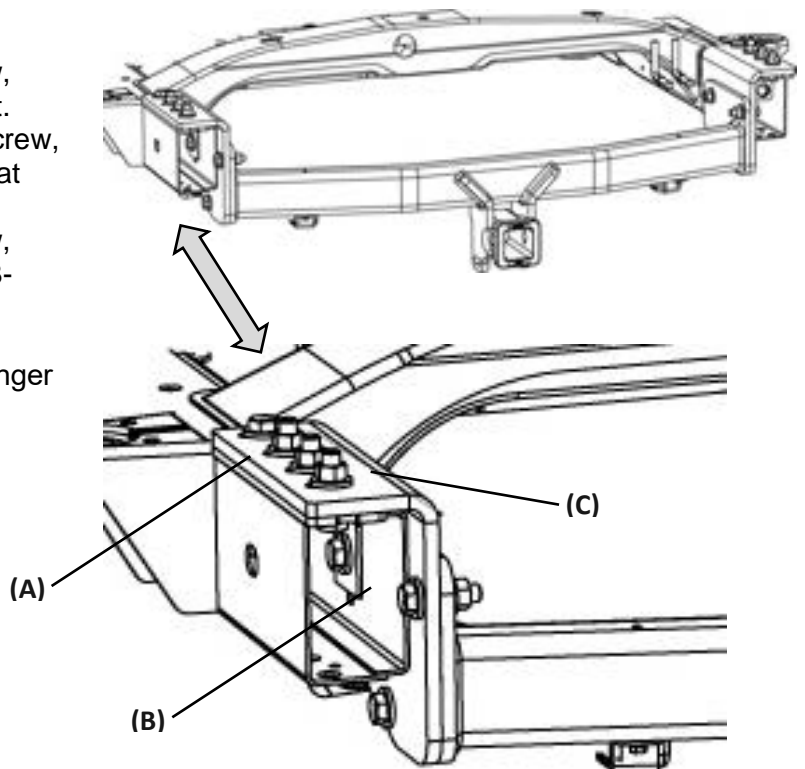


14. Offer towbar to vehicle and attach.

- (A) Items 11, 10 & 8. M12 x 45 set screw, M12 flat washer and M12 flanged nut.
- (B) Items 10, 11, 12 & 9. M12 x 45 set screw, M12 flat washers, loose plate, M12 flat washer & M12 hex nut.
- (C) Items 10, 11 & 9. M12 x 45 set screw, M12 flat washers and M12 hex nut (3-places).

Driver's side shown repeat for passenger side.

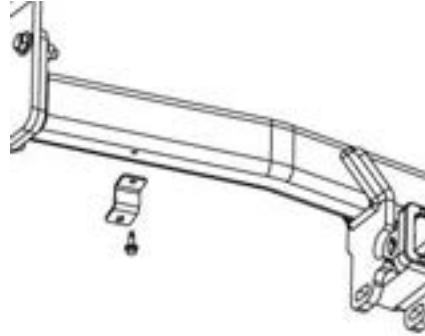
Torque all M12 fasteners to 125 Nm





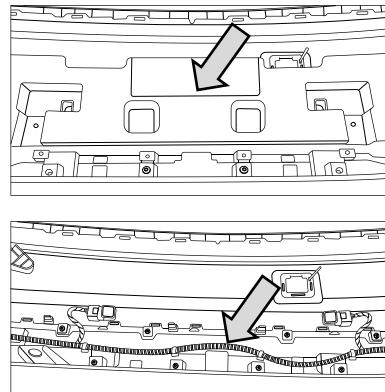
- 
15. Fit item 2 bumper bar tab to towbar with item 7 tek screw.

Driver's side shown repeat for passenger side.

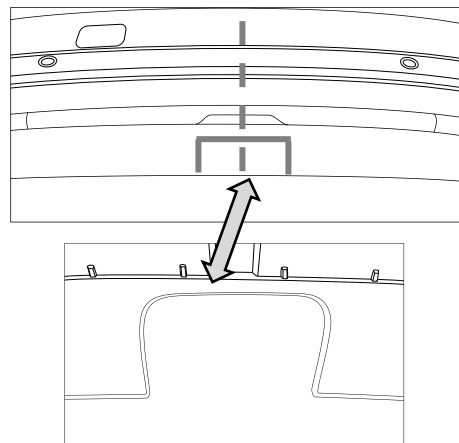


- 
16. Remove foam insert from bumper bar.

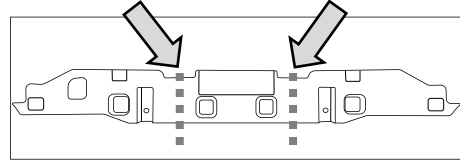
**Unclip and move away wiring harness crossing bumper bar before making any cuts.**



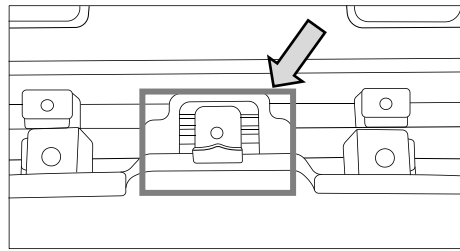
- 
17. Find centre of bumper bar, measure, and mark 95mm wide and 58mm deep from the bottom edge of bumper bar.



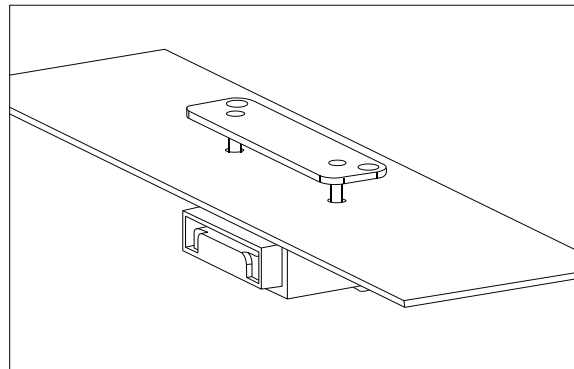
18. Cut into foam section as shown.  
Discard centre section and refit the ends.



**Inner bumper bar will need to be opened to clear towbar droppers.**

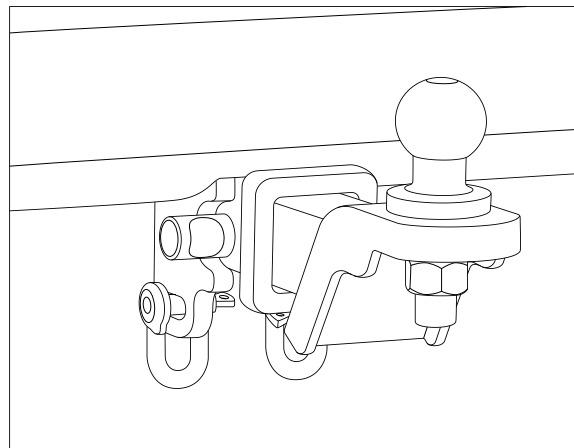


19. At an appropriate position (LH side of hitch box) on the bumper, mark out and drill 2x  $\varnothing 5\text{mm}$  holes 69mm apart on bumper skin to support plug bracket.



20. Refit bumper bar and taillights.

Reattach bottom skirt of bumper bar to tabs on towbar with M6 shoulder bolts from vehicle and items 19 & 20, M6 nut &  $\frac{1}{4}$ " flat washer.

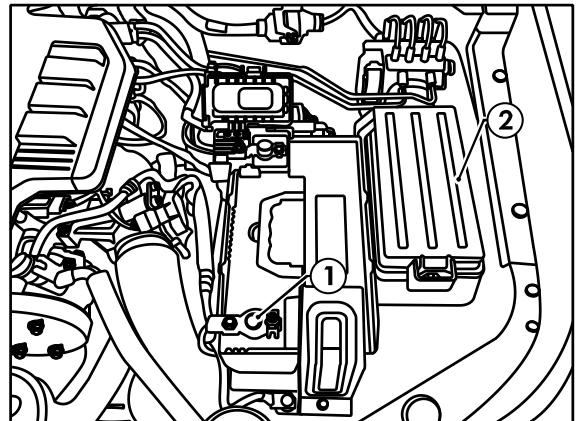


---

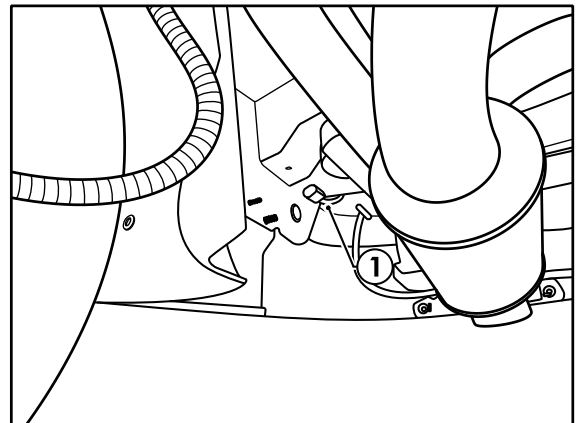
### IMPORTANT

Due to possible vehicle variations, always confirm any noted vehicle colour wires with a multi-meter to ensure the correct function is identified before soldering or scotch locking. For vehicle wires denoted with two colours (example; RED/GREEN) the first colour will always be the main wire colour while the second colour is the thinner trace colour on the wire.

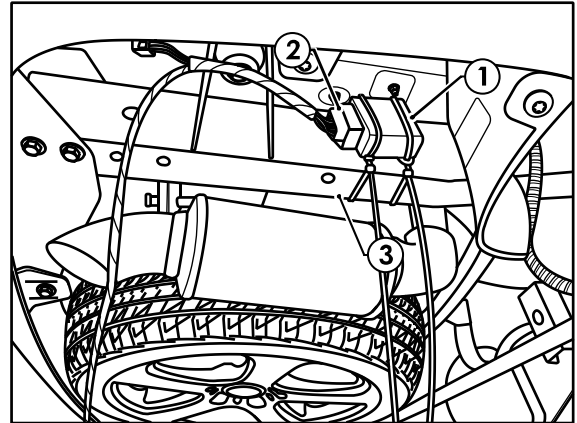
- 
21. In the Engine Bay, disconnect the vehicle battery negative terminal (1).
  22. Remove the cover off the fuse block (2).



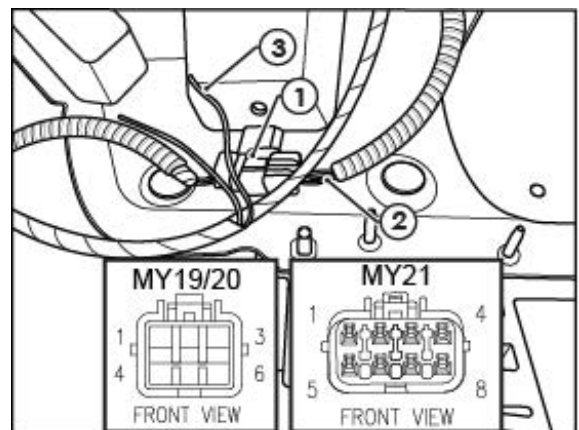
- 
23. Under the vehicle right hand side, remove vehicle 6-way pre-wire blanking plug connector (1) attached to the chassis.
  24. Connect the vehicle 6-way pre-wire connector to the mating connector on the trailer patch (102639-WL).



25. Route the ECU connector towards the chassis rail.
26. Connect the waterproof ECU (04835) **(1)** to the ECU connector **(2)** on the trailer wiring harness.
27. Secure the ECU to the chassis rail **(3)** in front of the chassis mount.



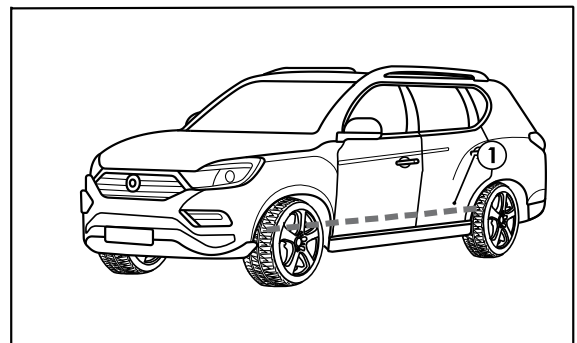
28. Route the trailer patch across to the left-hand side chassis mount.
29. For vehicles with reverse sensors, under the vehicle left hand side behind the rear left wheel, locate the vehicle bumper connector **(1)** attached to the chassis.
30. On the vehicle side, cut the BLACK RPA ground wire **(2)** (MY19/20 - Pin 6, My21 – Pin 8) and strip, crimp, splice and seal the GREY and GREY/BLACK wires **(3)** to each side of the BLACK wire.



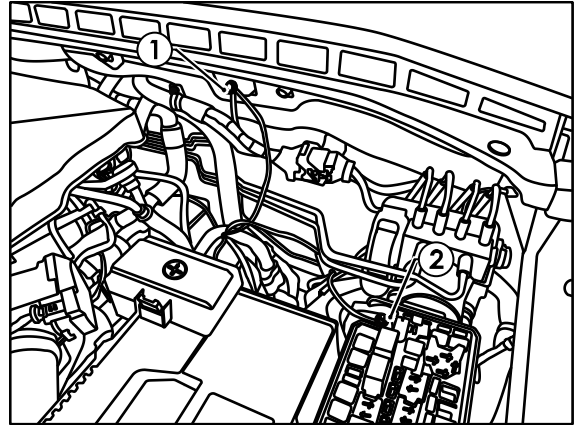
31. Route the power and ground wires **(1)** along the chassis rail towards the front of the vehicle.
32. Secure the harness to the vehicle chassis rail.

**NB: Keep harness routing clear of all sharp edges, moving parts and places of extreme heat.**

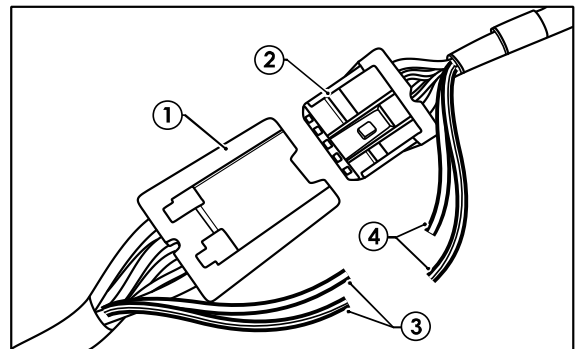
**NOTE: MY20 model pictured, routing path is same for MY21.**



33. In the engine bay, connect the M6 ground wire ring terminal to the vehicle earthing point **(1)** on the firewall.
34. Connect the M6 orange fused ring terminal to the fuse box positive stud **(2)**.
35. Reconnect the vehicle negative battery terminal.



36. At the rear of the vehicle RHS, connect the tail harness (tail length 1200mm) 8-way connector **(1)** to the trailer patch mating 8-way connector **(2)**.
37. Cut-off, crimp the tail harness GREY and GREY/BLACK wires **(3)** to the trailer patch matching GREY and GREY/BLACK wires **(4)**.



38. Test the trailer patch function using a light board or multi-meter.
39. Secure all harness using cable ties (not supplied).
40. Re-fit all removed parts and secure all fasteners, ensuring there are no squeaks or rattles.
41. Place the fitting instructions in the glove box after fitment.



## CUSTOMER INFORMATION

PLACE THESE INSTRUCTIONS IN THE  
VEHICLE'S GLOVEBOX AFTER INSTALLATION

**THANK YOU FOR PURCHASING TRAILBOSS. WITH CORRECT MAINTENANCE AND CARE  
THIS PRODUCT WILL PROVIDE A LIFETIME OF TROUBLE-FREE OPERATION.**

### **TOWBAR MAINTENANCE AND CARE:**

1. Trailboss recommend that the towbar LUG or TBM (Trailer Ball Mount) Pull Pin and R-clip are removed and stored when not in use. Removal of LUG or TBM (Trailer Ball Mount) is advisable when not in use to assist with any of the following.
  - Ensure rear number plate is not obscured.
  - Allow maximum available departure angle and prevent any potential interference.
  - Prevent possible interference with vehicles reverse sensors or camera detecting a tow ball mount as an obstruction during reversing.
  - Removes towball mount as an obstruction for when moving around the rear of the vehicle.
2. Trailboss recommends routine inspection of your towbar to ensure trouble free towing.
  - Bolt security and tension should be regularly inspected and checked for correct tension. Replace any worn or defective parts with suitable grade & class fasteners. Inspection should be requested to coincide with vehicle major services.
3. It is the owner's responsibility to ensure towing and down ball weight capacities of the towing vehicle are not exceeded.
  - Towing and down ball weights allowable may differ according to model variations. Please refer to owner's manual or vehicle dealer to confirm exact rating for your vehicle model variant.
  - It is not uncommon for the vehicle tow rating to differ from the towbar rating. When this occurs, the lesser rating must be adhered to.
  - For vehicles fitted with enhanced vehicle functions that may be altered/changed when towing i.e Trailer sway mitigation, blind spot detection, adaptive cruise control etc. Please consult owner's manual to understand changes enabled when towing and after towing.

### **WARRANTY INFORMATION:**

Trailboss Towbars are covered by a Lifetime Warranty.

Our goods come with guarantees that cannot be excluded under the Australian Consumer Law. You are entitled to a replacement or refund for a major failure and for compensation for any other reasonably foreseeable loss or damage. You are also entitled to have the goods repaired or replaced if the goods fail to be of acceptable quality and the failure does not amount to a major failure.

For further details please contact customer service on 1800 812 017.

## PRO SERIES SILENT ANTI-RATTLE HITCH PIN

Your Trailboss towbar is equipped with a Pro Series Silent Anti-Rattle Hitch Pin technology to help reduce towbar tongue rattle in most driving conditions. Please ensure below instructions are understood and routine maintenance is carried out to ensure best towing experience.

Regularly inspect for wear and check the tightness of the Silent Anti-Rattle Hitch Pin. Follow instructions below to re-tighten the nut as necessary when movement and noise in the tow ball mount is noted.

- Before towing, ensure R-Clip is properly installed and hitch pin nut is installed and tensioned. Replacement parts are available from your Pro Series Distributor.

## TOWBALL MOUNT REMOVAL/INSTALLATION

### STEP 1

Insert Trailer Ball Mount (TBM) (a) into towbar hitchbox (b), aligning hole in TBM shank (c) with hole in hitchbox (d) (Fig. 1)

### STEP 2

Insert Silent Anti-Rattle Hitch Pin (e) through hole in hitchbox and hole in TBM shank (g); ensure the locators are inserted into the notches in the hitchbox (Fig. 2)

### STEP 3

Screw Silent Anti-Rattle Hitch Pin Nut (f) onto Smart Pin (g); tighten Smart Pin Nut until finger tight, ensuring TBM is restrained from up and down movement.

### STEP 4

Tighten Silent Anti-Rattle Hitch Pin Nut by turning nut a further 1/8th of a turn in the clockwise direction using a 24mm spanner (Fig. 4).

### STEP 5

Install Silent Anti-Rattle Hitch Pin R-Clip through the hole that provides best clearance or easiest access. (Fig. 5)

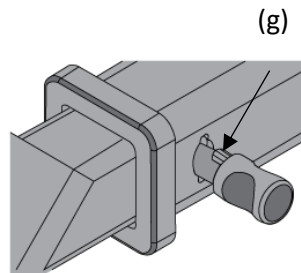
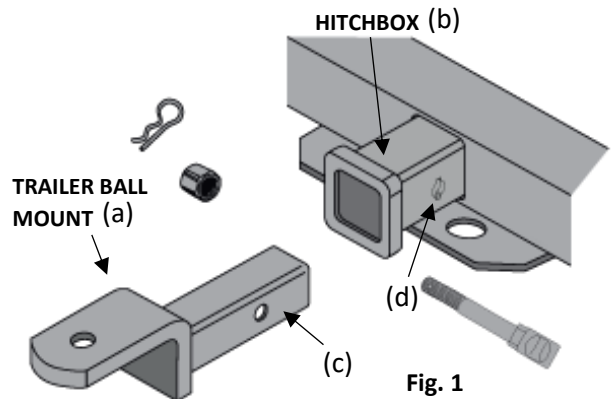


Fig. 2

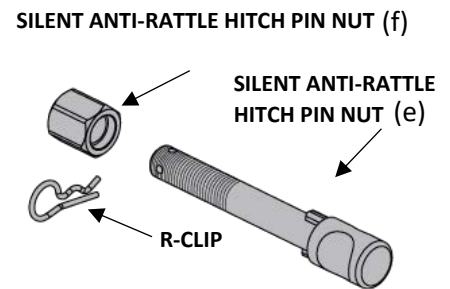


Fig. 3

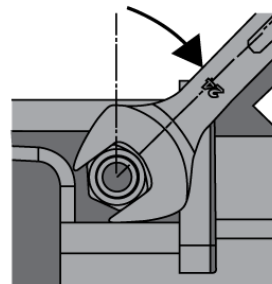


Fig. 4

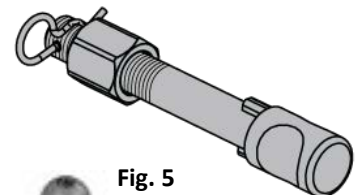


Fig. 5

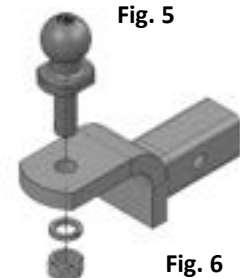


Fig. 6