

# TRAILBOSS

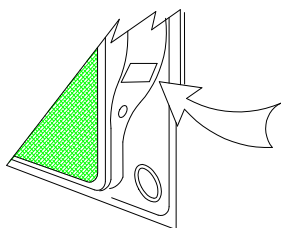
Towbar Fitting Instructions  
To Suit **VW AMAROK WITHOUT STEP** 06/2012 ON  
Part Number **QTVW210L**  
Rating **3000/300 kg**

## **WARNING:**

1. Do not, drill, cut, weld or otherwise modify the tow bar.
2. If you are using electric welding on a motor vehicle, **always** check that the vehicle is not equipped with electronic engine or instrument management equipment. Failure to do so could **destroy** any onboard computers. If in doubt, check with the vehicle's manufacturer.
3. The high tensile fasteners supplied with this product were used to achieve the specified rating. If replacement is required ensure that fasteners of the same rating & quality are used. Contact an authorised **Trailboss** dealer if further information is required.

## **General:**

1. Ensure all hardware items have been included refer to assembly diagram.
2. It is recommended that the instructions are read through and completely understood before making any attempt to fit this product.
3. Be wary of any changes to vehicle designs or other accessories that may conflict with the installation of this product.
4. Before drilling ensure that the area is clear of fuel, electrical & other components.
5. All holes drilled into the body panels shall have all burrs & swarf removed then coated with a suitable rust preventative paint.
6. For vehicles that require the bumper to be cut. Ensure cut out area is in correct position on the vehicle prior to cutting the bumper.
7. The high tensile fasteners supplied with this product were used to achieve the specified rating. If replacement is required ensure that fasteners of the same rating & quality are used. Contact an authorized **Trailboss** dealer if further information is required.
8. Ensure that all hardware is fastened to torque list below check fasteners on regular basis.
9. Tow bar load rating sticker provided with this product shall be conspicuously located on inside rear end of the driver's door. **(See diagram below).**
10. Trailboss recommends that you check your tow ball to ensure that it complies with the Australian standards **AS 4177.2.**
11. **PLEASE NOTE:** It is advised to remove your lug or tbm when not actually towing so as to produce a clear view of the vehicles registration plate if obscured, and to also provide maximum available departure angle
12. Pull Pin must be fit in down position.



Place load rating sticker  
inside driver's door here

**FOR TRAILER TOWING PURPOSES ONLY**  
For towing capacity details please refer to vehicle owner's manual or to the manufacturer. Overloading can void your warranties.

## **RECOMMENDED ASSEMBLY TORQUE LISTING**

<u>Diameter</u>	<u>Grade 8.8 Bolt</u>
M6	9.5 Nm
M8	21.7 Nm
M10	43.4 Nm
M12	77.3Nm
M14	146 Nm
M16	189.8 Nm

## **Tow bar Maintenance and Care.**

Trailboss recommends that bolt torque's, as listed below, are routinely and regularly inspected and checked for correct tension. Replace any worn or defective parts.

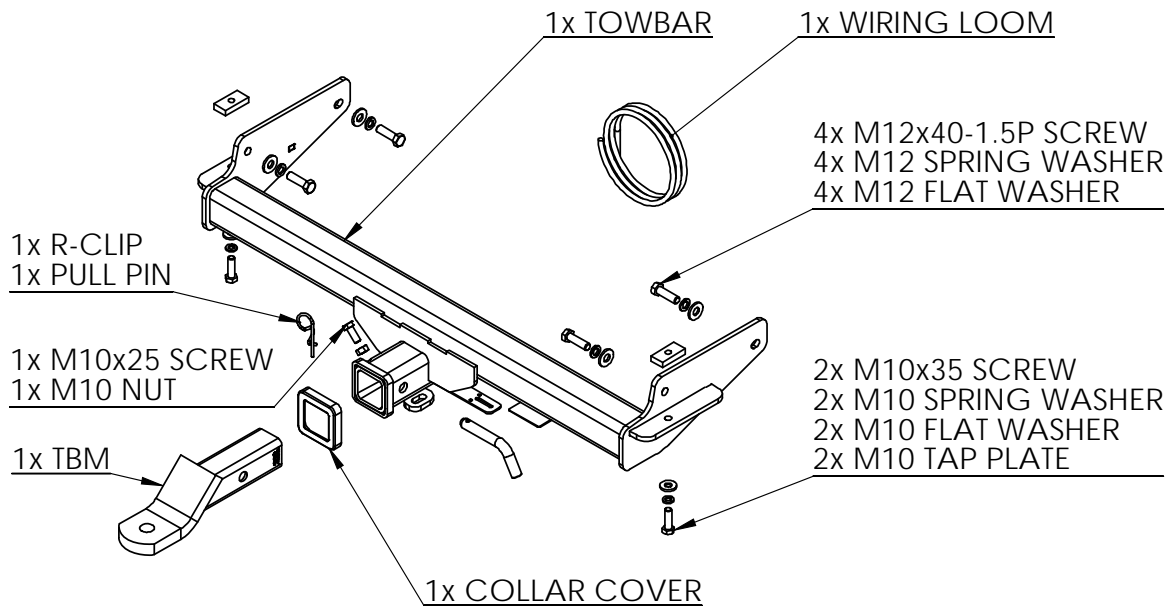
We recommended to remove Tow Ball Mounts (TBM's, tongues or lugs) when not being used for any considerable length of time.

So as to avoid injury, when not towing it is suggested that the tongue, Pull Pin and R-clip are removed then stored in a safe, clean and dry place, away from excessive moisture.

Hitch Pull Pins and spring "R" clips are regularly checked for proper installation. Replace any worn or defective parts.

# TRAILBOSS

Towbar Fitting Instructions  
To Suit **VW AMAROK WITHOUT STEP** 06/2012 ON  
Part Number **QTVW210L**  
Rating **3000/300 kg**



## Fitment of Towbar:

1. Fit towbar in-between chassis, ( aligning holes in both side plate & chassis )
2. Insert two M12 x 40-1.5p bolts, with spring washer and flat washer through side arm into chassis captive nuts, loosely tighten. ( Passenger and Driver side )
3. Insert one M10 x 35-1.5p bolt, with spring washer and flat washer through mount plate into chassis, secure with tapped plate, loosely tighten. ( Passenger and Driver side )
4. Torque all fasteners to specifications listed.



Wiring Loom Fitting Instructions  
To Suit Volkswagen Amarok  
Part Number 100540-WL

## Wiring Loom Installation Instructions

Volkswagen Amarok  
Part No: 100540-WL

ECU Required: WLT030  
Tail Harness Length Required: 400mm

Wiring Loom Installation Time: Approx 20 Mins



Wiring Loom Fitting Instructions  
To Suit Volkswagen Amarok  
Part Number 100540-WL

1. In the engine bay, locate the vehicle battery.
2. Route the power harness (04825) from the battery and down into the vehicle undercarriage.

**Note: Do not connect the power harness to the battery at this point.**

3. From underneath the vehicle, following the path of the brake and fuel lines, route the power harness from the engine bay down through to the chassis.

**Note: When routing any harnesses underneath the vehicle, ensure to avoid all moving parts, sources of heat and sharp objects.**

4. Route the power harness along the LHS chassis rail, following the path of the blue vehicle breather pipe towards the rear of the vehicle.
5. Continue to route the power harness along the LHS chassis rail, following the path of the blue vehicle breather pipe towards the rear of the vehicle.
6. From the outside of the vehicle, open the tailgate.
7. Remove the LHS tail light by first removing the two T30 torx bolts.

**Repeat the above step for the RHS.**

8. On the LHS of the tail gate, disconnect the tail light assembly connectors and connect the trailer patch connectors in between.
9. Route the trailer patch down through the LHS tail light cavity.
10. Following the path of the vehicle harness, route the trailer patch along the rear and towards the RHS of the vehicle.
11. Connect the 24-way waterproof ECU (WLT030) connector to the ECU.
12. Secure the ECU on the RHS of the spare wheel, onto the sheet metal using tek screws.
13. Continue to route the trailer patch towards the RHS of the vehicle, following the existing vehicle harness.
14. Connect the trailer patch ground ring terminal to the vehicle grounding point.
15. Connect the power harness 1-way connector to the trailer patch mating 1-way connector.



Wiring Loom Fitting Instructions  
To Suit Volkswagen Amarok  
Part Number 100540-WL

16. Following the path of the existing vehicle harness, route the trailer patch up into the RHS tail light cavity.
17. On the RHS of the tail gate, disconnect the tail light assembly connectors and connect the trailer patch connectors in between.
18. Mount the trailer socket to the towbar mounting bracket using M4 fasteners (not supplied).
19. Route the tail harness (Tail Length: 400mm) along the towbar towards the LHS of the vehicle and the trailer patch.
20. Bundle any excess tail harness and secure it in place using a cable tie (not supplied).
21. Connect the tail harness 8-way connector to the trailer patch mating 8-way connector.
22. Waterproof the back of the 8-way connectors using electrical grease or silicone.
23. Connect the 12v ring terminal from the power harness to the +12v side of the vehicle battery.
24. Test the trailer harness function using a light board or multi-meter.
25. Secure the all harnesses using cables ties (not supplied).
26. Re-fit all removed parts and secure all fasteners, ensuring there are no squeaks or rattles.
27. Place the instructions in the glove box after fitment.