



Towbar Fitting Instructions
 To Suit
 Renault Fluence 2011
 Part Number RE14L
 Rating 1000 kg

Warning:

Do not, drill, cut, weld or otherwise modify the towbar.
 If you are using electric welding on a motor vehicle, **always** check that the vehicle is not equipped with electronic engine or instrument management equipment. Failure to do so could **destroy** any onboard computers. If in doubt, check with the vehicle's manufacturer.

1. **General:** Ensure all hardware items have been included refer to assembly diagram.
2. It is recommended that the instructions are read through and completely understood before making any attempt to fit this product.
3. Be wary of any changes to vehicle designs or other accessories that may conflict with the installation of this product.
4. Before drilling ensure that the area is clear of fuel, electrical & other components.
5. All holes drilled into the body panels shall have all burrs & swarf removed then coated with a suitable rust preventative paint.
6. The high tensile fasteners supplied with this product were used to achieve the specified rating. If replacement is required ensure that fasteners of the same rating & quality are used. Contact an authorised **Trailboss** dealer if further information is required.
7. Ensure that all hardware is fastened to torque list below check fasteners on regular basis.
8. Towbar load rating sticker provided with this product shall be conspicuously located on inside rear end of the driver's door. **(See diagram below).**
9. Trailboss recommends that you check your tow ball to ensure that it complies with the Australian standards **AS 4177.2**.
10. **PLEASE NOTE:** It is advised to remove your lug or tbm when not actually towing so as to produce a clear view of the vehicles registration plate if obscured, and to also provide maximum available departure angle.

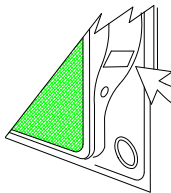
Tow bar Maintenance and Care.

Trailboss recommends that bolt torque's, as listed below, are routinely and regularly inspected and checked for correct tension. Replace any worn or defective parts.

We recommended to remove Tow Ball Mounts (TBM's, tongues or lugs) when not being used for any considerable length of time.

So as to avoid injury, when not towing it is suggested that the tongue, Pull Pin and R-clip are removed then stored in a safe, clean and dry place, away from excessive moisture.

Hitch Pull Pins and spring "R" clips are regularly checked for proper installation. Replace any worn or defective parts.



Place load rating sticker
 inside driver's door here

RECOMMENDED ASSEMBLY		
TORQUE LISTING		
Diameter	Grade 8.8 Bolt	
M6		9.5 Nm
M8		21.7 Nm
M10		43.4 Nm
M12		77.3 Nm
M14		146 Nm
....	

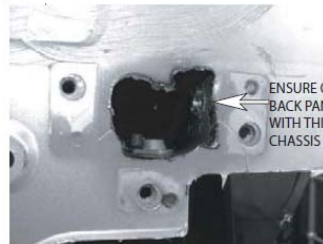
FOR TOWING PURPOSES ONLY
 For towing capacity details please refer to vehicle owner's manual
 or to the manufacturer. Overloading can void your warranties.

Towbar Fitting Instructions
To Suit
Renault Fluence 2011
Part Number RE14L
Rating 1000 kg

1. Place vehicle on hoist and lift to safe working height
2. Open rear boot lid to expose two bolts, holding rear light assembly.
3. Remove two bolts from each light assembly, and remove light assemblies. Keep assemblies in a safe place to avoid any damage.
4. Remove two scrivenets from the top of the rear bumper fascia.
5. Remove three torx screws (T20) from inside the rear wheel well on both sides.
6. Remove two torx screws (T20) from under the rear bumper fascia on both sides.
7. Remove three screws from under rear bumper fascia, and remove rear bumper fascia. Place bumper fascia on a safe place to avoid any damage.
8. Remove and discard the rear impact beam, by removing two M8 bolts from each side of the vehicle
9. Drill four holes on the RHS of the back panel. Starting from the holes drilled, cut back panel with a die grinder or similar tool to allow access to the chassis rail. Ensure that the opening on the back panel is flush with the inside surface of chassis rail.
10. Repeat step 9 on the LHS of the vehicle.
11. Mark hole centres on the outside of the RHS Chassis rail.
12. Using a suitable drill bit, drill holes on the marked centres.
13. Enlarge hole just drilled to 16mm, using a step drill bit.
14. Repeat steps 11 to 13 for LHS Chassis rail. NOTE: Apply anti-rust paint to all worked surfaces, before proceeding onwards.
15. Remove two bolts and lower rear muffler on the LHS of vehicle.
16. Insert towbar inside of chassis rail holes, loosely attach to RHS with M8 flanged bolts and washers.
17. Repeat same for LHS of vehicle.
18. Using M12 bolts and washers, secure the RHS chassis insert (from outside) via the 16mm holes drilled.
19. Repeat for LHS of vehicle.
20. Ensure towbar is square to vehicle, tighten all bolts to torque setting specified.
21. **Bumper Cut out** - From inside of bumper measure out 40mm each side, from centre line of bumper.
22. Measure from lower edge of bumper 150mm upwards.
23. Using a jig saw or suitable device, cut out the rectangular section (80mm wide x 150mm height)
24. Refit bumper bar, following steps 3 to 7 in reverse order of removal.

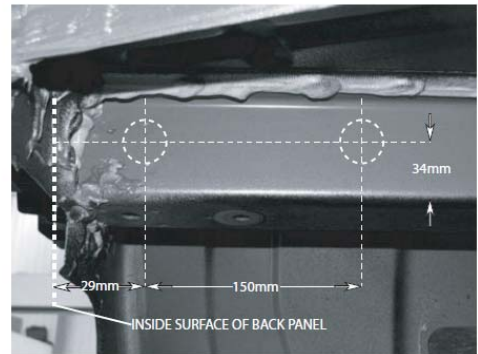


Drill holes on Back Panel



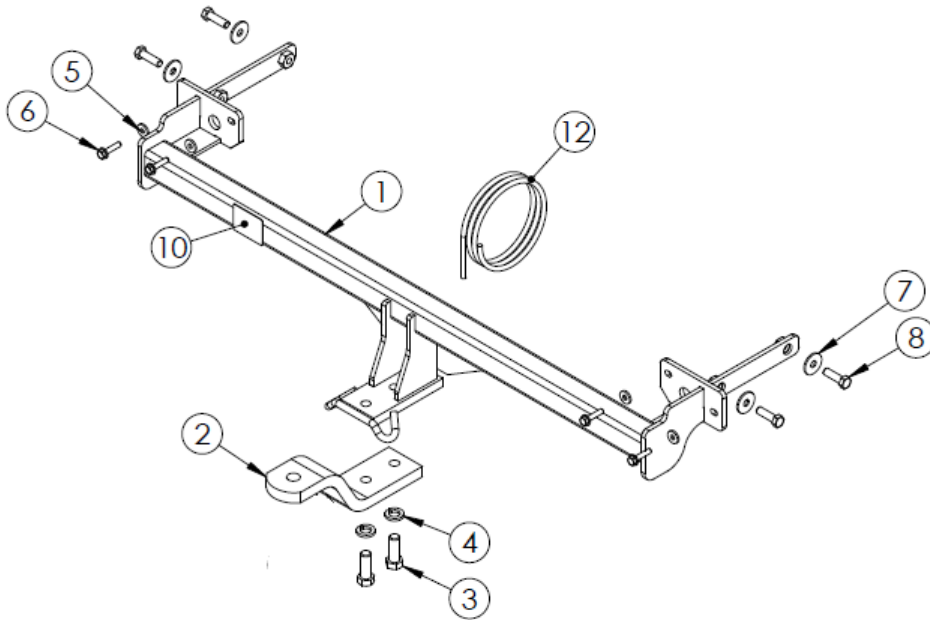
Cut Back Panel

ENSURE OPENING OF
BACK PANEL IS FLUSH
WITH THIS SURFACE OF
CHASSIS RAIL.



Drill holes on Chassis Rail.

Towbar Fitting Instructions
 To Suit
 Renault Fluence 2011
 Part Number RE14L
 Rating 1000 kg



QTY.	DESCRIPTION	ITEM NO.
1	WELDED ASSEMBLY	1
1	ASSEMBLY LUG 7364	2
2	M16 x 45 2.0P BOLT	3
2	M16 S/WASHER	4
4	M8 x 22 x 3.3mm FLAT WASHER	5
4	FLANGE BOLT M8 - 1.25 x 35mm GR12.9 z/p	6
4	WASHER FT M12 x 37 x 3mm	7
4	BOLT M12-1.75x40 GR8.8	8
1	FITTING INSTRUCTION	9
1	CP ACRYLIC LABEL	10
1	LRL	11
1	WIRING LOOM	12



Towbar Fitting Instructions
To Suit
Renault Fluence 2011
Part Number RE14L
Rating 1000 kg

Wiring Loom Installation Instructions

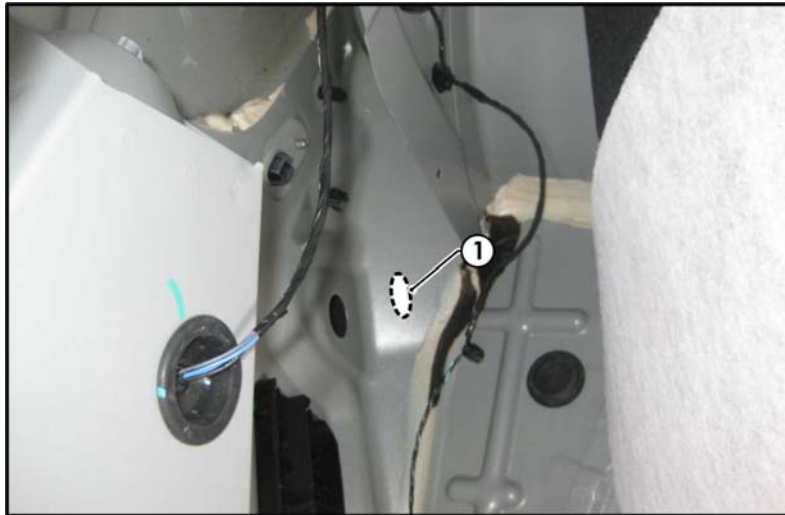
Renault X38 Fluence
Part No: 100549-WL

ECU Required: 04826
Tail Harness Length Required: 1800mm
RPA Override Switch Part No: 04848 (If Fitted)

Wiring Loom Installation Time: Approx 60 Mins

Towbar Fitting Instructions
To Suit
Renault Fluence 2011
Part Number RE14L
Rating 1000 kg

1. In the luggage compartment, remove the floor cover carpet.
2. Remove the luggage compartment rear trim.
3. Dislodge the LHS side trim by first removing the cargo hook. Repeat step for the RHS.
4. From the outside of the vehicle remove the LHS tail light by first removing the two fasteners and disconnecting the tail light connector. Repeat step for the RHS.
5. Dislodge the LHS tail light grommet and feed the LHS tail light connector through the grommet hole and into the vehicle luggage compartment. Repeat step for the RHS.
6. From the inside of the vehicle cabin, remove the LHS front scuff plate and the LHS kick panel.
7. Remove the LHS rear scuff plate and dislodge the LHS 'B' pillar trim.



8. In the LHS of the luggage compartment, drill a Ø31mm hole (1) in the vehicle sheet metal.
9. File any rough or sharp edges and spray on rust inhibitor.
10. Locate the RHS tail light 4-way male connector.
11. Connect the Trailer Harness (P/No: 100549-WL) 4-way female connector to the RHS tail light 4-way male connector.
12. Route the Trailer Harness 4-way male connector through the RHS tail light cavity. Ensure the Trailer Harness RHS tail light grommet is seated correctly and makes a good seal.
13. Connect the Trailer Harness 4-way male connector to the RHS tail light assembly.
14. Route the Trailer Harness along the rear of the luggage compartment and towards the LHS of the vehicle.



Towbar Fitting Instructions
To Suit
Renault Fluence 2011
Part Number RE14L
Rating 1000 kg

15. Locate the LHS tail light 4-way male connector.
16. Connect the Trailer Harness (P/No: 100549-WL) 4-way female connector to the LHS tail light 4-way male connector.
17. Route the Trailer Harness 4-way male connector through the LHS tail light cavity. Ensure the Trailer Harness LHS tail light grommet is seated correctly and makes a good seal.
18. Connect the Trailer Harness 4-way male connector to the LHS tail light assembly.
19. Locate the vehicle harness on the LHS boot hinge and using a multimeter, locate the vehicle reverse signal wire.
20. Following the table below, connect the ezy tap to the corresponding vehicle reverse signal wire and then connect the trailer harness wire terminal to the ezy tap.

Function	Trailer Patch	Vehicle Connector
REVERSE	BLACK / WHITE	PINK / BLUE

21. Connect the Trailer Harness 12-way connector to the ECU (04826).
22. Apply double sided tape to the ECU and adhere it to the vehicle inner sheet metal on the LHS of the luggage compartment.
23. Using a self tapping tech screw, secure the Trailer Harness ground ring terminal to the vehicle sheet metal on the LHS of the luggage compartment.
24. Route the Trailer Harness orange power wire along the LHS of the luggage compartment and towards the front of the vehicle.
25. Inside the vehicle cabin, open the glove compartment and remove the fuse panel cover.
26. Route the Trailer Harness orange power wire along the LHS of the vehicle, up along the kick panel area and into the glove compartment fuse panel area.
27. Using a multimeter, find a fuse location with 12v constant power. **Note: If the fuse location is occupied, first remove the vehicle fuse and insert it in the lower slot of the add-a-fuse harness.**
28. Insert the supplied 20-amp fuse into the upper slot of the add-a-fuse harness.
29. Plug the add-a-fuse harness into the fuse slot on the fuse panel.
30. Connect the 'ORANGE' power wire 1-way connector into the add-a-fuse harness mating connector.
31. Mount the trailer socket to the towbar mounting bracket using M4 fasteners (not supplied).
32. Route the tail harness across the towbar, towards the LHS of the vehicle and up through the previously drilled out hole



Towbar Fitting Instructions
To Suit
Renault Fluence 2011
Part Number RE14L
Rating 1000 kg

33. Ensure the tail harness grommet is seated correctly and secure in place using a cable tie (not supplied).
34. Test the Trailer Harness function using a Light Board or multi-meter.
35. Secure all Harnesses using cables ties (not supplied).
36. Re-fit all removed parts and secure all fasteners, ensuring there are no squeaks or rattles.
37. Place the instructions in the glove box after fitment.