

# Fitting Instructions



SKU

PRODUCT

**T2Z641**

## **TAG Standard Duty Towbar to suit Hyundai Tucson (05/2015 - 08/2018)**



T2Z641

Scan for latest  
version of these  
instructions

### SPECIFICATIONS

- Towbar Class: Standard Duty
- Towing Capacity: 1600kg

### IN THIS GUIDE

- Fitment Instructions
- Torque Settings
- Warranty Info

# Towbar Fitting Instructions



## Step-By-Step Instructions

### Warning:

Safety First: Always use correct safety equipment.

This towbar is NOT to be drilled, cut, welded or modified in any way.

Check the surrounding area before drilling into chassis or body panels for fuel lines, wiring harnesses and other components that may be a hazard.

### General:

Before fitting this towbar read fitting instructions and check installation hardware is correct.

Check that the towbar is suitable for the vehicle and be wary of any changes to the vehicle design that may conflict with the fitting of this towbar.

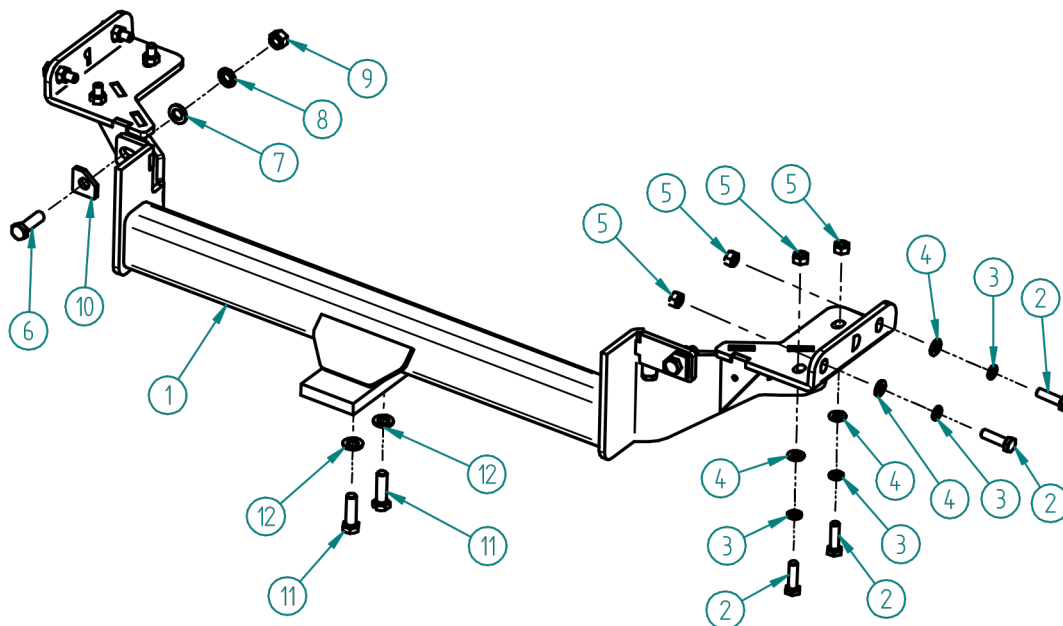
After drilling, blow any filings clear, remove any swarf and treat exposed metal with a rust inhibitor.

If this vehicle requires a bumper cut out, please check to make sure that you measure twice and check twice before cutting any panels as some bumper profiles can change.

If you are not sure then ask your towbar supplier.

Tighten all bolts as specified on the last page.

# Towbar Fitting Instructions



Scheme 1

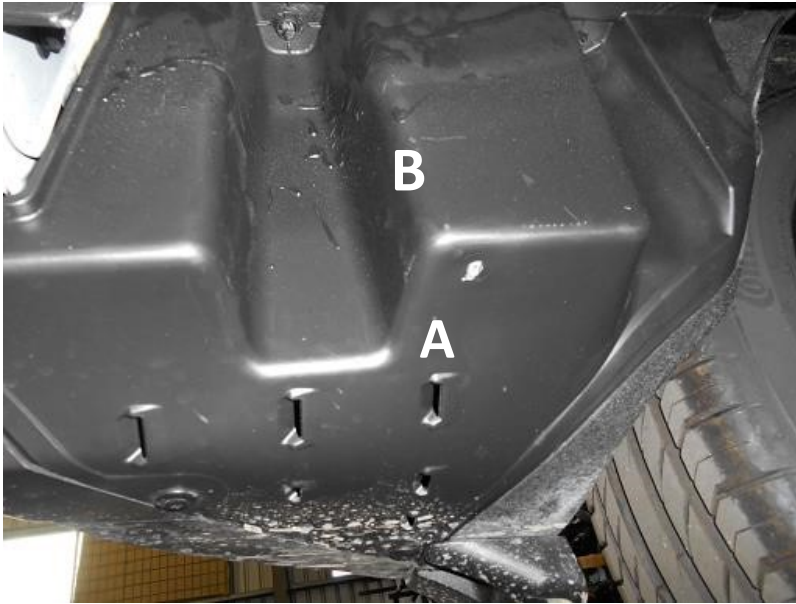
NB! Discard supplied M10 nuts

T2Z641 Hardware KIT	
Item	Quantity
1. Towbar	1
2. M10 x 30 x 1.25 pitch bolt	8
3. M10 shakeproof washer	8
4. M10 flat washer	8
5. M10 x 1.25 pitch nut	8
6. UNC 1 1/2 pitch bolt	2
7. UNC 1/2 shakeproof washer	2
8. UNC 1/2 flat washer	2
9. UNC 1/2 nut	2
10. Top plate	2
11. M16 x 40 x 2 pitch bolt	2
12 M16 spring washer	2
12. L201C tongue	1
13. Compliance plate	1
14. Door sticker	1

# Towbar Fitting Instructions



1.



Pic.1

1.1 Remove plastic shields by removing plastic scrivenets A and then pulling the shields downwards, off from the studs B as shown on Pic.1

2.



Pic.2.1



Pic.2.2

2.1 Undo muffler and tailpipe from the hanger rubber brackets as shown on Pic.2.1 and Pic.2.2

# Towbar Fitting Instructions



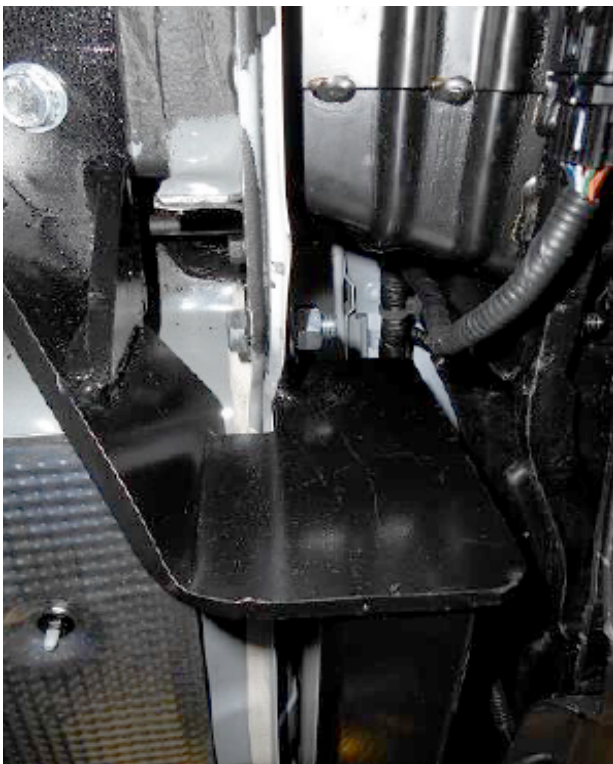
3.



Pic.3

3.1 Slide the towbar against the chassis rails and insert all fasteners as shown on Pic.3 and Scheme1 finger tight.

4.



Pic.4

4.1 Align ear brackets up with the hole and insert fasteners as shown on Pic.4 and Scheme1

4.2 Tighten all bolts as specified on the last page

5.

5.1 Fit supplied door sticker inside of the driver's door pillar

5.2 Fit supplied L201C tongue to the towbar

# Towbar Fitting Instructions



## Torque table for bolt tightening

<b>Metric GRADE 8.8</b>	<b>UNC GRADE 8</b>
M6 – 12.5 Nm	3/8 – 50 Nm
M8 – 30 Nm	1/2 – 125 Nm
M10 – 60 Nm	5/8 – 245 Nm
M12 – 103 Nm	
M14 – 167 Nm	
M16 – 270 Nm	

## TAG Warranty Statement

SWD warrants your TAG Towbar for its full product life under the following conditions:

- You can show proof of purchase.
- The towbar has been correctly installed by a suitably qualified installer.
- The towbar has not been modified or abused in any way and has only been used for the purpose intended.
- The towbar was not fitted second hand to your vehicle.

The extent of this warranty includes materials and workmanship used in the manufacture of the towbar and is to the equivalent value of current, full replacement cost.

Nothing stated or implied in this warranty limits in any way, the statutory rights that you may have.

To make a claim visit the original installer in the first instance or, if you are unable to or are not satisfied with their help, then contact us direct by phone on 1300 669122 or visit [www.swd.com.au](http://www.swd.com.au)